

## Englefield Standard Bath Screen

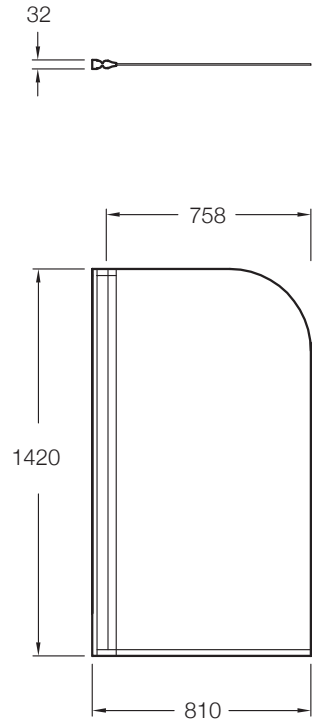
Save space by installing your shower over bath and keep water inside with a clean-looking glass screen that is simple to install and easy to clean.



Note: Tapware and accessories illustrated are not included

- Colour/Finish** White hinge
- Material** 6mm toughened safety glass
- Features** Fully reversible glass door for use at either end of the bath.  
Screen pivots both ways for easy cleaning and access to taps.  
Flexible drip edge seal to deflect water inwards.  
Full length hinge makes it strong and easy to install.
- Optional Accessories** Acrylic bath  
40mm bath waste  
Duracryl Bath Wall 1450mm height (flat or moulded)  
Adhesive pack  
flat pack timber bath frame  
Apron panel  
Bath Pillow
- Screen Height** 1420mm

Product	800 x 1420mm	
Bath Screen	C0655A-0	
1520mm Duo Bath Combo*	45917A-0	Flat Wall
	23823A-0	Corner Contour Plus Wall
	31220A-0	Side Recessed Wall
1670mm Duo Bath Combo*	45916A-0	Flat Wall
	23822A-0	Corner Contour Plus Wall
	31219A-0	Side Recessed Wall



\*Combo includes: Duo II acrylic bath, 2-sided bath wall, Standard bath screen and adhesive pack\*\*.  
\*\*Adhesive pack supplied in NZ only.

All measurements shown are in millimetres.  
Sizes are approximate.  
1183711-A04-C November 2020



Trusted in New Zealand Since 1982

**New Zealand**  
133 Diana Drive, Glenfield, Auckland, NZ  
PO Box 100-146 NSMC, Auckland, 0745  
Ph: 0800 100 382 Fax: 0800 66 44 88  
www.Englefield.co.nz

**Australia**  
PO Box 154, Clifton Hill, Vic 3068  
Ph: 1800 ENGLEFIELD (1800 364 533)  
www.Englefield.com