

INSTALLATION INSTRUCTIONS

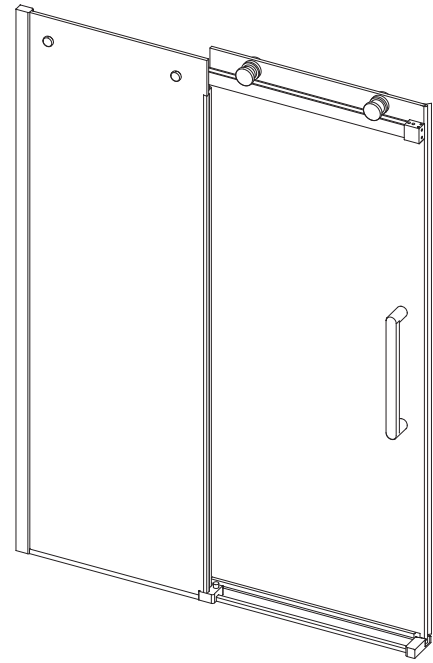
SHOWER | EVORA FRAMELESS



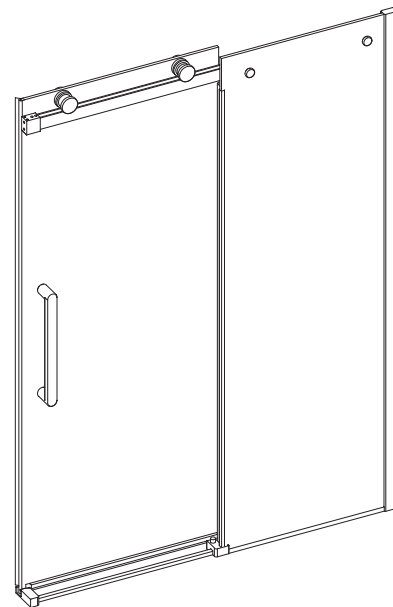
ALCOVE SLIDING DOOR

Englefield has a history of making superb showers and their popularity is testament to their quality and affordability.

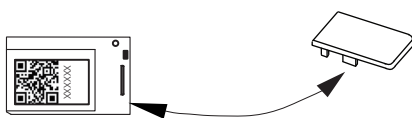
It's the details that Englefield cares about - from pioneering the latest technology, to innovative design, it's all to make your showering experience the very best it can be.



RIGHT HAND INSTALLATION



LEFT HAND INSTALLATION



To assist with product tracking the shower has QR code label underneath the wall retainer caps. Use this QR code when contacting customer support for assistance with your newly purchased shower.

BEFORE YOU BEGIN:

Before installing the shower please read these instructions carefully to familiarise yourself with the required tools, materials, and installation sequences. Please leave these instructions for the consumer after installation. Refer to the separate care and maintenance guide for important care and cleaning information.

Ensure that the installation of the shower tray and wall, where applicable, is completed prior to the installation of the shower doorset. Follow all warnings, cautions and instructions contained in this guide.

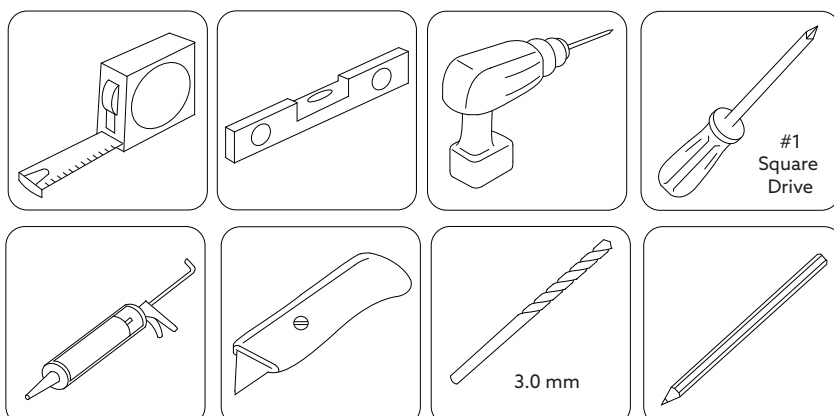
SAFETY

1. ENGLEFIELD strongly recommends that a minimum of TWO persons install this enclosure due to the weight of the door panels.
2. Toughened safety glass cannot be cut. Risk of injury or product damage.
3. Wear protective footwear when lifting panels.
4. Wear safety glasses when drilling.

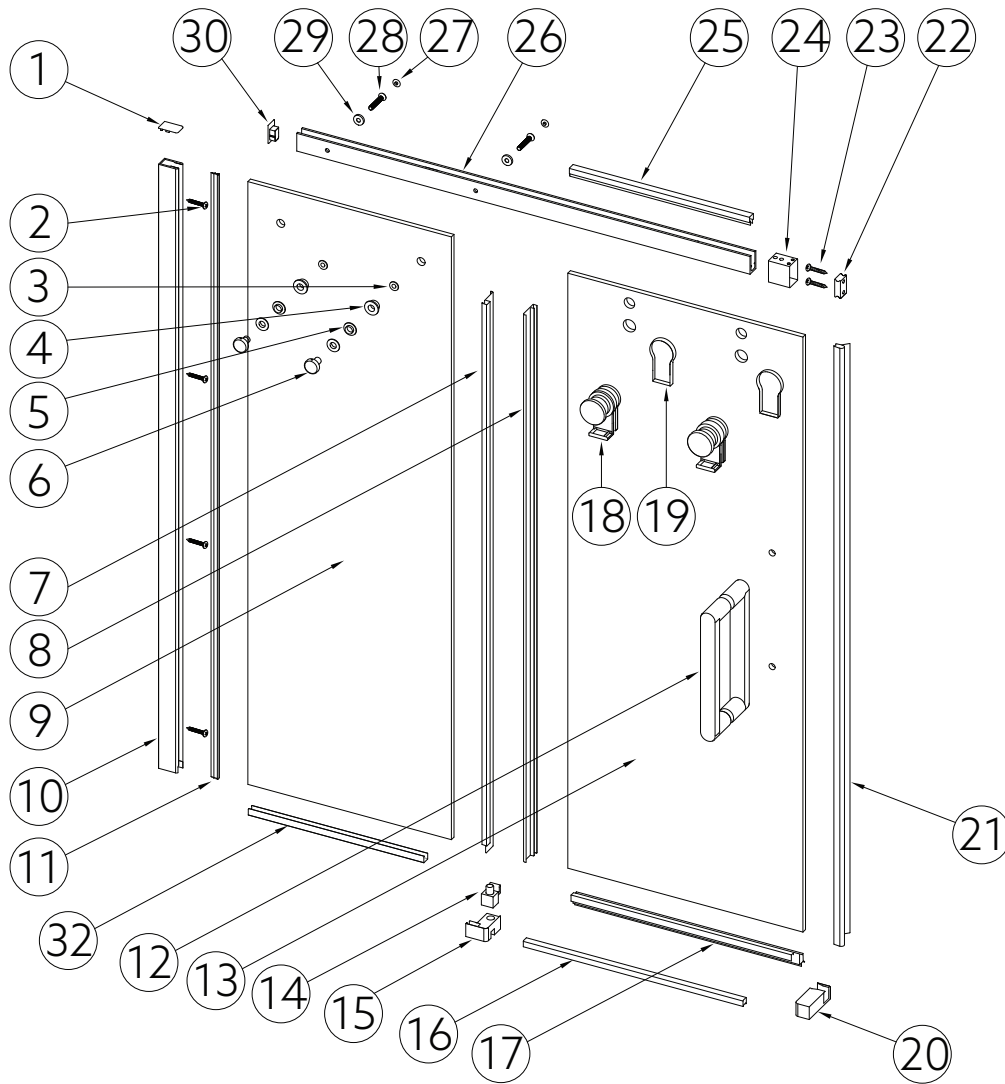
ATTENTION

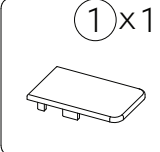
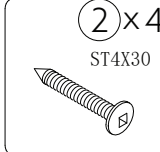
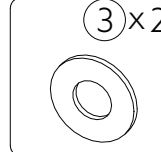
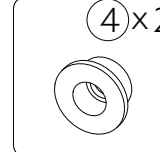
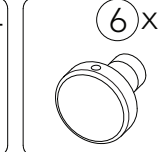
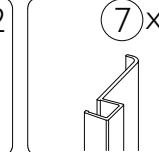
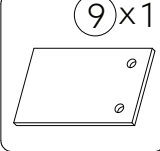
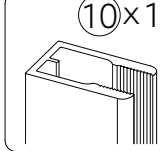
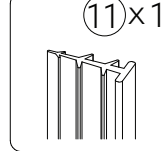
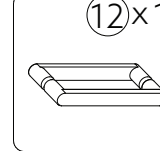
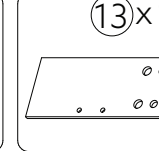
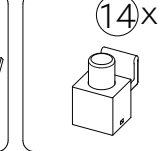
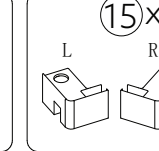
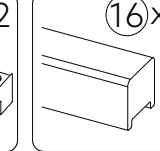
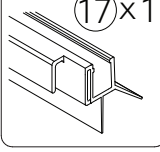
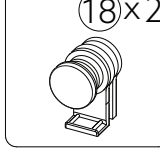
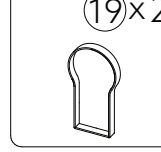
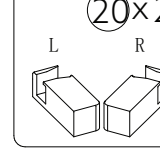
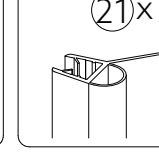
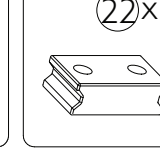
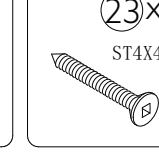
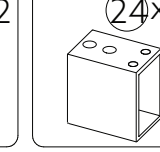
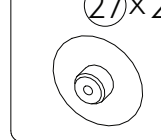
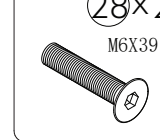
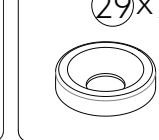
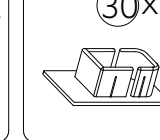
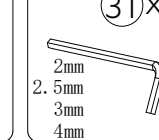
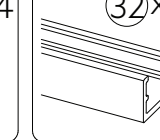
1. The wall retainers must be installed onto a waterproof, vertical and flat wall surface. Failure to do so will result in an unsatisfactory seal, which may cause property damage. The wall inclination (out of squareness) is recommended to be out by no more than +/-2mm/m.
2. Please install this door onto an ENGLEFIELD tray, unless installing directly onto tiled walls and floor.
3. Care must be taken when drilling into walls and floors to avoid any hidden pipes or wires.
4. It is the responsibility of the INSTALLER to ensure that the installation complies with council and or local authority by laws.

TOOLS AND MATERIALS REQUIRED:



PARTS IDENTIFICATION:



 1x1	 2x4 ST4X30	 3x2	 4x2	 5x4	 6x2	 7x1	 8x1
 9x1	 10x1	 11x1	 12x1	 13x1	 14x1	 15x2 L R	 16x1
 17x1	 18x2	 19x2	 20x2 L R	 21x1	 22x1	 23x2 ST4X40	 24x1
 25x1	 26x1	 27x2	 28x2 M6X39	 29x2	 30x1	 31x4 2mm 2.5mm 3mm 4mm	 32x1

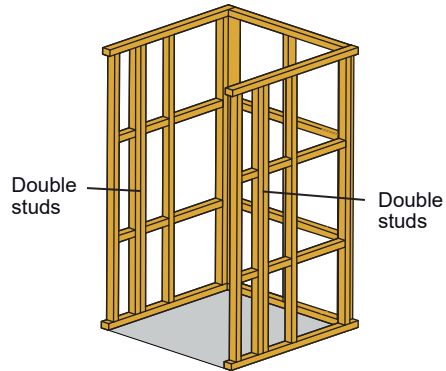
CONSTRUCTION REQUIREMENTS:

Wall Framing



ATTENTION

Due to the weight of the glass panels Englefield strongly recommends fixing the wall retainers to double studs for all installation types (as below).

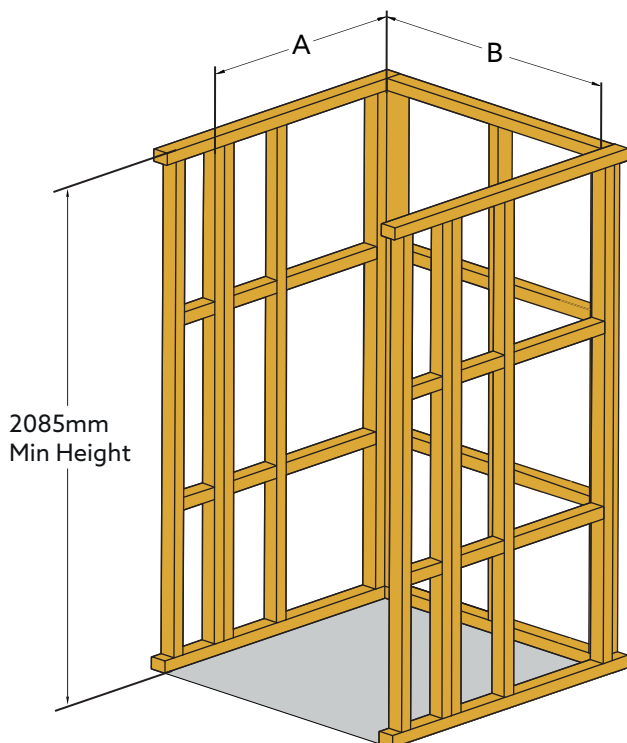


For acrylic tray with acrylic or tiled wall

NOTE: This setup allows for the use of standard 10mm wall board. A thicker wall board could make the recess too narrow for the door system.

Size	Dim 'A'	Dim 'B' ⁺² ₋₀
1200 x 900	900	1184
1200 x 1000	1000	1184

Measure to framing.



For tile floor and tile wall - Finished surfaces

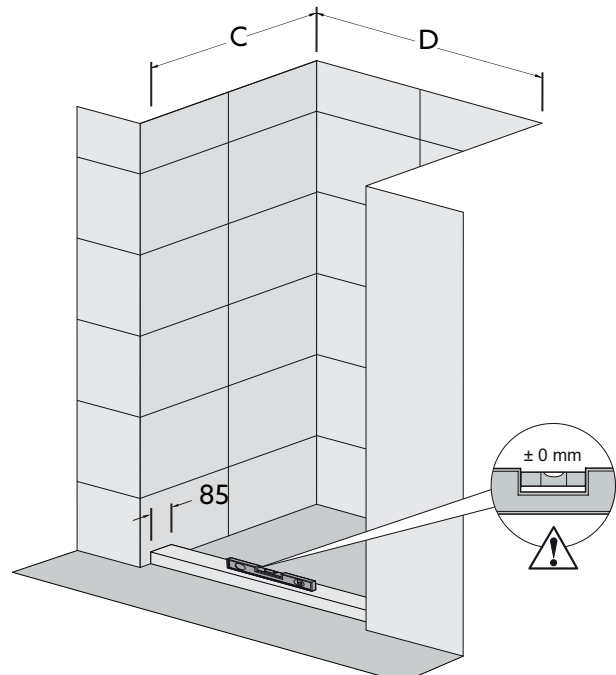
NOTE: Before tiling, ensure that there is adequate timber framing for the shower system to be fixed into.

Finished /tiled hob to be:

- 1) 85mm wide.
- 2) 1-2° fall front to back is acceptable.
- 3) Level (+/-0mm) left or right.

Size	Dim 'C'	Dim 'D' ⁺² ₋₀
1200 Doorset	N/A	1156

Measure to finished surfaces.



INSTALLATION - OPTIONS:

OPTION 1 - Acrylic Tray & Acrylic Wall

Acrylic Tray: For tray installation refer to the instructions supplied with the tray.

Acrylic Wall: For wall installation refer to the instructions supplied with the wall.

- Proceed to Door Installation.

OPTION 2 - Acrylic Tray & Tiled Wall

Acrylic Tray: For tray installation please refer to the instructions supplied with the tray.

Tiled Wall:



ATTENTION

The complete door system **MUST** be installed onto the waterproof membrane **PRIOR TO WALL TILING**.

Failure to install the complete door system before tiling may mean the door system will not fit on the shower tray due to the tile thickness.

- Proceed to Door Installation.

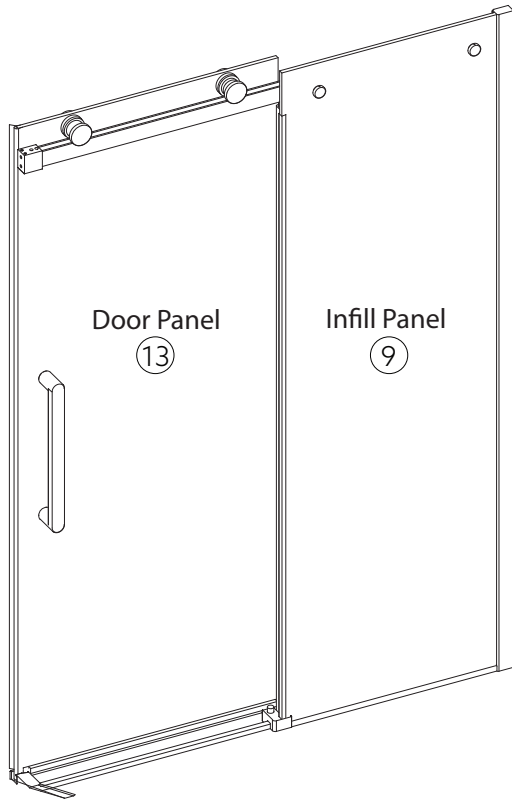
OPTION 3 - Tiled Wall & Floor

- The door and return can be installed directly onto the wall and floor tiles.
(Refer to construction requirements).

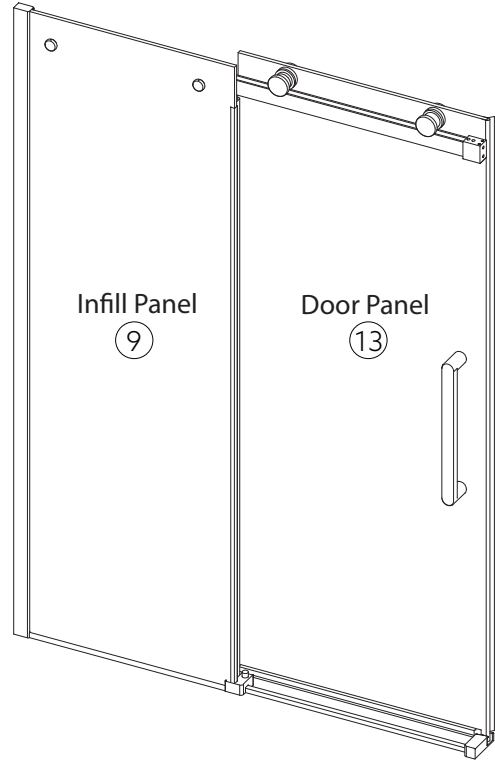
- Proceed to Door Installation.

INSTALLATION:

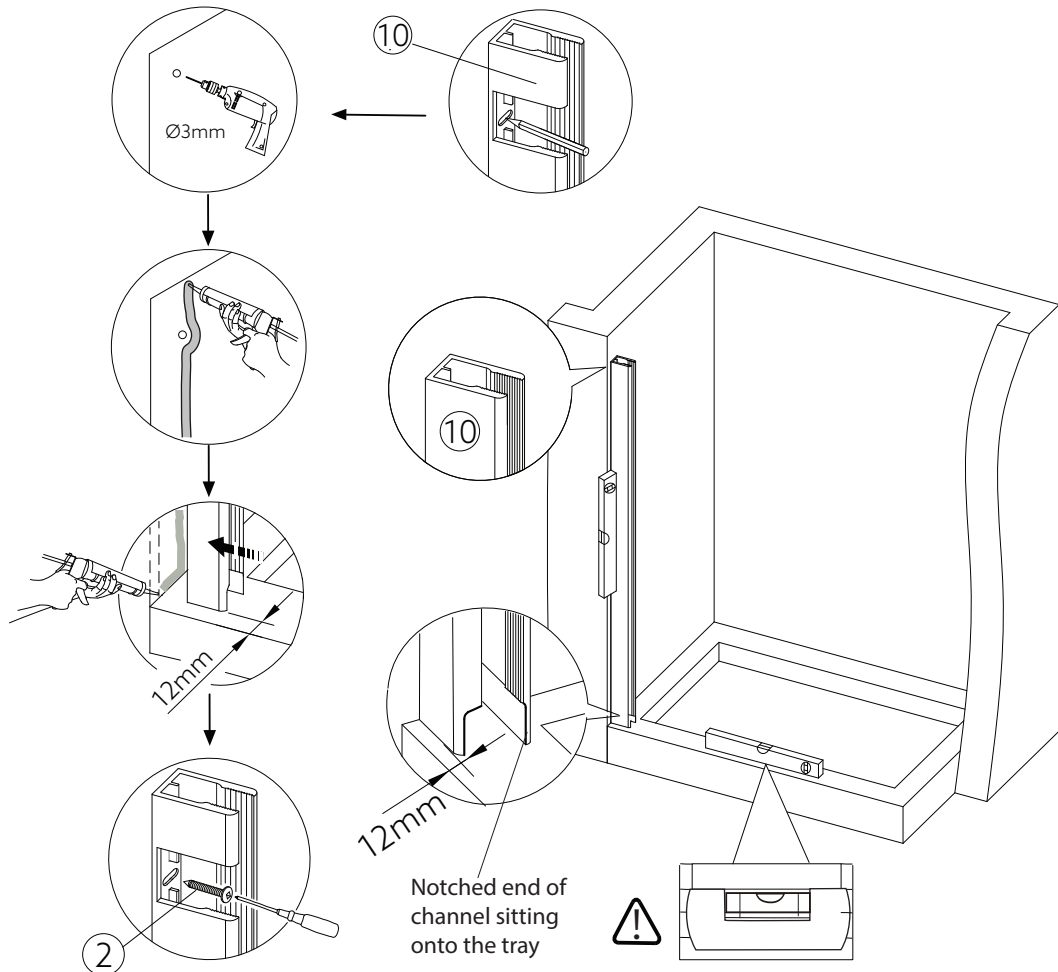
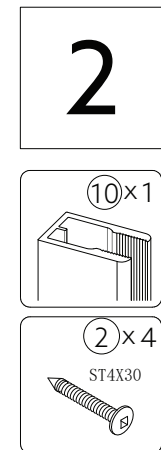
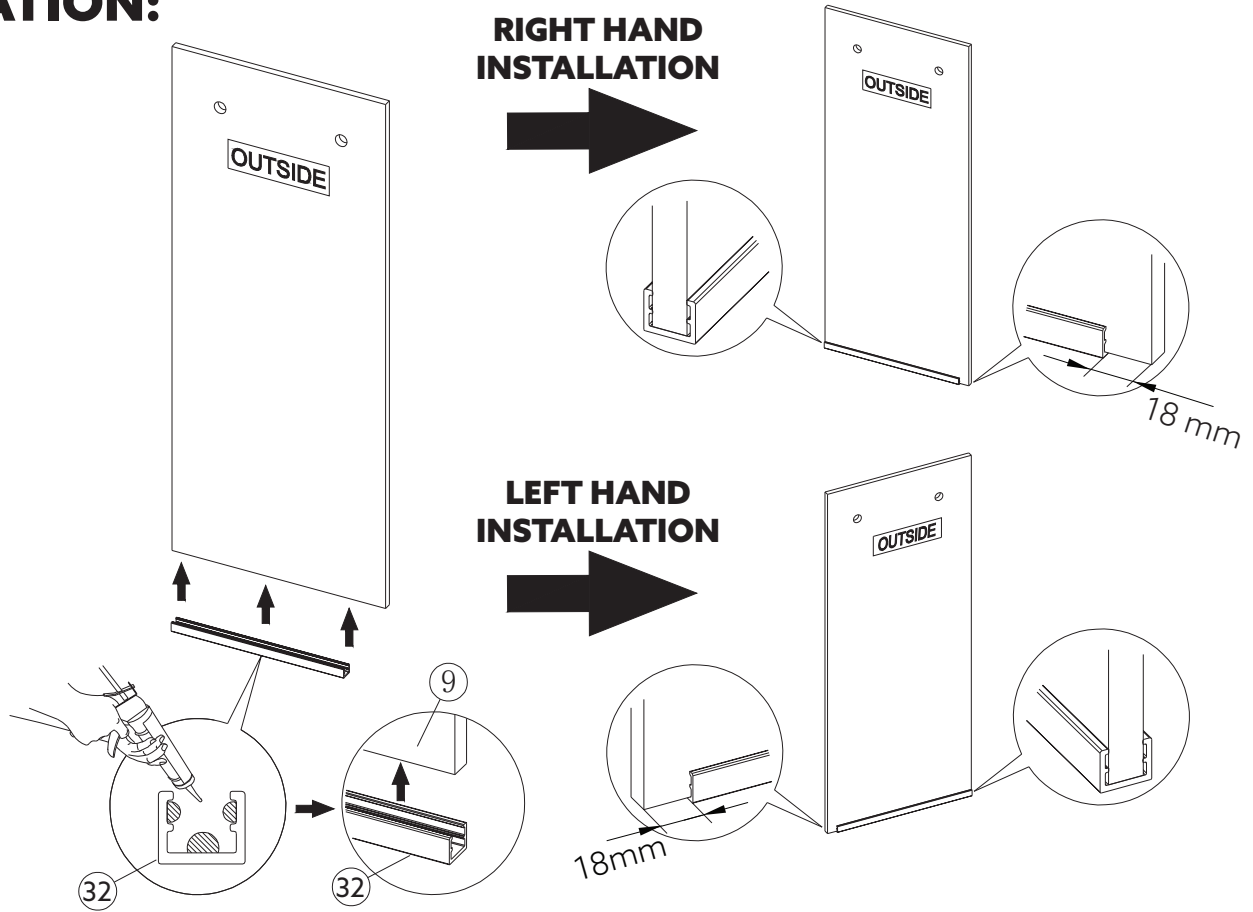
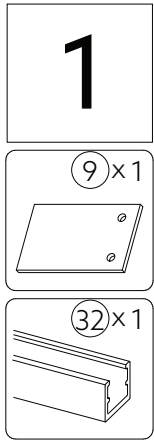
LEFT HAND INSTALLATION



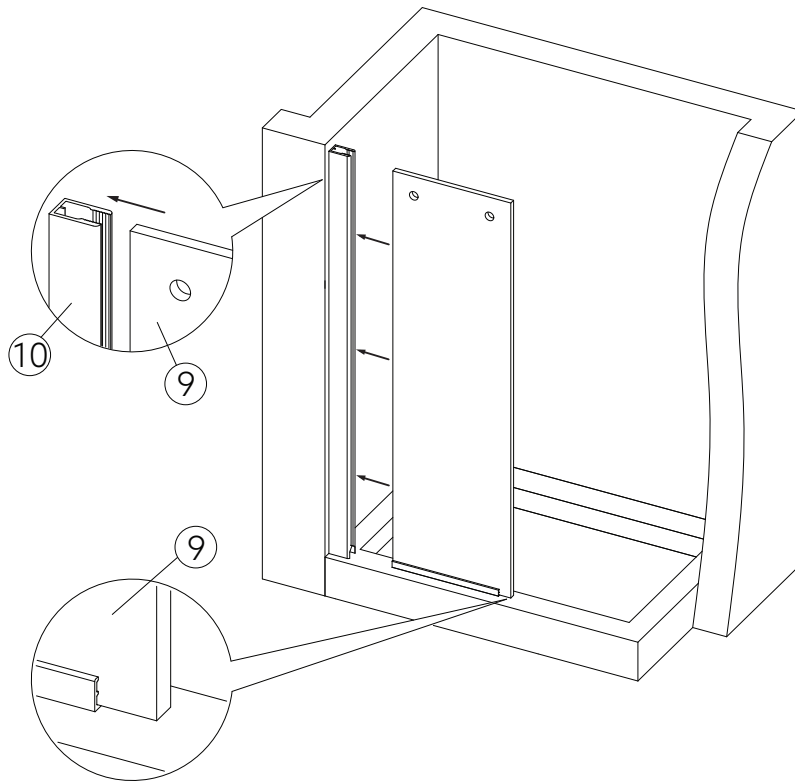
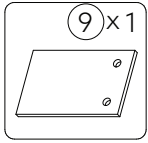
RIGHT HAND INSTALLATION



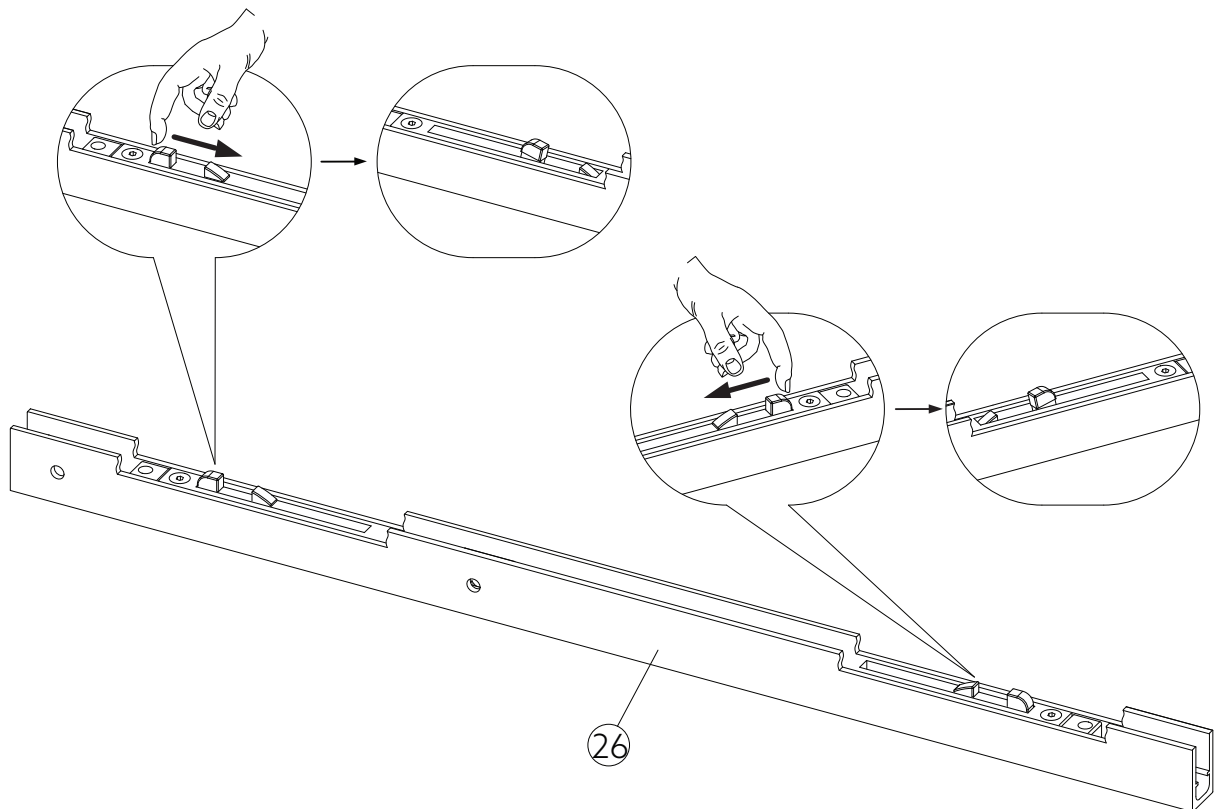
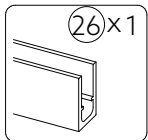
INSTALLATION:



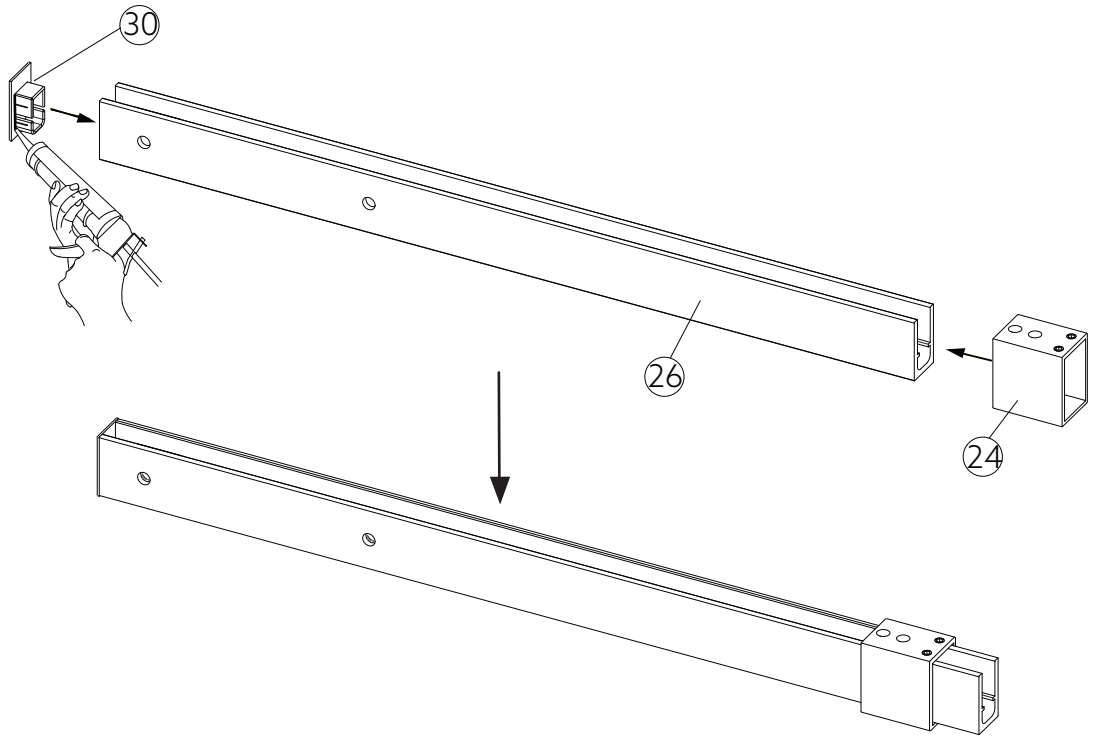
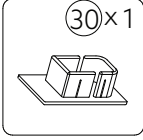
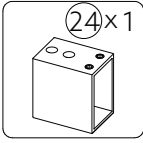
3



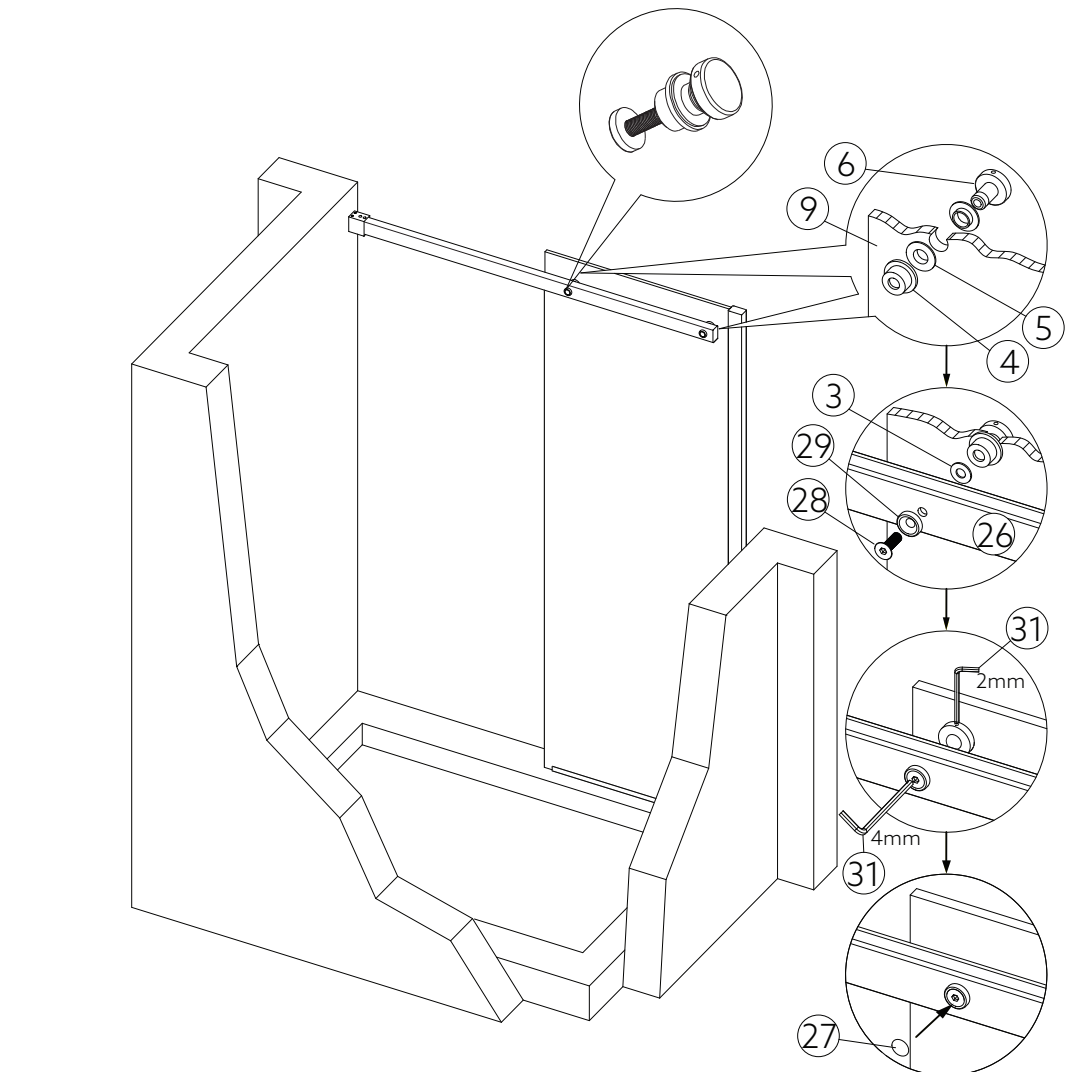
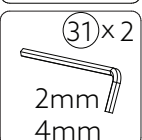
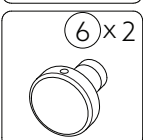
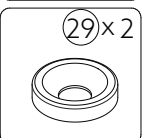
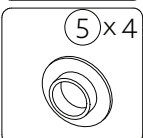
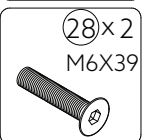
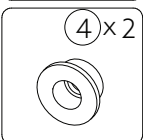
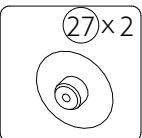
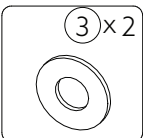
4



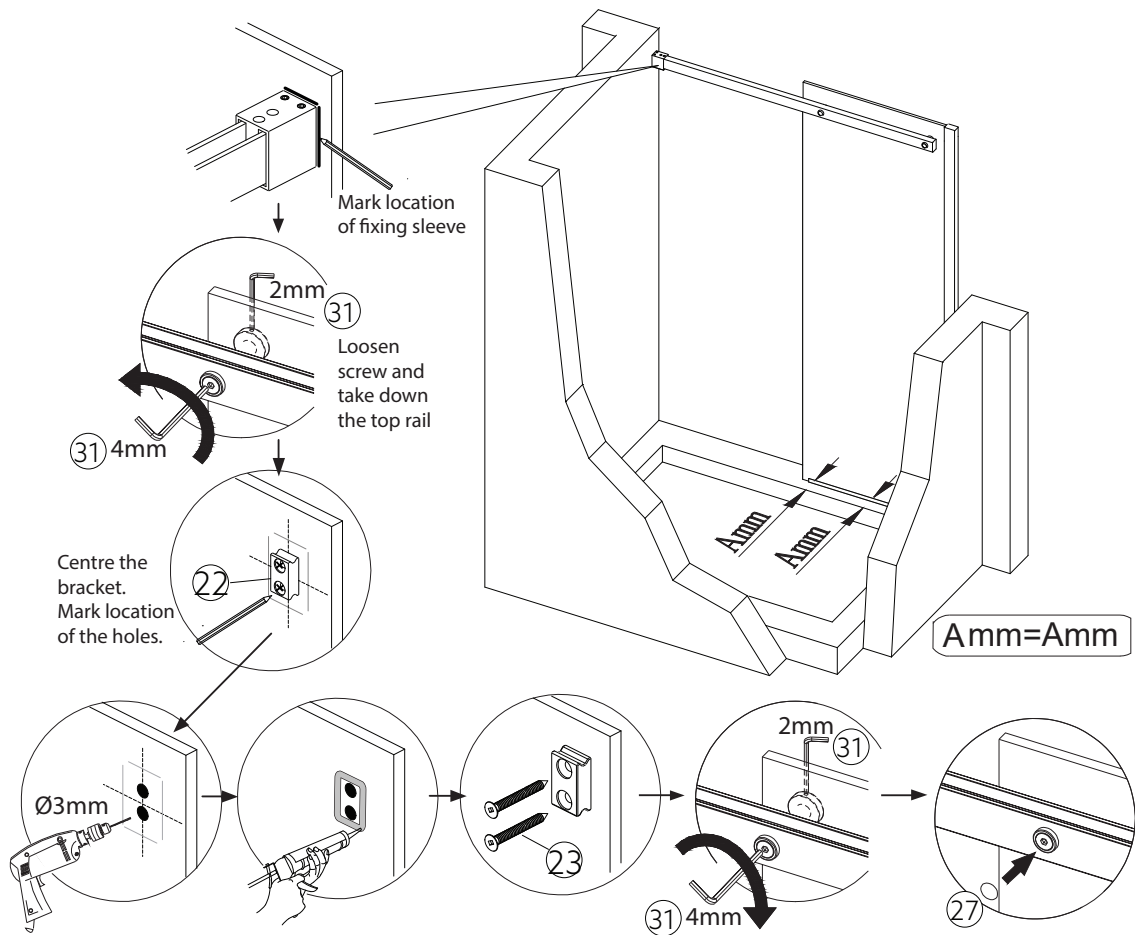
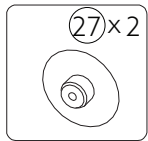
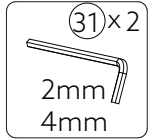
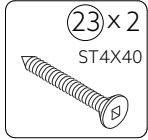
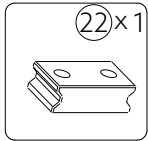
5



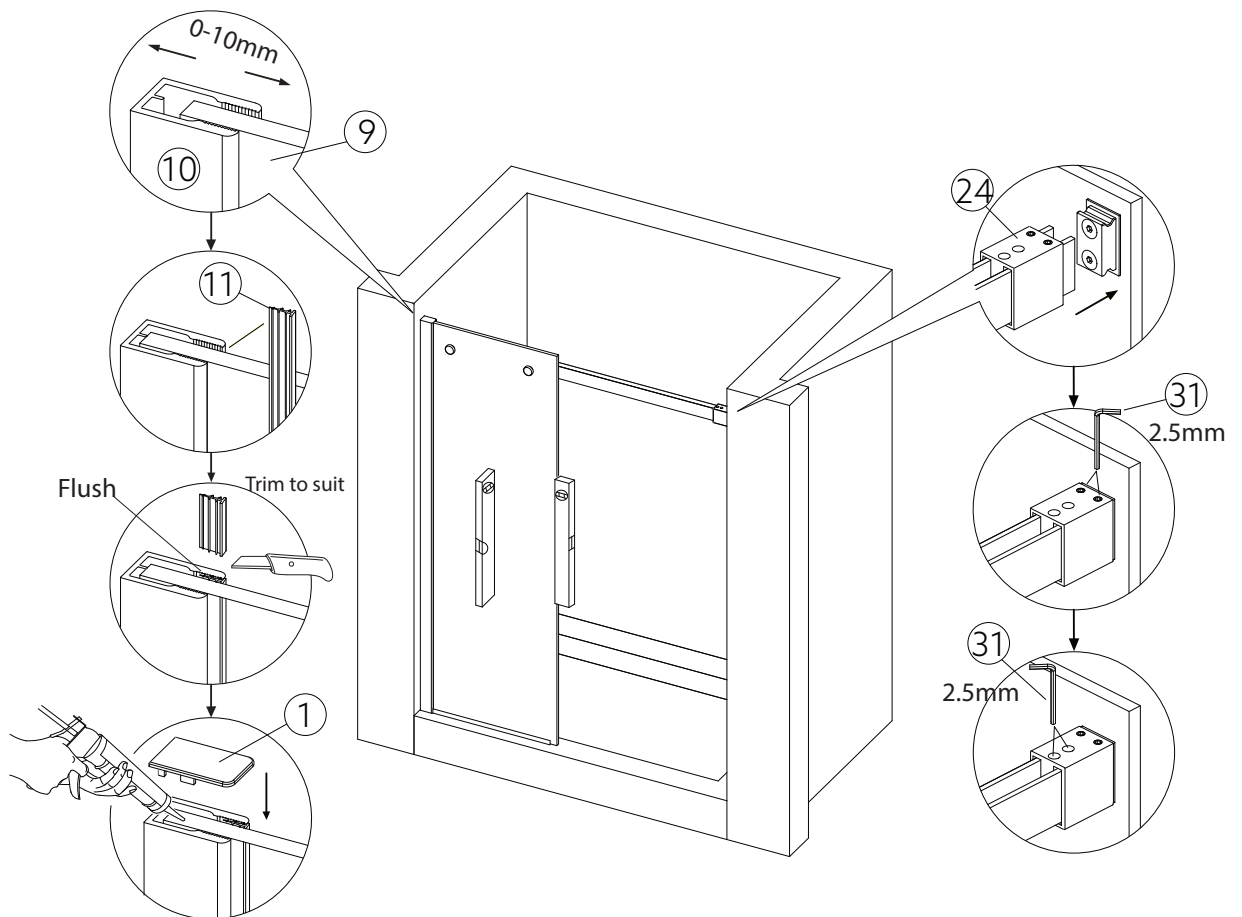
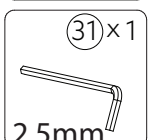
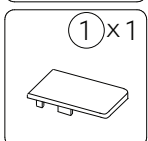
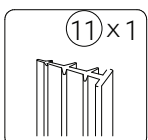
6

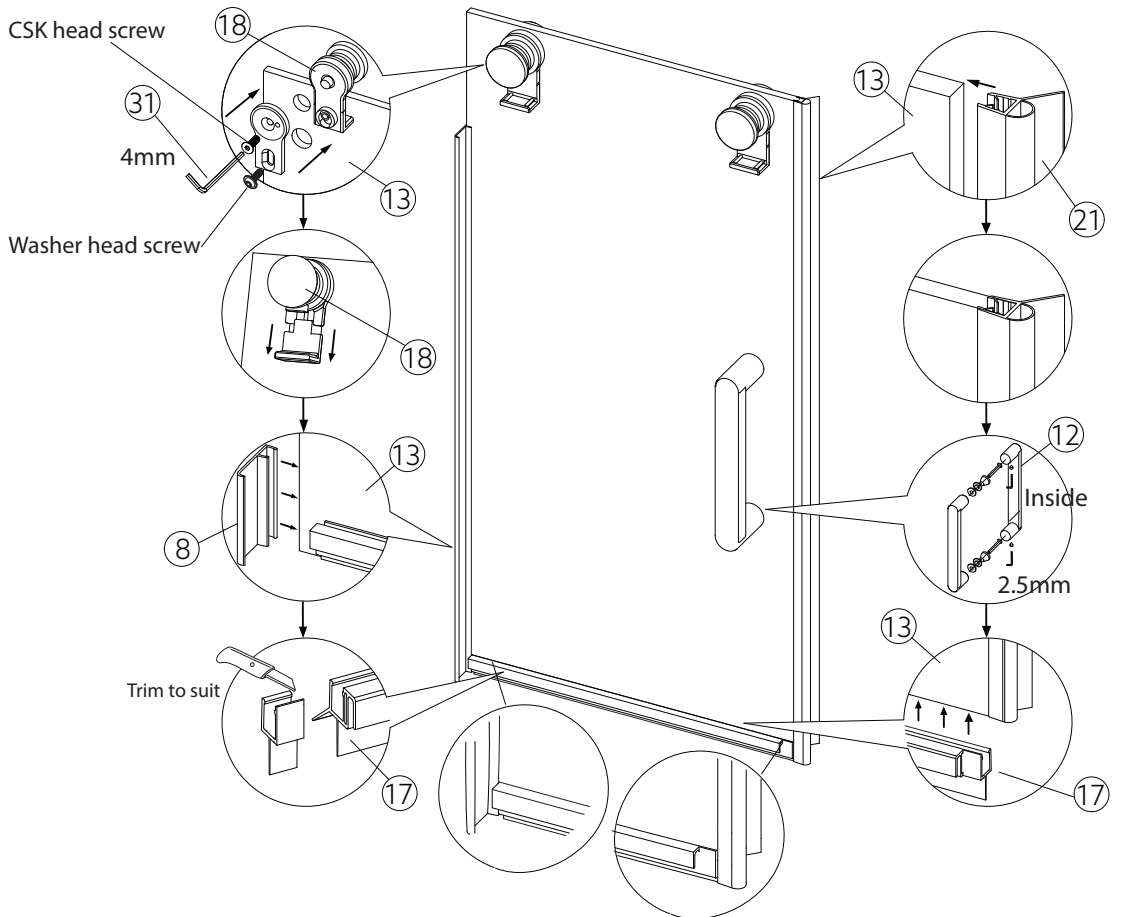
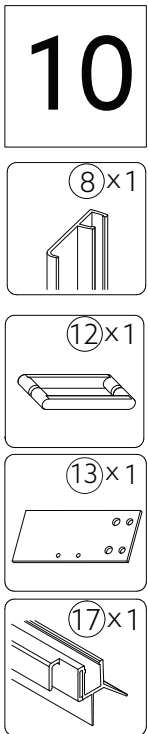
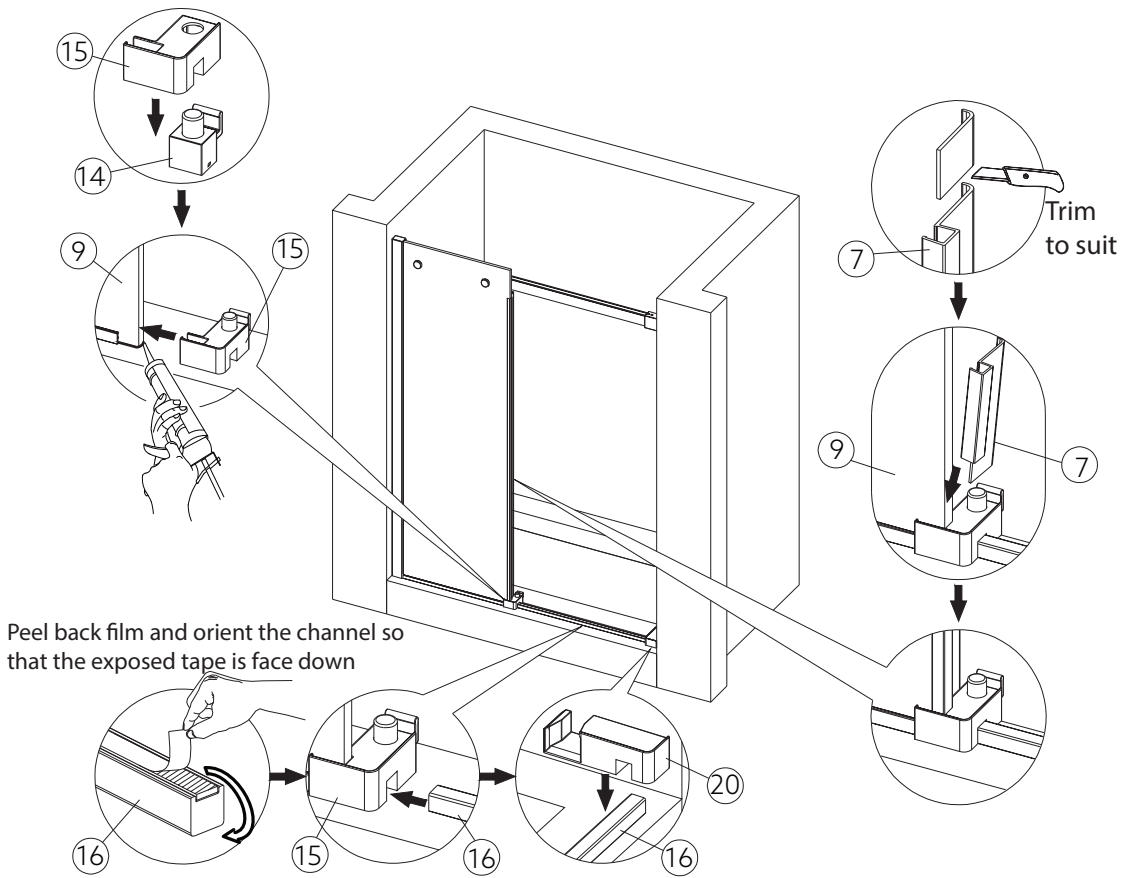
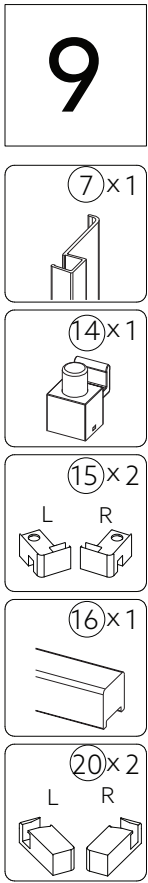


7



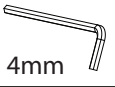
8



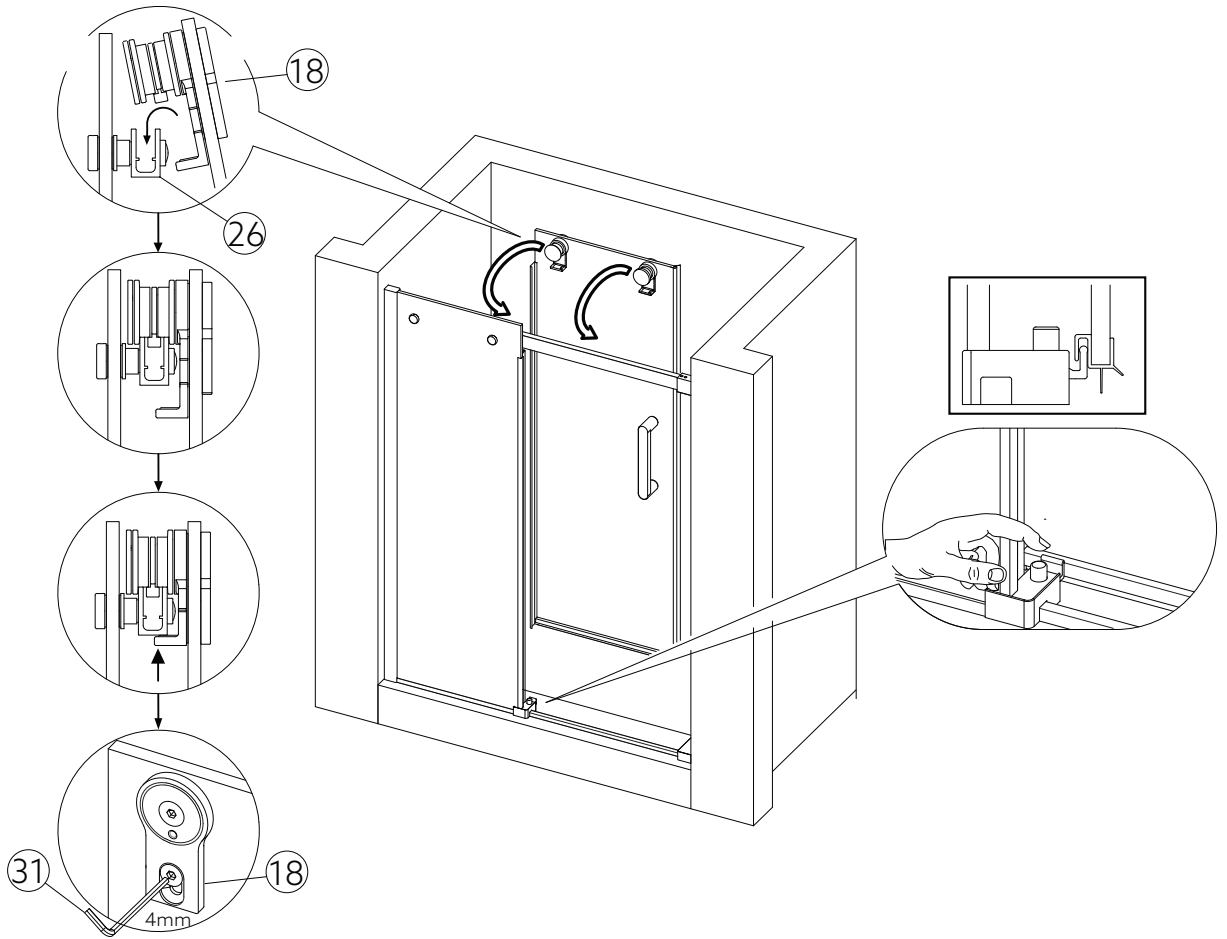


11

(31) x 1



4mm

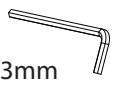


12

(19) x 2

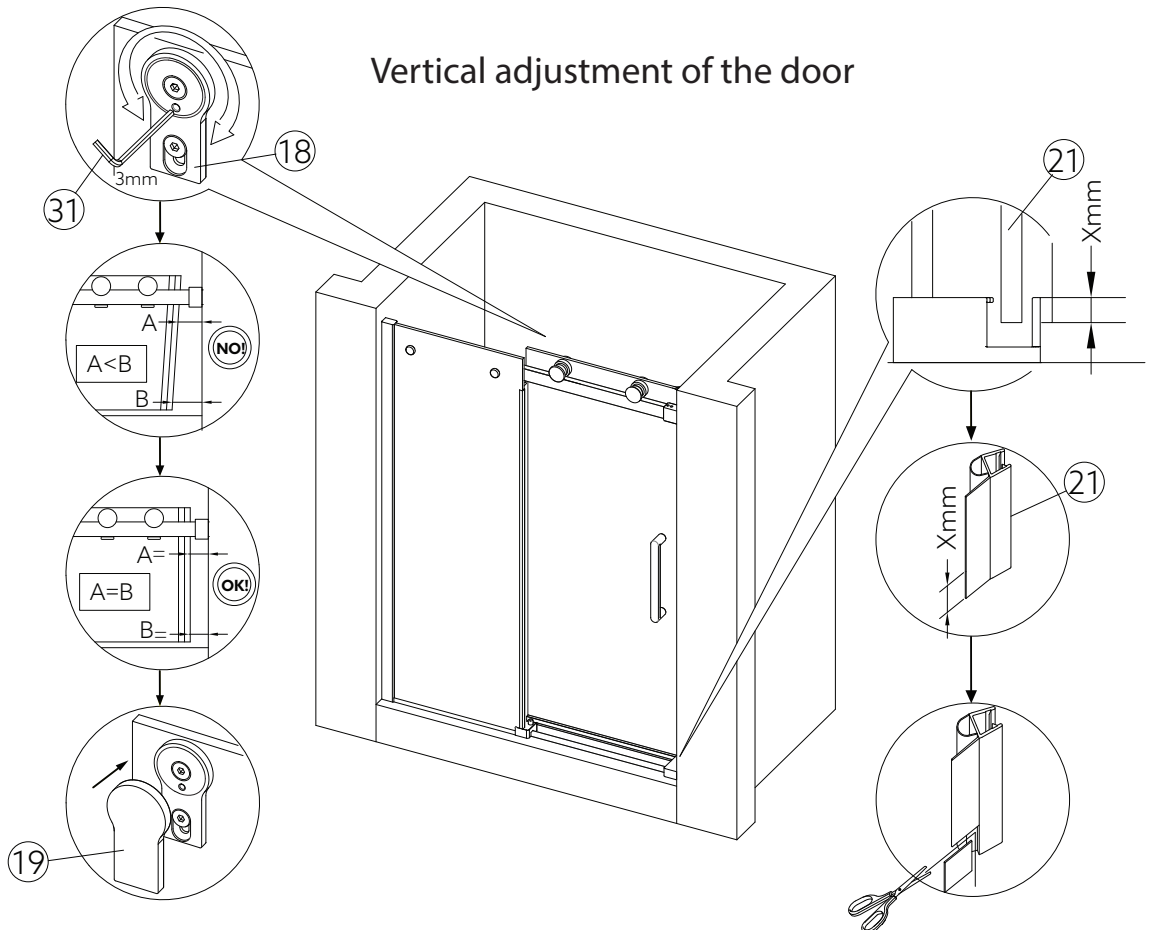


(31) x 1



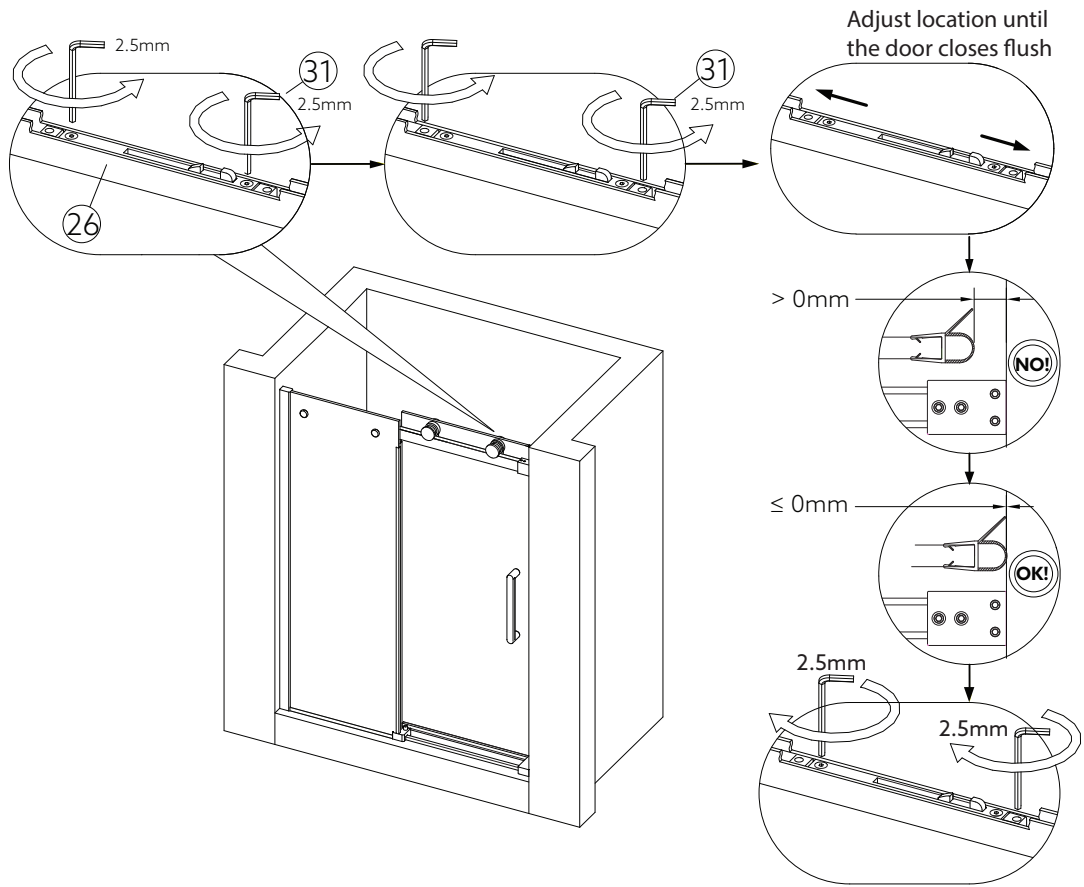
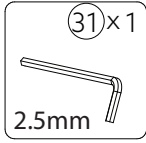
3mm

Vertical adjustment of the door



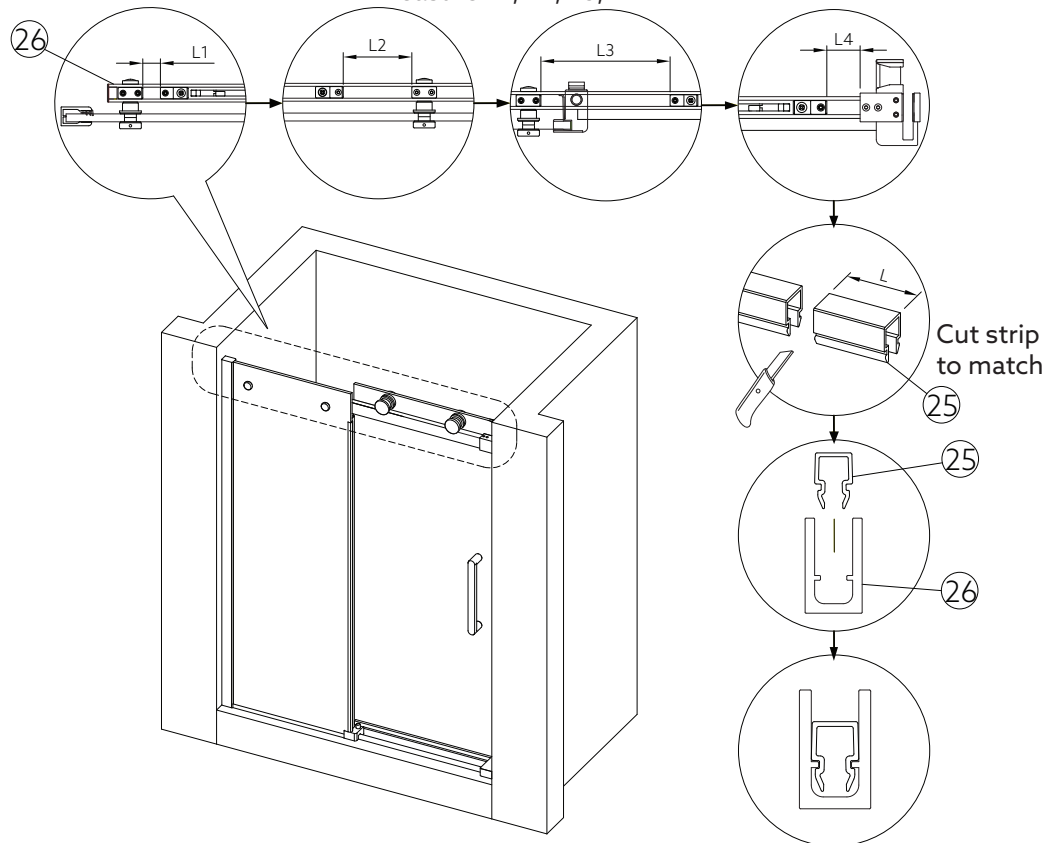
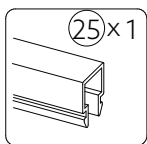
13

Horizontal adjustment of the door

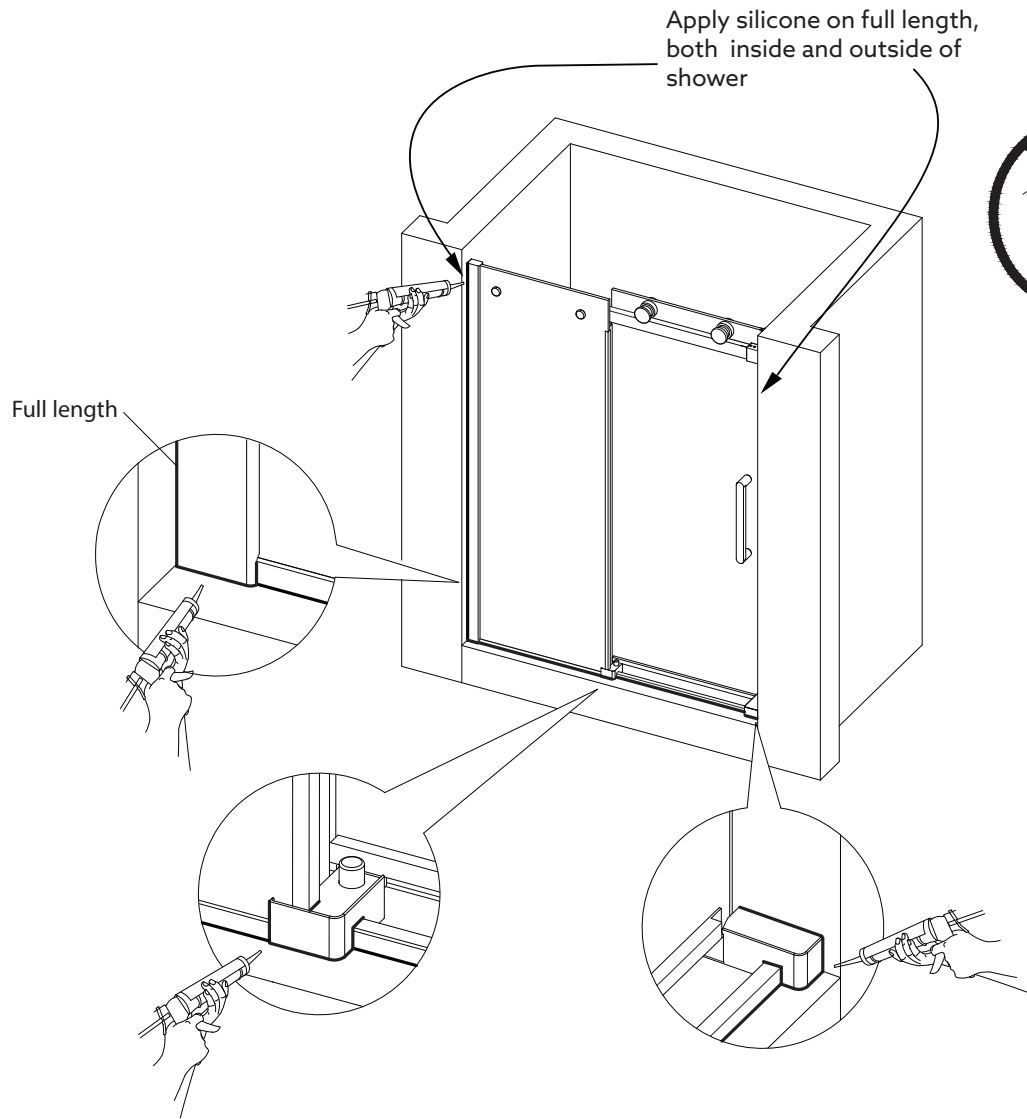


14

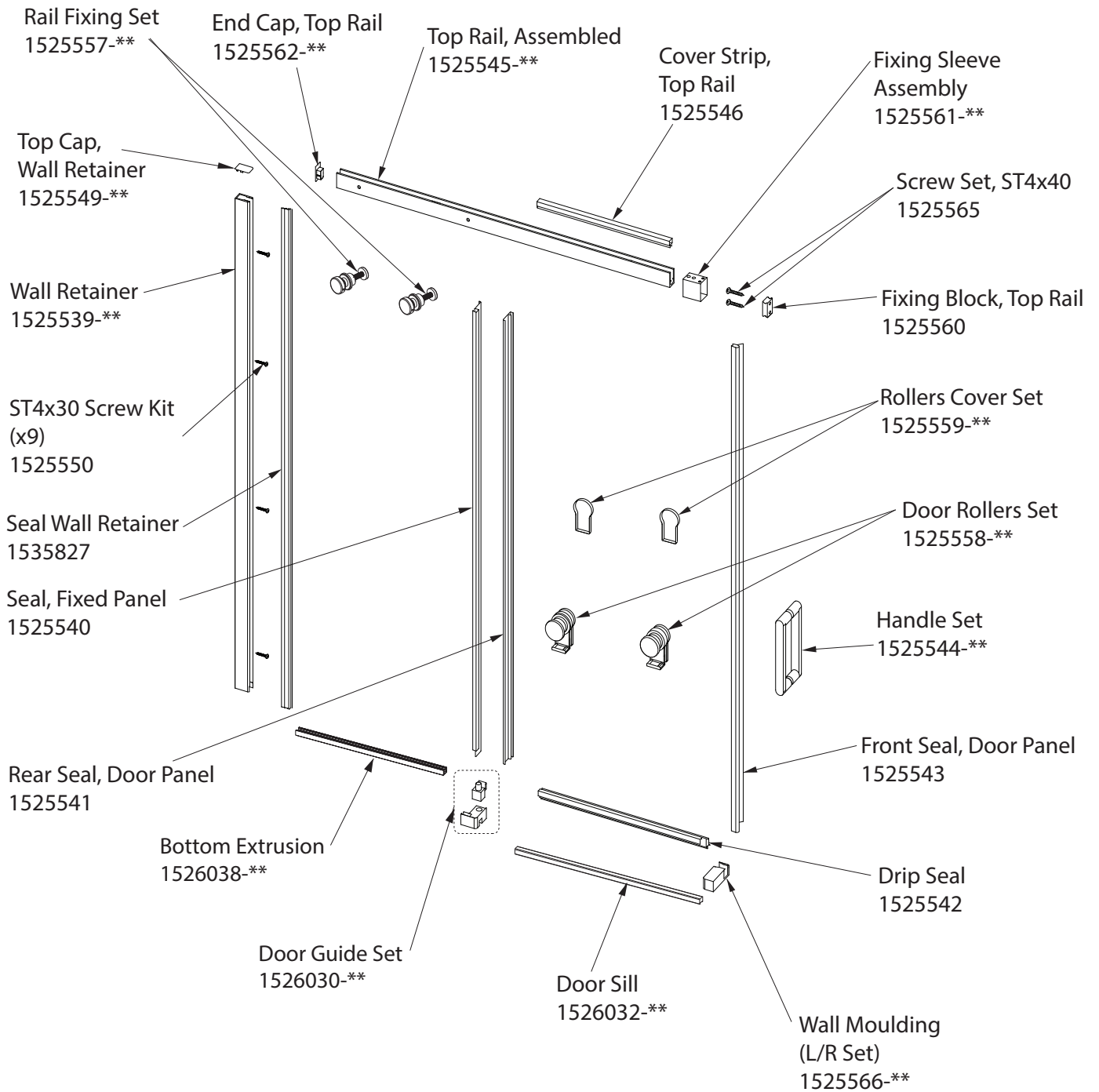
Measure L1, L2, L3, L4



15



SPARE PARTS:



1525550 Fitting kit Wall Retainer
(Bag of 9 screws) ST4 x 30

1525565 Fitting kit Wall Bracket
(Bag of 2 screws) ST4 x 40

CONTACT AND WARRANTY INFORMATION:

NEW ZEALAND
KOHLER NZ LTD

AUSTRALIA
KOHLER AUSTRALIA

Free Ph: 0800 100 382
Free Fax: 0800 664 488
www.inglefield.co.nz

Free Ph: 1 800 ENGLEFIELD
(1 800 364 533)
www.inglefield.com

For warranty information, please visit our website.

