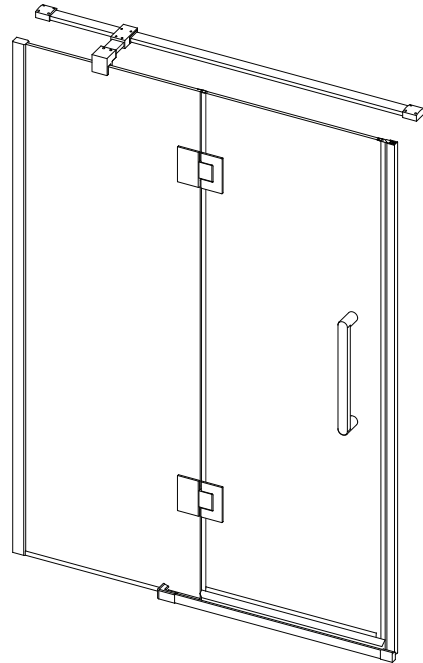


INSTALLATION INSTRUCTIONS

SHOWER | EVORA FRAMELESS



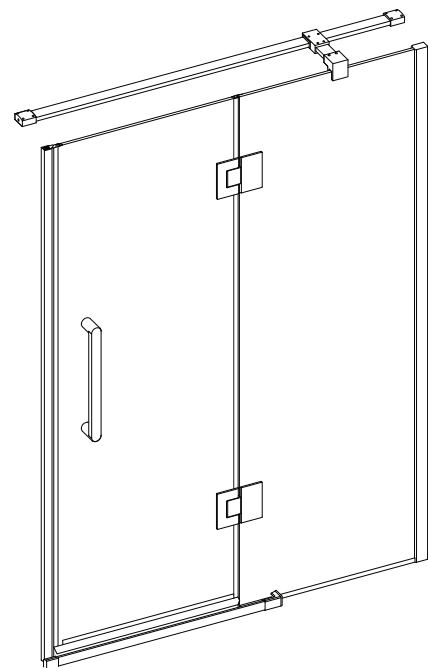
ALCOVE HINGED DOOR



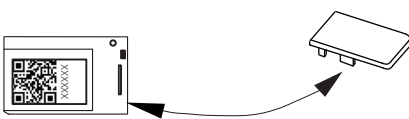
RIGHT HAND INSTALLATION

Englefield has a history of making superb showers and their popularity is testament to their quality and affordability.

It's the details that Englefield cares about - from pioneering the latest technology, to innovative design, it's all to make your showering experience the very best it can be.



LEFT HAND INSTALLATION



To assist with product tracking the shower has QR code label underneath the wall retainer caps. Use this QR code when contacting customer support for assistance with your newly purchased shower.

BEFORE YOU BEGIN:

Before installing the shower please read these instructions carefully to familiarise yourself with the required tools, materials, and installation sequences. Please leave these instructions for the consumer after installation. Refer to the separate care and maintenance guide for important care and cleaning information.

Ensure that the installation of the shower tray and wall, where applicable, is completed prior to the installation of the shower door and return. Follow all warnings, cautions and instructions contained in this guide.

SAFETY

1. ENGLEFIELD strongly recommends that a minimum of TWO persons install this enclosure due to the weight of the door panels.
2. Toughened safety glass cannot be cut. Risk of injury or product damage.
3. Wear protective footwear when lifting panels.
4. Wear safety glasses when drilling.

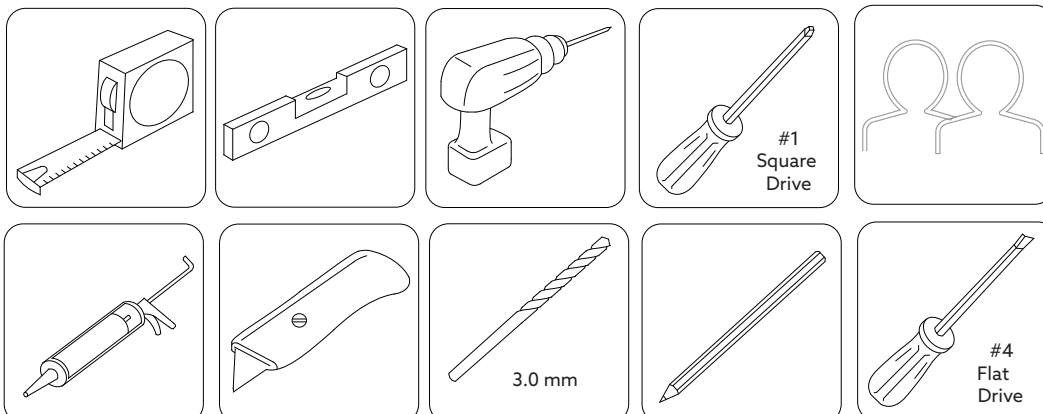
ATTENTION

1. The wall retainers must be installed onto a waterproof, vertical and flat wall surface. Failure to do so will result in an unsatisfactory seal, which may cause property damage. The wall inclination (out of squareness) is recommended to be out by no more than +/- 2mm/m.
2. Please install this door onto an ENGLEFIELD tray, unless installing directly onto tiled walls and floor.

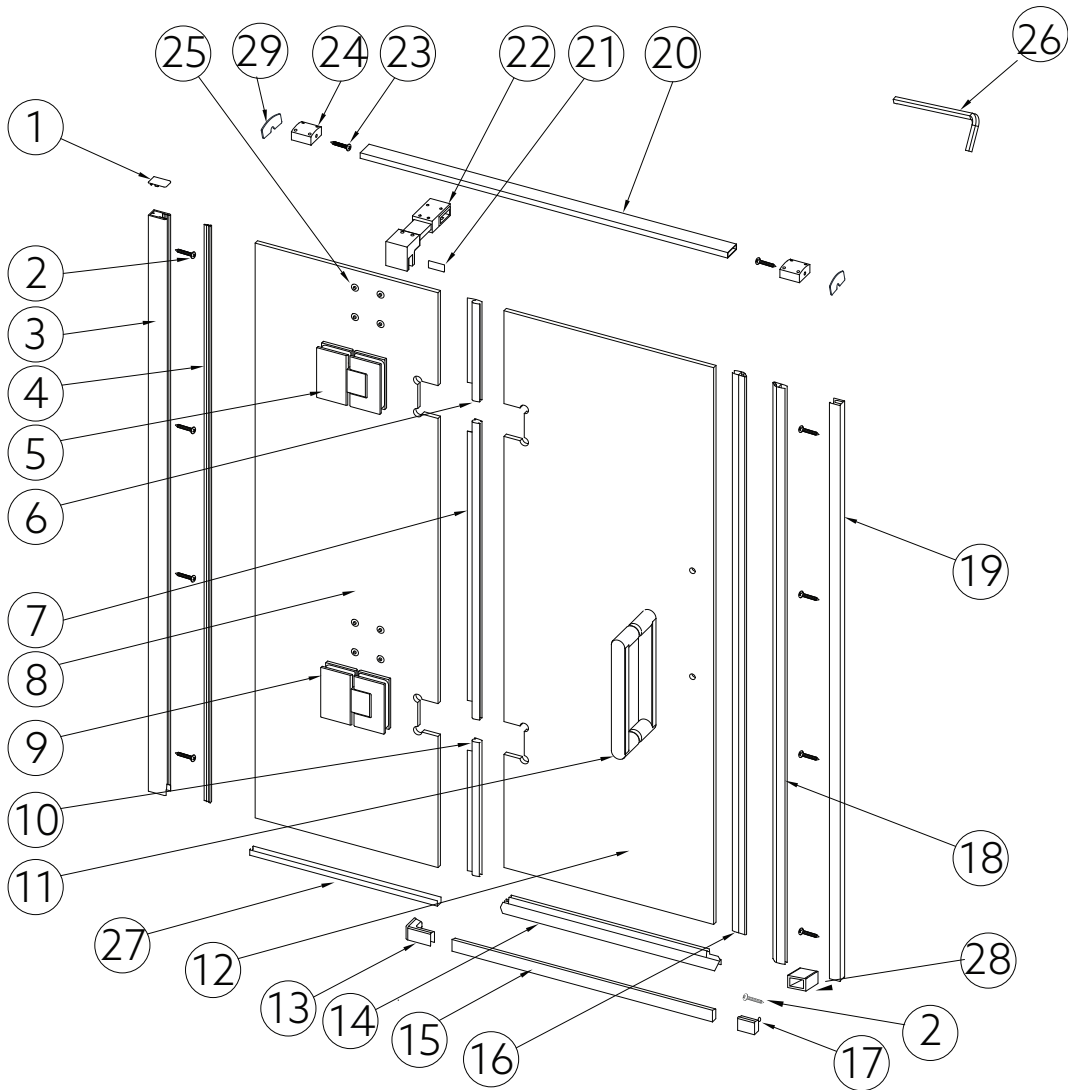
 For the door to operate correctly the floor and tray **MUST BE level**.

3. Care must be taken when drilling into walls and floors to avoid any hidden pipes or wires.
4. It is the responsibility of the INSTALLER to ensure that the installation complies with council and/or local authority by laws.

TOOLS AND MATERIALS REQUIRED:



PARTS IDENTIFICATION:



①x1 	②x9 ST4x30 	③x1 	④x1 	⑤x1 Top Hinge 	⑥x1 	⑦x1 Longest 	⑧x1
⑨x1 Bottom Hinge 	⑩x1 Shortest 	⑪x1 	⑫x1 	⑬x2 L R 	⑭x1 	⑮x1 	⑯x1 Shortest
⑰x2 L R 	⑱x1 Longest 	⑲x1 	⑳x1 	㉑x1 	㉒x1 	㉓x2 ST4x40 	㉔x2
㉕x8 	㉖x2 2.5mm 4mm 	㉗x1 	㉘x1 Jig Block 	㉙x2 	㉚x1 		

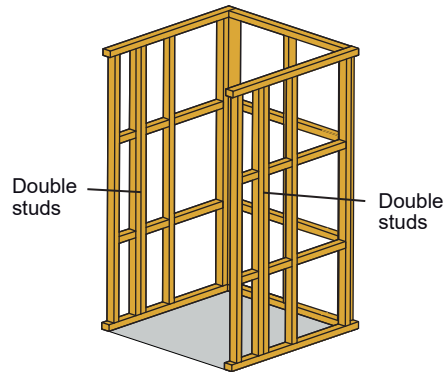
CONSTRUCTION REQUIREMENTS:

Wall Framing



ATTENTION

Due to the weight of the glass panels Englefield strongly recommends fixing the wall retainers to double studs for all installation types (as below).

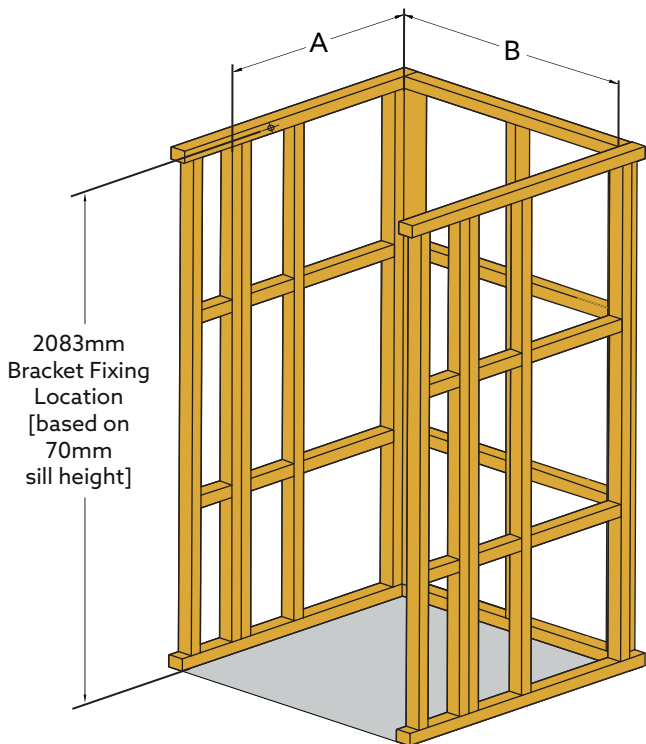


For acrylic tray with acrylic or tiled wall	For tile floor and tile wall - Finished surfaces
--	---

Size	Dim 'A'	Dim 'B' ⁺² / ₋₀
900 x 900	900	884
1000 x 1000	1000	984
1200 x 900	900	1184

* Measure to Framing

NOTE: This setup allows for the use of standard 10mm wall board. A thicker wall board could make the recess too narrow for the door system.

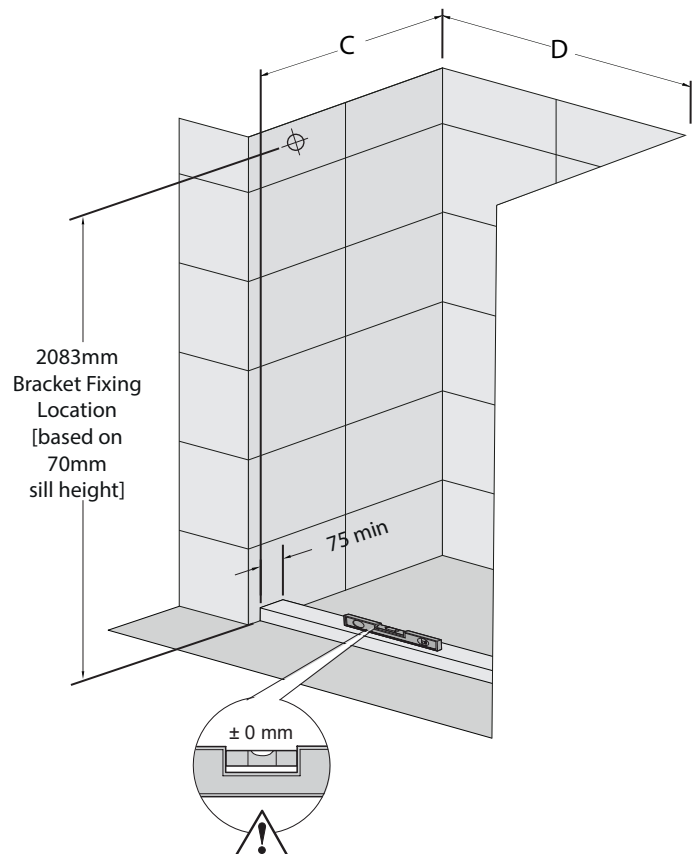


Size	Dim 'C'	Dim 'D' ⁺² / ₋₀
900	N/A	856
1000	N/A	956
1200	N/A	1156

* Measure to Finished Surfaces

Finished /tiled hob to be:

- 1) Minimum 75mm wide.
- 2) 1-2° fall front to back is acceptable.
- 3) Level (+/-0mm) left or right.



INSTALLATION - OPTIONS:

OPTION 1 - Acrylic Wall & Tray

Tray: For tray installation refer to the instructions supplied with the tray.

Wall: For wall installation refer to the instructions supplied with the wall.

- Proceed to Doorset Installation.

OPTION 2 - Tiled Wall & Acrylic Tray

Tray: For tray installation please refer to the instructions supplied with the tray.

Tiled Wall:



ATTENTION

The complete door system MUST be installed onto the waterproof membrane PRIOR TO WALL TILING.

Failure to install the complete door system before tiling may mean the door system will not fit on the shower tray due to the tile thickness.

- Proceed to Doorset Installation.

OPTION 3 - Tiled Wall & Floor

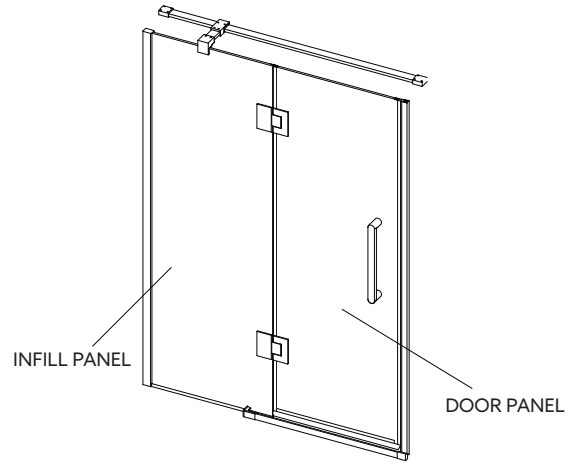
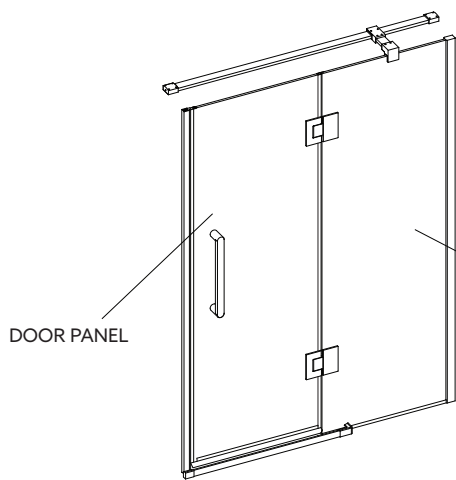
- The doorset can be installed directly onto the wall and floor tiles.

- Proceed to Doorset Installation.

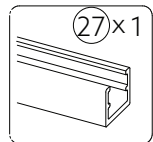
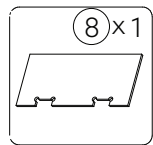
INSTALLATION - OPTIONS:

LEFT HAND INSTALLATION

RIGHT HAND INSTALLATION



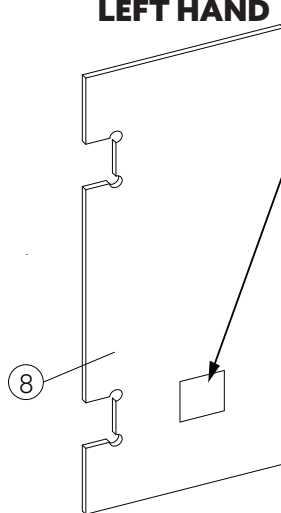
1



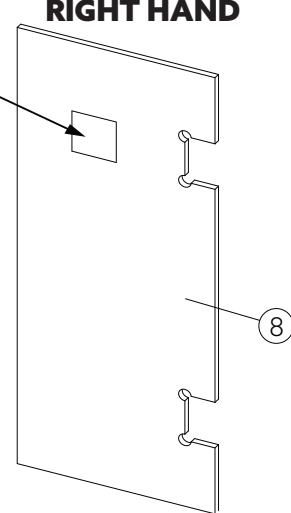
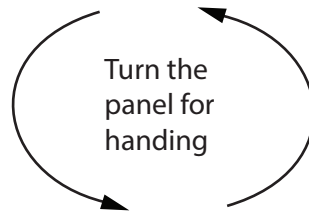
INFILL HANDING

LEFT HAND

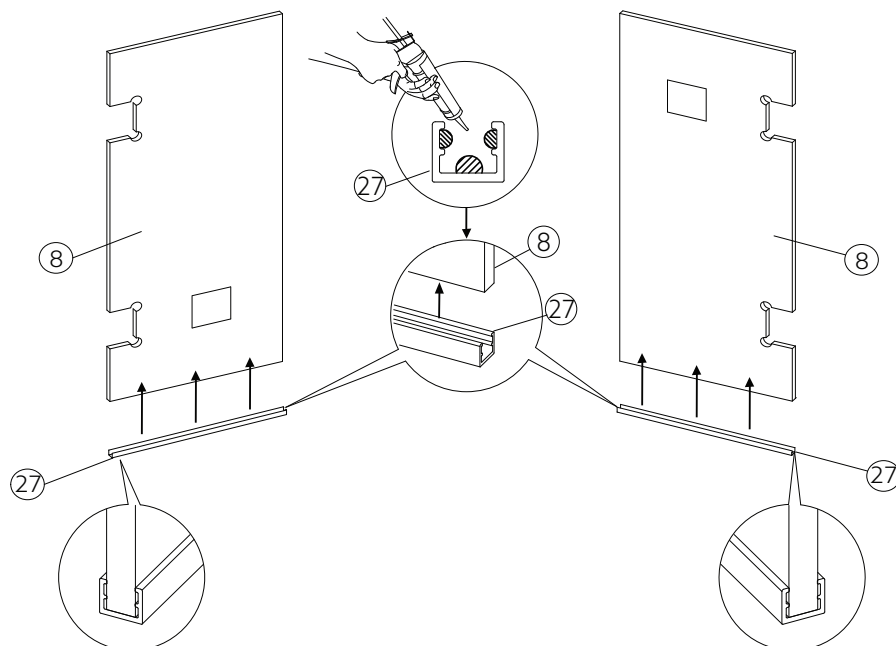
RIGHT HAND



Label must be on the outside of the shower.
The glass is coated on the inside.

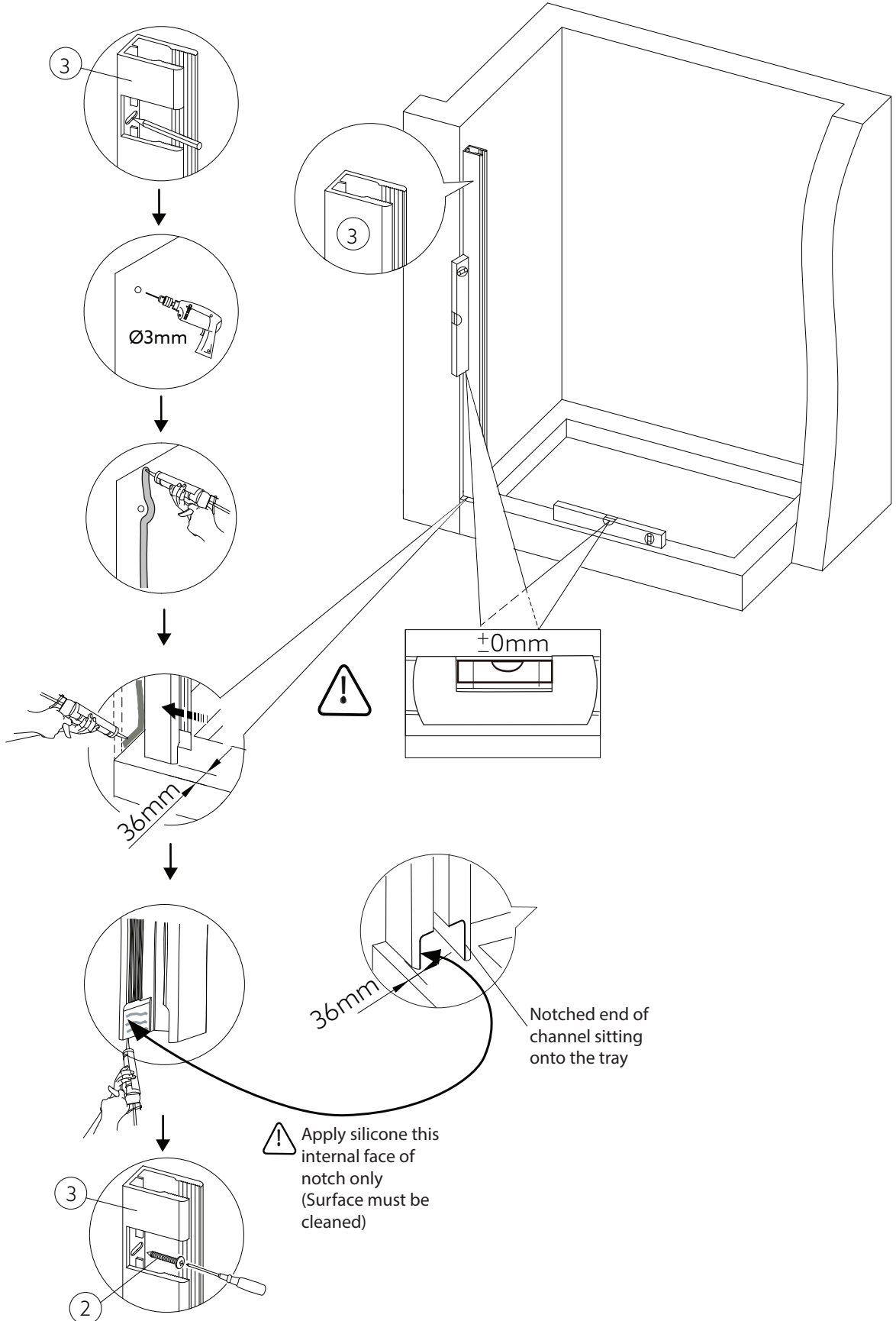
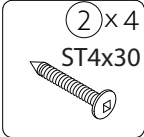
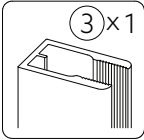


FIT BOTTOM STRIP

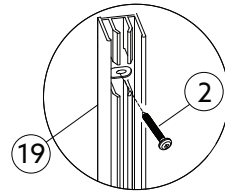
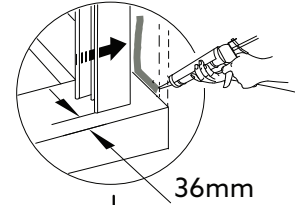
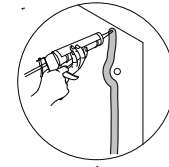
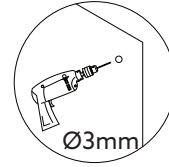
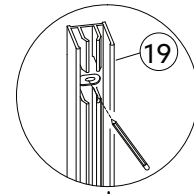
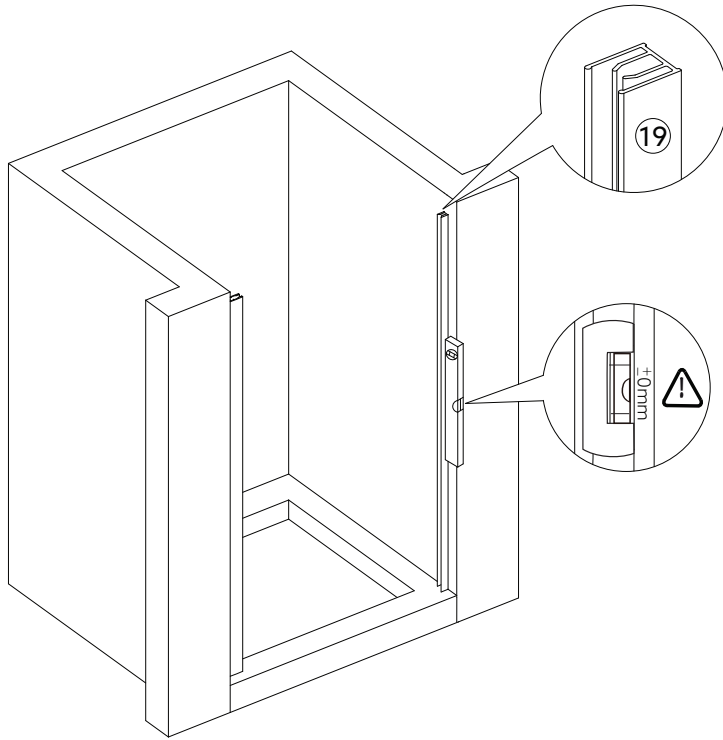
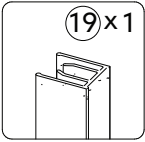
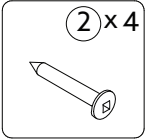


2

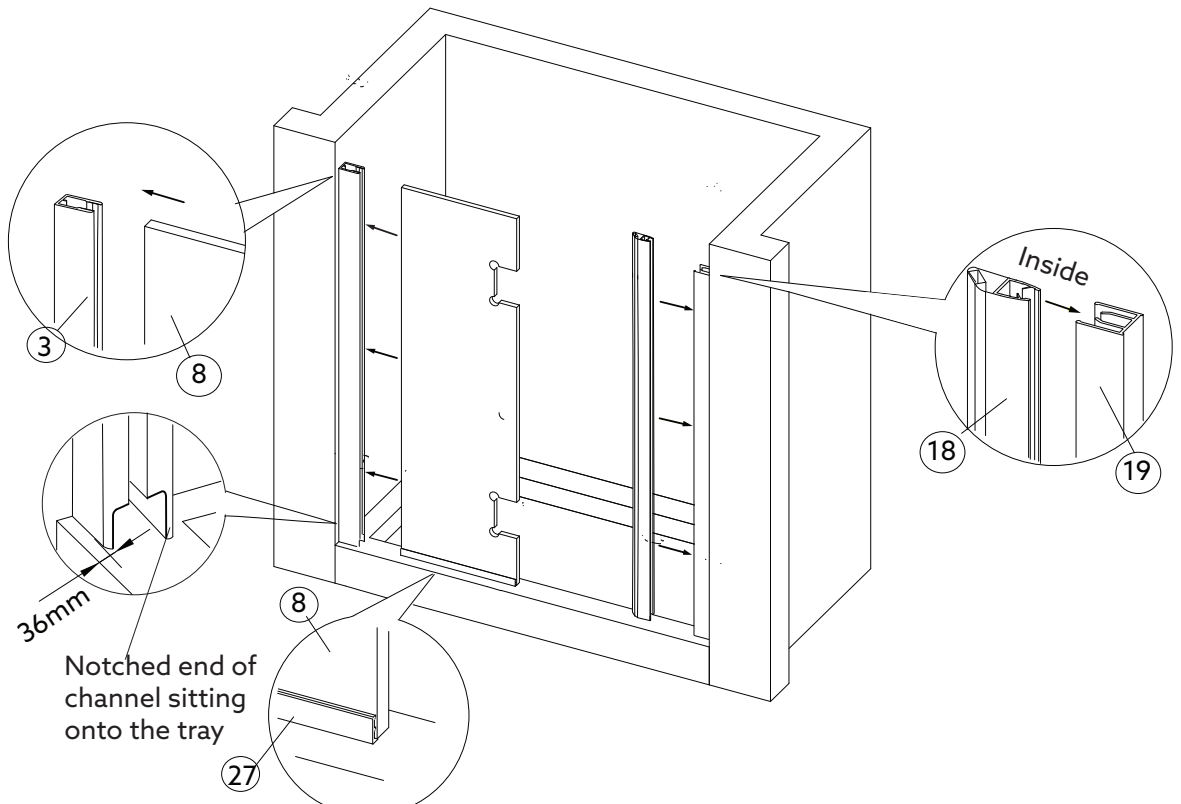
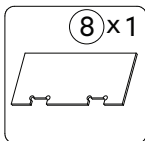
Note: Steps for Right Hand installation shown throughout



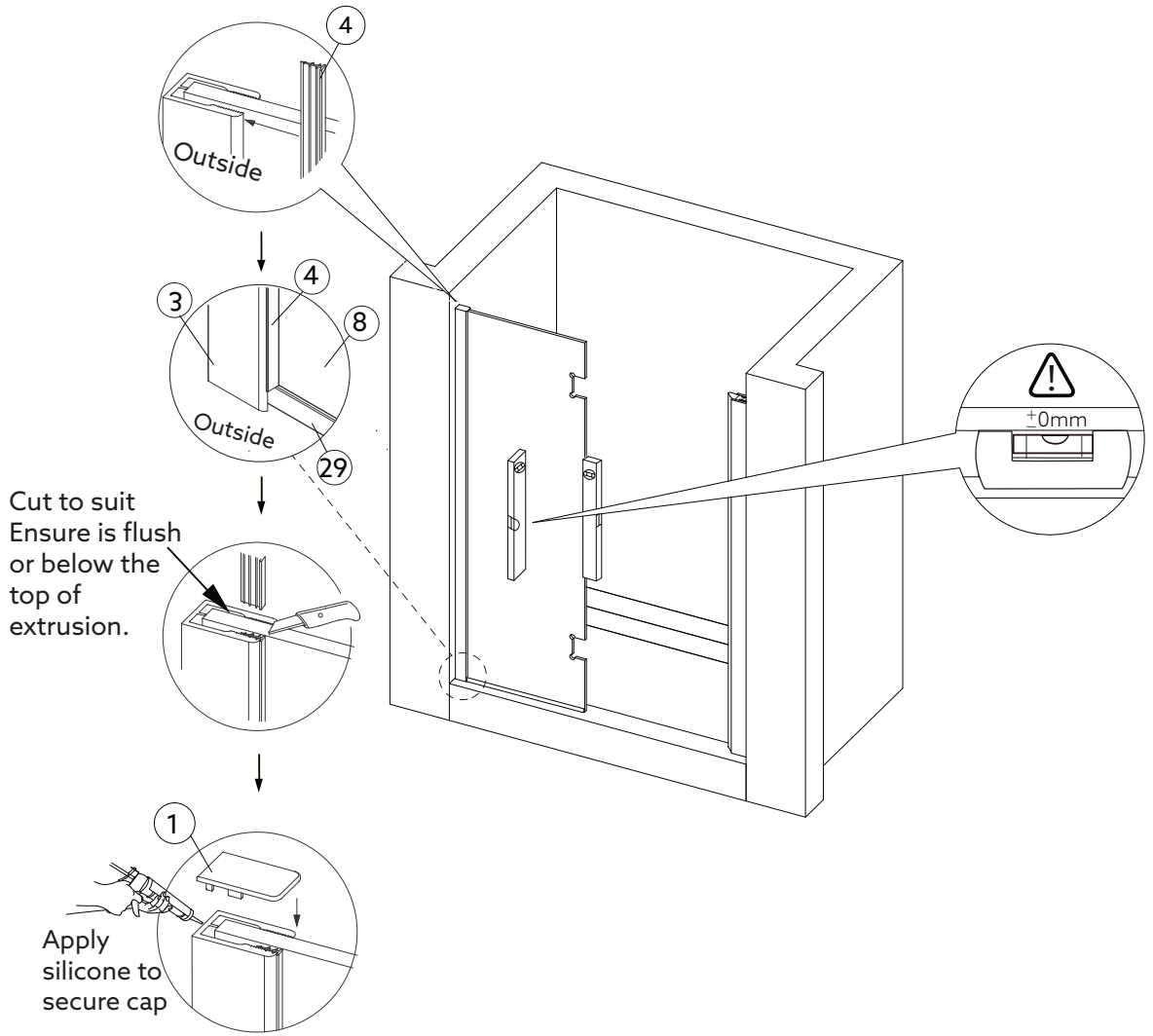
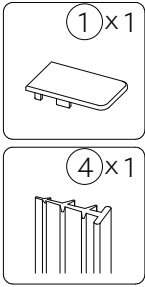
3



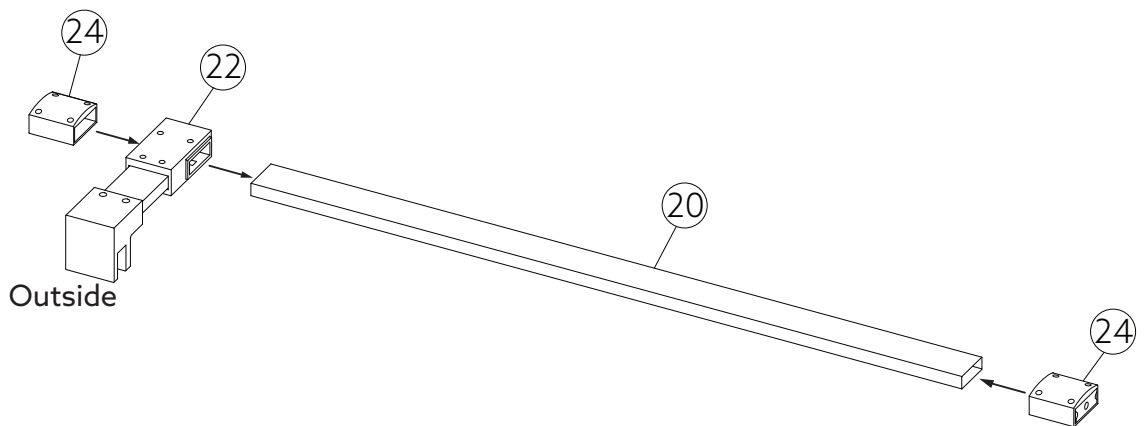
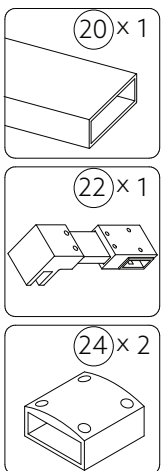
4



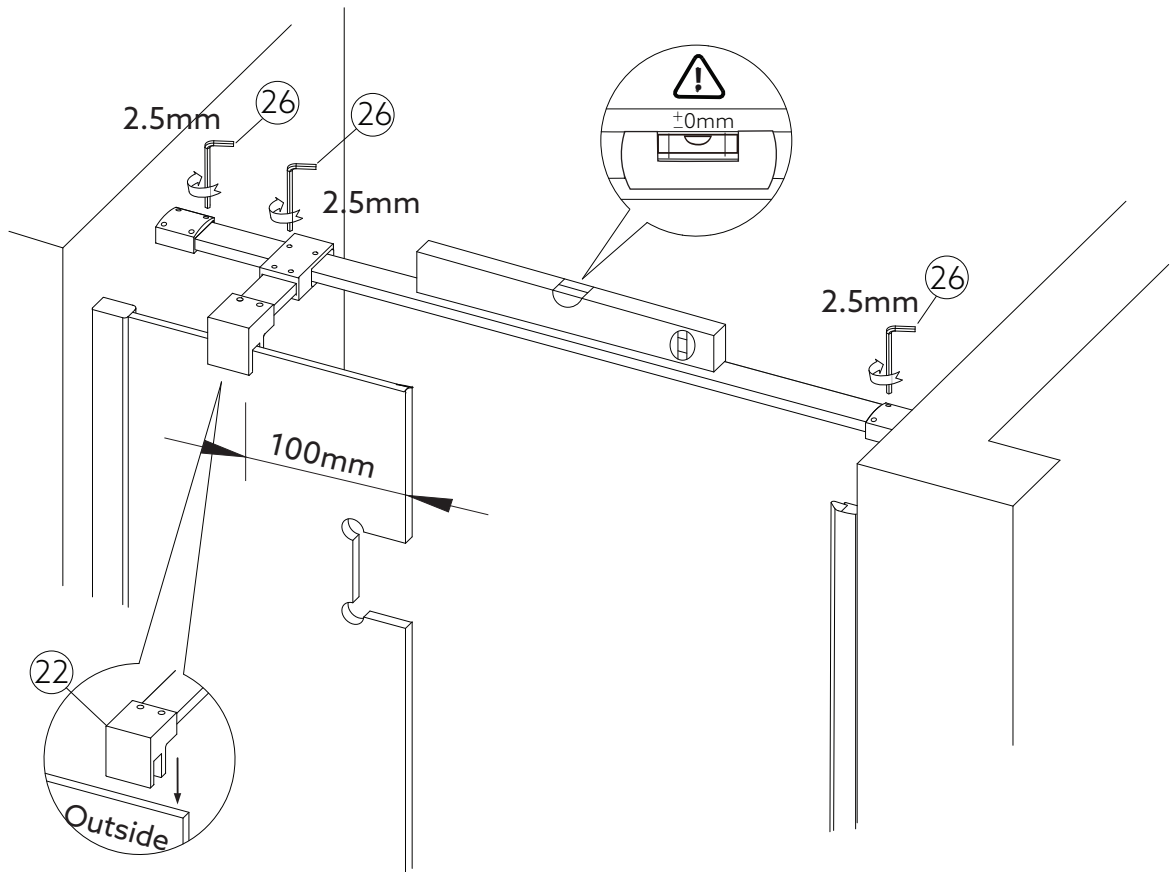
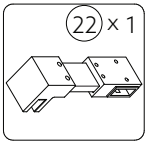
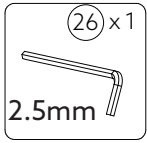
5a



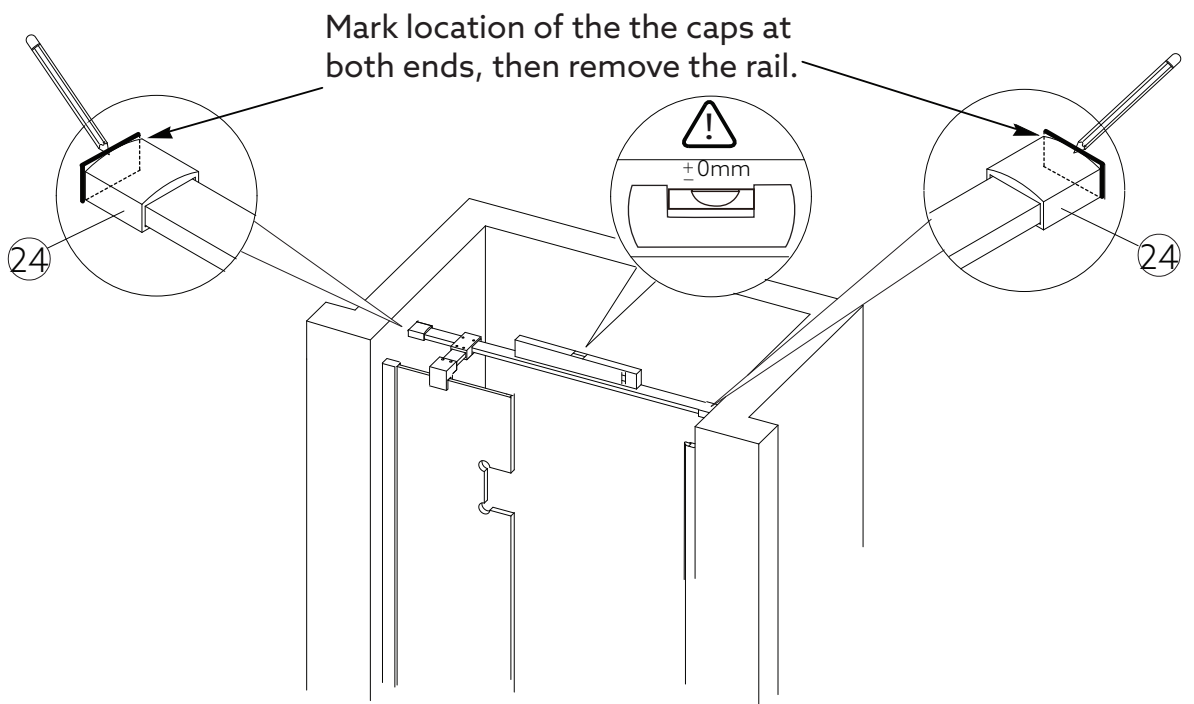
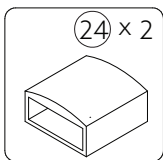
5b



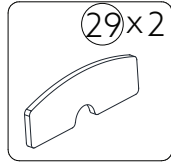
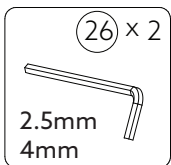
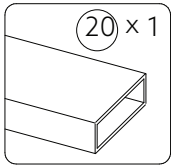
6



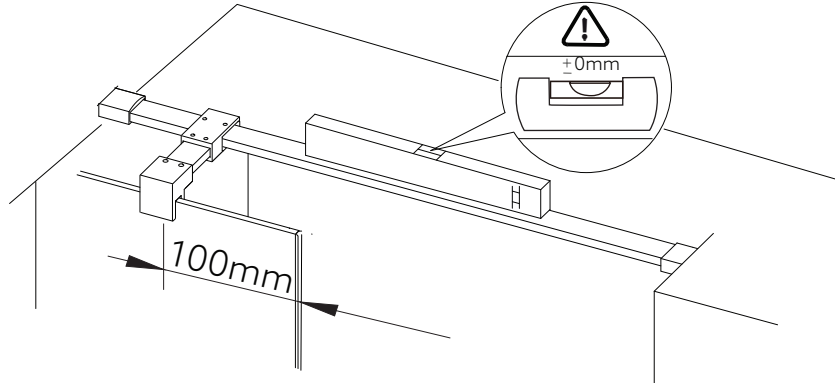
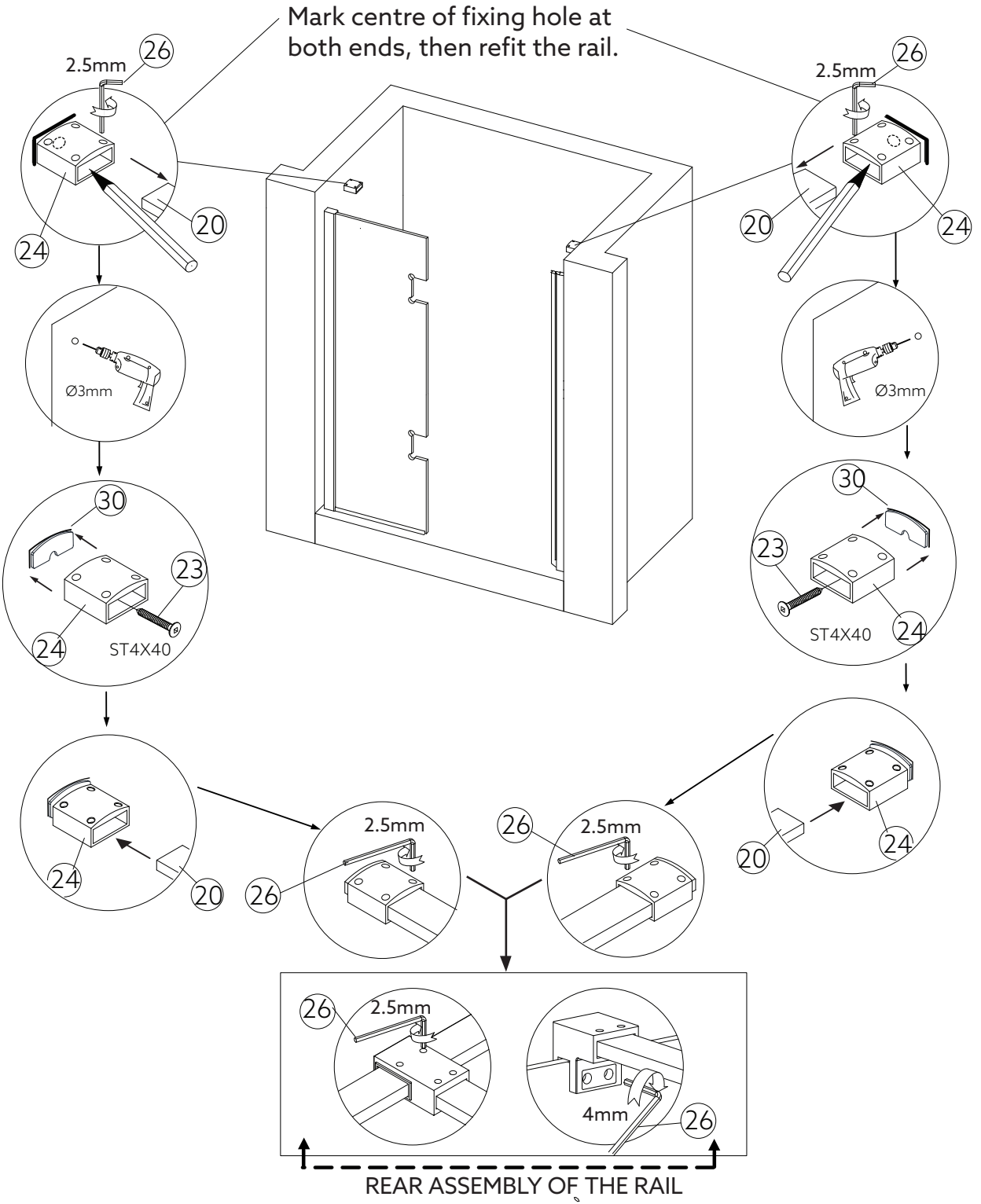
7a



7b

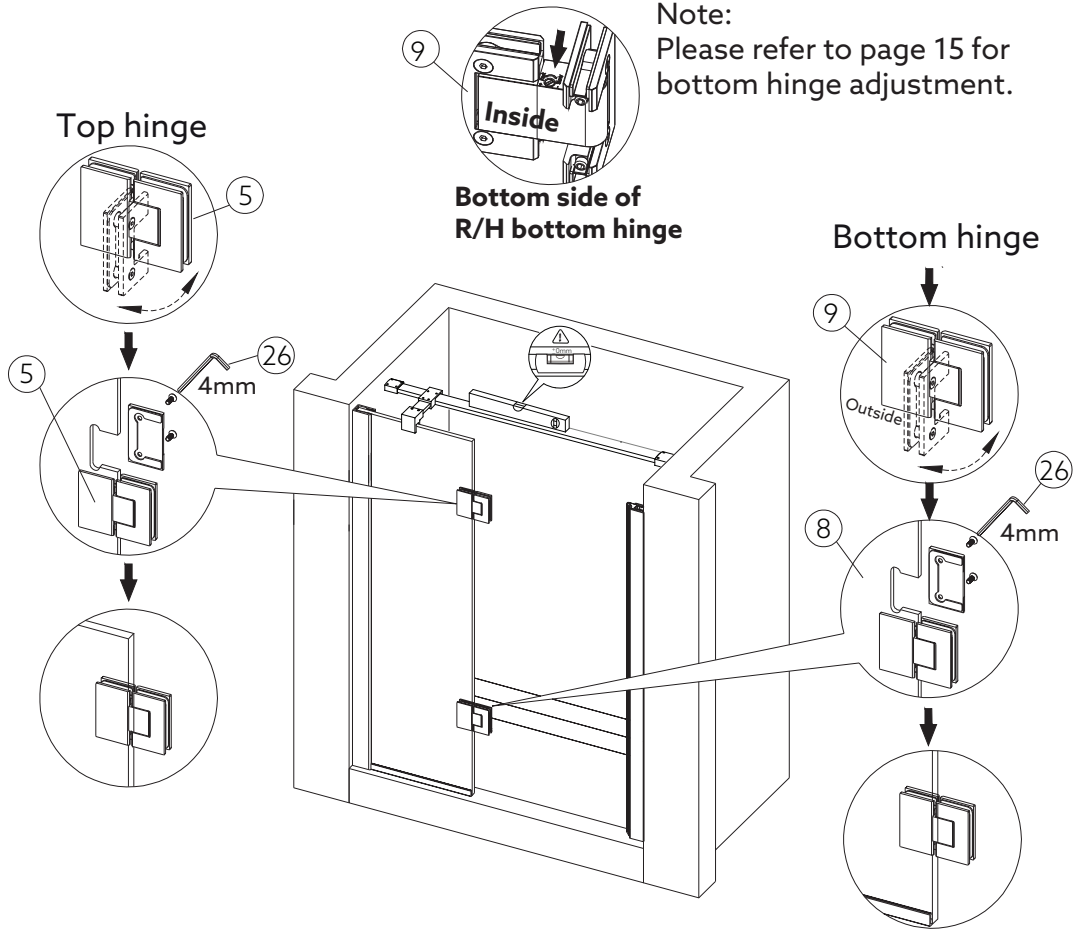


Mark centre of fixing hole at both ends, then refit the rail.



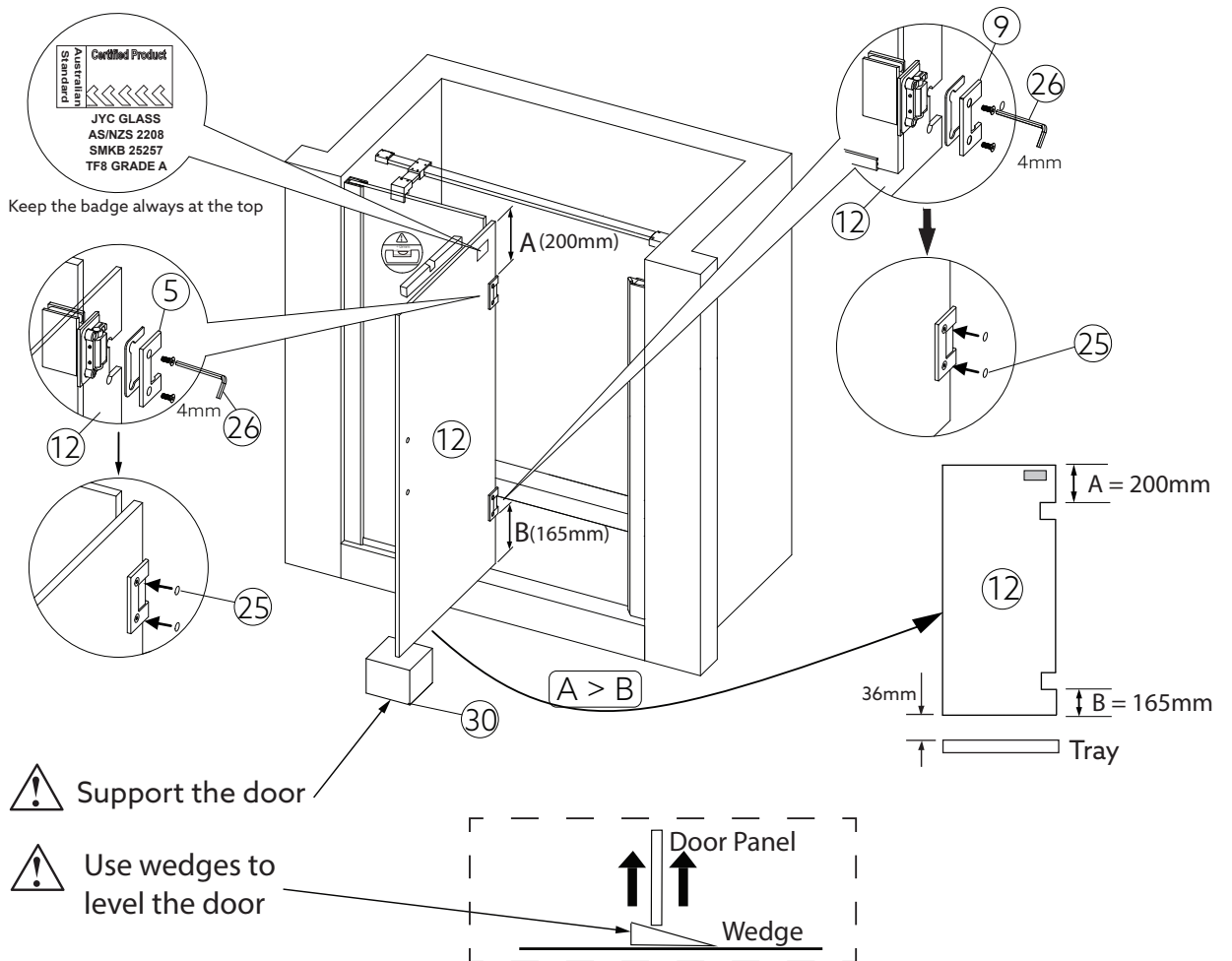
8

- 5x1**
Top Hinge
- 9x1**
Bottom Hinge
- 26x1**
4mm

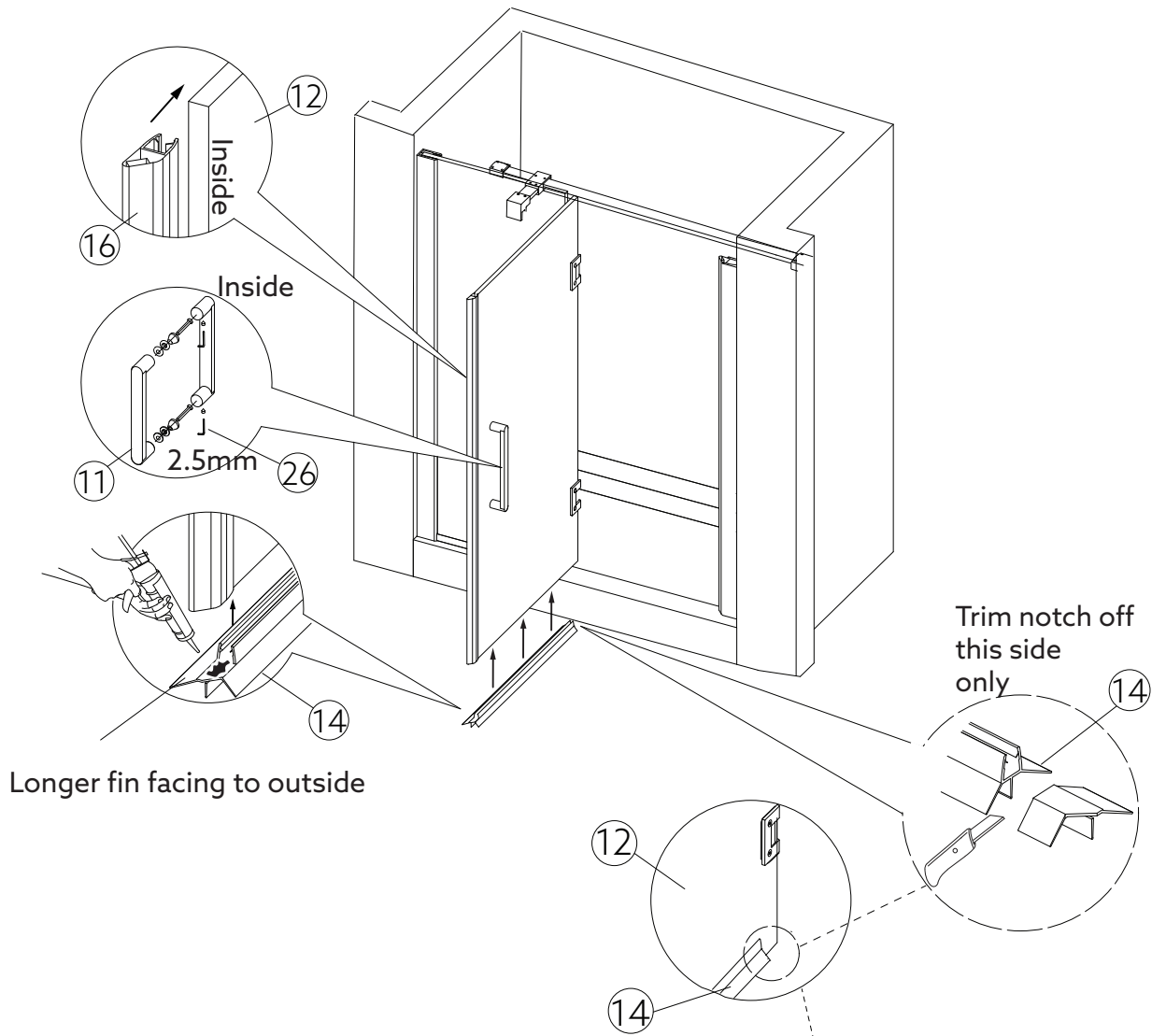
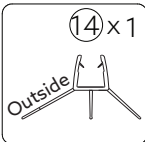
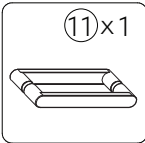


9

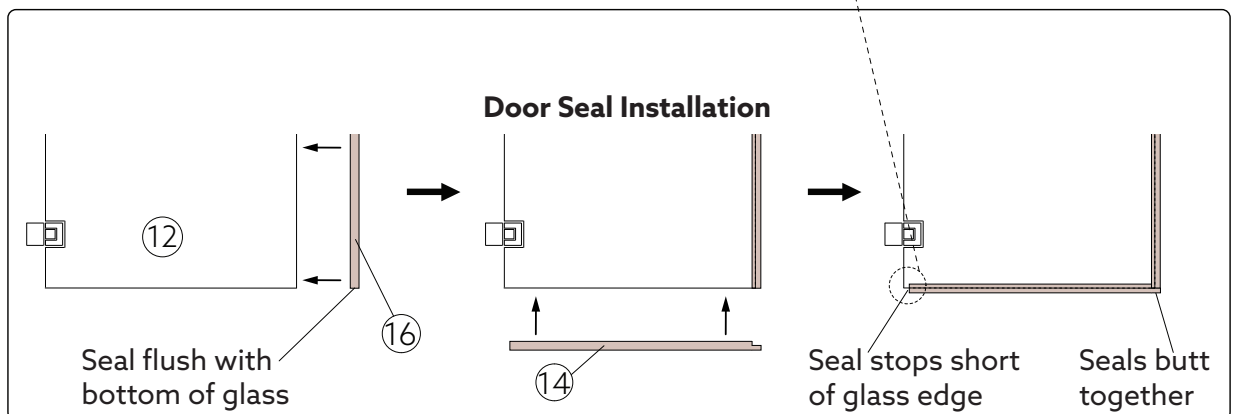
- 12x1**
- 25x8**
- 26x1**
4mm
- 30x1**



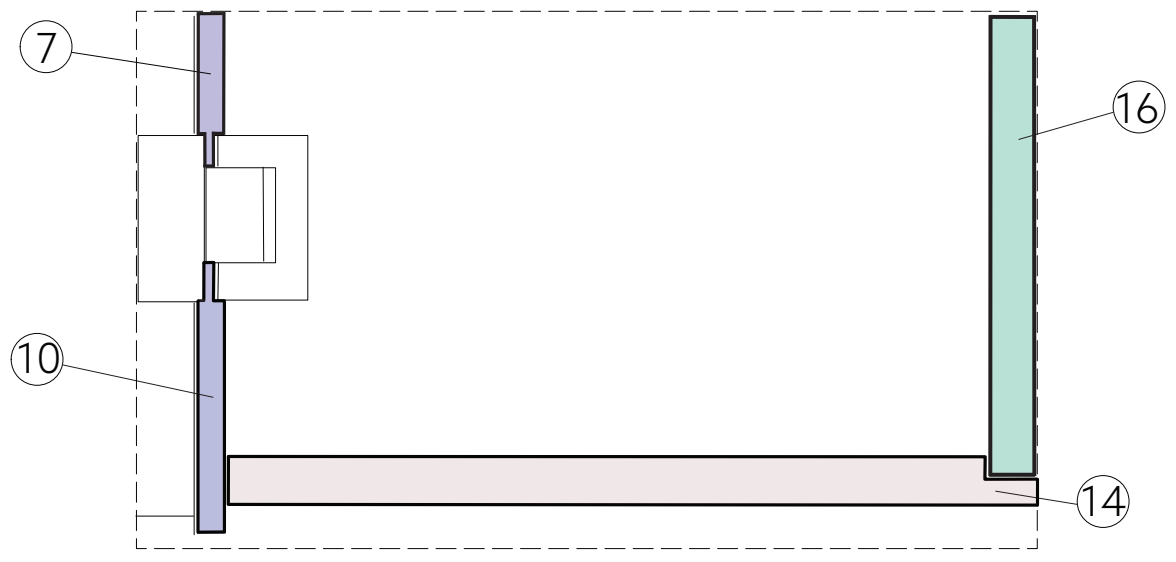
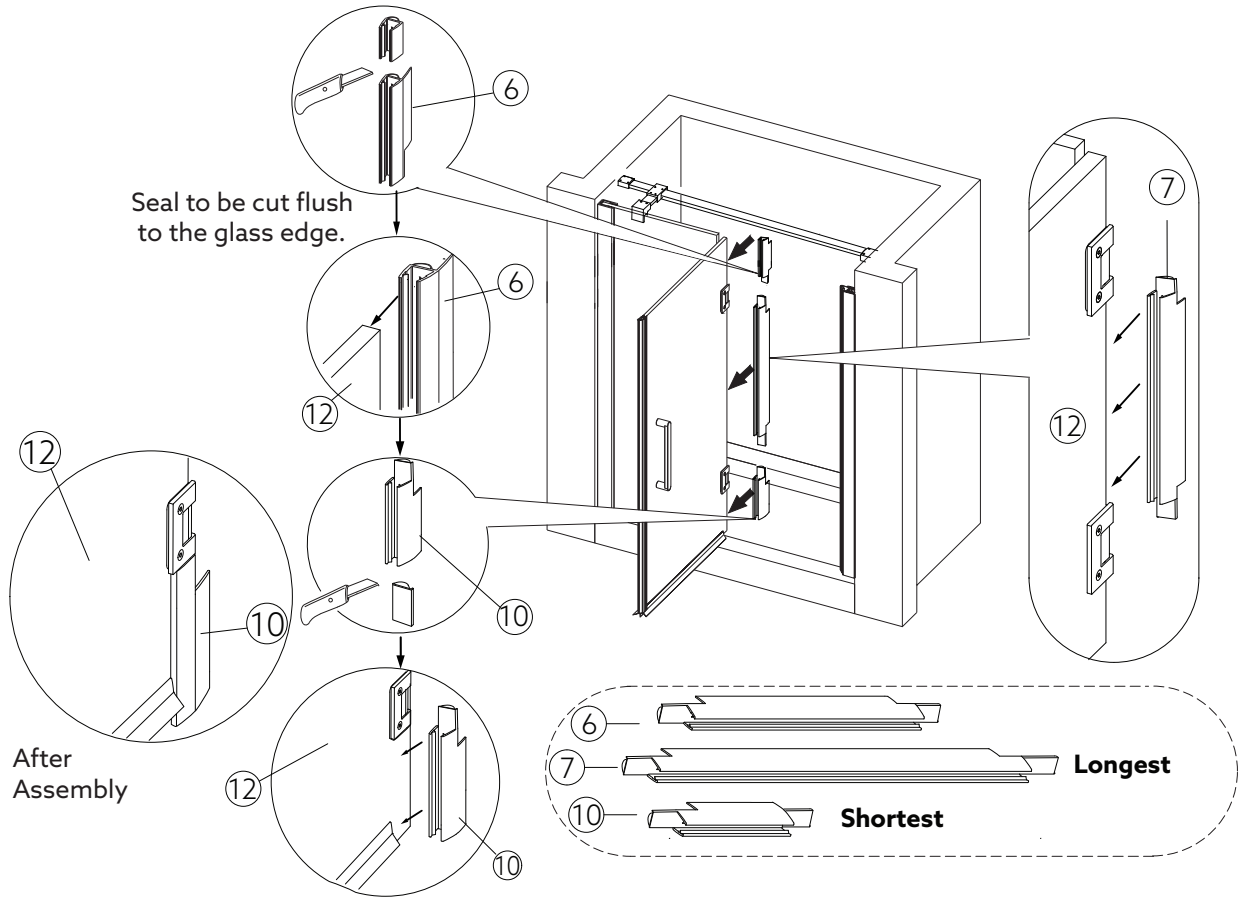
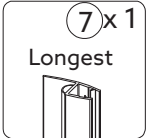
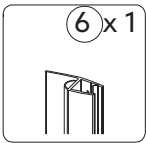
10



Longer fin facing to outside

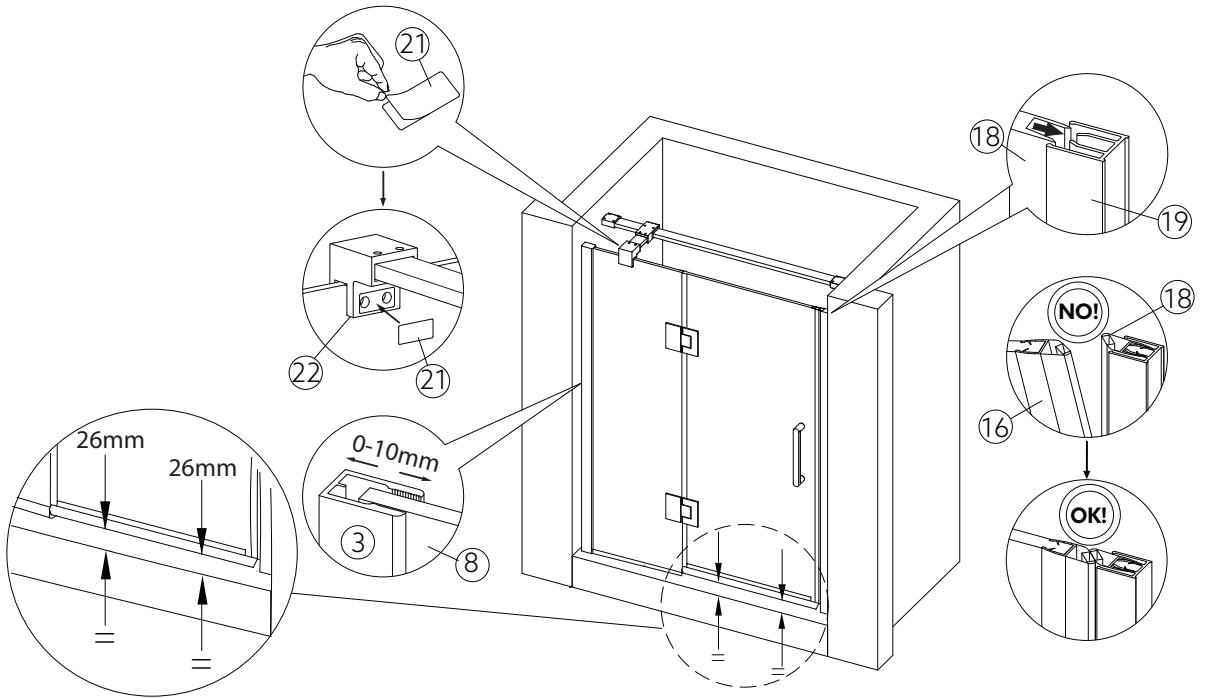


11



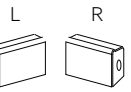
12

21 x 1



13

17 x 2



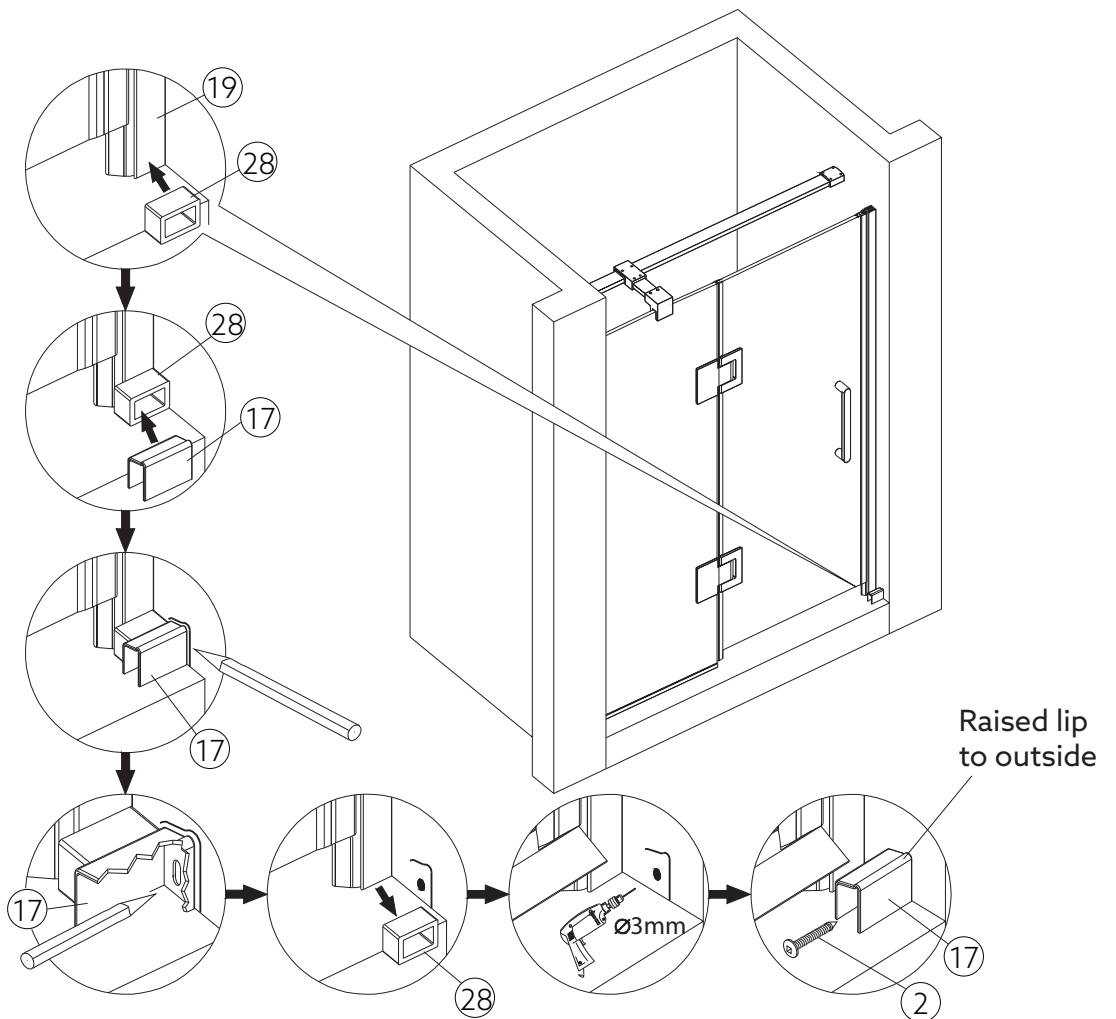
2 x 1



28 x 1

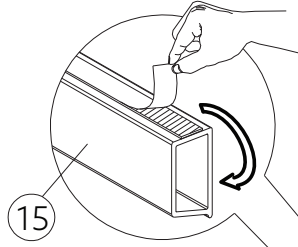
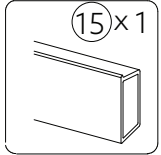
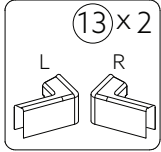


Jig Block

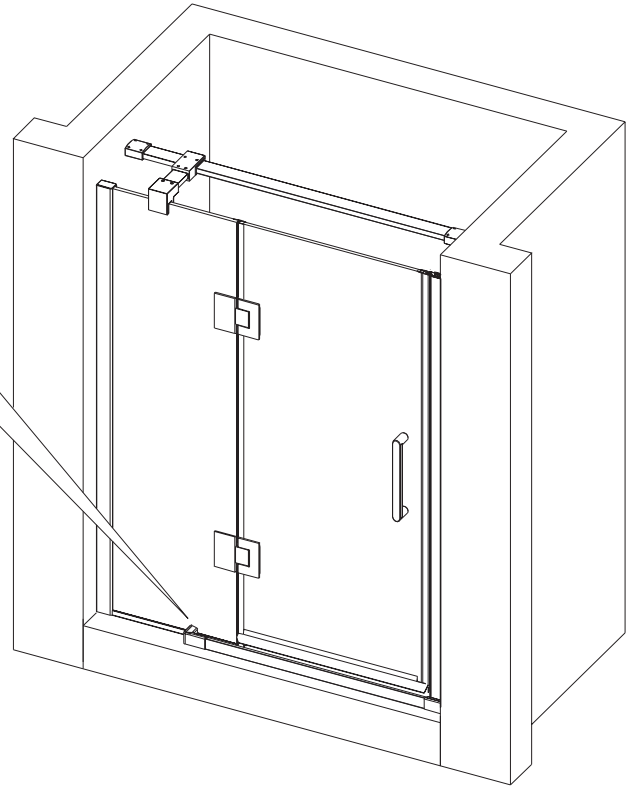
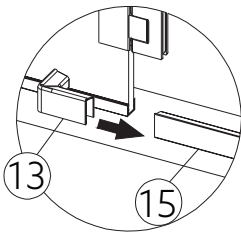
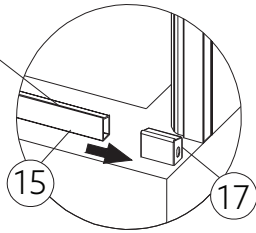


14

Peel back film and orient the channel so that the exposed tape is face down



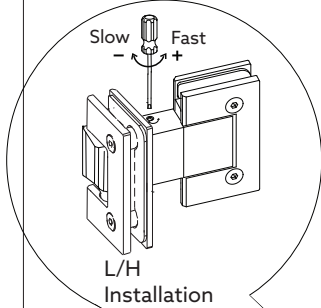
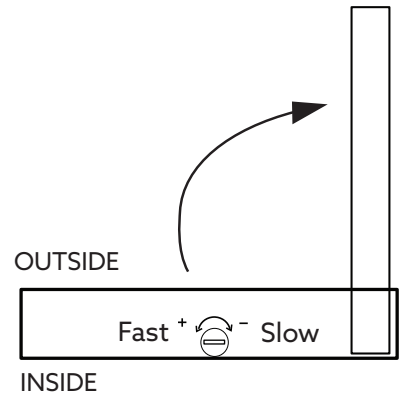
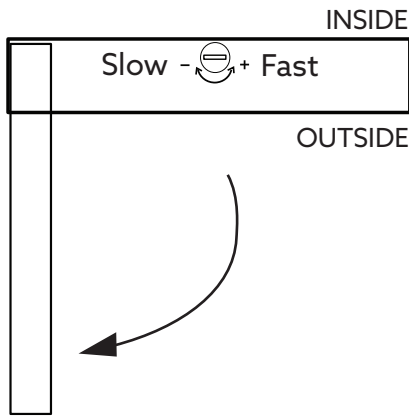
Raised lip to outside



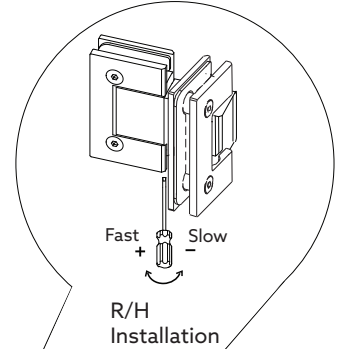
15

View from TOP SIDE
of bottom hinge
Left Hand Installation

View from BOTTOM SIDE
of bottom hinge
Right Hand Installtion

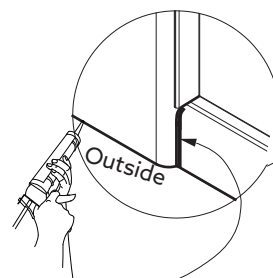


Apply silicone on full length.



To adjust door closing speed

To adjust door closing speed

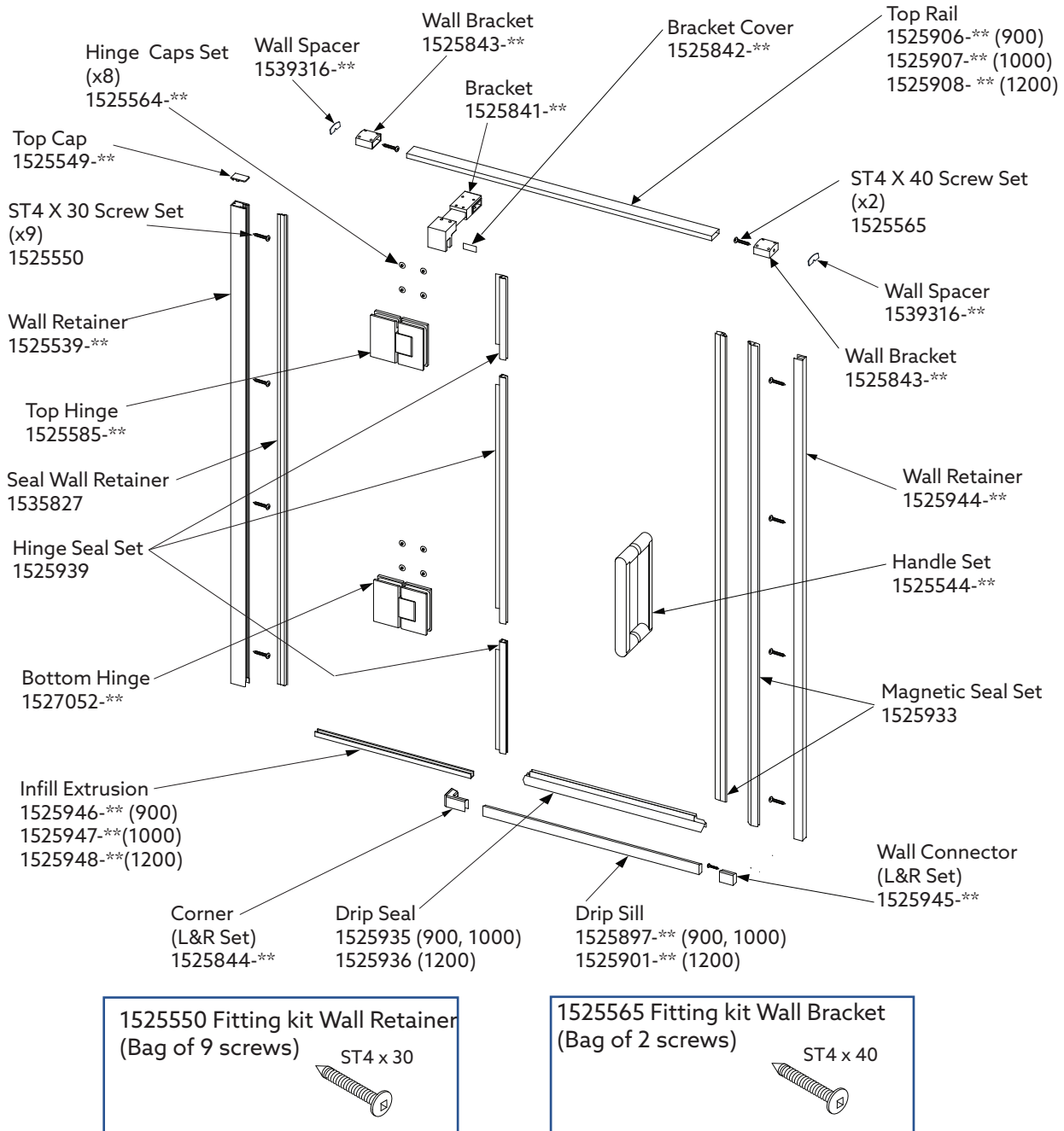


Take care to fill any gaps with silicone, and test for leaks

Seal on Outside

For door drip sill
Seal both inside and outside

SPARE PARTS:



CONTACT AND WARRANTY INFORMATION:

NEW ZEALAND
KOHLER NZ LTD

AUSTRALIA
KOHLER AUSTRALIA

Free Ph: 0800 100 382
 Free Fax: 0800 664 488
www.inglefield.co.nz

Free Ph: 1 800 ENGLEFIELD
 (1 800 364 533)
www.inglefield.com

For warranty information, please visit our website.

