

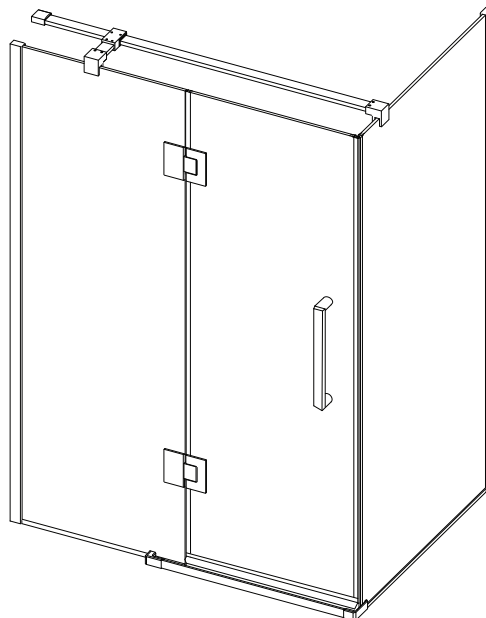
INSTALLATION INSTRUCTIONS

Englefield 
A KOHLER Company

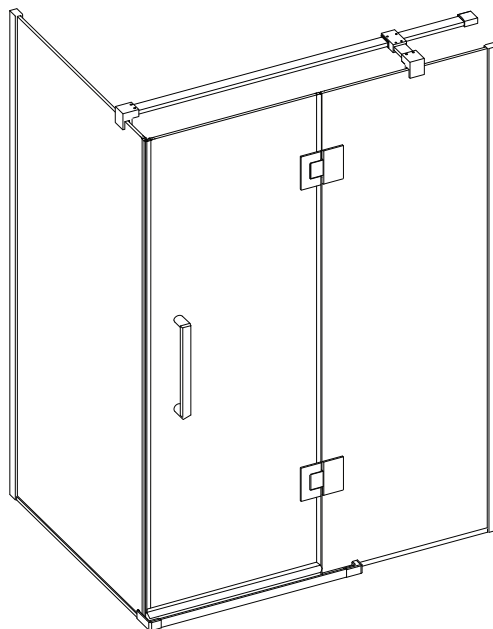
SHOWER | EVORA FRAMELESS CORNER HINGED DOOR

Englefield has a history of making superb showers and their popularity is testament to their quality and affordability.

It's the details that Englefield cares about - from pioneering the latest technology, to innovative design, it's all to make your showering experience the very best it can be.



RIGHT HAND INSTALLATION



LEFT HAND INSTALLATION



To assist with product tracking the shower has QR code label underneath the wall retainer caps. Use this QR code when contacting customer support for assistance with your newly purchased shower.

BEFORE YOU BEGIN:

Before installing the shower please read these instructions carefully to familiarise yourself with the required tools, materials, and installation sequences. Please leave these instructions for the consumer after installation. Refer to the separate care and maintenance guide for important care and cleaning information.

Ensure that the installation of the shower tray and wall, where applicable, is completed prior the installation of the shower door and return. Follow all warnings, cautions and instructions contained in this guide.

SAFETY

1. ENGLEFIELD strongly recommends that a minimum of TWO persons install this enclosure due to the weight of the door panels
2. Toughened safety glass cannot be cut. Risk of injury or product damage.
3. Wear protective footwear when lifting panels.
4. Wear safety glasses when drilling.

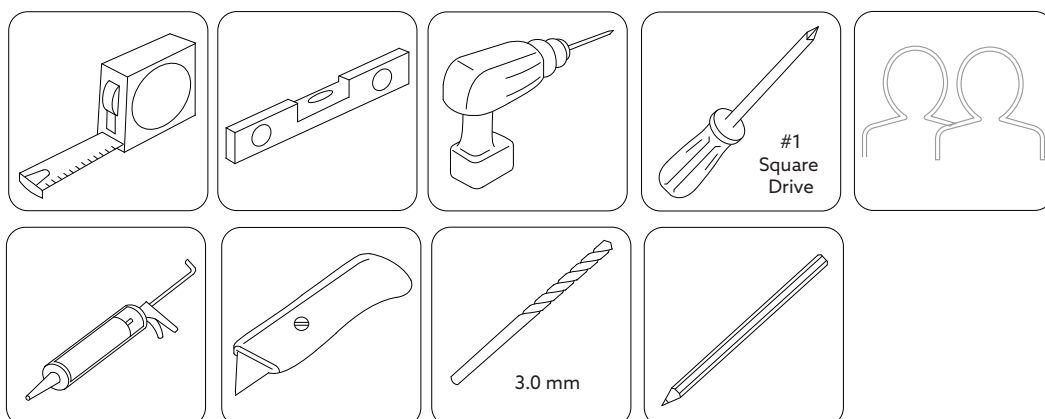
ATTENTION

1. The wall retainers must be installed onto a waterproof, vertical and flat wall surface. Failure to do so will result in an unsatisfactory seal, which may cause property damage. The wall inclination (out of squareness) is recommended to be out by no more than +/- 2mm/m.
2. Please install this door onto an ENGLEFIELD tray, unless installing directly onto tiled walls and floor.

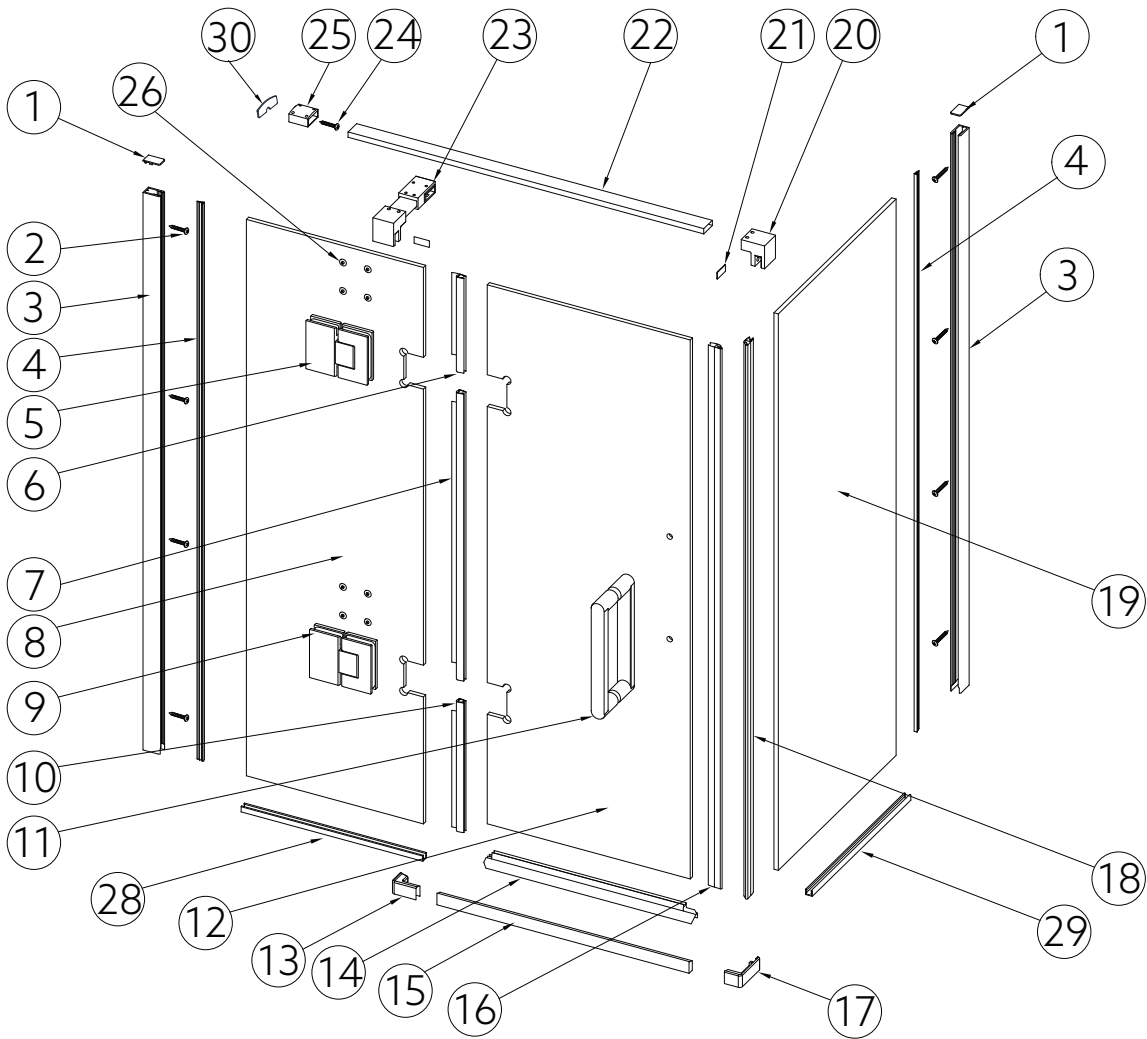
 For the door to operate correctly the floor and tray **MUST BE level**.

3. Care must be taken when drilling into walls and floors to avoid any hidden pipes or wires.
4. It is the responsibility of the INSTALLER to ensure that the installation complies with council and or local authority by laws.

TOOLS AND MATERIALS REQUIRED:



PARTS IDENTIFICATION:



①×2	②×8 ST4 x 30	③×2	④×2	⑤×1 Top Hinge	⑥×1	⑦×1 Longest	⑧×1
⑨×1 Bottom Hinge	⑩×1 Shortest	⑪×1	⑫×1	⑬×2 L R	⑭×1	⑮×1	⑯×1 Shortest
⑰×2 L R	⑱×1 Longest	⑲×1	⑳×1	㉑×2	㉒×1	㉓×1	㉔×1 ST4 x 40
㉕×1	㉖×8	㉗×2 2.5mm 4mm	㉘×1 Shortest	㉙×1 Longest	㉚×1	㉛×1	

CONSTRUCTION REQUIREMENTS:

Wall Framing:

For acrylic tray with acrylic or tiled wall

Size	Dim 'A'	Dim 'B'
900 x 900	900	900
1000 x 1000	1000	1000
1200 x 900 LH	1200	900
1200 x 900 RH	900	1200

* Measure to Framing

Note: This setup allows for the use of standard 10mm wall board. On tiled walls, the complete door system must be installed onto the waterproof membrane prior to wall tiling.

For tile floor and tile wall - Finished surfaces

Size	Dim 'A' *	Dim 'B' *	Dim 'C'	Dim 'D'
900 x 900 LH	940	914	886	886
900 x 900 RH	914	940	886	886
1000 x 1000 LH	1040	1014	986	986
1000 x 1000 RH	1014	1040	986	986
1200 x 900 LH	1240	914	1186	886
1200 x 900 RH	914	1240	886	1186
1200 x 1000 LH	1240	1014	1186	986
1200 x 1000 RH	1014	1240	986	1186

NOTE: Before tiling, ensure that there is adequate timber framing for the shower system to be fixed into.

"A" & "B"

* Indicative dimensions catering for 10mm wallboard plus a combined tile and cement thickness of 10-20mm.

"C" & "D"

* Measure to Finished Surfaces

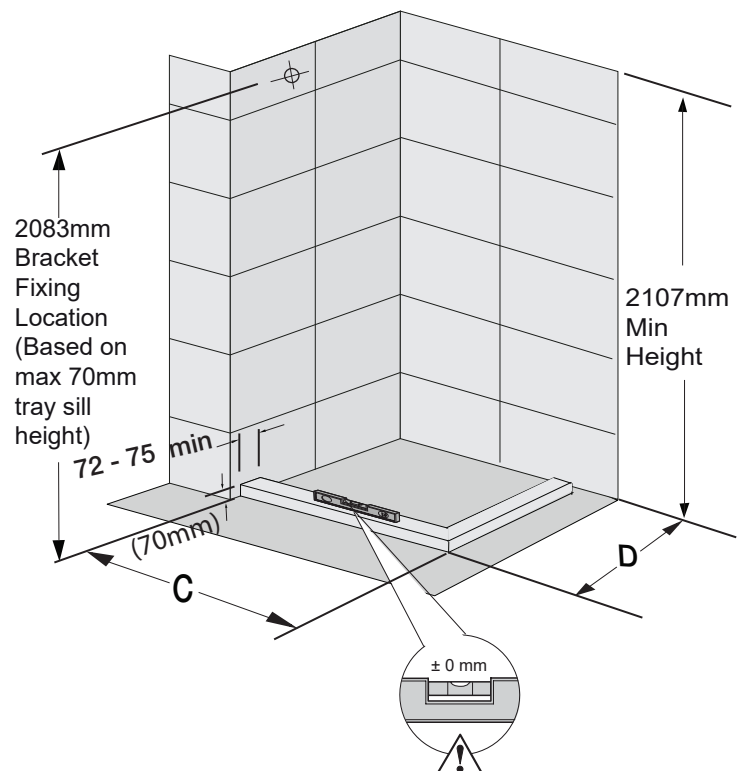
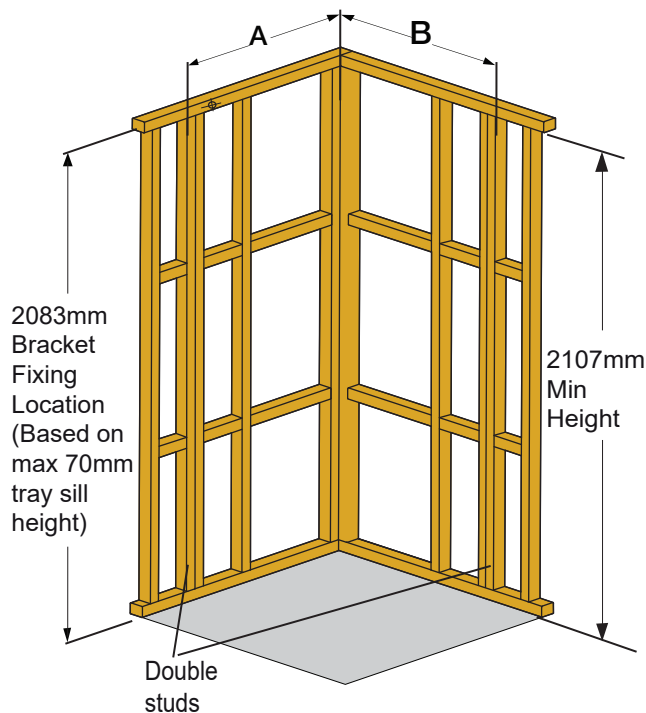
Finish/Tiled hob to be :

- 1-2° fall front to back is acceptable.
2. Level (+/-0mm) left or right.



ATTENTION

Due to the weight of the glass panels Englefield strongly recommends constructing double studs (as below) to fix the wall retainers to.



* Ensure there is nogging for bracket fixing screw

INSTALLATION - OPTIONS:

OPTION 1 - Acrylic Wall & Tray

Tray: For tray installation refer to the instructions supplied with the tray.

Wall: For wall installation refer to the instructions supplied with the wall.

- Proceed to Door and Return Installation.

OPTION 2 - Tiled Wall & Acrylic Tray

Tray: For tray installation please refer to the instructions supplied with the tray.

Tiled Wall:



ATTENTION

The complete door system MUST be installed onto the waterproof membrane PRIOR TO WALL TILING.

Failure to install the complete door system before tiling may mean the door system will not fit on the shower tray due to the tile thickness.

- Proceed to Door and Return Installation.

OPTION 3 - Tiled Wall & Floor

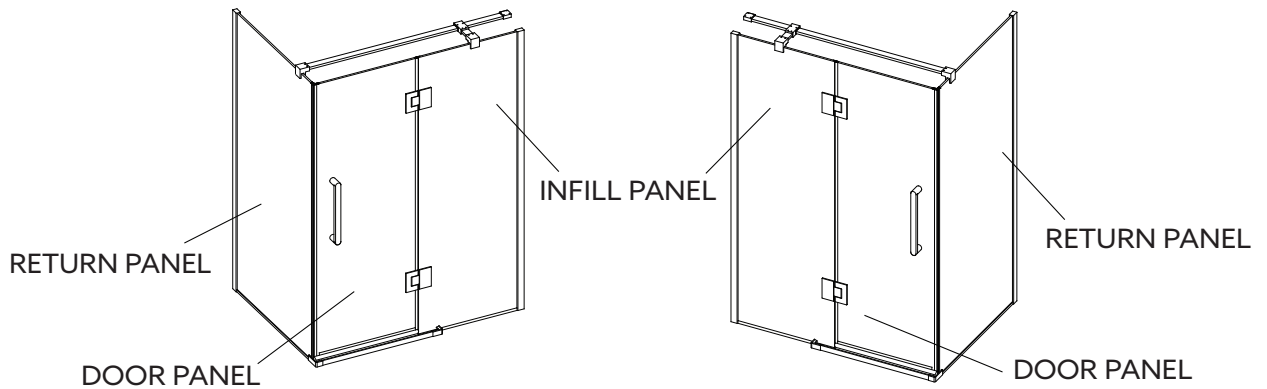
- The door and return can be installed directly onto the wall and floor tiles.

- Proceed to Door and Return Installation.

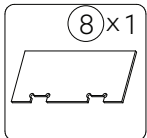
INSTALLATION - OPTIONS:

LEFT HAND INSTALLATION

RIGHT HAND INSTALLATION



1



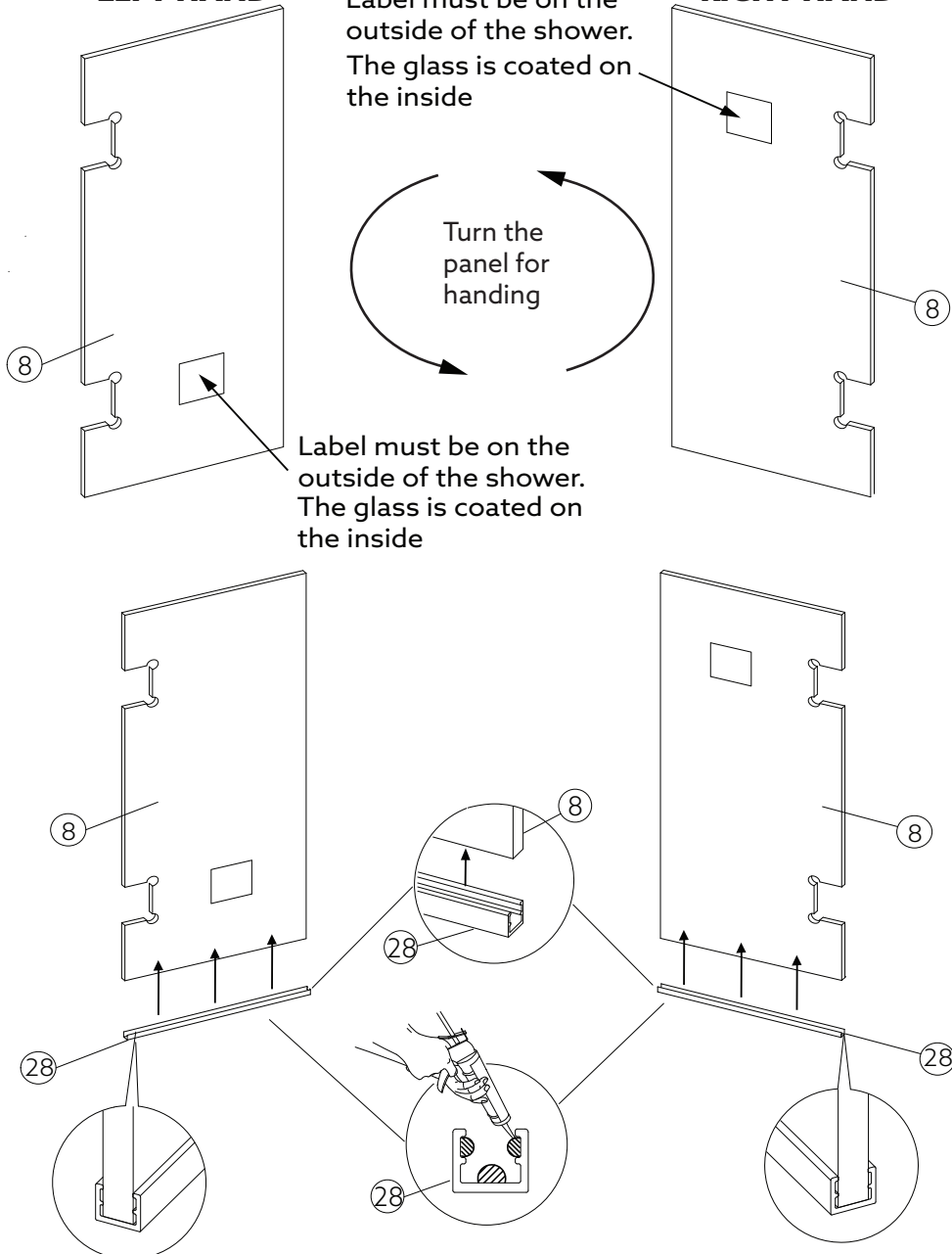
INFILL HANDING

LEFT HAND

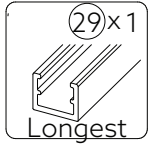
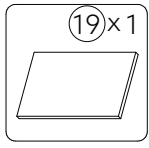
RIGHT HAND

Label must be on the outside of the shower.
The glass is coated on the inside

Turn the panel for handing

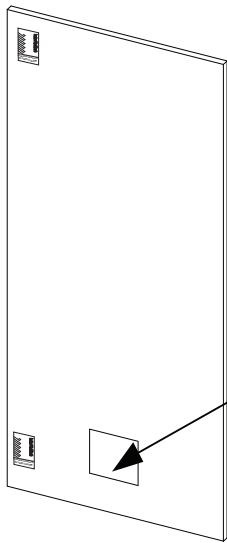


2

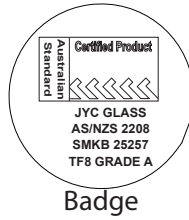
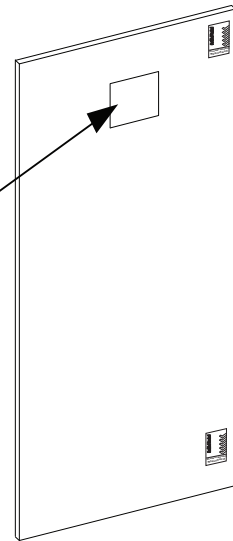


RETURN HANDING

LEFT HAND

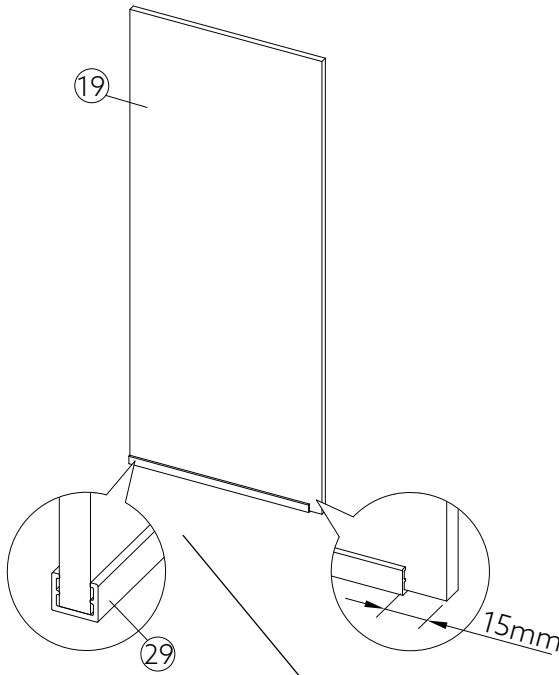


RIGHT HAND

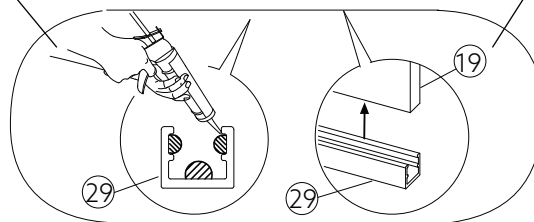
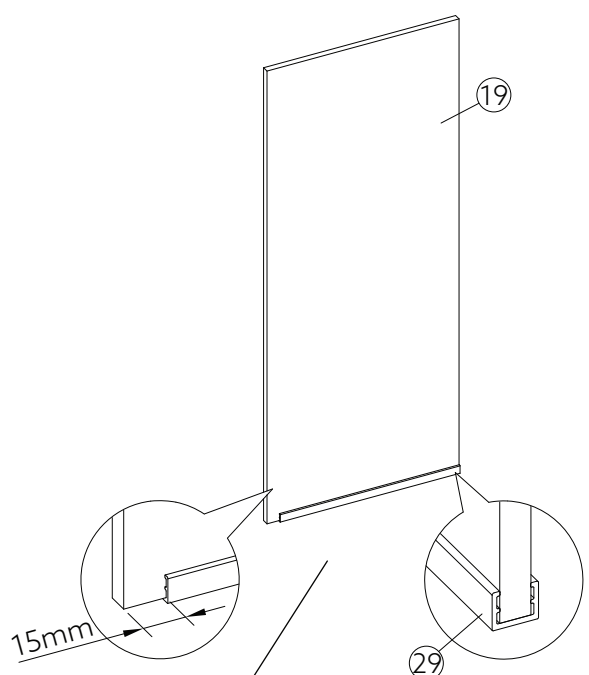


Label must be on the outside of the shower.
The glass is coated on the inside

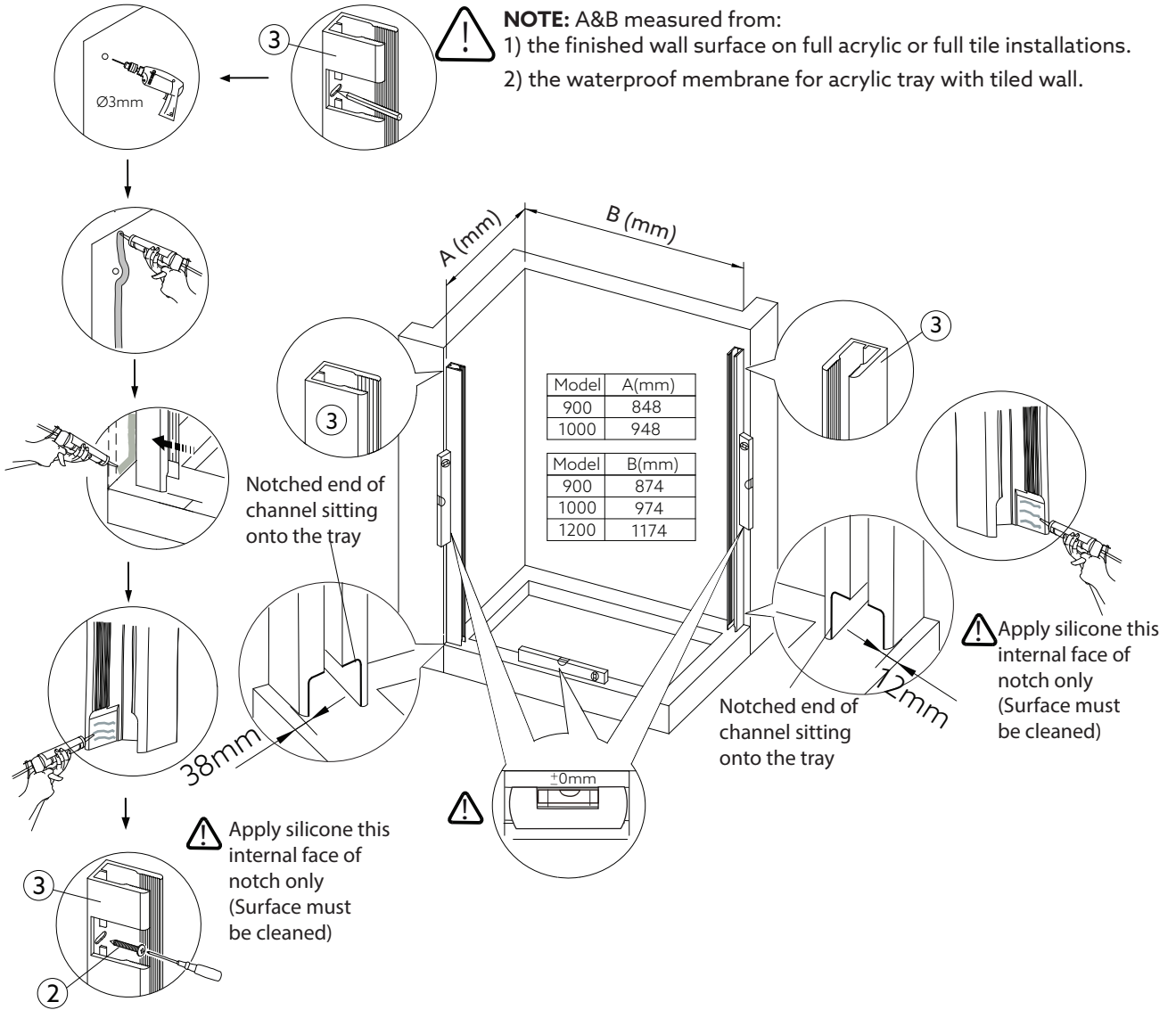
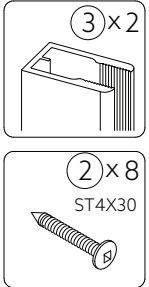
LEFT HAND



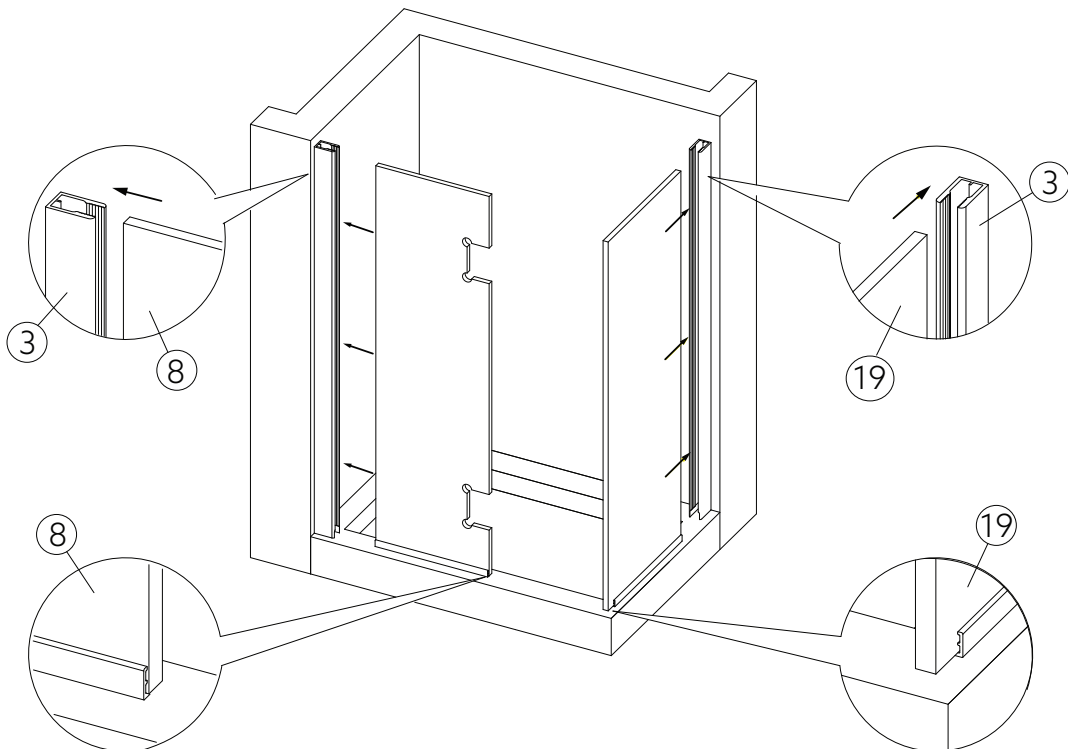
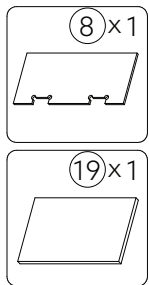
RIGHT HAND



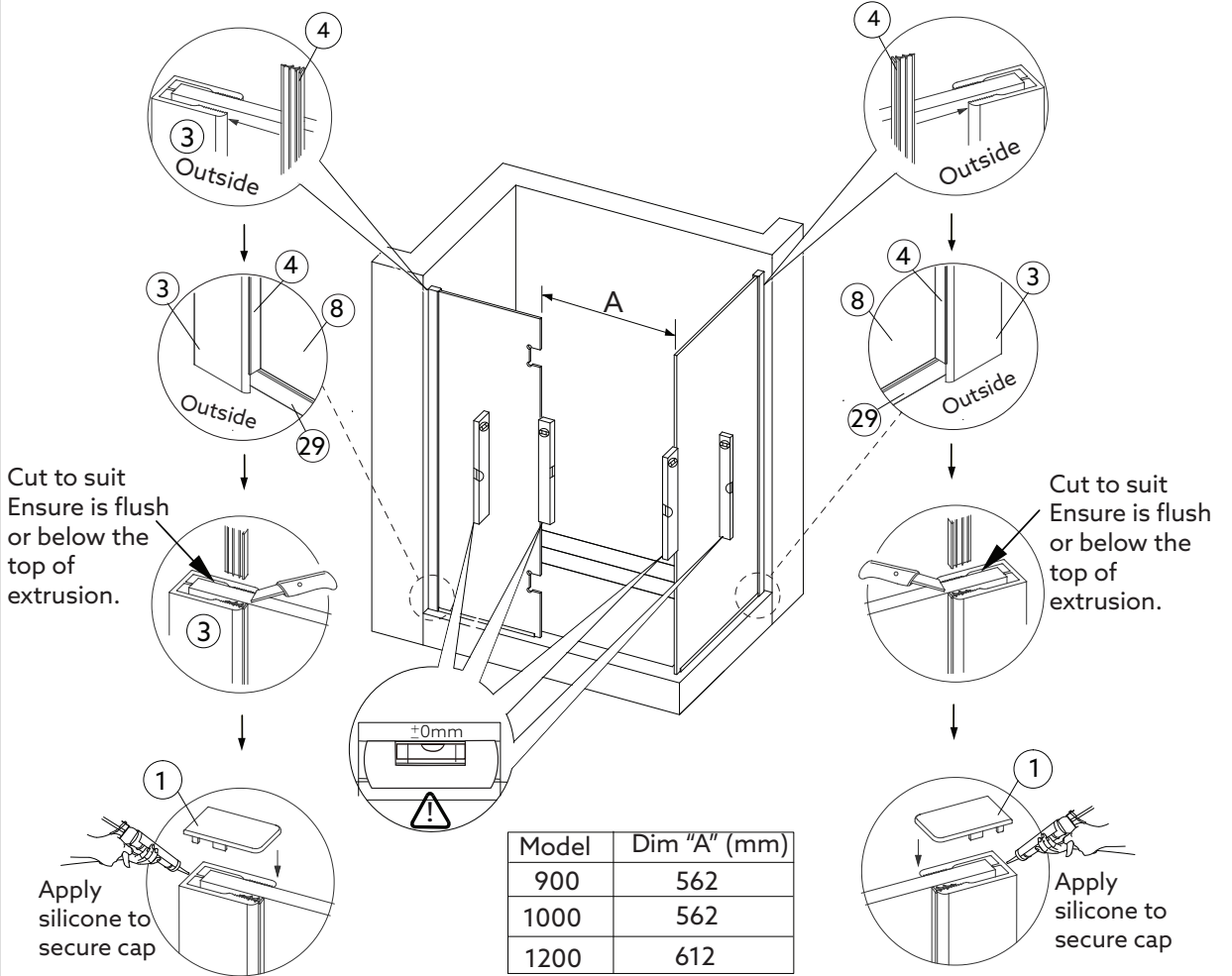
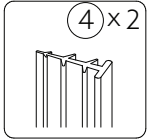
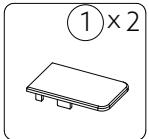
3



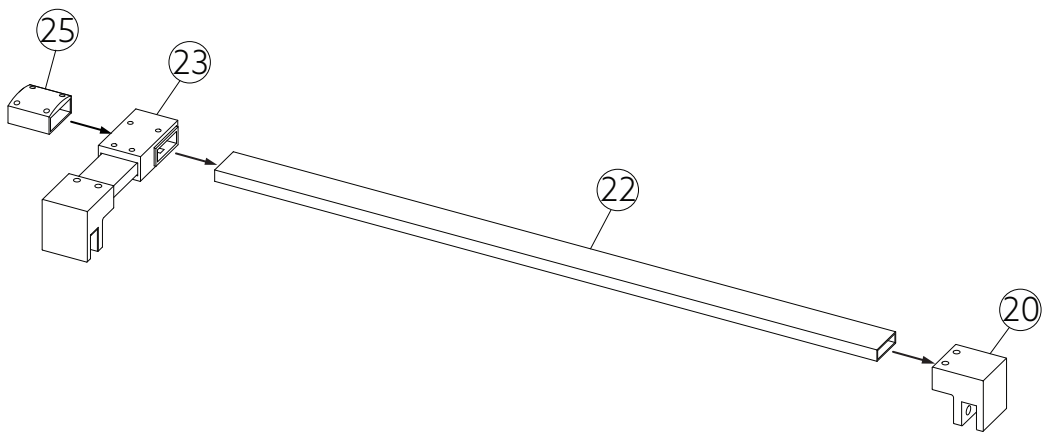
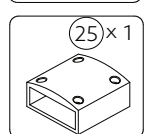
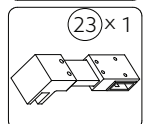
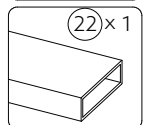
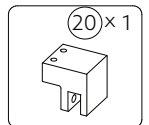
4



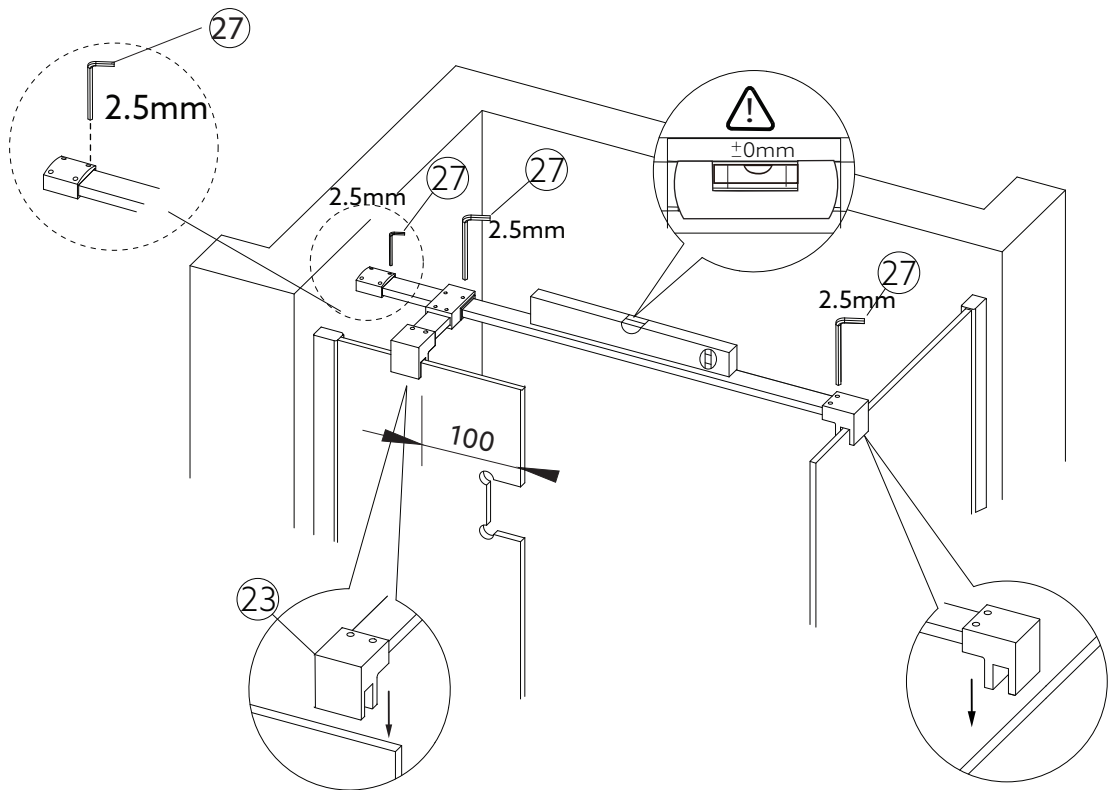
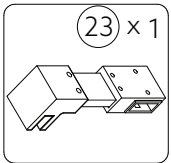
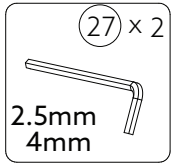
5a



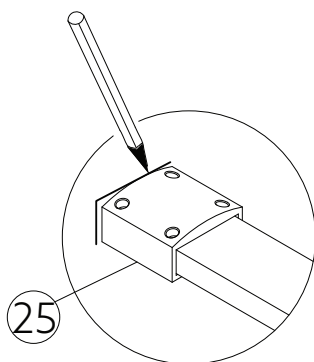
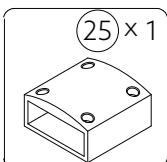
5b



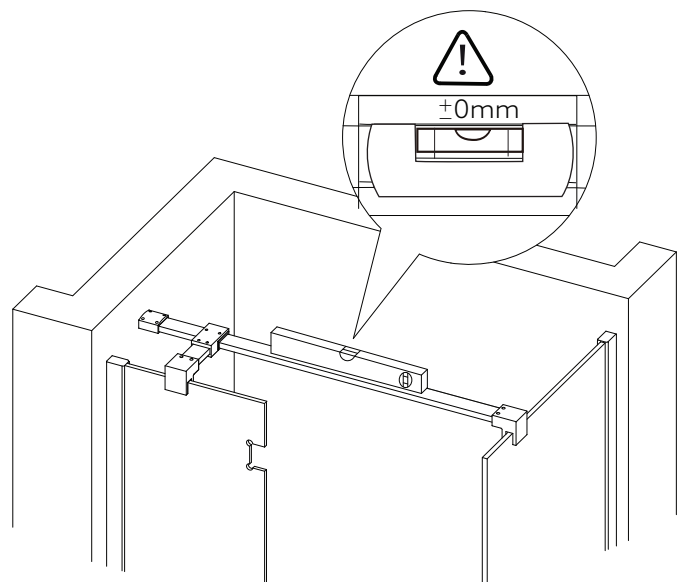
6



7

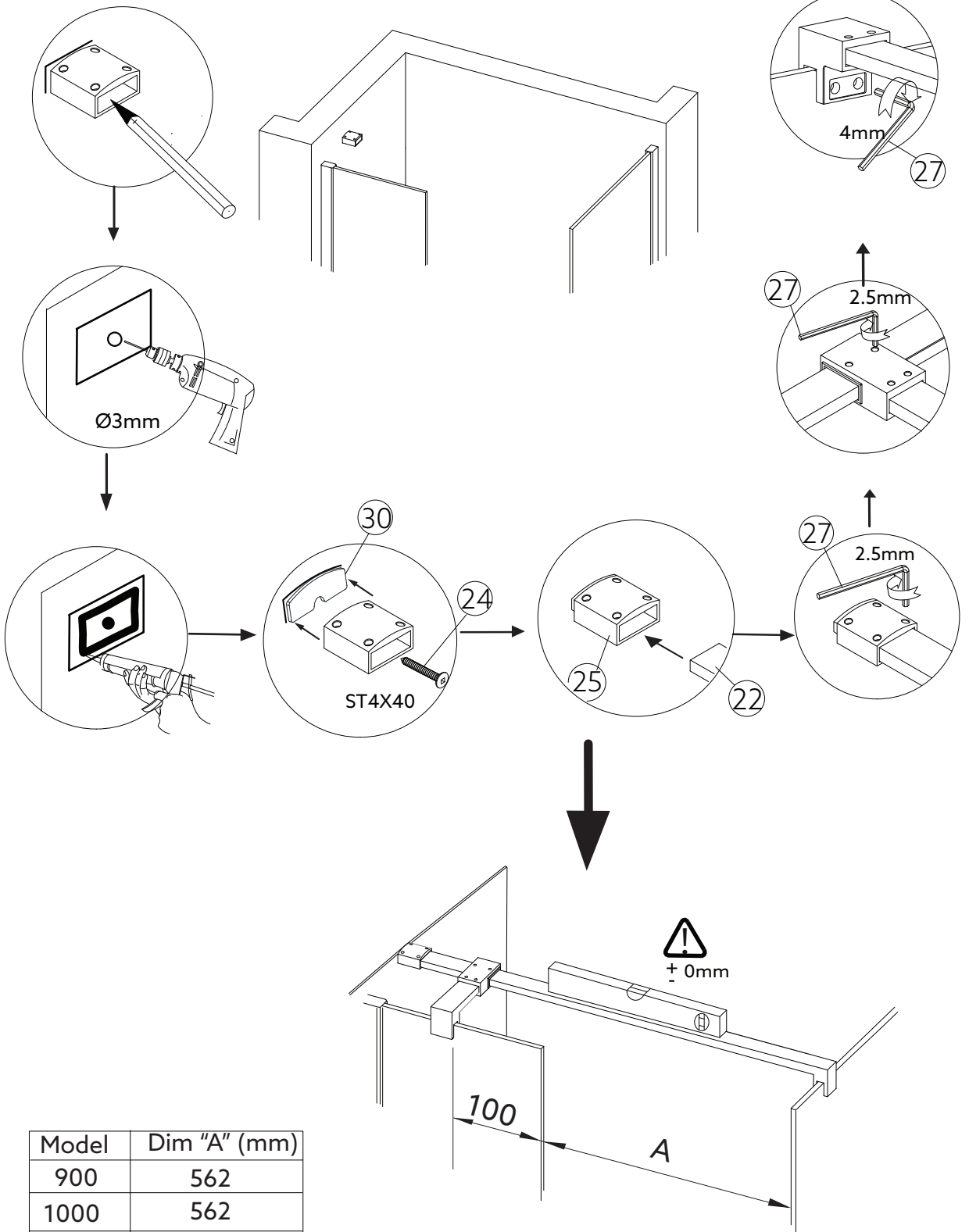
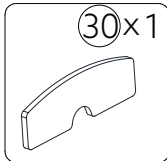
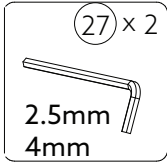
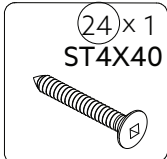


Mark location of the cap
Then remove the rail.



8

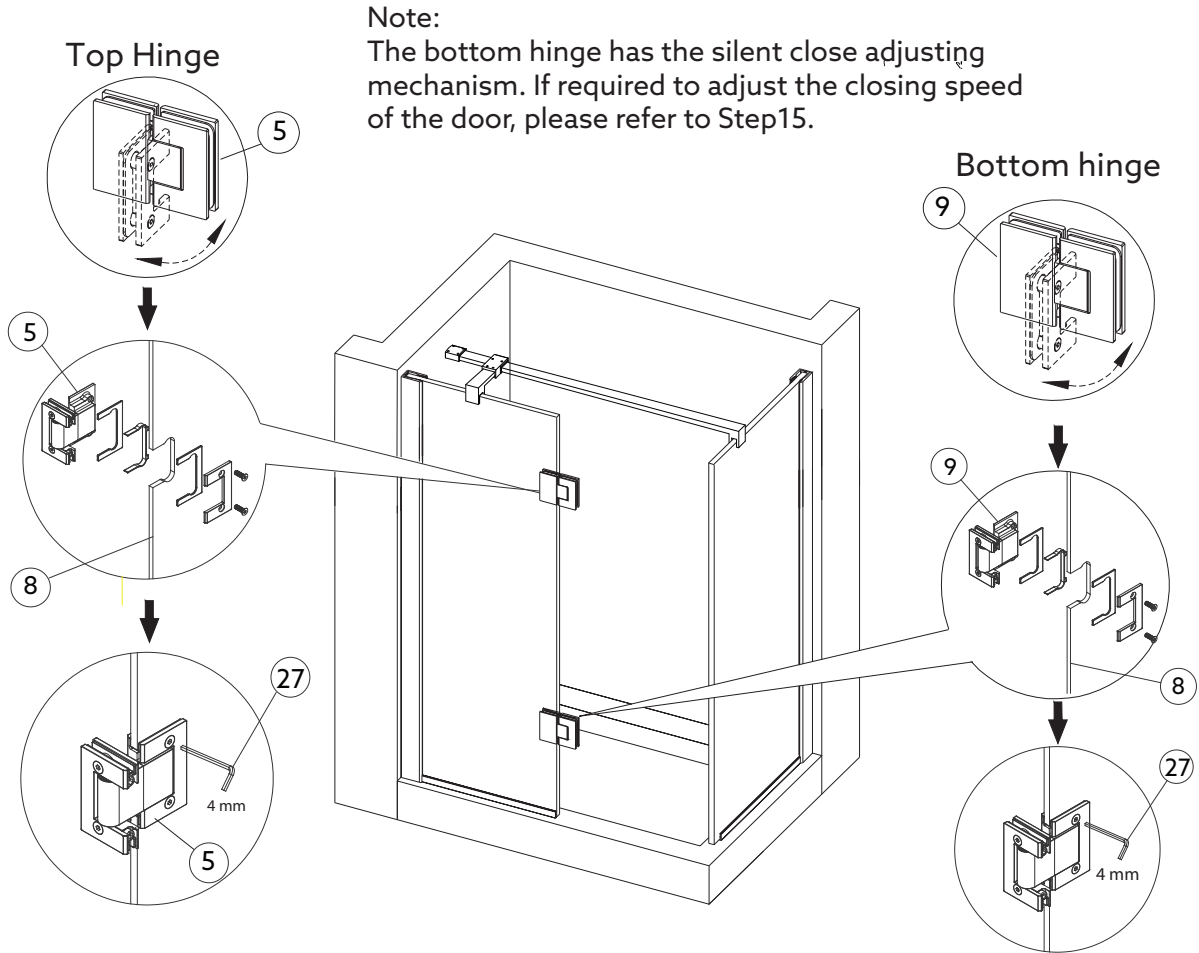
Mark location of the fixing hole
Then refit the rail.



Model	Dim "A" (mm)
900	562
1000	562
1200	612

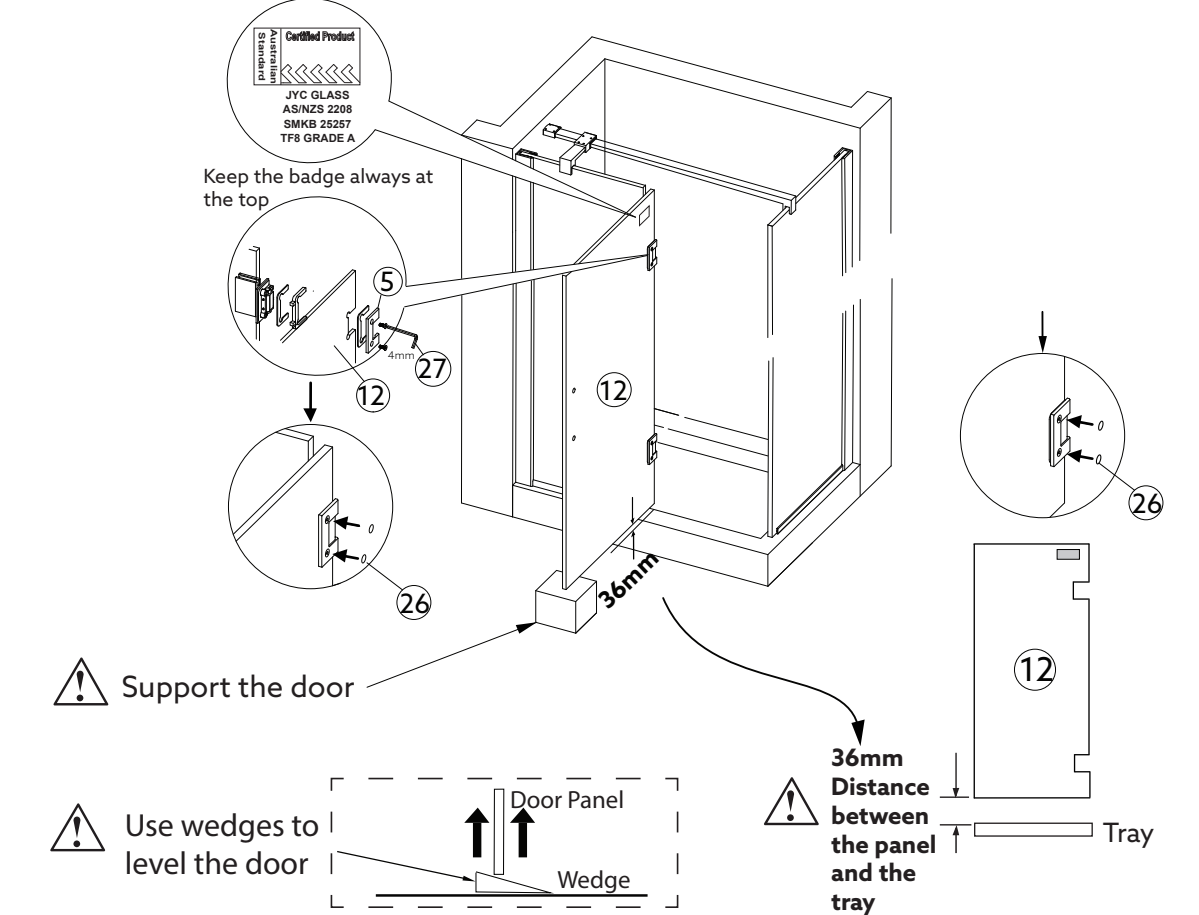
9

- 5 x 1
Top Hinge
- 9 x 1
Bottom Hinge
- 27 x 1
4mm

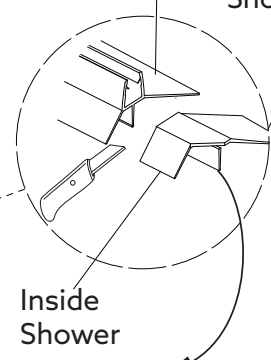
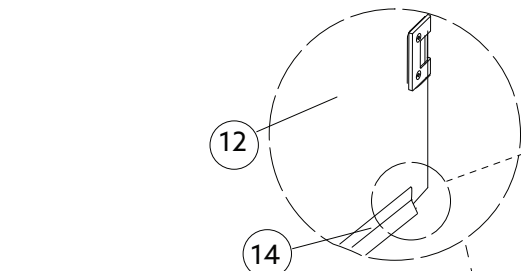
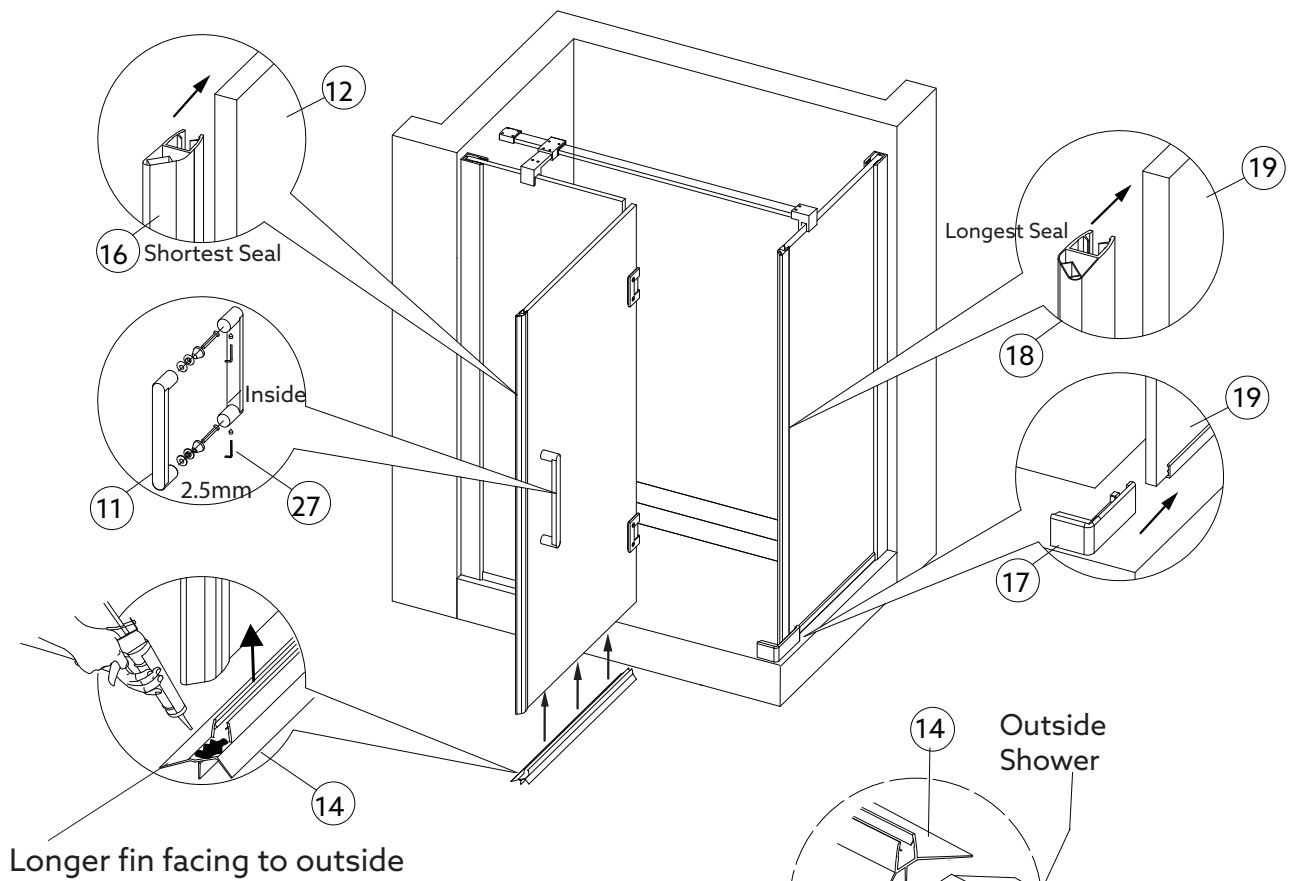
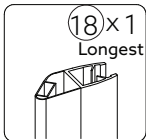
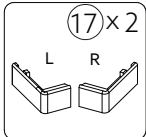
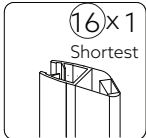
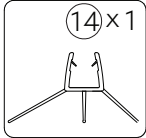
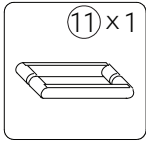


10

- 12 x 1
- 26 x 8
- 27 x 1
4mm

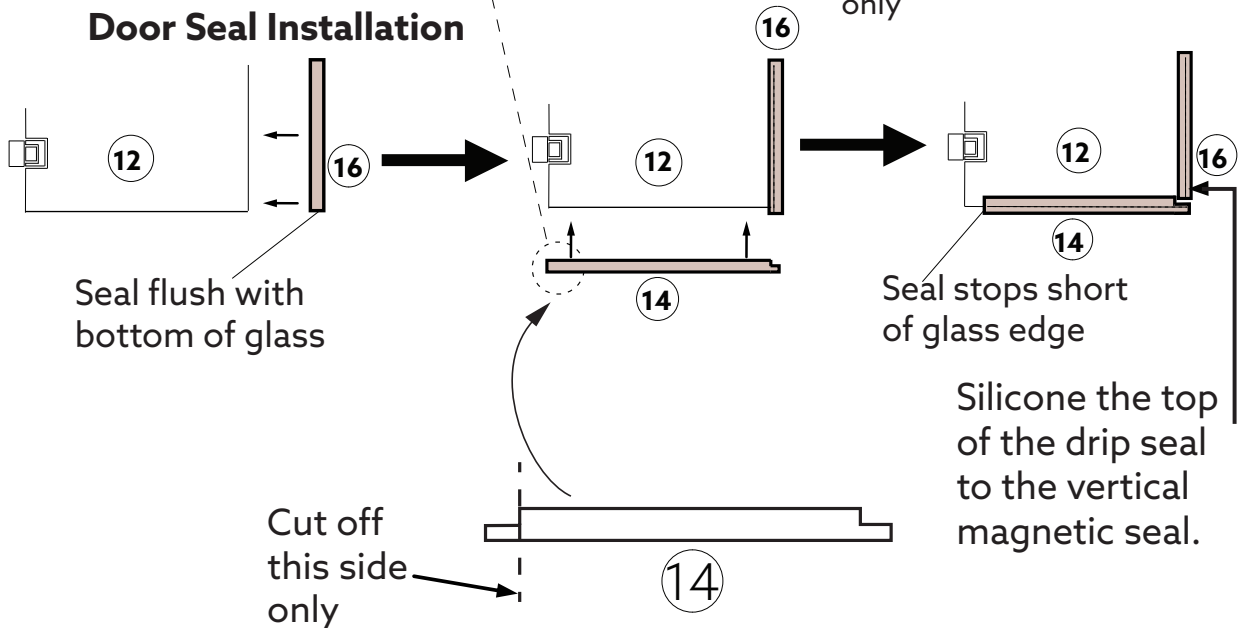


11



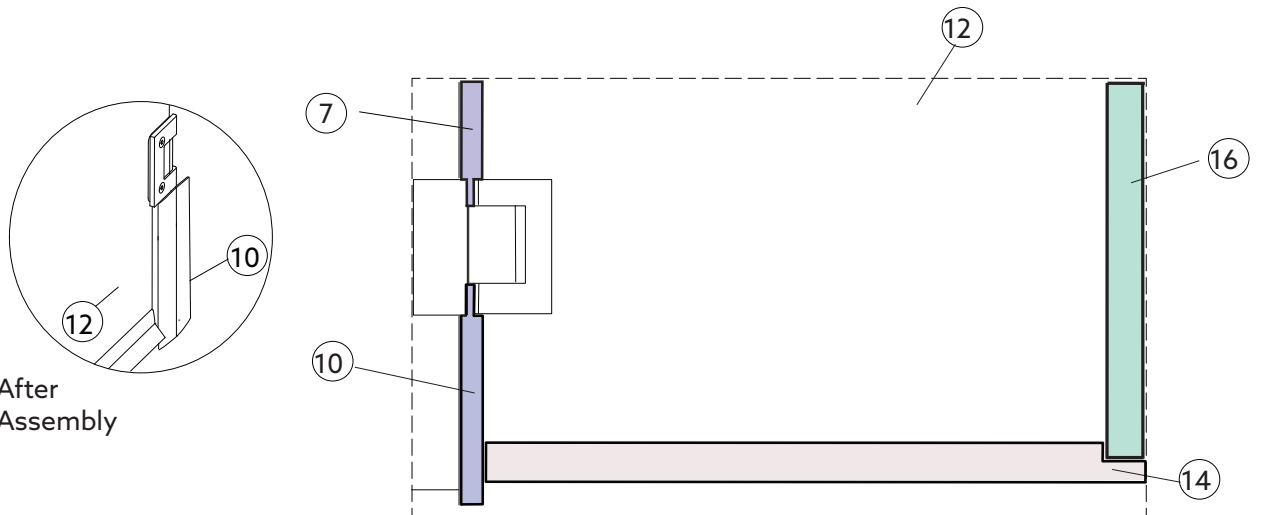
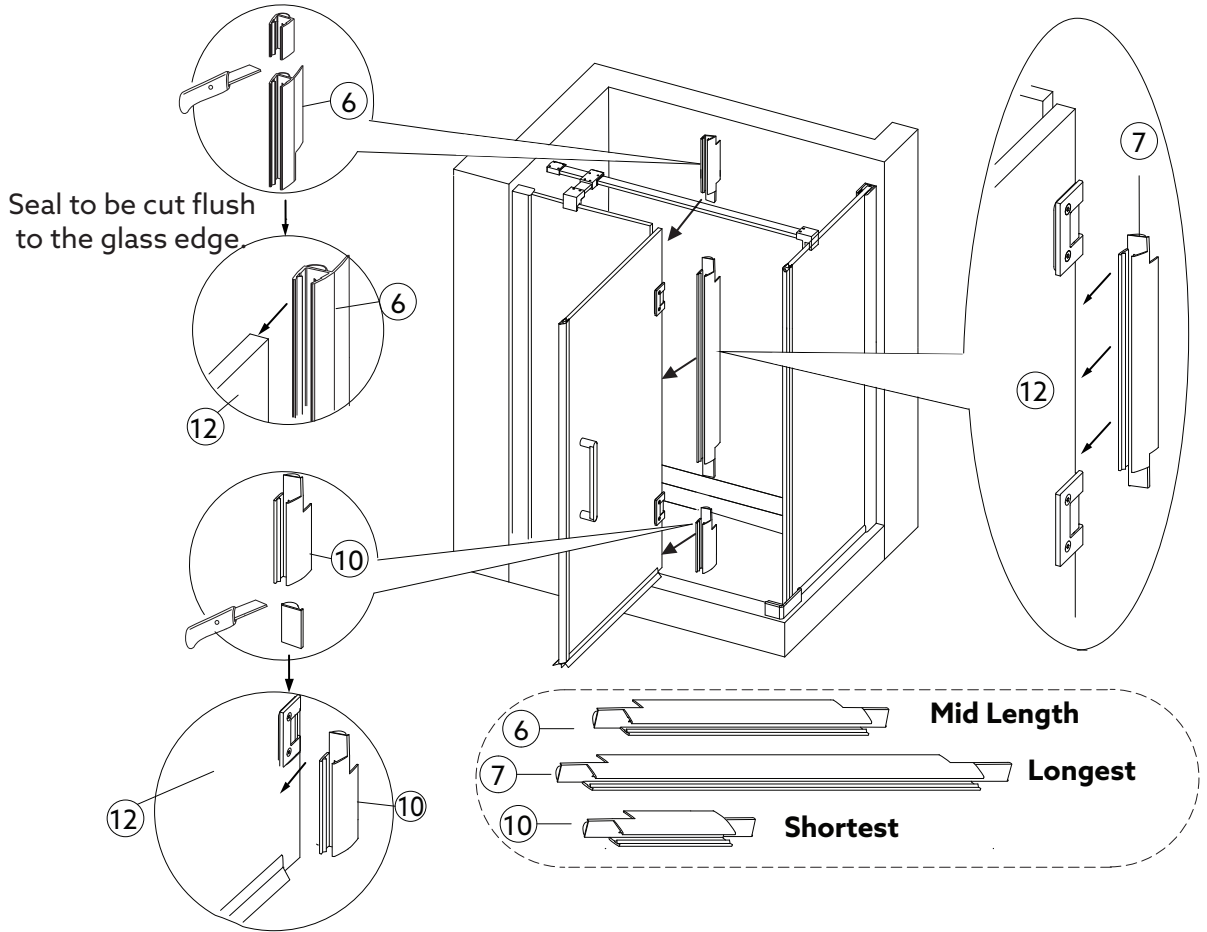
Cut the free flap on the hinge side only

Door Seal Installation



Silicone the top of the drip seal to the vertical magnetic seal.

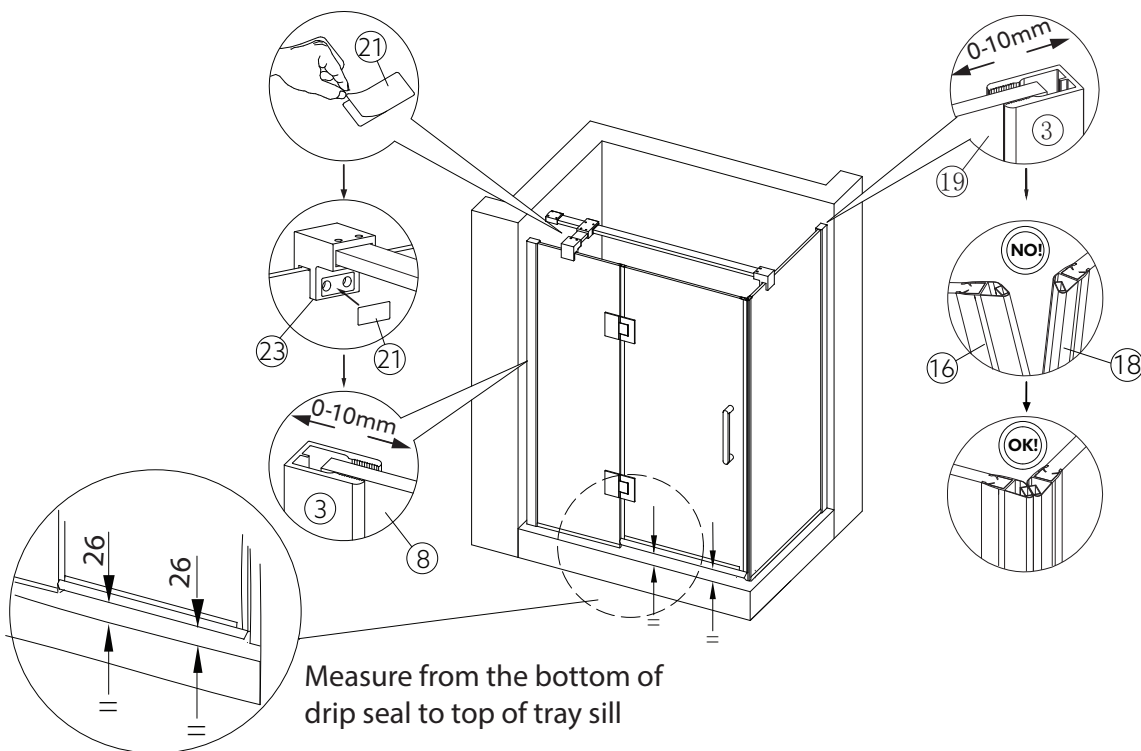
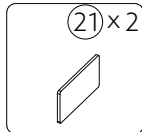
12



View from outside the shower

13

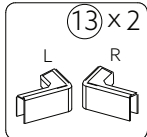
(21) x 2



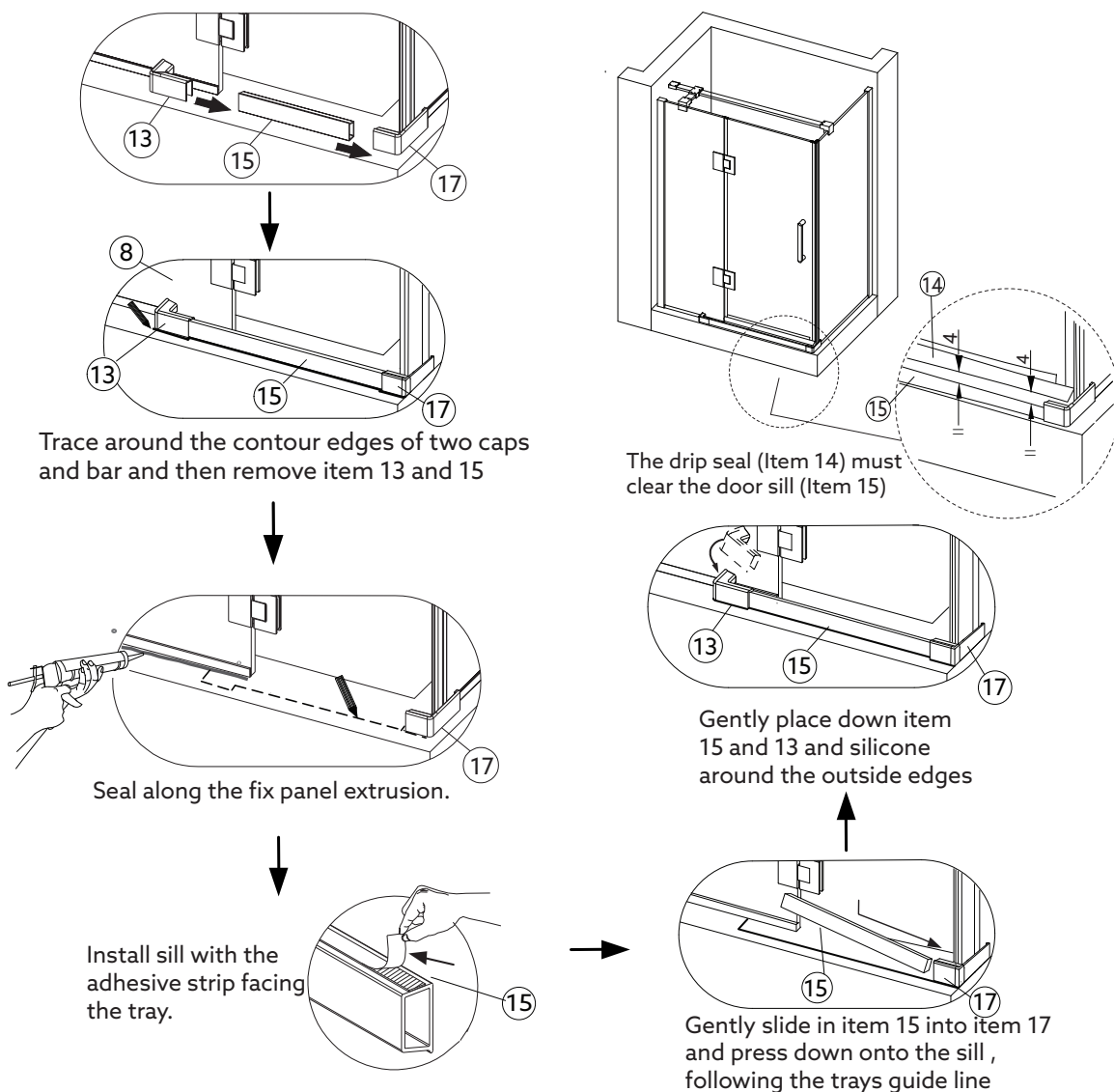
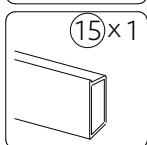
Measure from the bottom of drip seal to top of tray sill

14

(13) x 2



(15) x 1



Trace around the contour edges of two caps and bar and then remove item 13 and 15

The drip seal (Item 14) must clear the door sill (Item 15)

Seal along the fix panel extrusion.

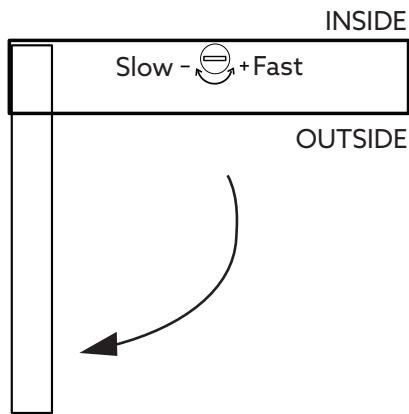
Gently place down item 15 and 13 and silicone around the outside edges

Install sill with the adhesive strip facing the tray.

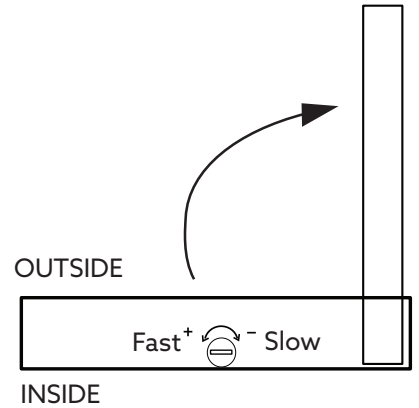
Gently slide in item 15 into item 17 and press down onto the sill, following the trays guide line

15

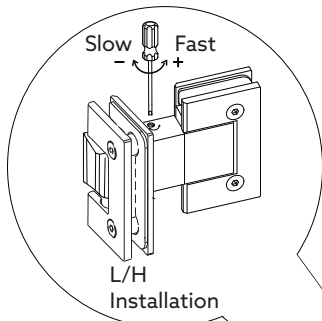
View from TOP SIDE
of bottom hinge
Left Hand Installation



View from BOTTOM SIDE
of bottom hinge
Right Hand Installtion

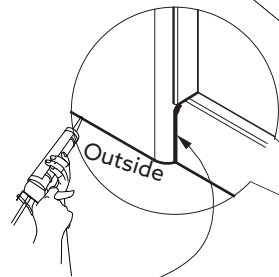
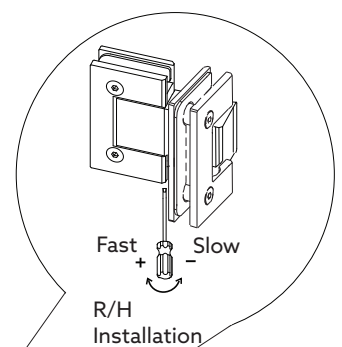


To adjust door
closing speed

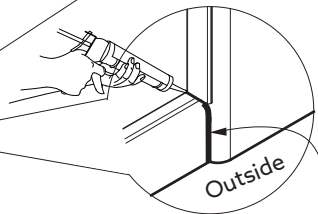


Apply silicone on full length.

To adjust door
closing speed

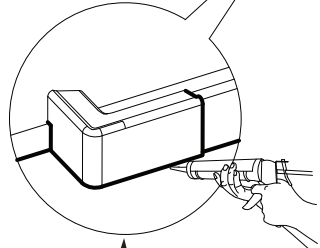


Take care to fill any gaps
with silicone, and test
for leaks

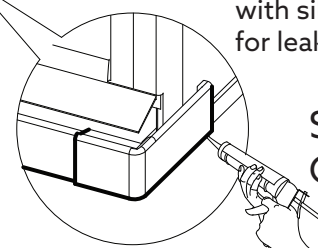


Take care to fill any gaps
with silicone, and test
for leaks

Seal on
Outside

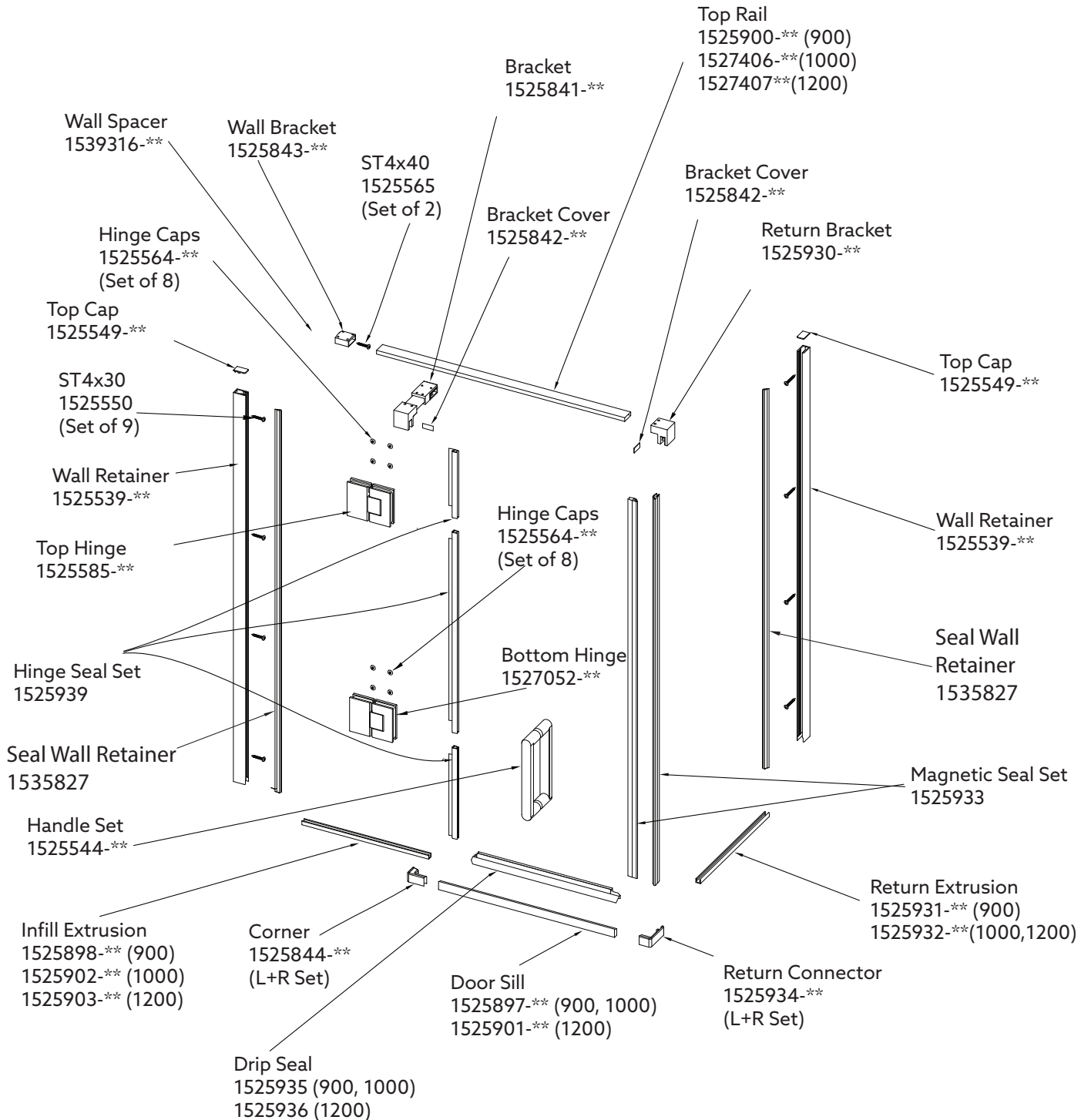


Seal on
Outside



For door drip sill
Seal both inside and
outside

SPARE PARTS:



1525550 Fitting kit Wall Retainer (Bag of 9 screws) ST4 x 30

1525565 Fitting kit Wall Bracket (Bag of 2 screws) ST4 x 40

CONTACT AND WARRANTY INFORMATION:

NEW ZEALAND
KOHLER NZ LTD

Free Ph: 0800 100 382
Free Fax: 0800 664 488
www.inglefield.co.nz

AUSTRALIA
KOHLER AUSTRALIA

Free Ph: 1 800 ENGLEFIELD
(1 800 364 533)
www.inglefield.com

For warranty information, please visit our website.

