

BATHS

Studio II® Freestanding Bath - 1500x750mm, 1700x800mm

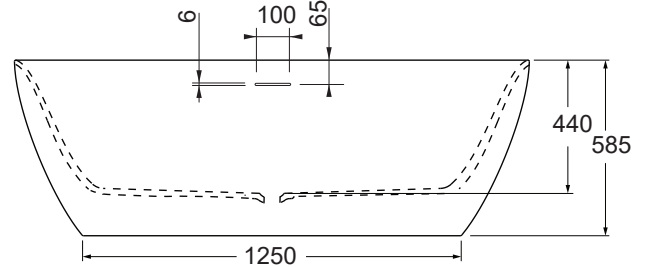
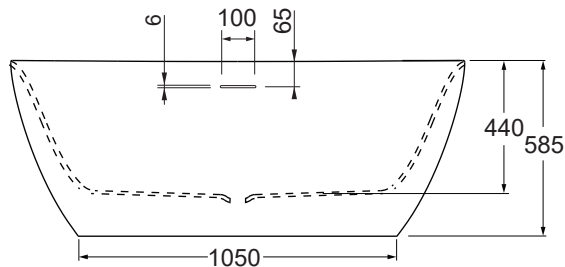
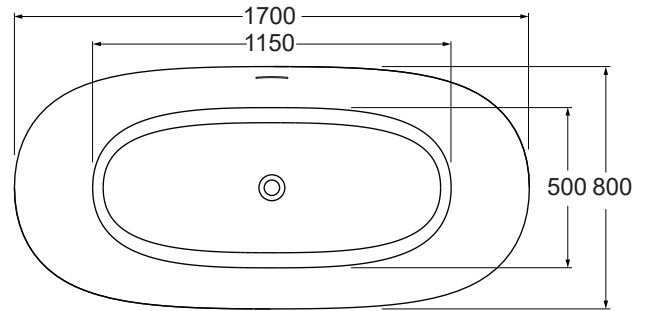
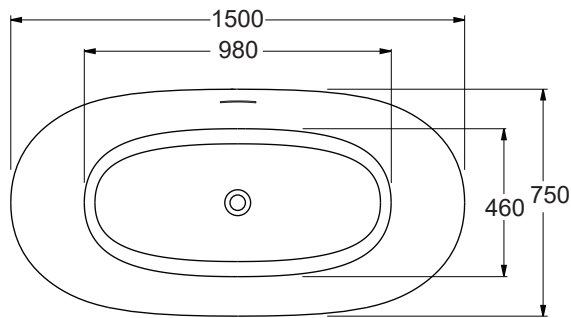


- Features/Option:** - With overflow.
- Material/Finish:** - Acrylic.
- White.
- Included Components:** - Studio II freestanding bath.
- Installation instructions.

Note: Bath waste illustrated in photography are not included.

Technical Drawing:

Note:
Bath flow rate with overflow should not exceed 23L/min.



1500 mm

1700 mm

Size	External Dimensions (mm)			Internal Dimensions (mm)			Bath Volume (L)	Water Volume (L) To the Overflow	Net Weight (KG)
	Length	Width	Depth	Max Bathing Depth	Seating Base Width	Base Length			
Studio II 1500 Freestanding Bath	1500	750	585	460	480	980	222 L	182 L	36 KG
Studio II 1700 Freestanding Bath	1700	750	585	440	500	1150	269 L	229 L	39KG

Product Codes:

Product	Part Number
Studio II 1500 Freestanding Bath	24245A-M-0
Studio II 1700 Freestanding Bath	24246A-M-0



New Zealand
Kohler New Zealand Limited
 0800 100 382
 info@englefield.co.nz
 englefield.co.nz

Australia

 englefield.com

All measurements shown.
 are in millimetres.
 Sizes are approximate.

AUG 2025
 1644482 -A04-A