

# Clip Kitchen Sink - 1 1/4 Bowl

Gentle 'rounded corner' bowl, and fanned channel draining board all produced from high quality, brushed 0.8mm thick stainless steel.



**Features**

- 1 1/4 Bowl.
- No tap hole (Drilling required).
- Left or right hand installation.
- Self-rimming installation.
- Overflow.
- Noise dampening liner.

**Colour/Finish**

Brushed stainless steel.

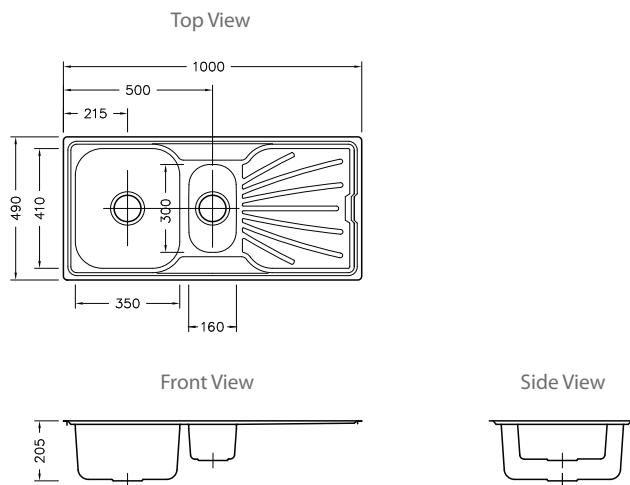
**Material**

0.8mm thick grade 304 stainless steel construction.

**Included Components**

- Stainless steel sink.
- 2 wastes.
- Fixing kit.

**Technical Details**



Product	Product Code
Clip kitchen sink - 1 1/4 Bowl	70998A-S-NA



Trusted in New Zealand Since 1982

**New Zealand**  
 133 Diana Drive, Glenfield, Auckland, New Zealand  
 PO Box 100-146 NSMC, Auckland, 0745  
 Ph: 0800 100 382 Fax: 0800 66 44 88  
[www.Englefield.co.nz](http://www.Englefield.co.nz)

All measurements shown are in millimetres.  
 Sizes are approximate.

Mar 2014  
 1228935-A04-B