

72009A-S-NA CUT-OUT SIZE: 1135 x 475mm

70998A-S-NA CUT-OUT SIZE: 980 x 475mm

72011A-S-NA CUT-OUT SIZE: 775 x 475mm

REAR OF SINK



Trusted in New Zealand Since 1982

CLIP

OVER COUNTER KITCHEN SINK CUT-OUT TEMPLATE / INSTALLATION INSTRUCTIONS

CLIP

SKU	PHOTO	DIMENSION	CUT-OUT SIZE
70998A-S-NA CLIP 1 1/4 BOWL		1000 x 490mm	980 x 475mm
72009A-S-NA CLIP DOUBLE BOWL		1160 x 500mm	1135 x 475mm
72011A-S-NA CLIP SINGLE BOWL		800 x 500mm	775 x 475mm

CAUTION: Sink edge may be sharp; handle with caution.
Do not install a damaged sink-inspect carefully.

NOTE: THIS TEMPLATE IS ONLY A GUIDE.
ACTUAL SINK SHOULD BE PRESENT TO ENSURE PERFECT CUT OUT.

CARE AND CLEANING

Stainless Steel

Rinse your stainless steel sink thoroughly after each use, and use a dabbing action to dry with a clean, soft cloth. Clean stainless steel once a week.

Always apply stainless steel cleaner/polish with a nonabrasive cloth or sponge, working with, not across the grain. **Do not** use steel wool, wire brushes or abrasive pads to clean your sink.

If you use cleaners containing chlorides, be sure to rinse the surface immediately after you clean it to avoid corrosion. **Do not** allow cleaners to remain in contact with the sink surface for long periods of time.

Kohler kitchen sink accessories, including bottom basin racks, wire rinse baskets, cutting boards and colanders will help protect the surface of your sink.

If the surface becomes excessively dirty, consider using baking soda, or a general purpose cleaner.

CONTACT & WARRANTY DETAILS

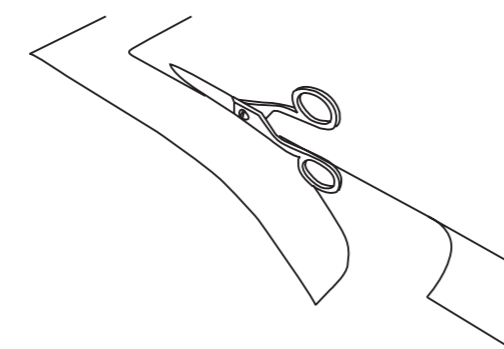
For warranty information, please visit our website:
www.engefield.co.nz

NEW ZEALAND
KOHLER NZ LTD
Free Ph: 0800 100 382
Free Fax: 0800 664 488
www.engefield.co.nz

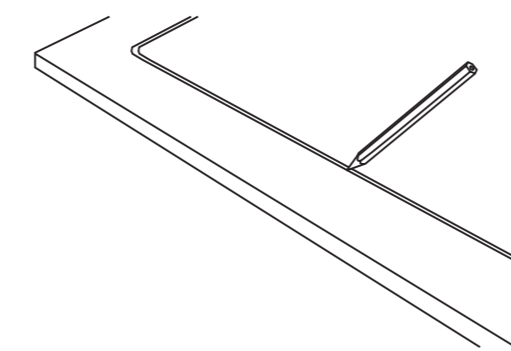
AUSTRALIA
KOHLER CO.
Free Ph: 1800 228 476
www.engefield.com

INSTALLATION INSTRUCTIONS

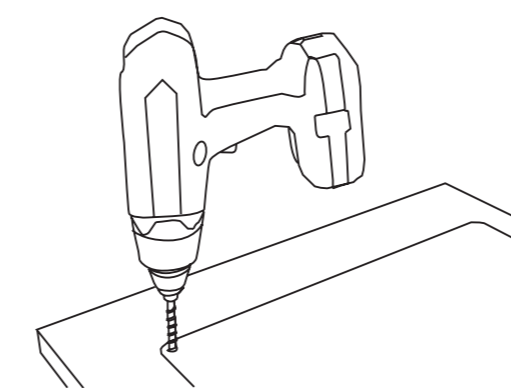
1. Cut along the appropriate line.



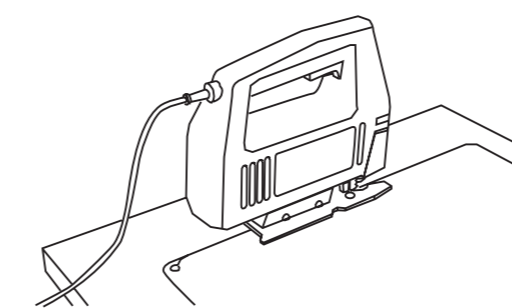
2. Put the cut-out template in place, trace the cut-out template onto the countertop.



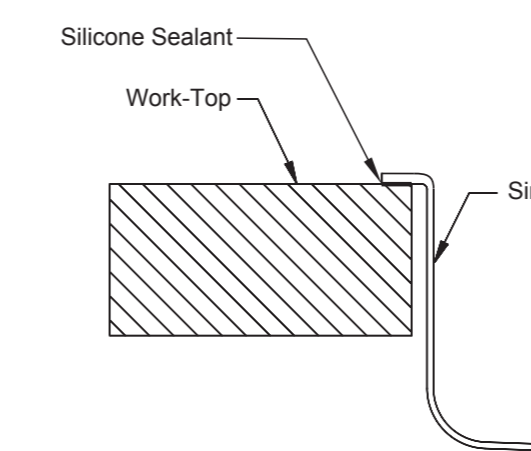
3. Drill a pilot hole inside the cutting line.



4. Cut along the outline.



5. Construct a wood frame or use mounting clips to support the sink.



1217123-A02-B 2/04/2014

FRONT OF SINK