

INSTALLATION INSTRUCTIONS



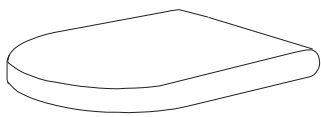
TOILET SEAT | TIVOLI[®] WRAP OVER TOILET SEAT 21303A-0

BEFORE YOU BEGIN:

Before proceeding with installation, please read these instructions to familiarise yourself with the required tools, materials and installation sequences. Please leave these instructions for the consumer after installation.

Prior to installation, inspect the toilet seat to ensure that no damage has occurred in transit. If damage has occurred, or a visible defect exists, do not proceed with installation, and advise your supplier immediately.

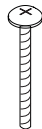
PARTS IDENTIFICATION:



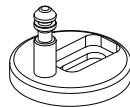
Toilet seat
x 1



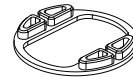
Expansion bush
x 2



Screw
x 2



Hinge plate
x 2

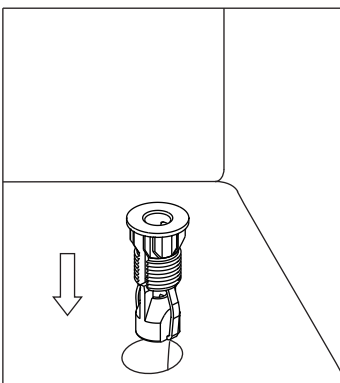


Hinge plate gasket
x 2

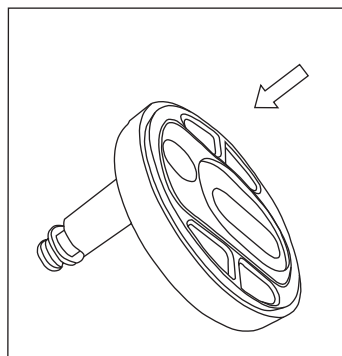


Hinge plate cap
x 2

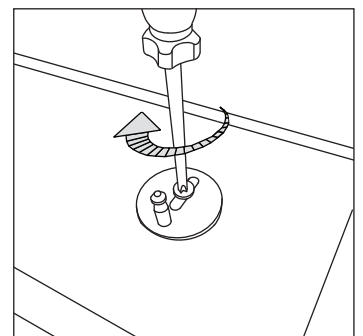
INSTALLATION:



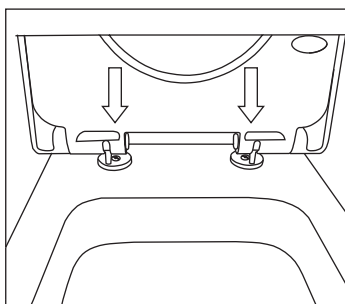
1. Insert expansion bushes into seat fixing holes



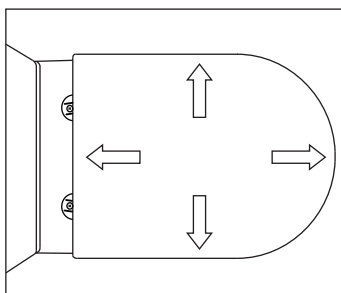
2. Attach gaskets to the bottom of hinge plates



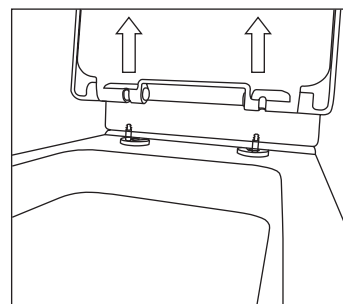
3. Connect hinge plates to expansion bushes with screws, but do not fully tighten, shall be still adjustable



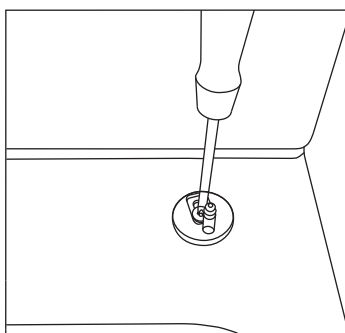
4. Locate seat hinges over pins and press down until seat clicks into place



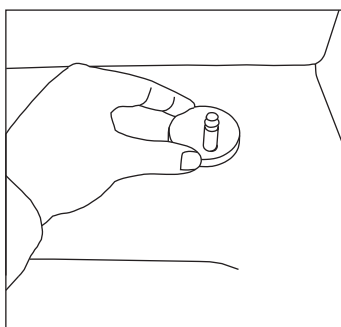
5. Align seat



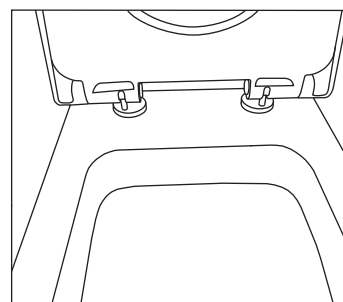
6. Gently lift entire seat directly upward to separate it from the pan



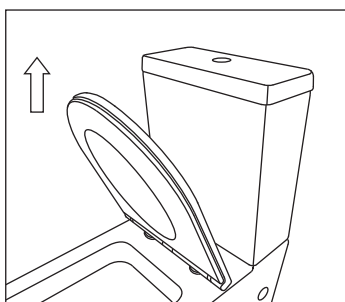
7. Tighten screws until hinge plates are firmly fixed in place



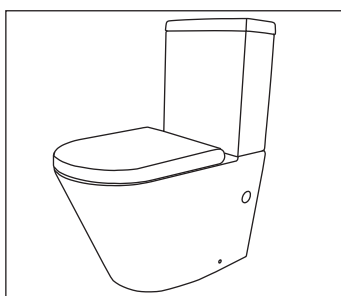
8. Place hinge plate caps onto hinge plates



9. Reinstall the seat back to hinge plates



10. To utilise the Quite Close design, partially shut the seat and it will softly fall until closed



11. The seat is now installed

CONTACT AND WARRANTY INFORMATION:

NEW ZEALAND

KOHLER NEW ZEALAND LTD

0800 100 382

info@englefield.co.nz

englefield.co.nz

AUSTRALIA

englefield.com



For warranty information, please visit our website.