

# INSTALLATION INSTRUCTIONS



## FURNITURE

## VALENCIA™ Tower Cabinet



Contemporary design and quality construction, providing affordable storage for bathrooms of any size or style.

It's the details that Englefield cares about - from pioneering the latest technology, to innovative design.



### BEFORE YOU BEGIN

Please read these instructions carefully to familiarise yourself with the required tools, materials, and installation sequences. Follow the sections that pertain to your particular installation. This will help you avoid costly mistakes. In addition to proper installation, read all operating and safety instructions.

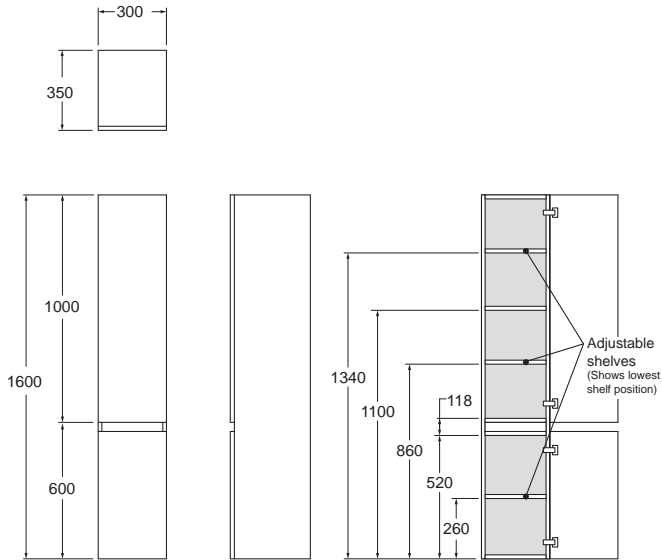
Prior to installation, inspect cabinet to ensure that no damage has occurred in transit. If damage has occurred, or a visible defect exists, do not proceed with installation, and advise your supplier immediately.

Instructions, drawings, and diagrams contained in this manual present information available at the time of printing. Although every attempt has been made to keep them up-to-date, Englefield reserves the right to implement product changes without further notice.

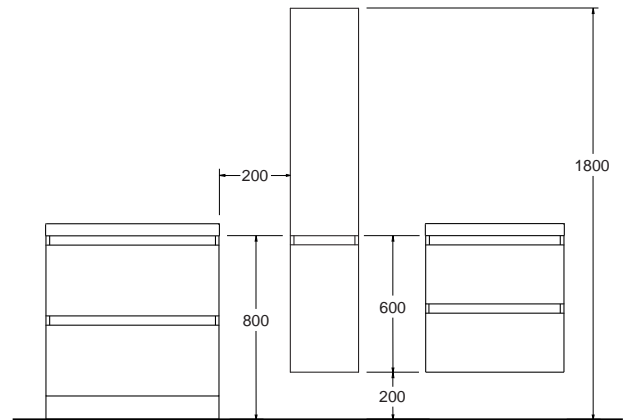
**Please leave these instructions for the consumer.  
They contain important information.**

ROUGH-IN

Tower cabinet dimensions



Recommended installation when tower cabinet is installed with a valencia vanity

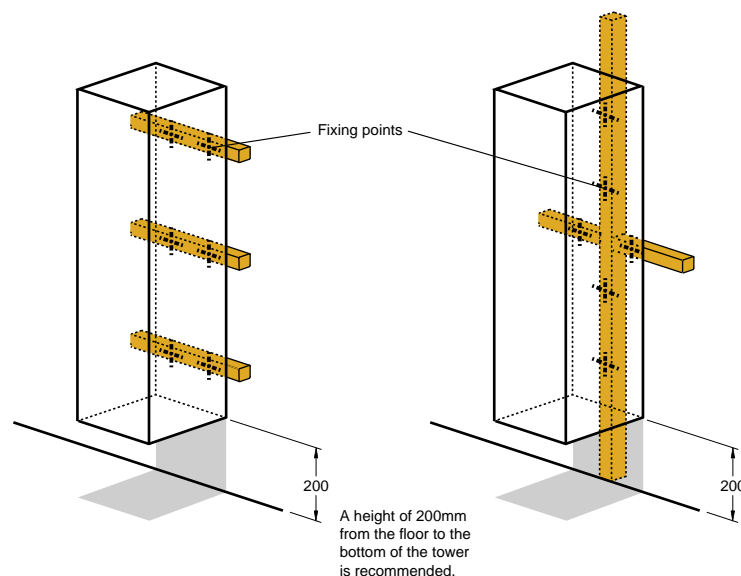


CONSTRUCTION REQUIREMENTS

For new and existing walls:

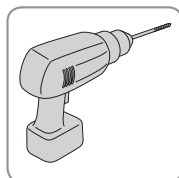
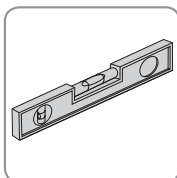
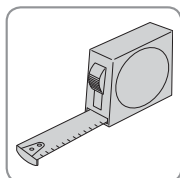
- Tower cabinet must be fixed to a stud and or nogs in wall.
- Use a stud finder to locate studs and nogs in finished walls.
- Using a minimum of **6 fixing points** is recommended.
- If possible place fixing points just below adjustable shelves. This will help to hide them. (Refer to rough-in)
- Be careful not to place fixing points too close to fixed shelves or cabinet sides as this will make fixing difficult.

POSSIBLE INSTALLATION SETUPS:

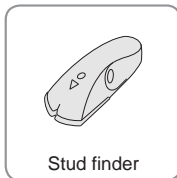
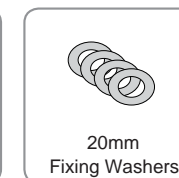


TOOLS AND MATERIALS REQUIRED - (Not Supplied)

TOOLS



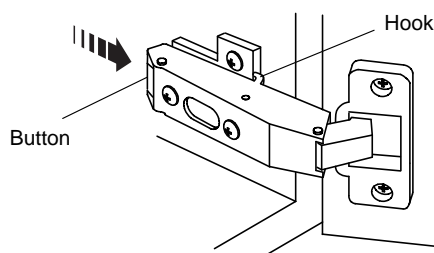
MATERIALS - Not supplied.



INSTALLATION

1. Door removal

- (a) To make installation easier remove cabinet doors & shelves. To release a hinge, press button at rear of hinge and unhook from bracket.



2. Fixing the tower cabinet to the wall

**NOTES: Refer to construction requirements section before proceeding.**

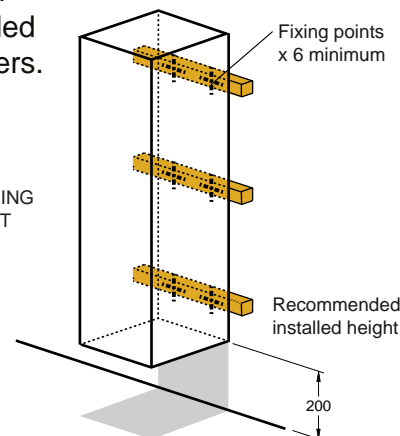
- A minimum of **6 fixing points** is recommended
- Screws: Pan head (10g x 50mm).
- Washers: Flat (20mm). (Must be used to spread load).

- (a) Choose an appropriate location. Determine positions of nogs/studs in wall and check that wall is free of bumps/protrusions.
- (b) Using a spirit level, draw a line on wall to mark location of top of cabinet. 1800mm from floor is recommended.
- (c) Determine locations of fixing points and mark them on back of cabinet.

**NOTE:** Make sure fixing points are located at least 60mm from cabinet edge and away from fixed shelves, preferably just underneath adjustable shelves.

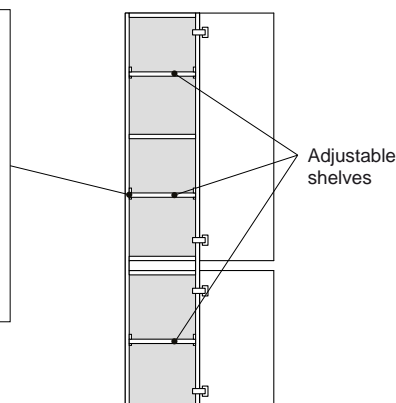
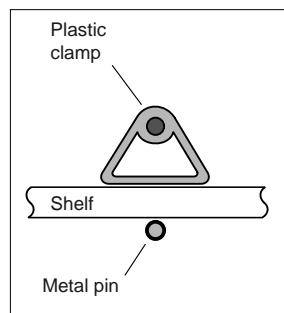
- (d) Using a 5mm drill bit, drill clearance holes through cabinet back at marked positions.
- (e) Place cabinet in chosen location and support. Make sure cabinet is plumb using a spirit level.
- (f) Fix cabinet to wall using recommended screws and washers.

POSSIBLE FIXING POINT LAYOUT



3. Shelf position adjustment

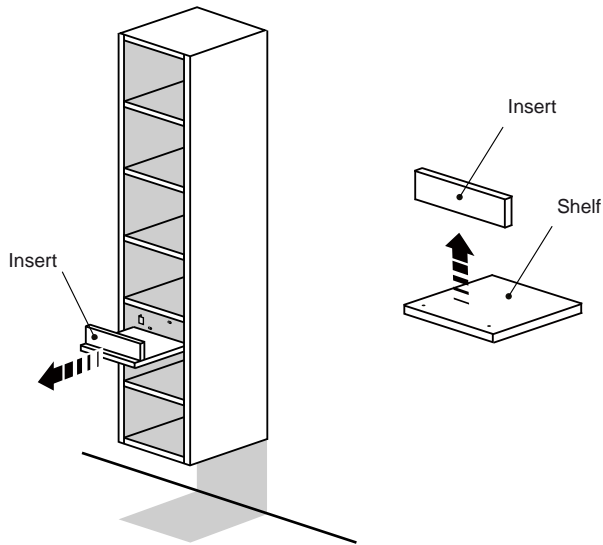
- (a) Three shelves have adjustable positions. Once shelves are in position, use plastic clamps to lock in place.



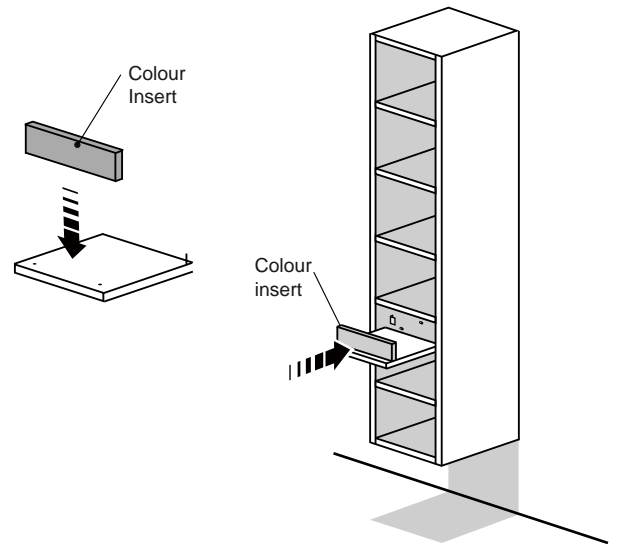
#### 4. Installing the colour insert (Optional)

**NOTE:** The colour insert is optional and can be purchased separately.

- (a) Remove the cabinet doors if still attached.  
(Refer to section 1)
- (b) Remove existing insert by sliding out insert shelf, then unscrew and remove insert.

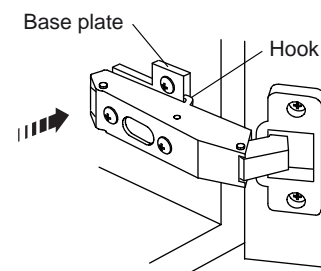


- (c) Screw new colour insert onto shelf and slide back into cabinet.



#### 5. Replacing doors

- (a) Re-install the cabinet doors. Hook the hinges onto the base plates and press down.



**INSTALLATION COMPLETE**

### CLEANING AND MAINTENANCE INSTRUCTIONS

Please refer to the Owner's Information Leaflet for cleaning instructions.

### CONTACT AND WARRANTY INFORMATION

- Please refer to the Owner's Information Leaflet for contact information.
- Please visit our website for warranty and other information.

**NEW ZEALAND**  
KOHLER NZ LTD

[www.Englefield.co.nz](http://www.Englefield.co.nz)

**AUSTRALIA**  
KOHLER CO.

[www.Englefield.com](http://www.Englefield.com)

