

INSTALLATION INSTRUCTIONS

FURNITURE | VALENCIA™ VANITY



Floor Standing Models



Wall Hung Models

BEFORE YOU BEGIN:

Please read these instructions carefully to familiarise yourself with the required tools, materials, and installation sequences. Follow the sections that pertain to your particular installation. This will help you avoid costly mistakes. In addition to proper installation, read all operating and safety instructions.

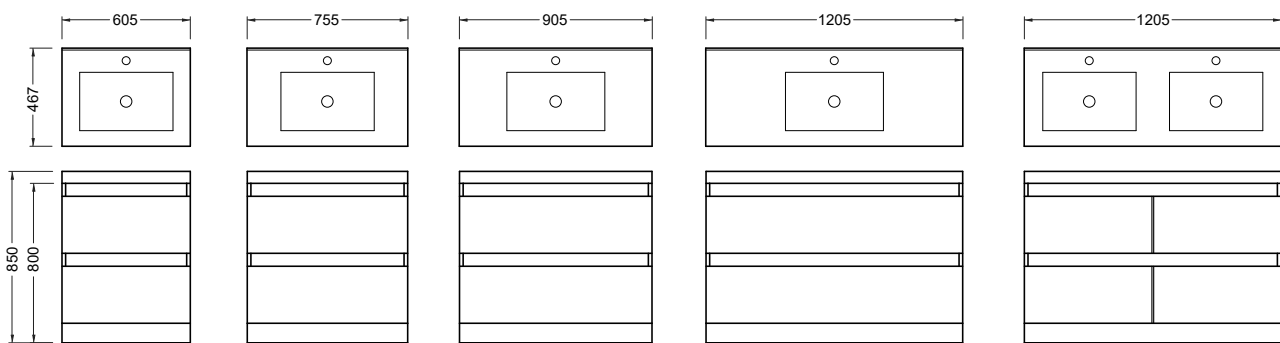
Prior to installation, inspect the cabinet and vanity top (either Durastone top, ceramic top or stone quartz top) to ensure that no damage has occurred in transit. If damage has occurred, or a visible defect exists, do not proceed with installation, and advise your supplier immediately.

Instructions, drawings, and diagrams contained in this manual present information available at the time of printing. Although every attempt has been made to keep them up-to-date, Englefield reserves the right to implement product changes without further notice.

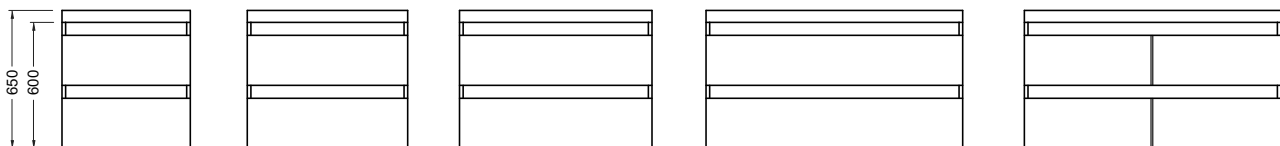
Please leave these instructions for the consumer. They contain important information.

ROUGH-IN:

Floor Standing Models



Wall Hanging Models

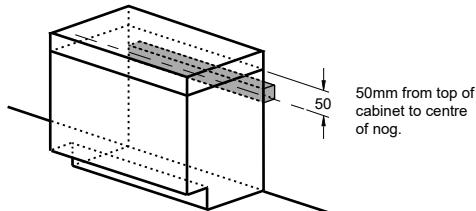


NOTE: For rough-in dimensions and installation instructions of the Valencia Elite Stone vanity tops, please refer to the supplementary guide supplied with the stone quartz tops.

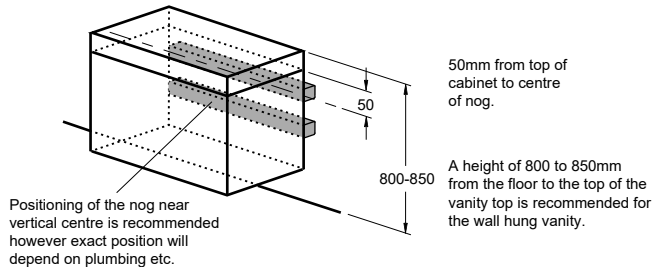
CONSTRUCTION REQUIREMENTS:

Floor standing models must be fixed to a nog in the wall. Wall hung models must be fixed to two nogs in the wall. The nog size should be 50 x 75mm.

Floor standing models

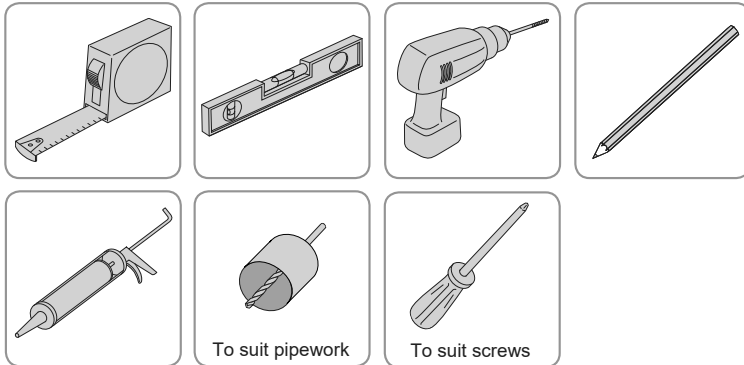


Wall Hung models

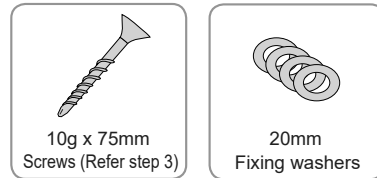


TOOLS AND MATERIALS REQUIRED - (Not Supplied)

TOOLS



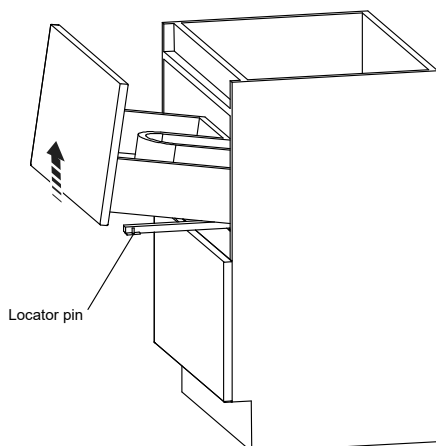
MATERIALS - Not supplied & must be purchased separately



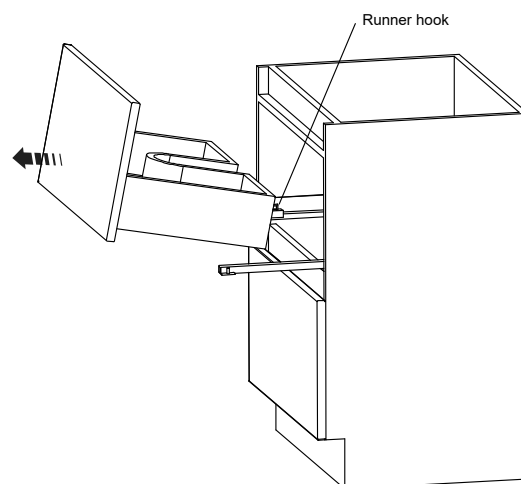
INSTALLATION:

1. Drawer removal

(a) Open the drawer and carefully lift up on the end of the drawer to release it from the runner locator pins. It may be necessary to gently pry the runner away from the drawer.

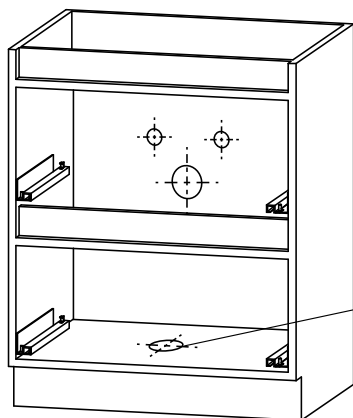


(b) The drawer is now only held by the runner hooks at the back and can be pulled out in the direction shown.



2. Water supply and waste pipe holes

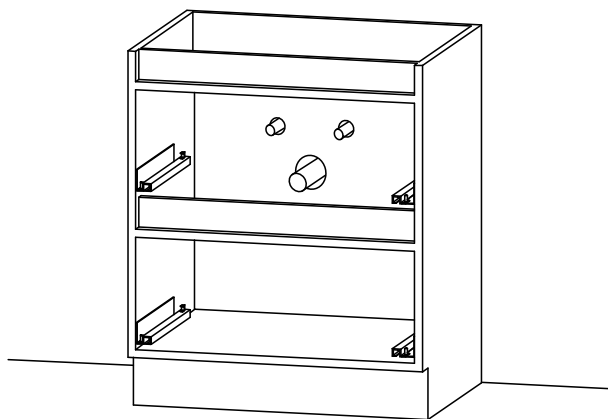
(a) Measure and mark the centres for water supply and waste pipes on the back of the cabinet.



Alternate drain position for floor standing models

(b) With a suitably sized hole saw drill the holes for the water supply and waste.

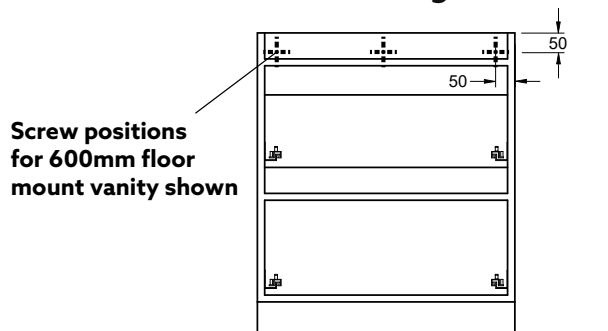
(c) Having drilled the required holes fit the cabinet into position over the pipework.



NOTE: Before fastening the cabinet make sure that it is sitting level and square and if installing a floor mounted model ensure that the selected location is free of bumps and protrusions.

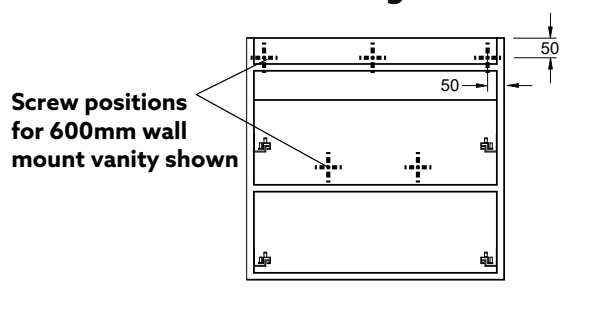
NOTE: Screws should be positioned in an evenly spaced pattern as shown below.

Floor standing models



Screw positions for 600mm floor mount vanity shown

Wall Hung models



Screw positions for 600mm wall mount vanity shown

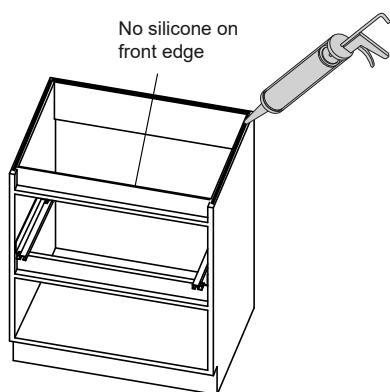
3. Fixing the vanity to the wall

(a) Fix the cabinet to the wall using screws (min 10g x 75mm) and *20mm washers. Screw through the back rail or wall so that they screw into the nog/s in the wall behind.
*Washers must be used to spread the load.

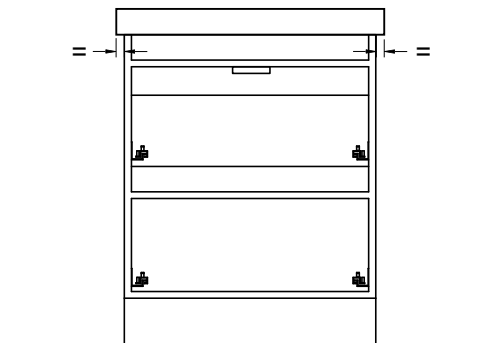
Size	Number of screws required	
	Floor Mount	Wall Mount
600	3	5
750	4	7
900	4	7
1200	5	9

4. Vanity top

- (a) Unpack the top and check for any damage that might have occurred in transit. Check and confirm the fit of your selected tapware.
- (b) Apply a continuous bead of silicone (not supplied) to the top edge of the cabinet sides and back. Ensure there are no gaps in the sealant bead. This will ensure the top stays securely fitted to the cabinet and no water spillage will find its way into the cabinet.



- (c) Place the vanity top onto the cabinet ensuring that the back is flush against the wall and there is an even overhang on either side of the cabinet.



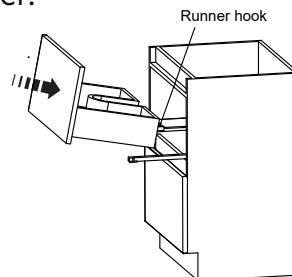
- (d) Wipe off any excess sealant.

5. Waste and tapware

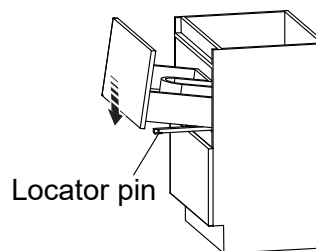
- (a) Fit the waste and tapware. Connect the water supply to the taps and waste pipe to the waste outlet.
- (b) Run hot and cold water and check for leaks. When satisfied with the results move on to the next section.

6. Drawer re-installation

- (a) To re-install the drawers, extend the runners. Place a drawer onto the runners and slide back so that the runner hooks insert into the rear of the drawer.

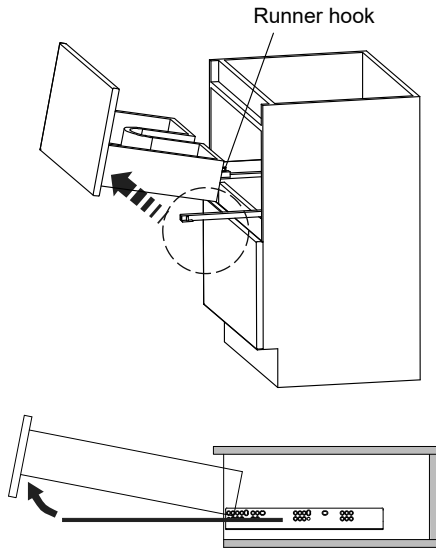


- (b) Make sure the locator pins line up with the holes in the bottom of the drawer and press the drawer down so that the pins slot into place.



7. Drawer Height Adjustment

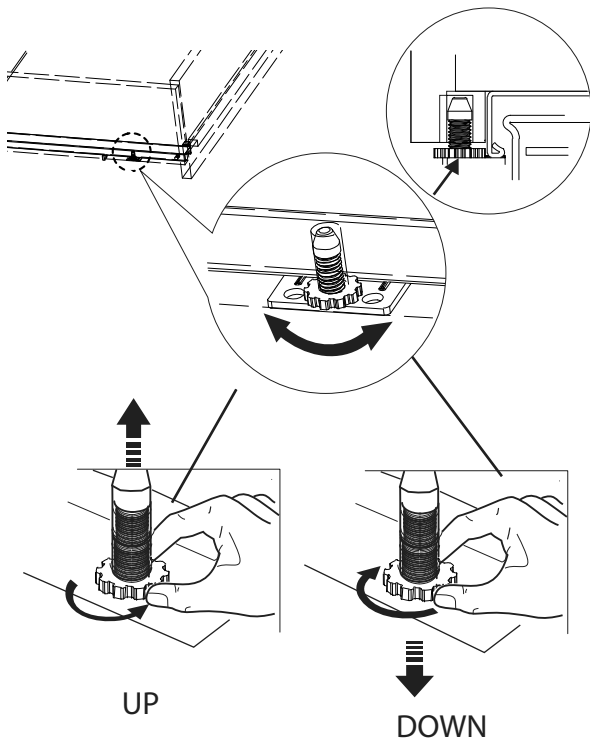
(a) Remove the drawer. To tilt the drawer front forward before adjusting the height of drawer.



(b) Turn anticlockwise on the locator pin spacer to raise the height of the drawer and turn clockwise to raise down. Repeat on the other runner.

Height Adjustment

Front Sectional View

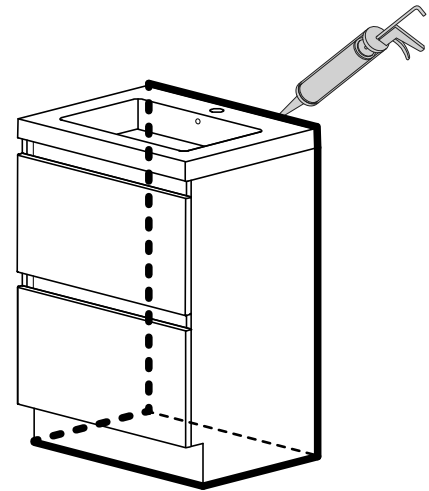


Note: All drawers are aligned during assembly. However further adjustment is often required after installation.

8. Sealing

(a) All edges **MUST** be sealed with an approved Silicone Sealant.

- Between cabinet and floor
- Between cabinet and wall
- Between upstand and wall



INSTALLATION COMPLETE

CLEANING AND MAINTENANCE INSTRUCTIONS

For cleaning instructions, please refer to the Owner's Information Leaflet.

CONTACT AND WARRANTY INFORMATION

**NEW ZEALAND
KOHLER NZ LTD**

**AUSTRALIA
KOHLER AUSTRALIA**

**Free Ph: 0800 100 382
Free Fax: 0800 664 488
www.inglefield.co.nz**

**Free Ph: 1 800 ENGLEFIELD
(1 800 364 533)
www.inglefield.com**

For warranty information, please visit our website.

