

# INSTALLATION INSTRUCTIONS

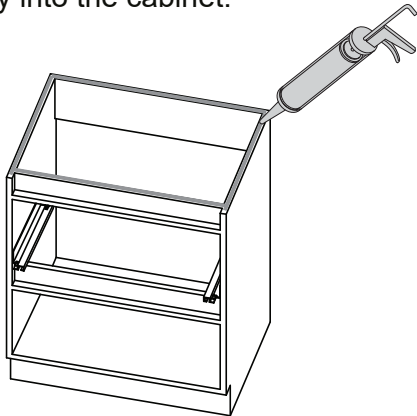


Trusted in New Zealand Since 1982

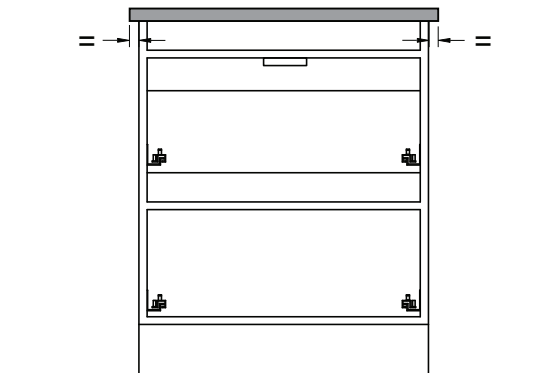
## FURNITURE VALENCIA™ ELITE VANITY TOPS

**NB: Please refer to instructions provided with the vanity cabinet to set up the carcass and drawers.**

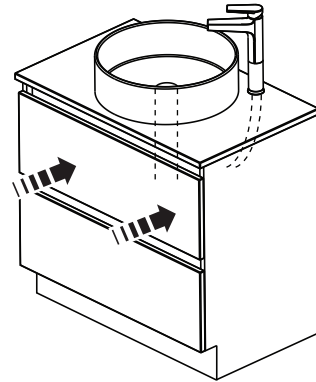
- (a) Unpack the top and check for any damage that might have occurred in transit. Check and confirm the fit of your selected basin and tapware.
- (b) Apply a continuous bead of silicone (not supplied) to the top edges of the cabinet. This will ensure the top stays securely fitted to the cabinet and no water spillage will find its way into the cabinet.



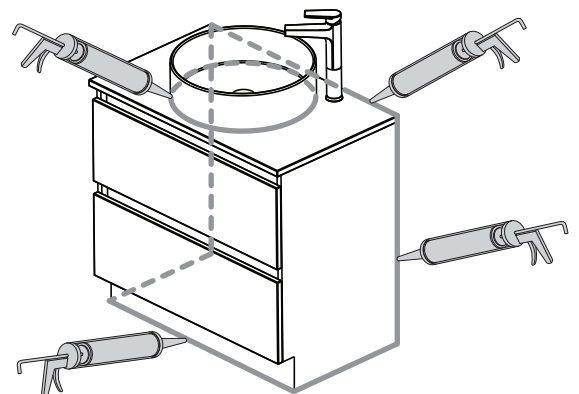
- (c) Place the vanity top onto the cabinet, ensuring that the polished side is facing up and the tap hole (if present) is in the correct position. Check that the back is flush against the wall and there is an even overhang on either side of the cabinet. Wipe off any excess sealant.



- (d) Carefully fit the tapware and connect to the water supply.
- (e) Fit the basin and waste, then connect the waste pipe to the outlet. Ensure that the water supply and waste assembly do not interfere with the operation of drawers.



- (f) Run hot and cold water and check for leaks. Make repairs as required.
- (g) Seal all edges with silicone sealant:  
-Between cabinet and floor  
-Between cabinet and wall  
-Between vanity top and basin  
-Between vanity top and wall(s)



**INSTALLATION COMPLETE**