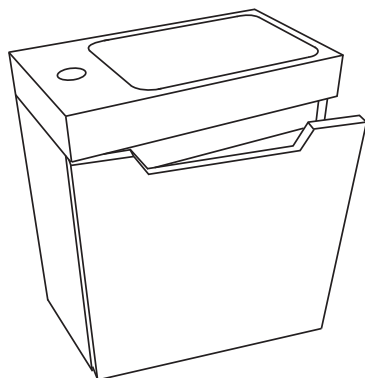


INSTALLATION INSTRUCTIONS

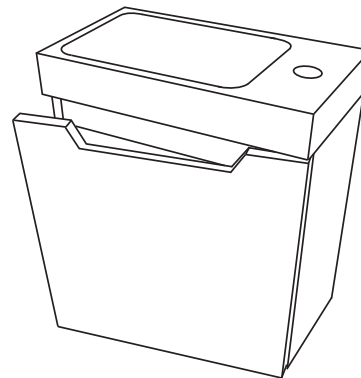


FURNITURE | VALENCIA®

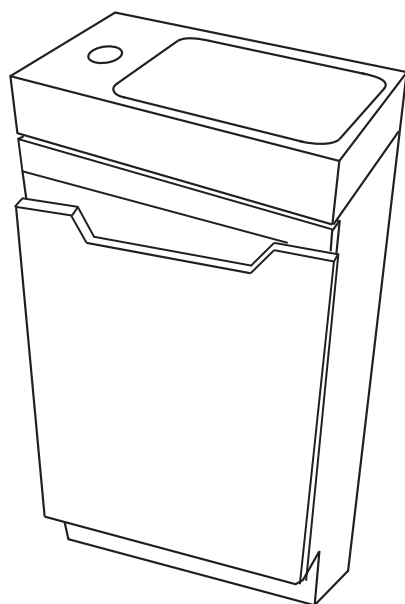
MINI VANITY FLOODING STANDING/WALL HUNG



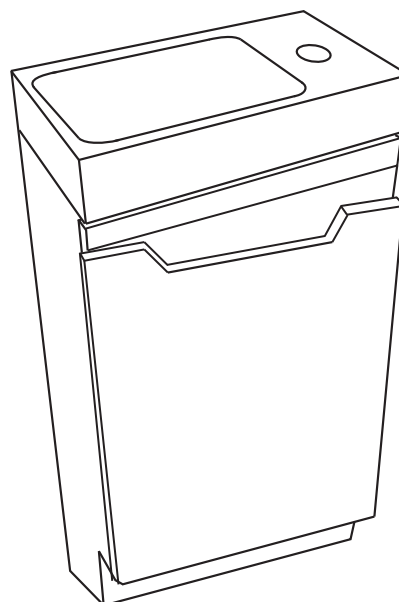
**WALL HUNG
LEFT HAND**



**WALL HUNG
RIGHT HAND**



**FREE STANDING
LEFT HAND**



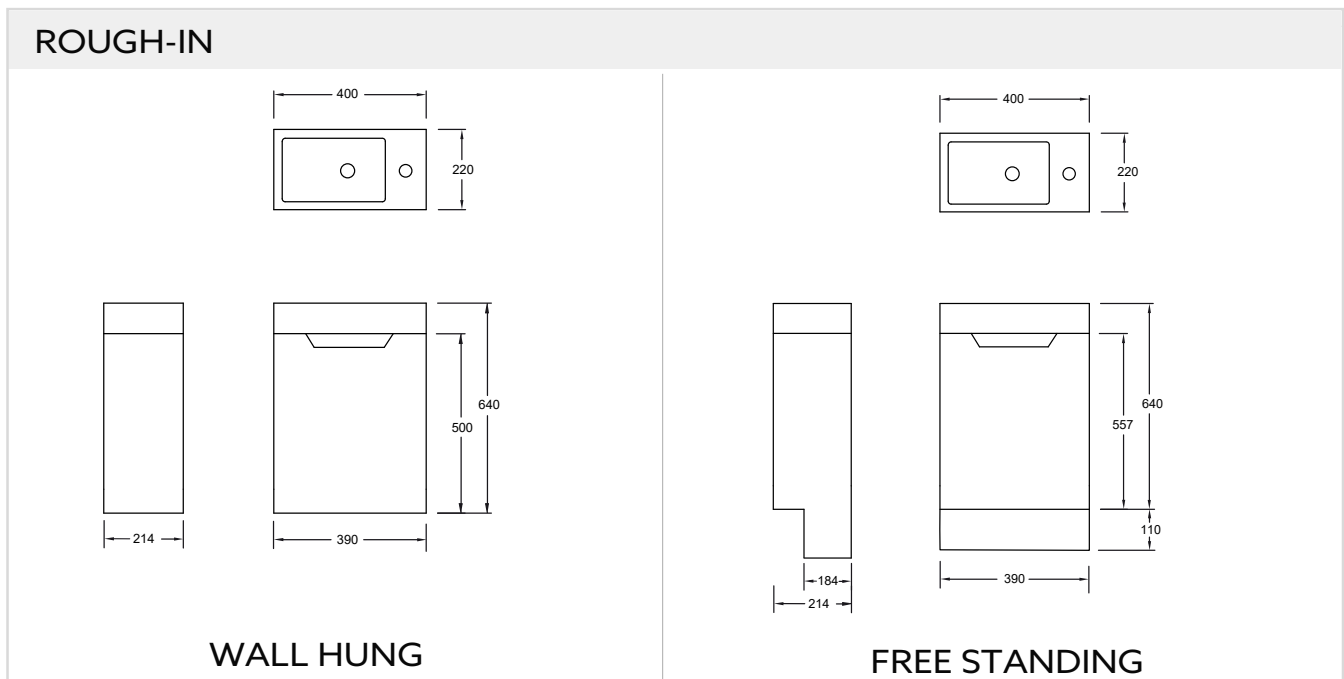
**FREE STANDING
RIGHT HAND**

BEFORE YOU BEGIN:

Please read these instructions carefully to familiarise yourself with the required tools, materials, and installation sequences. Follow the sections that pertain to your particular installation. This will help you avoid costly mistakes. In addition to proper installation, read all operating and safety instructions. Prior to installation, inspect cabinet and top to ensure that no damage has occurred in transit. If damage has occurred, or a visible defect exists, do not proceed with installation, and advise your supplier immediately.

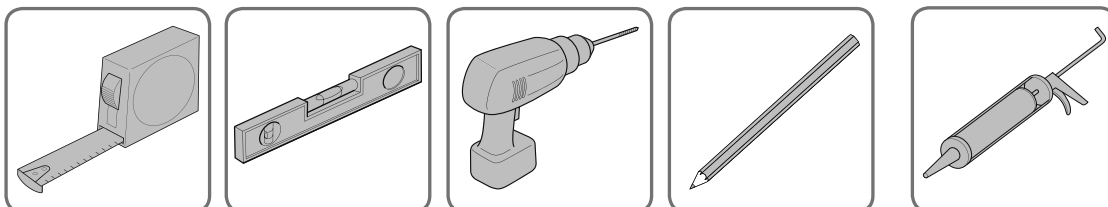
Instructions, drawings, and diagrams contained in this manual present information available at the time of printing. Although every attempt has been made to keep them up-to-date, Englefield reserves the right to implement product changes without further notice.

Please leave these instructions for the consumer. They contain important information.

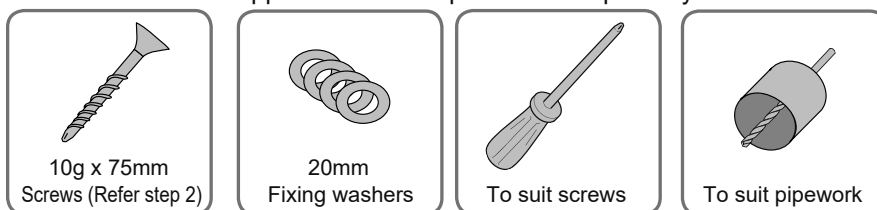


TOOLS & MATERIALS REQUIRED - (Not Supplied)

TOOLS



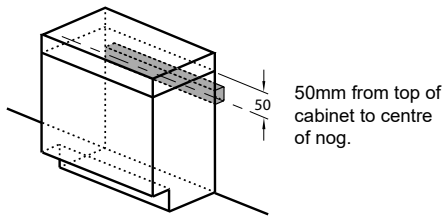
MATERIALS - Not supplied & must be purchased separately



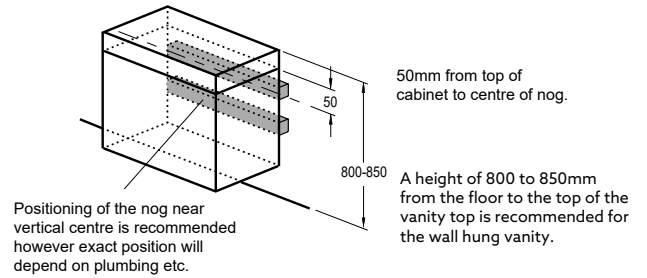
CONSTRUCTION REQUIREMENTS:

Floor standing models must be fixed to a nog in the wall. Wall hung models must be fixed to two nogs in the wall. The nog size should be 50 x 75mm.

Floor standing models



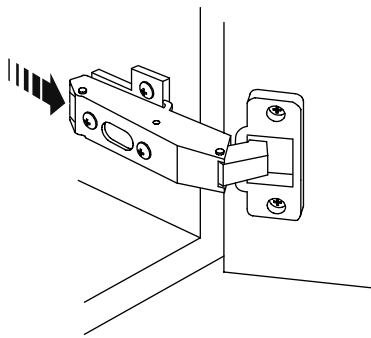
Wall Hung models



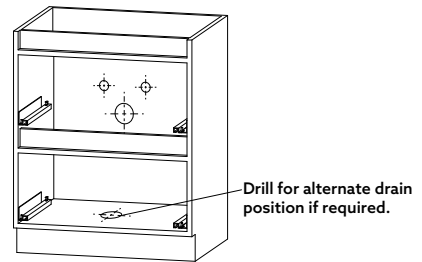
INSTALLATION:

1 Water supply and waste pipe holes

(a) To make installation easier remove the cabinet door. To release the door hinge press the buttons at the rear of the hinges.



(b) Measure & mark the centres for water supply & waste pipes on the back of the cabinet.



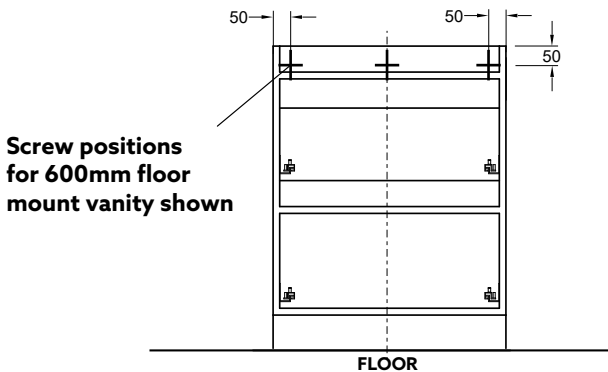
(c) With a suitably sized hole saw drill the holes for the water supply and waste.

2 Fixing the vanity to the wall

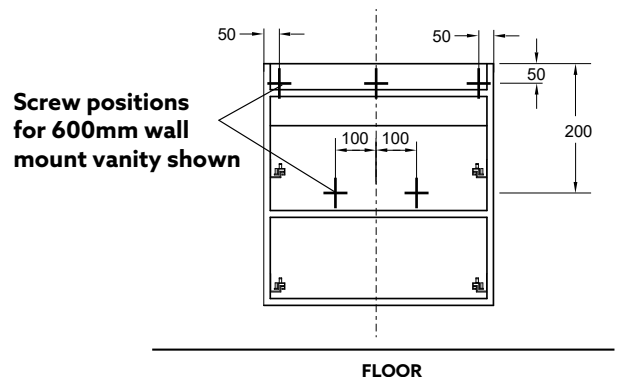
(a) Fix the cabinet to the wall using 6 screws (min 10g x 75mm) and 6 *20mm washers. Screw through the back wall so that they screw into the nog/s in the wall behind for the water supply and waste.

*Washers must be used to spread the load.

Floor standing models



Wall Hung models



NOTE: Before fastening the cabinet make sure that it is sitting level and square.

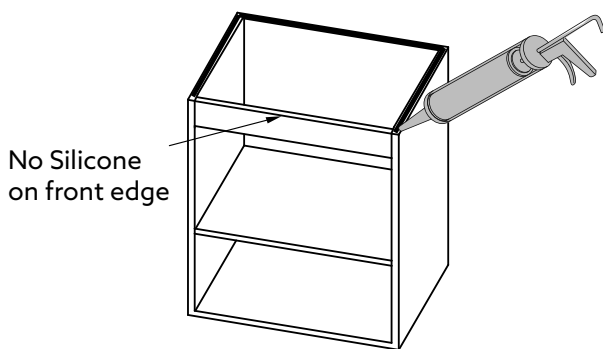
NOTE: Screws should be positioned in an evenly spaced pattern as shown below.

3 Vanity top

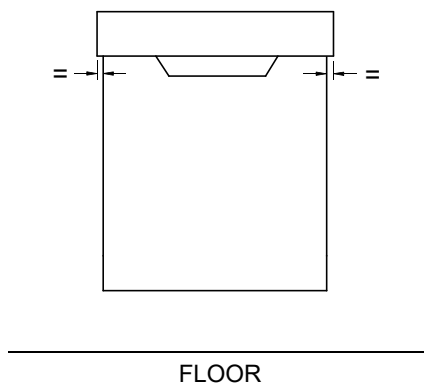
(a) Unpack the top and check for any damage that might have occurred in transit. Check and confirm the fit of your selected tapware.

(b) The basin can be installed with the tap hole on either the left or right hand side. Decide on your preferred tap hole location.

(c) Apply a continuous bead of silicone (not supplied) to the top edge of the cabinet sides and back. Ensure there are no gaps in the silicone bead. This will ensure the basin stays securely fitted to the cabinet and no water spillage will find its way into the cabinet.



(d) Place the basin onto the cabinet ensuring that the back is flush against the wall and there is an even overhang on either side of the cabinet.



(e) Wipe off any excess sealant.

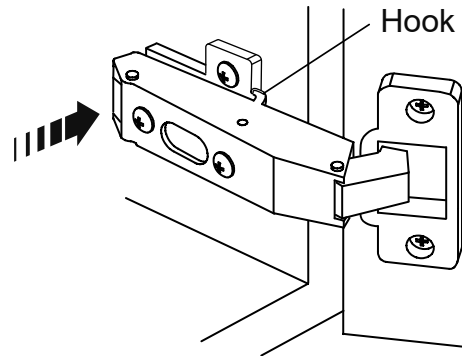
4 Waste and tapware

(a) Fit the waste and tapware. Connect the water supply to the taps and waste pipe to the waste outlet.

(b) Run hot and cold water and check for leaks. When satisfied with the results move on to the next section.

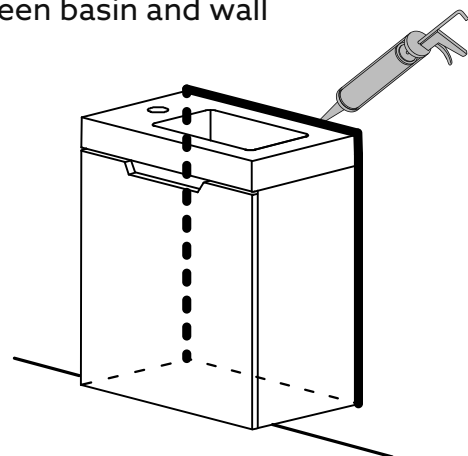
5 Sealing

(a) Re-install the cabinet door. Hook the hinges onto the base plates and press down as shown.



(b) All edges **MUST** be sealed with an approved Silicone Sealant.

- Between cabinet and wall
- Between basin and wall



INSTALLATION COMPLETE

CLEANING AND MAINTENANCE INSTRUCTIONS

For cleaning instructions, please refer to the Owner's Information Leaflet.

Ceramic vanity top:

To clean use non abrasive soap and water. It is recommended that the product surface is wiped dry after each use to prevent the build up of soap and scum.

Vanity cabinet:

The materials used in the vanity cabinet are water resistant only, not water proof. Care must be taken to clean up all water spillage onto the vanity cabinet surfaces. To maintain the finish on your vanity cabinet clean with mild soapy water and dry with a soft cloth.

CAUTION

Material used in cabinet is water resistant only, not waterproof.
Care must be taken to clean up all water spillage.

WARNING

FOR YOUR PERSONAL SAFETY AND PRODUCT DURABILITY,
ENSURE THAT HOT WATER SUPPLY IS REGULATED TO 55°C MAXIMUM

CONTACT AND WARRANTY INFORMATION

NEW ZEALAND
Kohler New Zealand Limited

0800 100 382
info@englefield.co.nz
englefield.co.nz

AUSTRALIA

englefield.com

