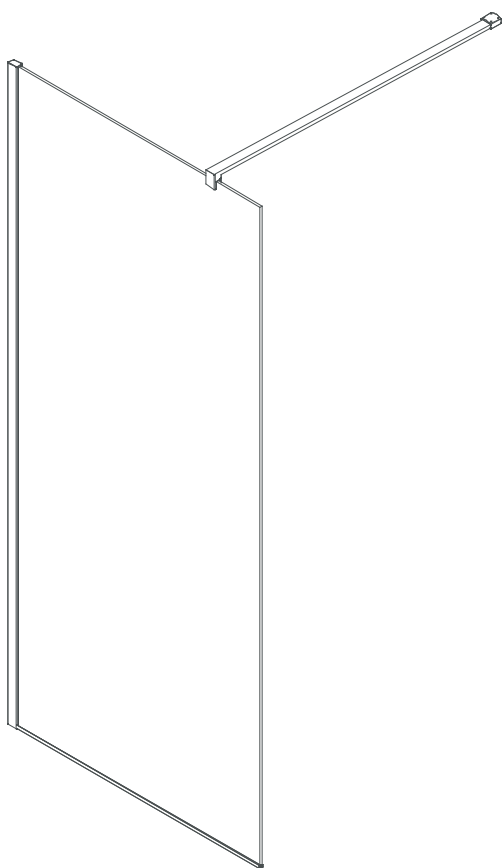


# INSTALLATION INSTRUCTIONS

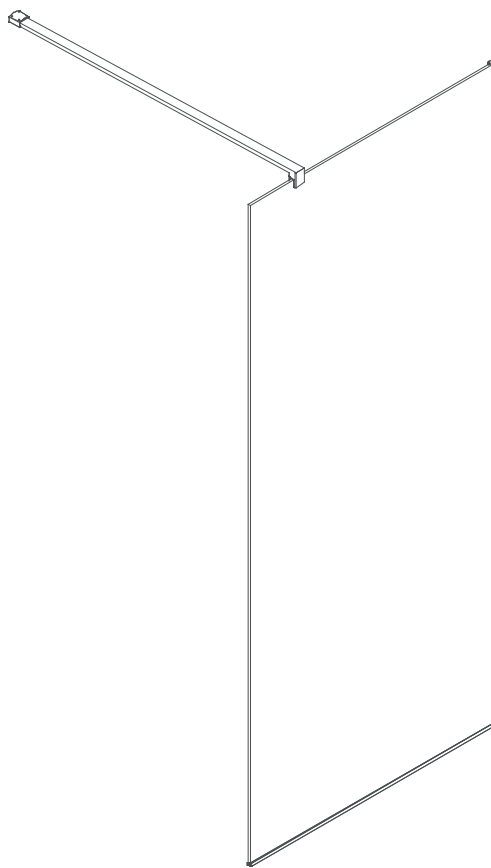
## SHOWER | EVORA SHOWER SCREEN

Englefield  
A KOHLER Company

29416A



LEFT



RIGHT



To assist with product tracking the shower has QR code label underneath the wall retainer caps. Use this QR code when contacting customer support for assistance with your newly purchased shower.

## BEFORE YOU BEGIN:

Before installing the shower please read these instructions carefully to familiarise yourself with the required tools, materials, and installation sequences. Please leave these instructions for the consumer after installation. Refer to the separate care and maintenance guide for important care and cleaning information.

Ensure that the installation of the shower tray and wall, where applicable, is completed prior the installation of the shower screen. Follow all warnings, cautions and instructions contained in this guide.

### SAFETY:

1. ENGLEFIELD strongly recommends that a minimum of TWO persons install this enclosure due to the weight of the shower screen panel
2. Toughened safety glass cannot be cut. Risk of injury or product damage.
3. Wear protective footwear when lifting panels.
4. Wear safety glasses when drilling.

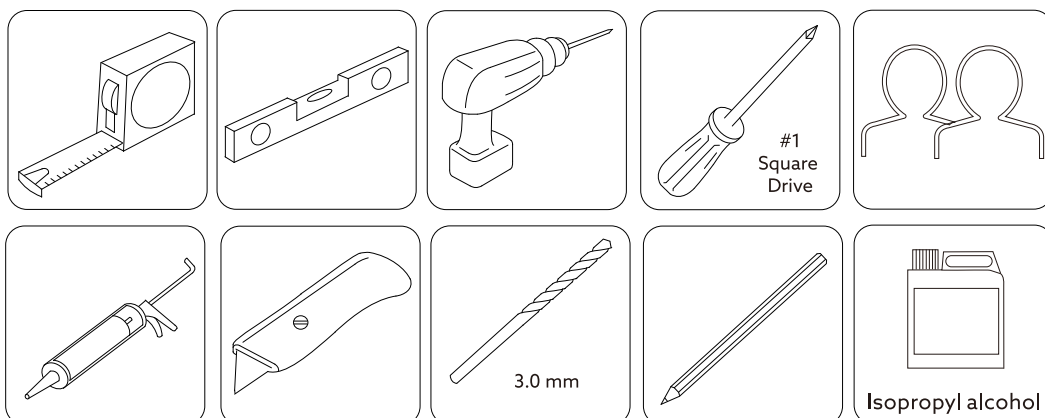
### ATTENTION:

1. The wall retainer must be installed onto a waterproof, vertical and flat wall surface. Failure to do so will result in an unsatisfactory seal, which may cause property damage. The wall inclination (out of squareness) is recommended to be out by no more than +/- 2mm/m.
2. Please install this shower screen onto an ENGLEFIELD tray, unless installing directly onto tiled walls and floor.

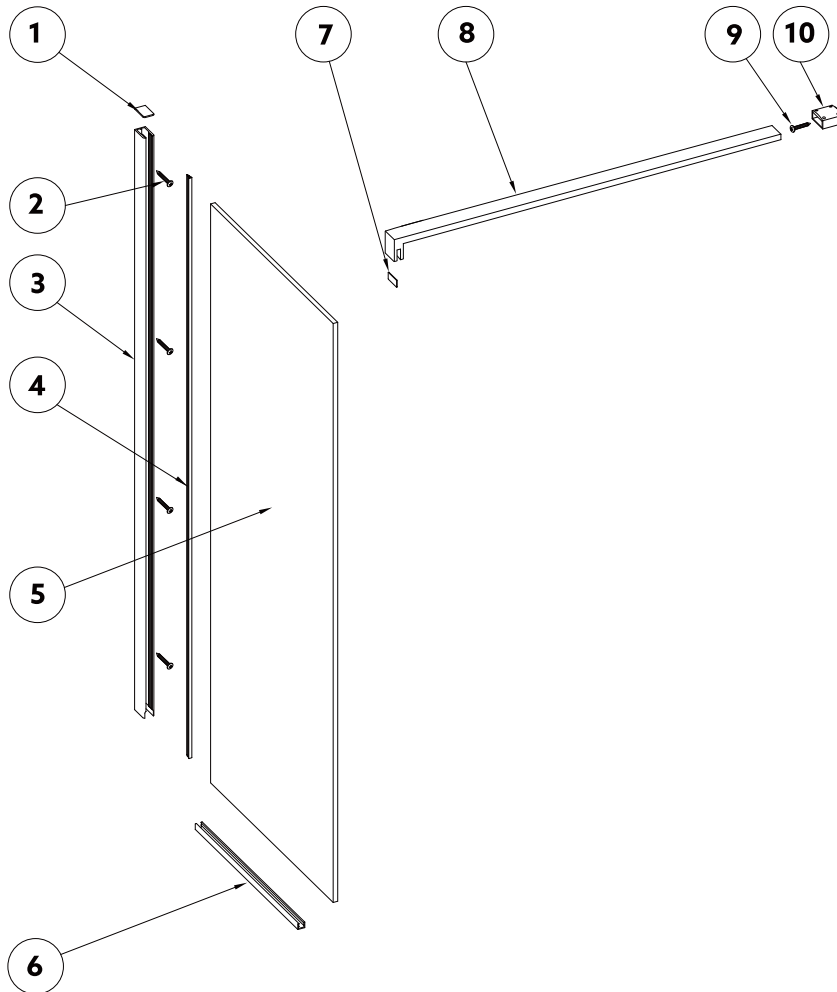
 For the shower screen to be installed correctly the floor and tray **MUST BE level**.

3. Care must be taken when drilling into walls and floors to avoid any hidden pipes or wires.
4. Prior to sealant application, clean the surface with Isopropyl alcohol.
5. It is the responsibility of the INSTALLER to ensure that the installation complies with council and or local authority by laws.

## TOOLS AND MATERIALS REQUIRED:



PARTS IDENTIFICATION:



<p>1 x 1</p>	<p>2 x 4 ST4 x 30</p>	<p>3 x 1</p>	<p>4 x 1</p>	<p>5 x 1</p>	<p>6 x 1</p>
<p>7 x 1</p>	<p>8 x 1</p>	<p>9 x 1 ST4 x 40</p>	<p>10 x 1</p>	<p>11 x 1 2.5mm 4mm</p>	<p>12 x 1 fixture for seal</p>

## INSTALLATION - OPTIONS:

### OPTION 1 - Premium wall & Tray

**Tray:** For tray installation refer to the instructions supplied with the tray.

**Wall:** For wall installation refer to the instructions supplied with the wall.

- Proceed to shower screen Installation.

### OPTION 2 - Tiled Wall & Tray

**Tray:** For tray installation please refer to the instructions supplied with the tray.

Tiled Wall:

- Proceed to shower screen Installation.

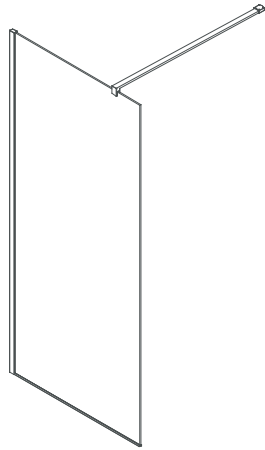
### OPTION 3 - Tiled Wall & Floor

- The shower screen can be installed directly onto the wall and floor tiles.

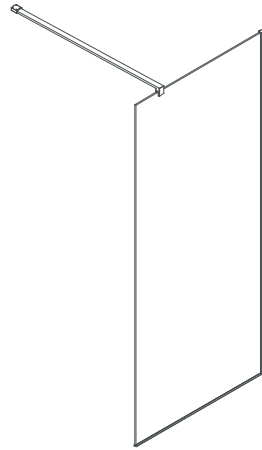
- Proceed to shower screen Installation.

# INSTALLATION - OPTIONS:

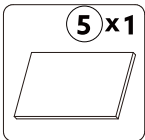
LEFT



RIGHT

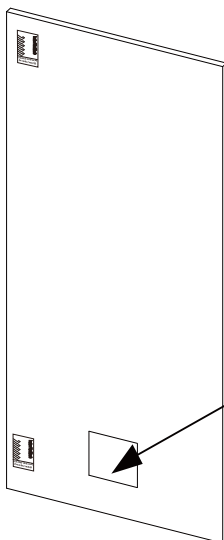


1

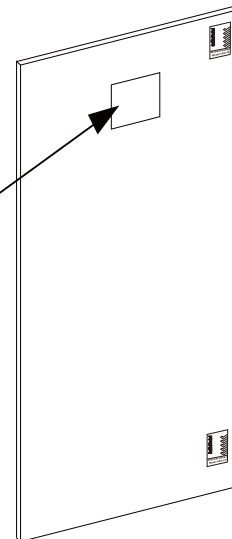


## RETURN HANDLING

LEFT

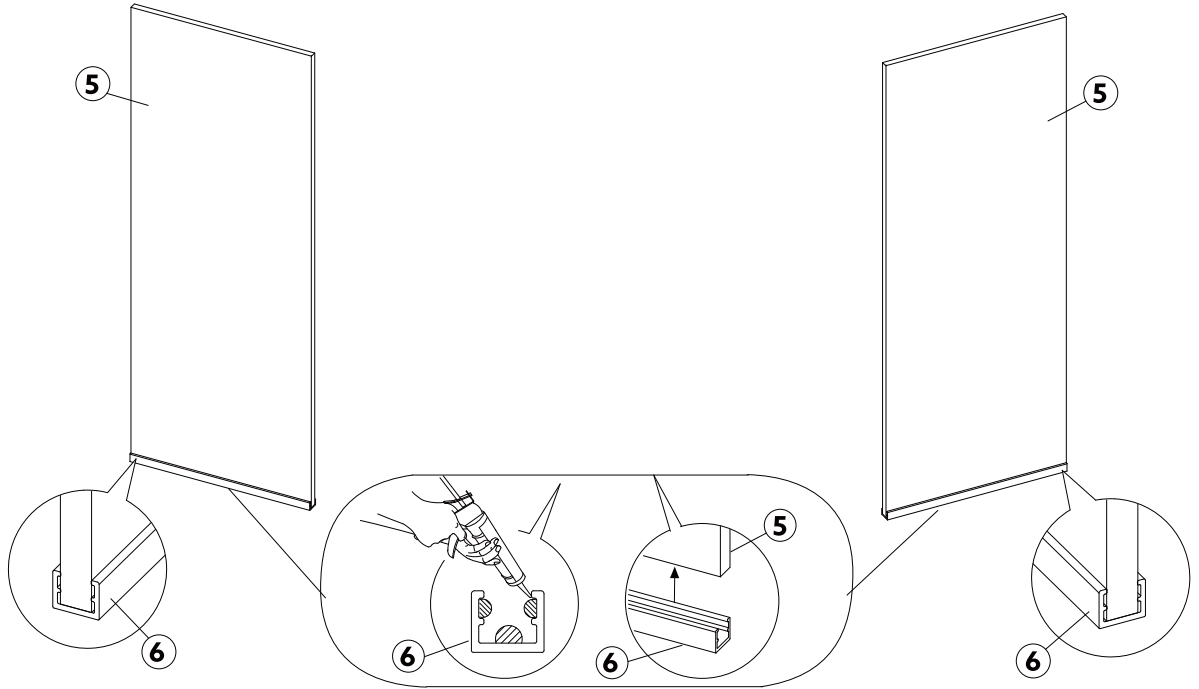
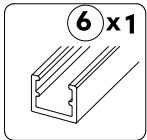
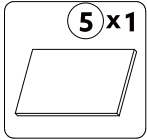


RIGHT

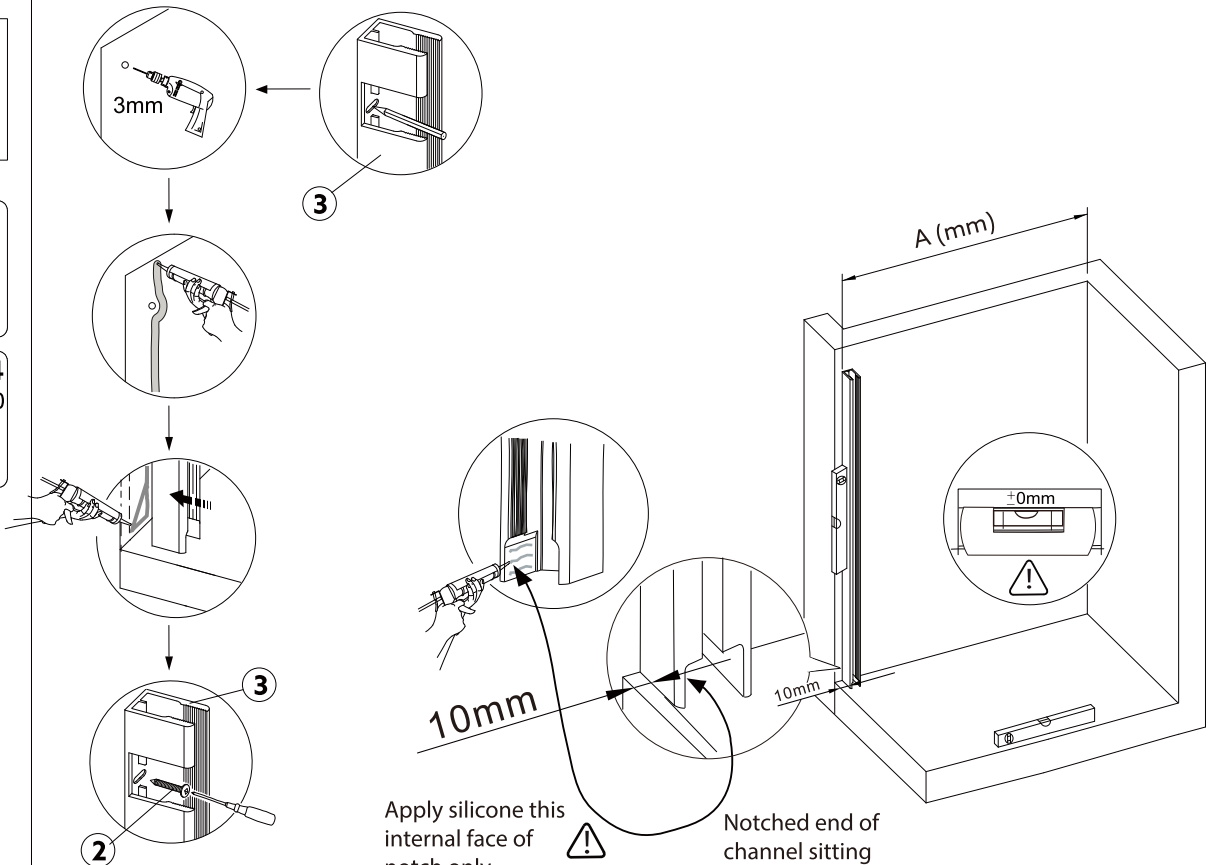
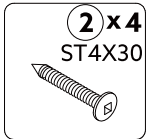


Label must be on the outside of the shower.  
The glass is coated on the inside

2



3

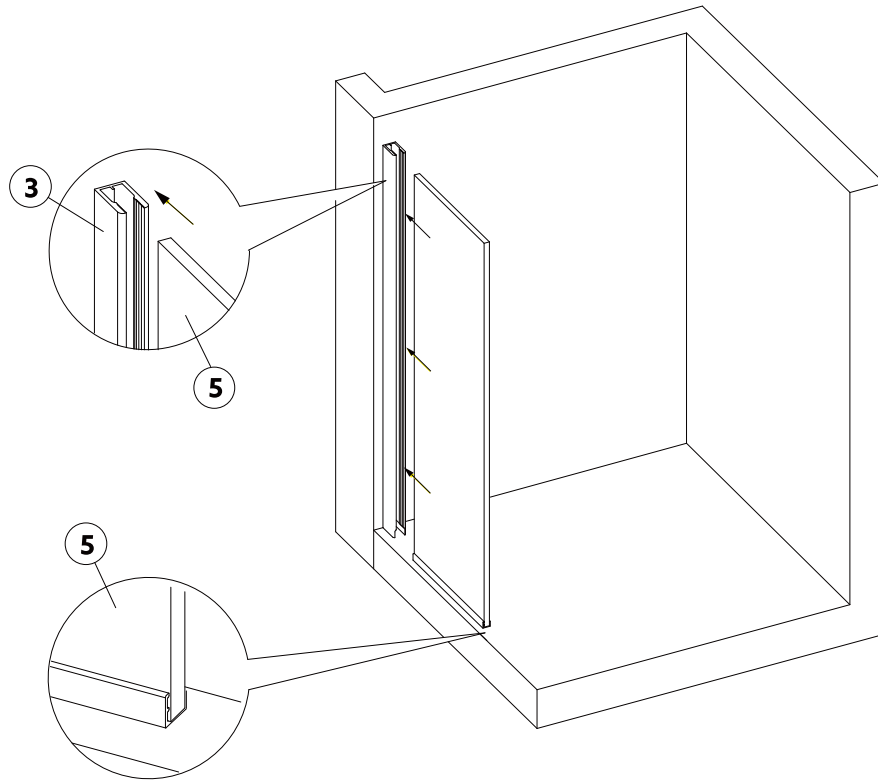
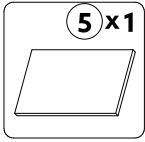


⚠ Apply silicone this internal face of notch only (Surface must be cleaned)

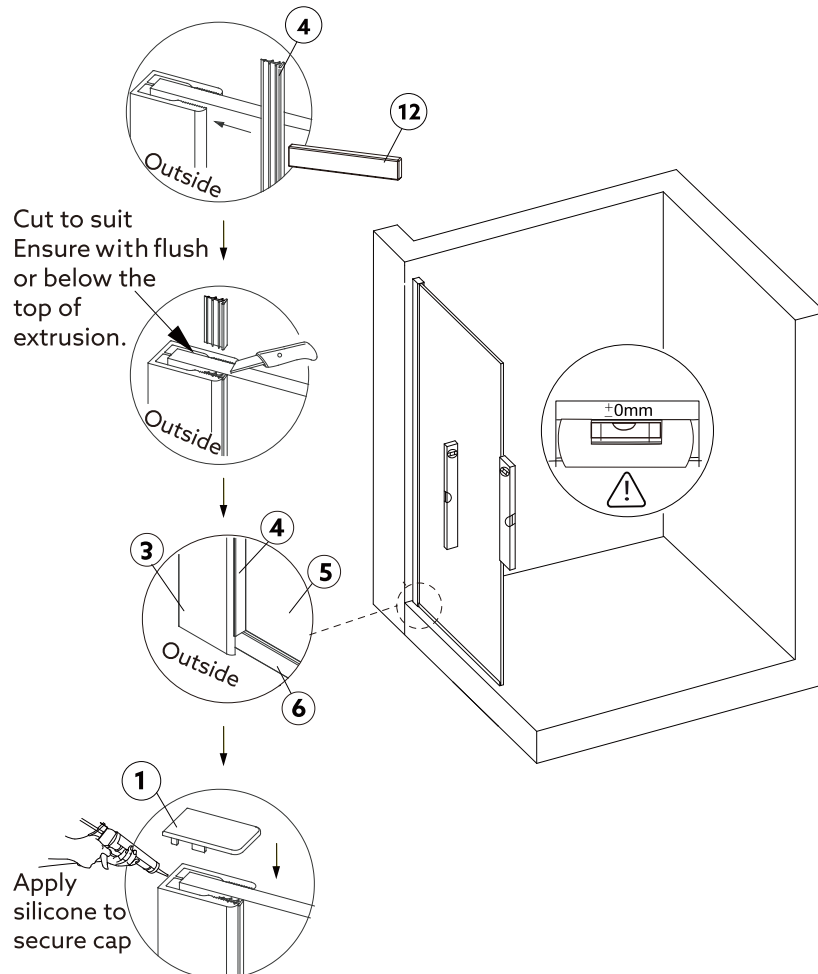
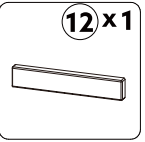
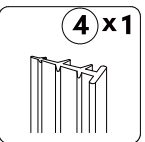
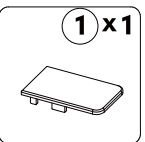
Apply silicone this internal face of notch only (Surface must be cleaned) ⚠

Notched end of channel sitting onto the tray

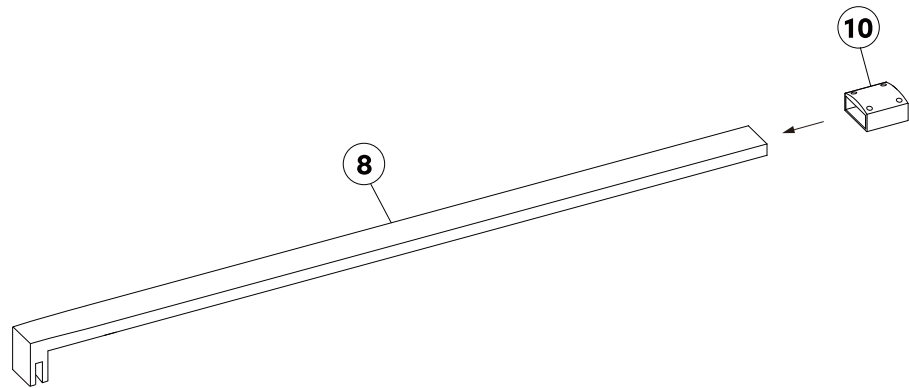
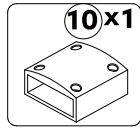
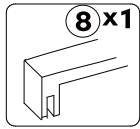
4



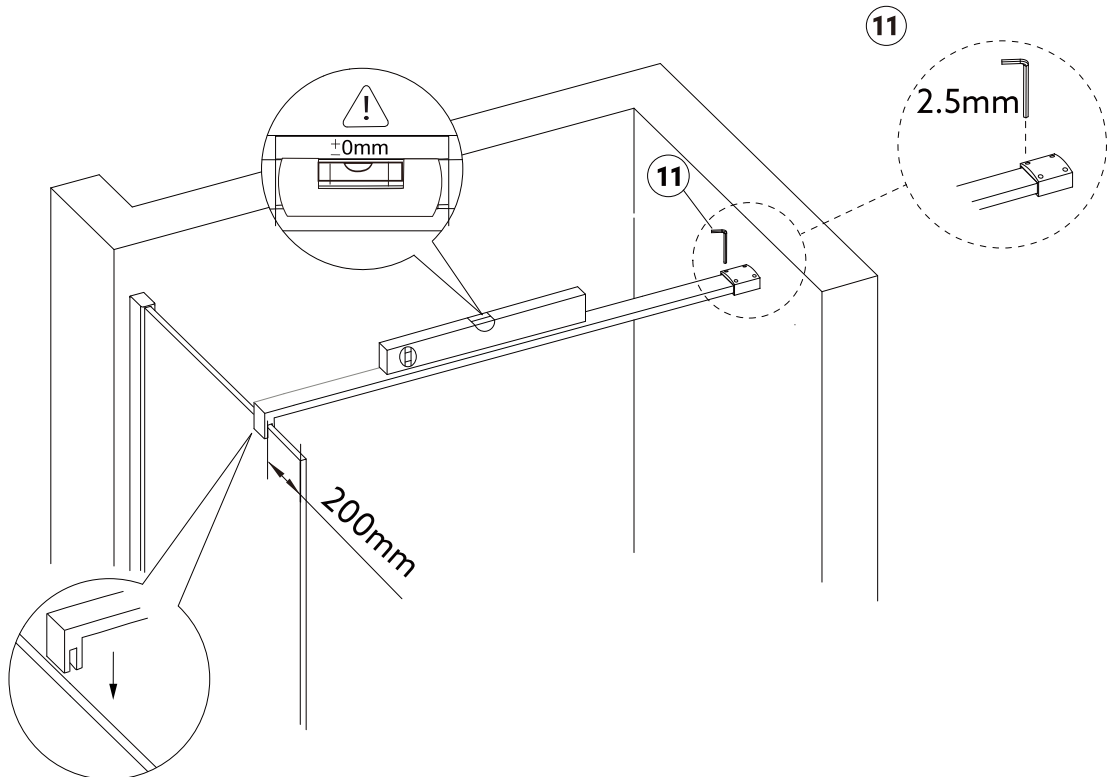
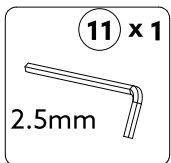
5



6



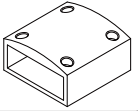
7





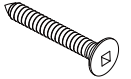
8

10 x 1

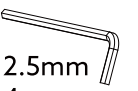


9 x 1

ST4X40

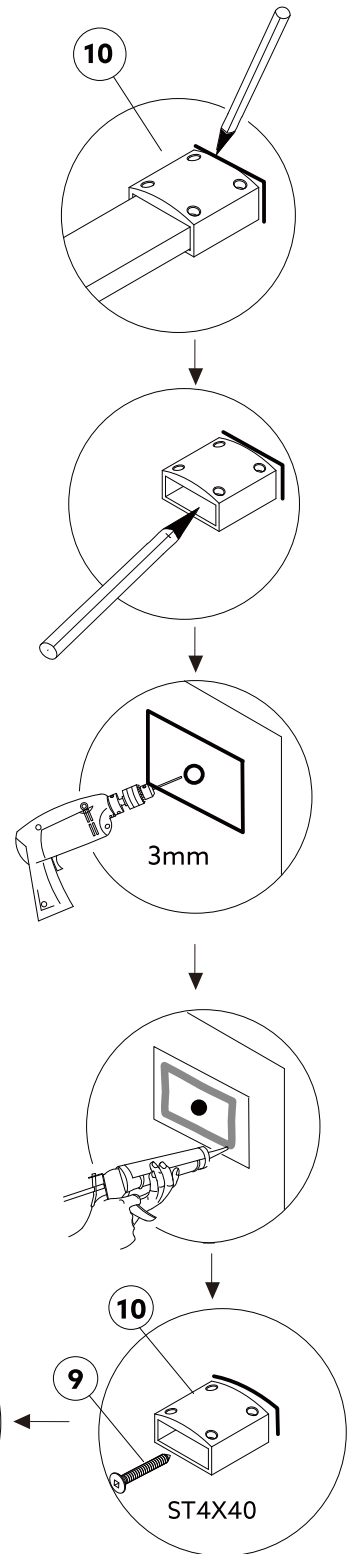
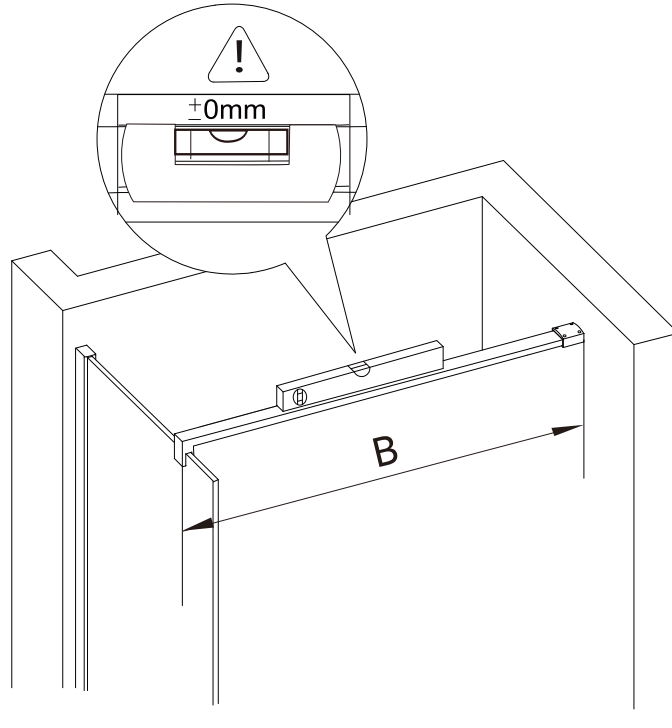


11 x 2

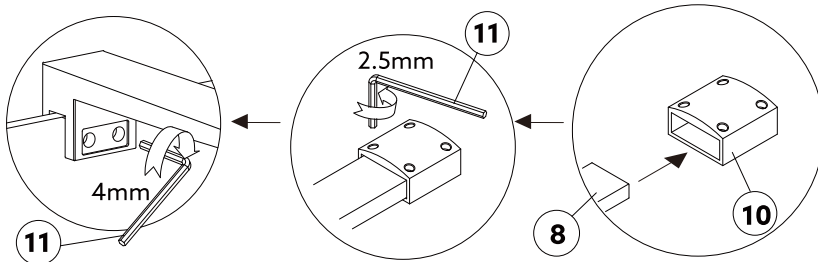


2.5mm  
4mm

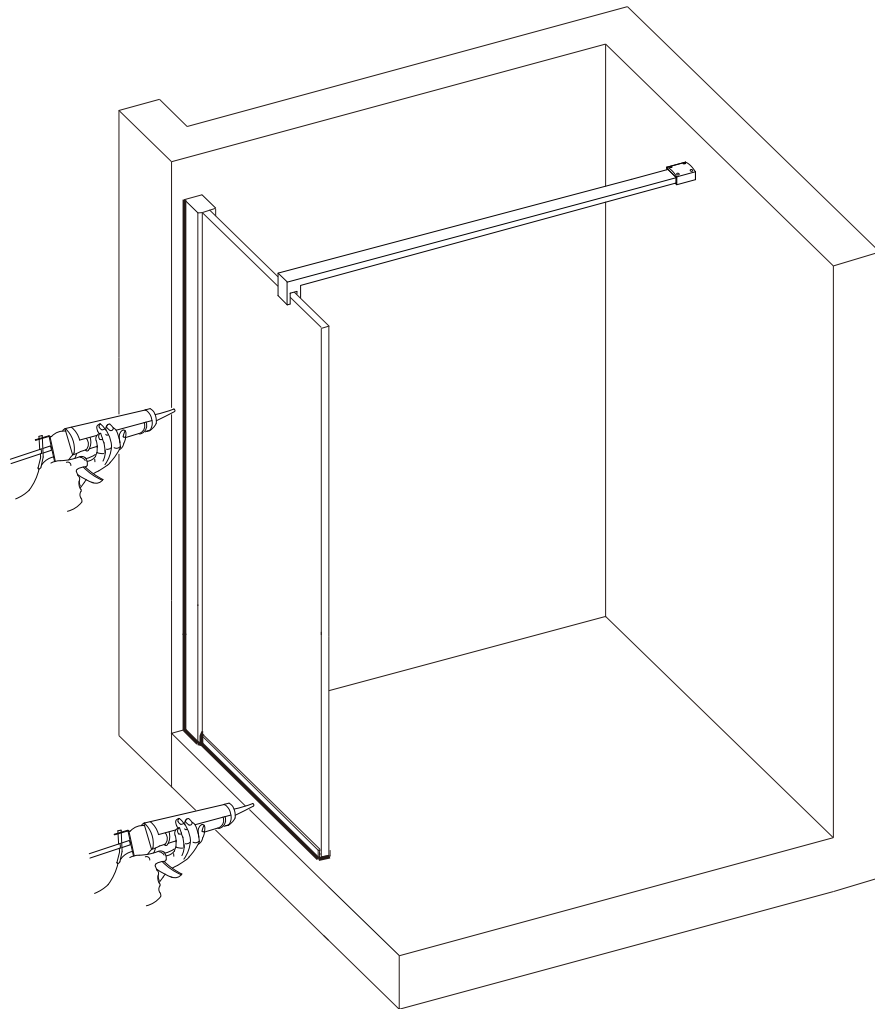
Mark location of the cap  
Then remove the rail.



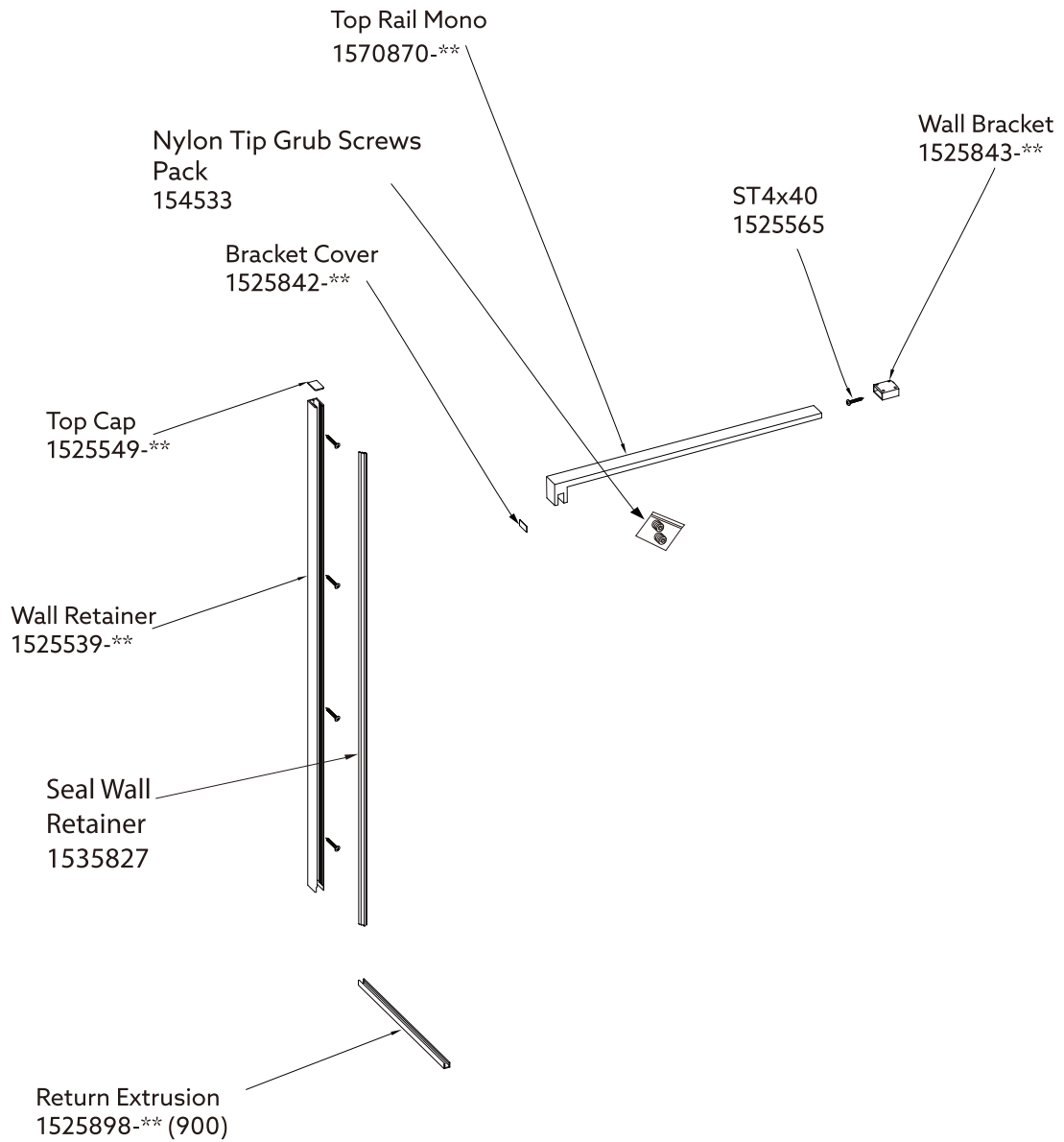
Model	B(mm)
1100*2000	1210-1220



9



**SPARE PARTS:**



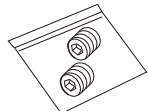
1525550 Fitting kit Wall Retainer  
(Bag of 9 screws) ST4 x 30



1525565 Fitting kit Wall Bracket  
(Bag of 2 screws) ST4 x 40



154533 Nylon Tip Grub Screws  
Pack (Bag of 2)



**CONTACT AND WARRANTY INFORMATION:**

---

**NEW ZEALAND**

**Kohler New Zealand Limited**

**0800 100 382**

**info@englefield.co.nz**

**englefield.co.nz**

**AUSTRALIA**

**englefield.com**

For warranty information, please visit our website.

