

INSTALLATION INSTRUCTIONS



SHOWER

MILANO™ Alcove



Englefield has a history of making superb showers and their popularity is testament to their quality and affordability.

It's the details that Englefield cares about - from pioneering the latest technology, to innovative design, it's all to make your showering experience the very best it can be.

Note: Tapware not included.

BEFORE YOU BEGIN

Before installing the shower please read these instructions carefully to familiarise yourself with the required tools, materials and installation sequences. Please leave these instructions for the consumer after installation. Refer to the separate care and maintenance guide for important care and cleaning information.

Ensure that the shower tray and wall, if applicable, are completely finished prior to installing your shower door and return. Follow all warnings, cautions and instructions contained in this guide.



SAFETY

1. ENGLEFIELD strongly recommends that a minimum of TWO persons install this enclosure due to the weight of the door panels.
2. Toughened safety glass cannot be cut. Risk of injury or product damage.
3. Wear protective footwear when lifting panels.
4. Wear safety glasses when drilling.



ATTENTION

1. The wall retainers must be installed onto a waterproof, vertical and flat wall surface. Failure to do so will result in an unsatisfactory seal, which may cause property damage. The wall inclination (out of squareness) is recommended to be out by no more than **+/- 4mm/m**.
2. Please install this door onto an ENGLEFIELD Quick - Fit® Low Profile shower tray only, unless installing directly onto tiled walls and floor.
3. Care must be taken when drilling into walls and floors to avoid any hidden pipes or wires.
4. It is the responsibility of the INSTALLER to ensure that the installation complies with council and or local authority bylaws.

Instructions, drawings, and diagrams contained in this manual present information available at the time of printing. Although every attempt has been made to keep them up-to-date, Englefield reserves the right to implement product changes without further notice.

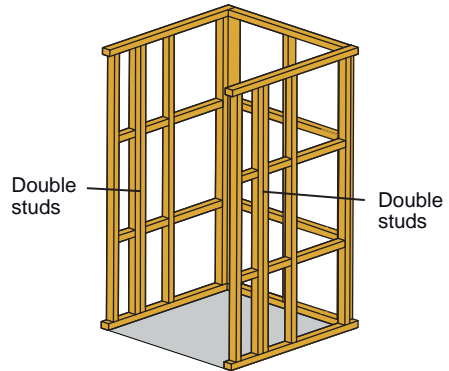
CONSTRUCTION REQUIREMENTS

Wall Framing



ATTENTION

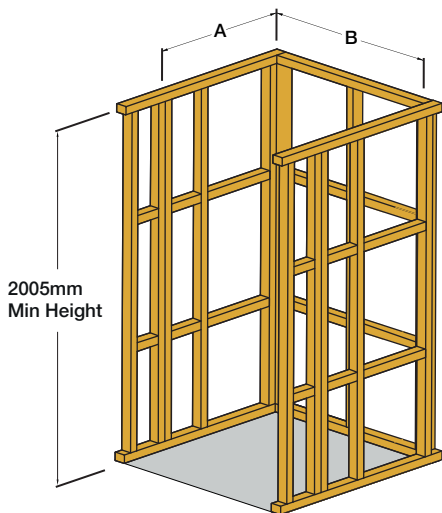
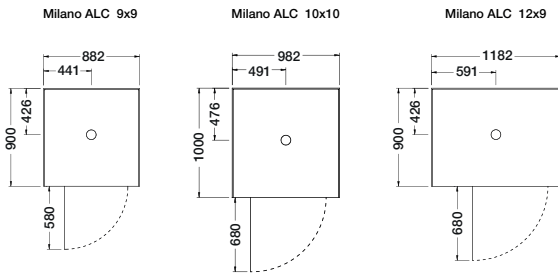
Due to the weight of the glass panels Englefield strongly recommends fixing the wall retainers to double studs for all installation types (as below).



For acrylic tray with acrylic or tiled wall

Size	Dim 'A'	Dim 'B' ⁺² ₋₀
900 x 900	900	884
1000 x 1000	1000	984
1200 x 900	900	1184

NOTE: This setup allows for the use of standard 10mm wall board. A thicker wall board could make the recess too narrow for the door system.

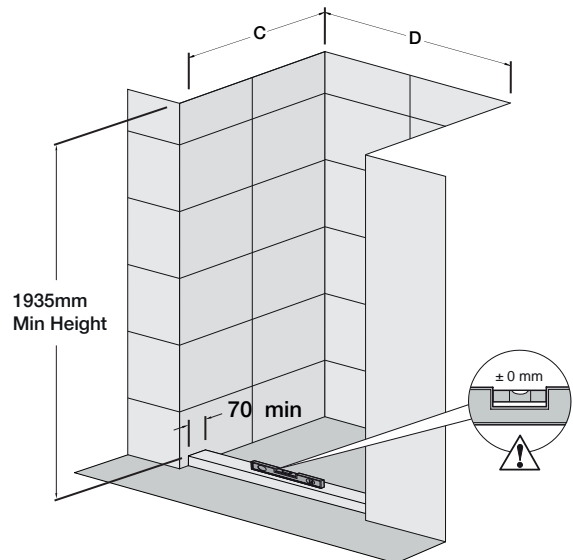
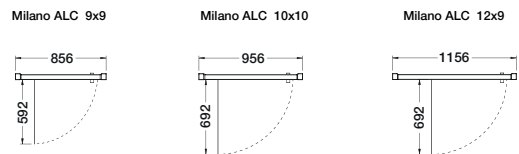


For tile floor and tile wall - Finished surfaces

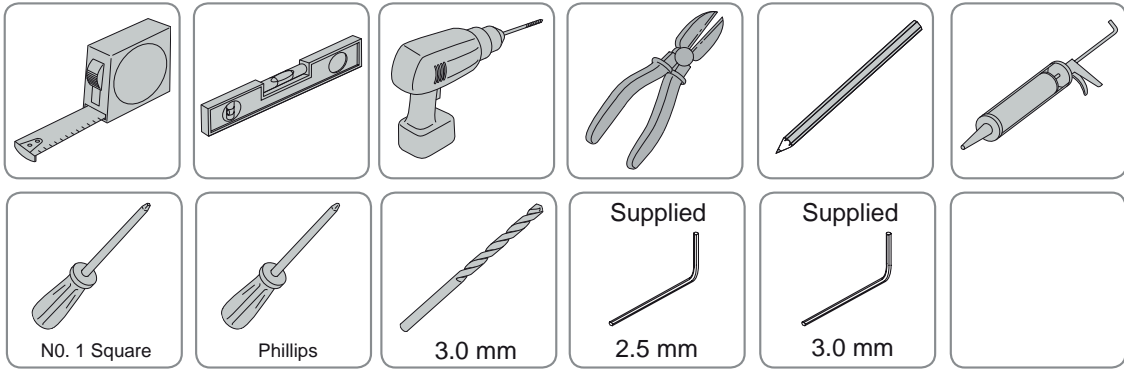
Size	Dim 'C'	Dim 'D' ⁺⁵ ₋₀
900 x 900	N/A	856
1000 x 1000	N/A	956
1200 x 900	N/A	1156

Finished /tiled hob to be:

- 1) Minimum 70mm wide.
- 2) 1-2° fall front to back is acceptable.
- 3) Level (+/-0mm) left or right.

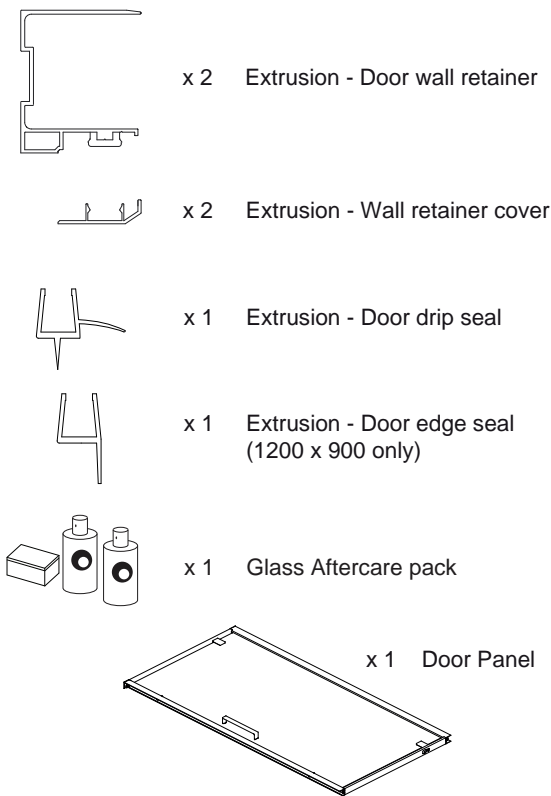


TOOLS AND MATERIALS REQUIRED

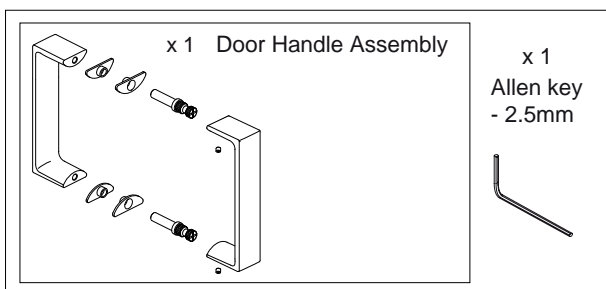


PARTS IDENTIFICATION

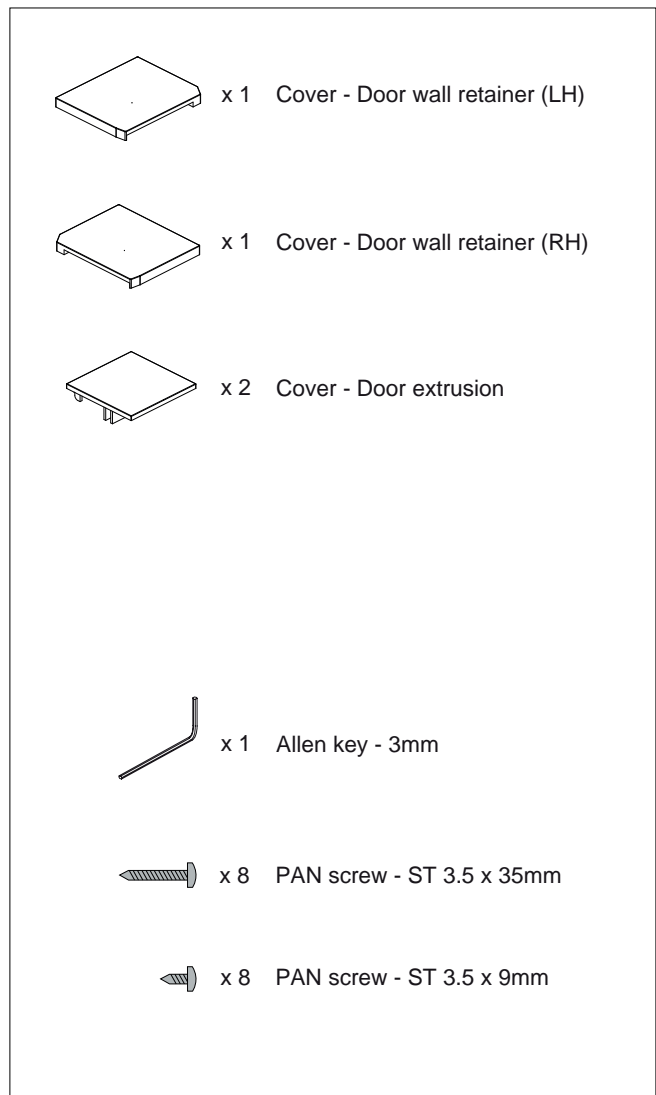
Door Pack



Door Handle Pack



Hardware Pack



1 - INSTALLATION - Options

OPTION 1

Acrylic Wall & Tray



OPTION 2

Tiled Wall & Acrylic Tray



OPTION 3

Tiled Wall & Floor



OPTION 1 - Acrylic Tray & Acrylic Wall

Acrylic Tray: For tray installation refer to the instructions supplied with the tray.

Acrylic Wall: For wall installation refer to the instructions supplied with the wall.

- Proceed to Section 2 - Door and return installation.

OPTION 2 - Acrylic Tray & Tiled Wall

Acrylic Tray: For tray installation please refer to the instructions supplied with the tray.

Tiled Wall:



ATTENTION

The complete door system MUST be installed onto the waterproof membrane PRIOR TO WALL TILING.

Failure to install the complete door system before tiling may mean the door system will not fit on the shower tray due to the tile thickness.

- Proceed to Section 2 - Door and return installation.

OPTION 3 - Tiled Wall & Floor

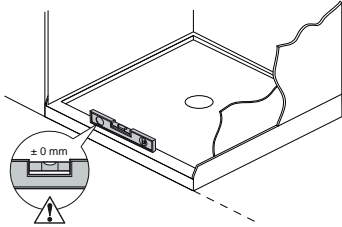
- The door and return can be installed directly onto the wall and floor tiles.
(Refer to construction requirements).

- Proceed to Section 2 - Door and return installation.

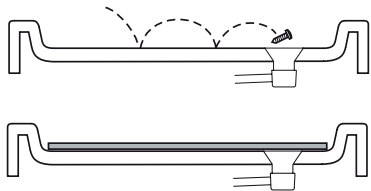
2 - INSTALLATION



Caution: Ensure tray or tiled floor is level & walls are vertical & square.



Tip: Cover the waste to prevent the loss of small parts. If installing onto a tray protect the tray surface during installation.

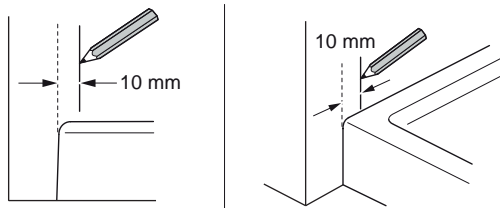


2.1 Wall Retainers and Door

(a) Mark the locations of the wall retainers.

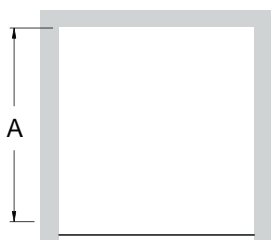
For tray base option:

- Mark 10mm in from top edge of tray.

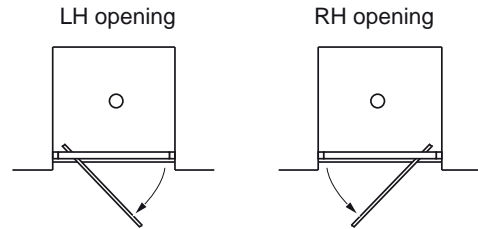


For tiled floor option:

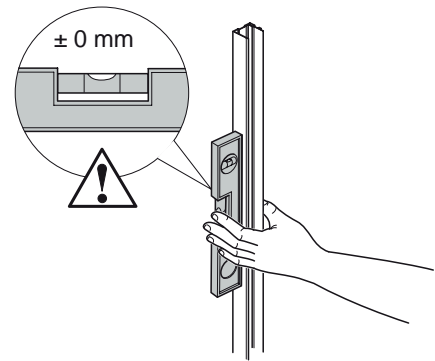
- Mark from back wall to outer edge of both retainers with your preferred dimension 'A'.



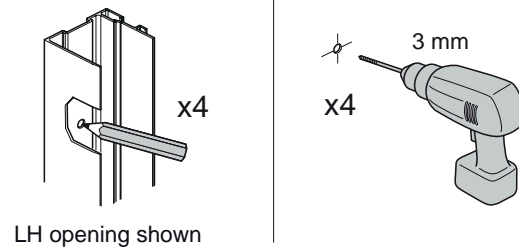
(b) This shower is reversible. Please choose which side you would like the door to open from.



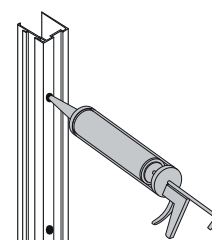
(c) Position a wall retainer on 'hinge side' wall with flat side facing outwards. Use a level to make sure it is upright. (This is critical to ensure correct operation of the door).



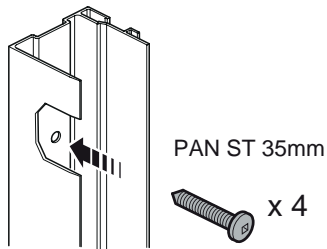
(d) Mark position of fixing holes, then remove wall retainer and drill holes using an appropriate 3mm drill bit (not supplied).



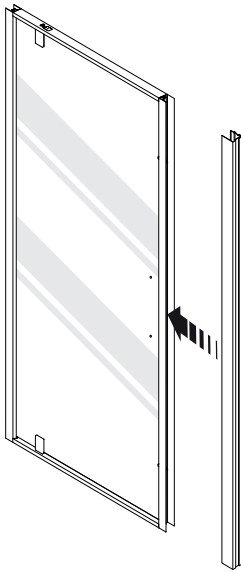
(e) Apply sealant (not supplied) around screw holes on rear side of wall retainer.



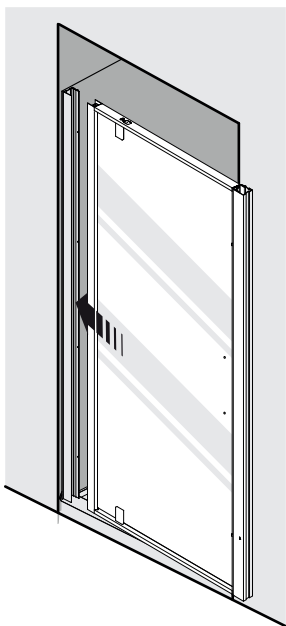
- (f) Fix wall retainer to hinge side wall using 4 screws (supplied).



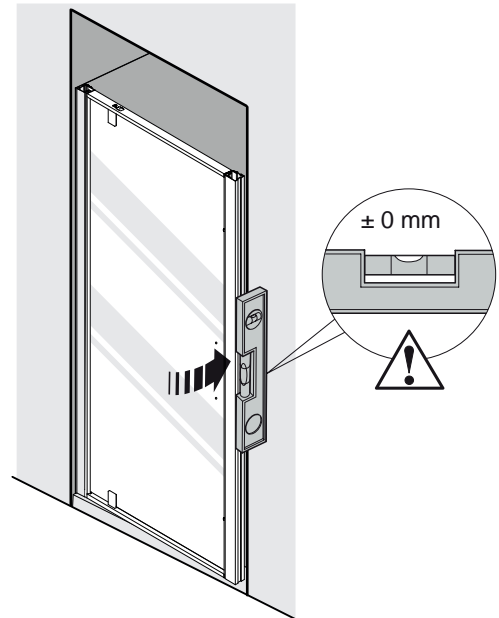
- (g) Fit other wall retainer onto non-hinge side of door assembly and hold in place.



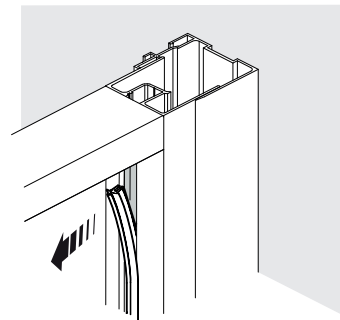
- (h) Slot door assembly into hinge side wall retainer. **NOTE:** Be careful not to scratch the extrusions during this process.



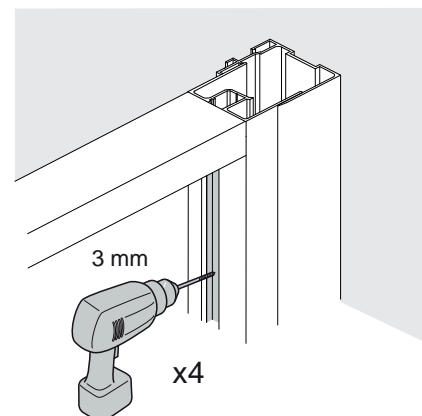
- (i) Rotate door assembly so that non-hinge side wall retainer slides into position. Ensure that the non-hinge side wall retainer is plumb & aligned with the hinge side wall retainer.



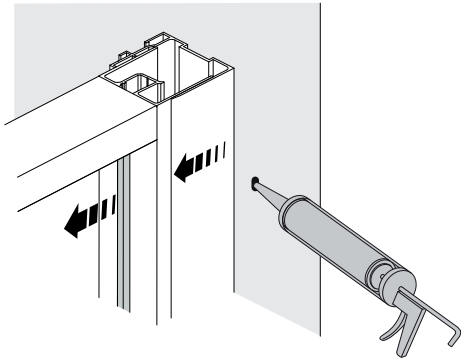
- (j) Open shower door and remove seal on non-hinge side.



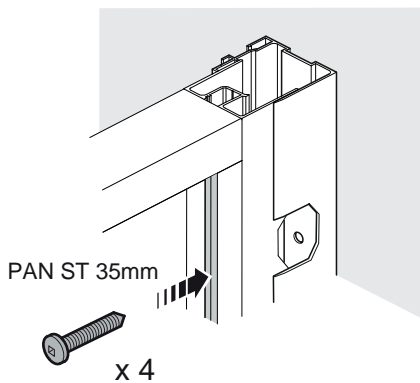
- (k) Open door and drill holes in wall retainer through existing door frame holes using an appropriate 3mm drill bit (not supplied).



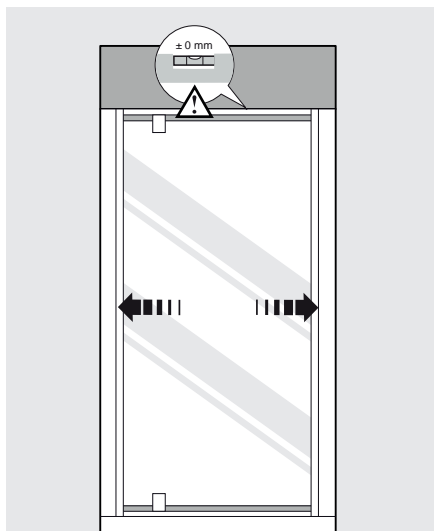
(l) Move door assembly and non-hinge side wall retainer as far towards the hinge side as possible and apply sealant (not supplied) to screw holes.



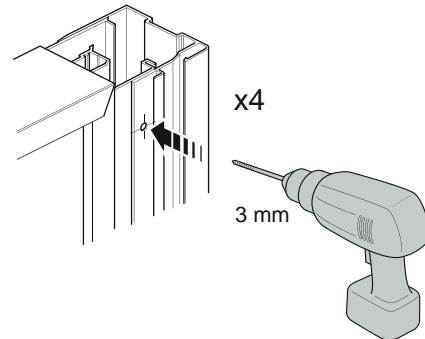
(m) Fix wall retainer to non-hinge side wall using 4 screws (supplied) and replace seal.



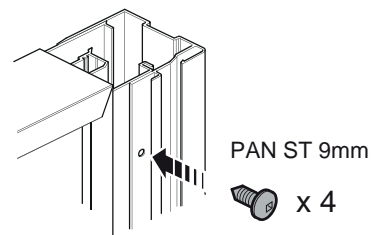
(n) Centre door assembly inside of wall retainers and make sure it is level.



(o) Drill 4 x 3mm holes from inside shower enclosure in door extrusion through pre-drilled holes in wall retainer.



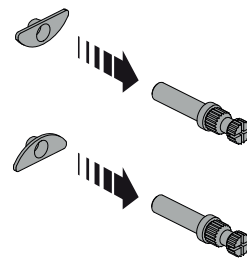
(p) Fix extrusion to wall retainer with pan screws (supplied).



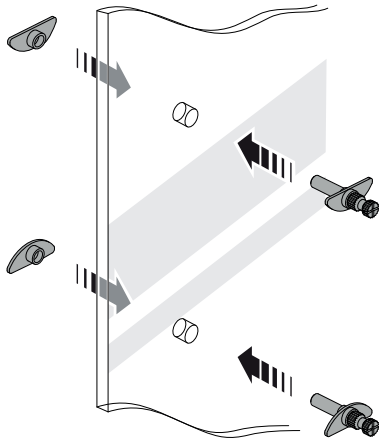
(e) Repeat steps (o) and (p) for other wall retainer.

2.2 Door Handles

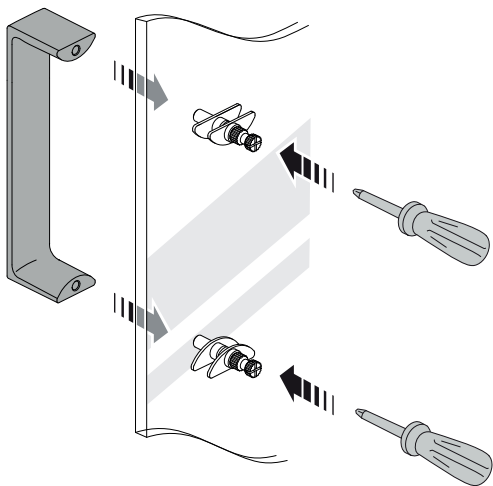
(a) Place a clear plastic washer onto threaded side of each spline. Note orientation.



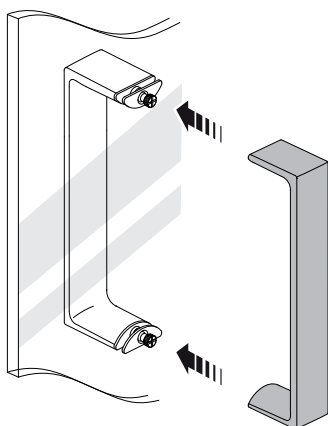
(b) Insert splines into holes in glass door from inside of shower and place a second clear plastic washer onto each spline. Note orientation.



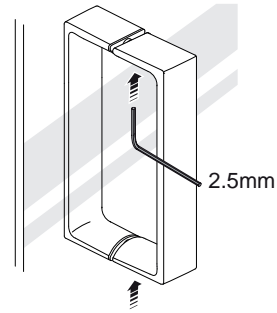
(c) Screw splines tightly into handle.



(d) Slide second handle onto splines. Grub screw holes must face down.

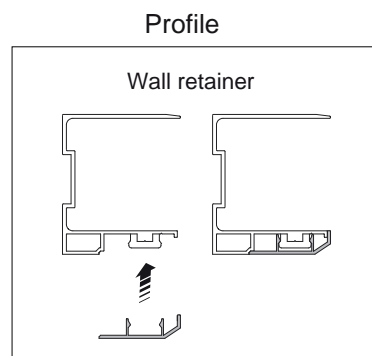
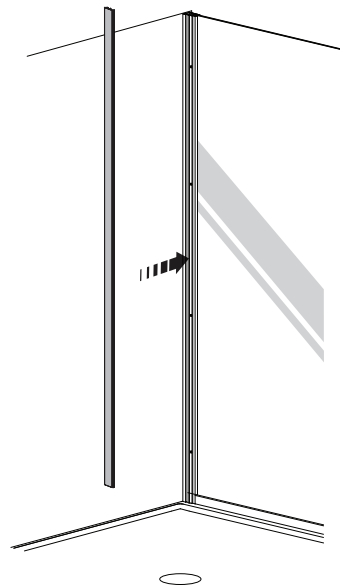


(e) Tighten inside handle grub screws using allen key (supplied).



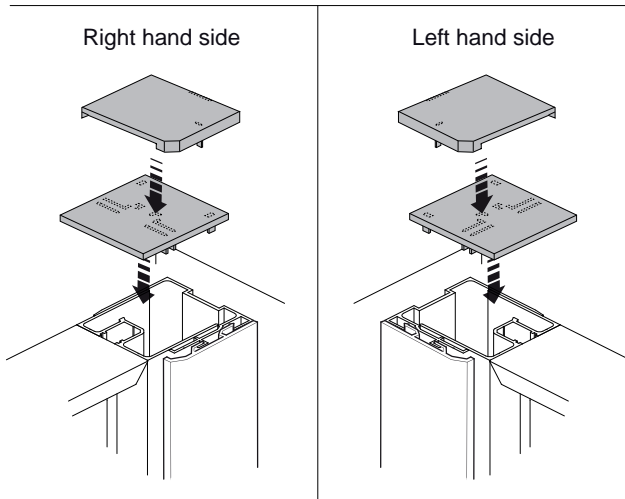
2.3 Covers & Caps

(a) Install retainer cover panel on wall retainer. Place cover against retainer, then firmly push inwards over clip to secure in position. If necessary place a piece of wood against the cover and tap gently with a soft hammer.



- (b) Repeat step (a) for the other door wall retainer.
- (c) Place 2 caps on top of each wall retainer. Note orientation as caps are handed. Apply a small bead of silicone to secure if necessary.

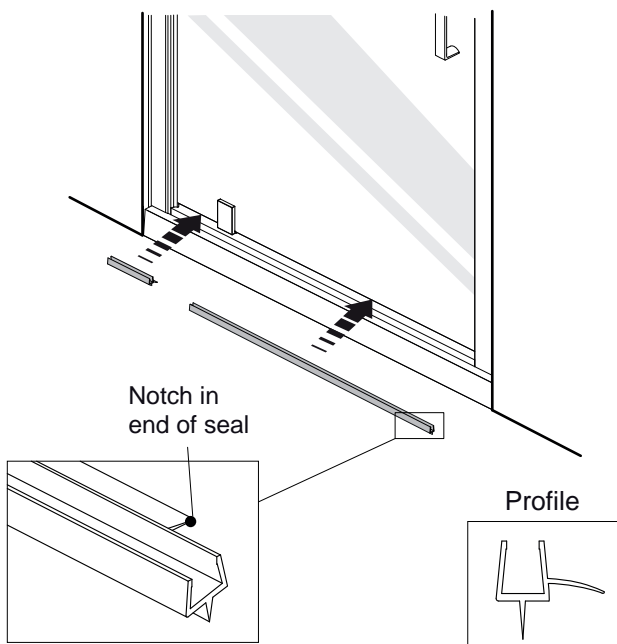
View from inside of shower



2.4 Seal installation

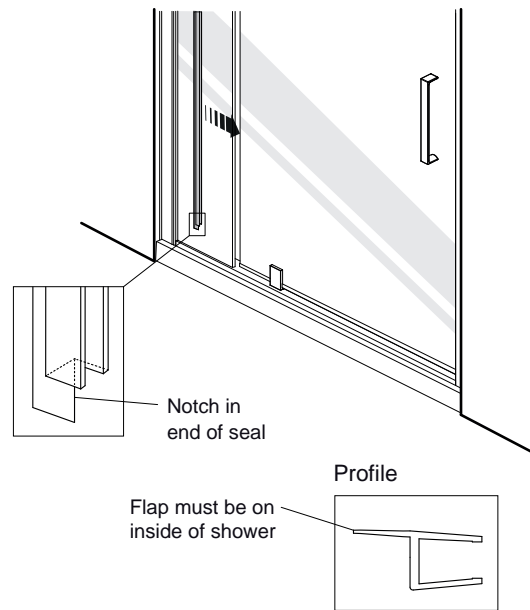
2.4.1 Drip seals

- (a) Cut drip seal to length and press fit onto bottom of door on both sides of hinge. Ensure seals are flush with sides of hinge and edges of glass. Notch end of seal to allow space for vertical door seal.



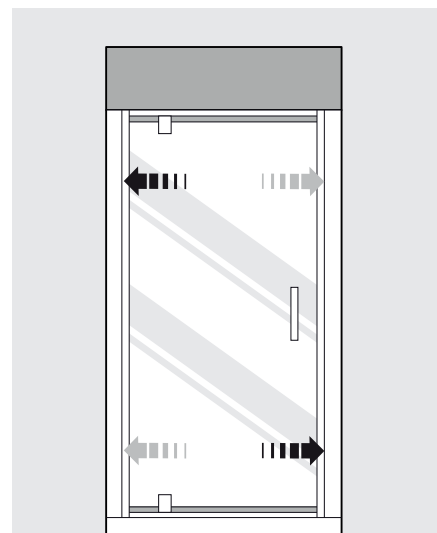
2.4.2 Door edge seal (1200 x 900 only)

- (a) Cut door edge seal to length and notch bottom end of seal to allow space for horizontal door seal. Press fit onto edge of door (Seal flap must be on inside of shower).

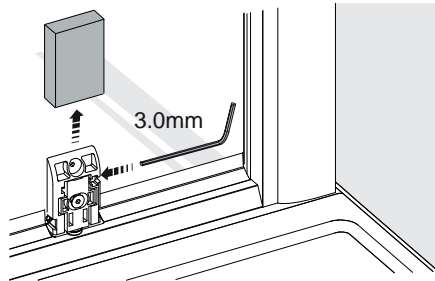


2.5 Hinge adjustment

- (a) Door glass position can be adjusted at the hinges.

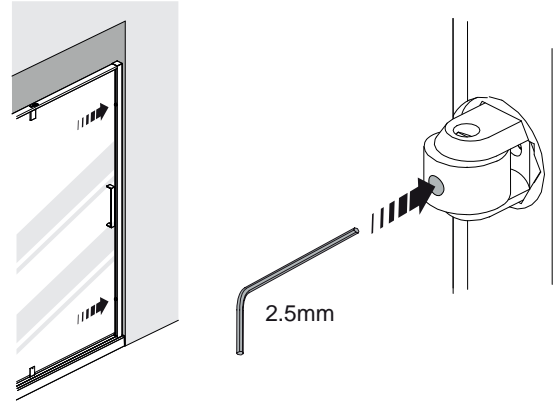


(b) To adjust hinge slide off hinge cover and turn screw located in the hinge with allen key.



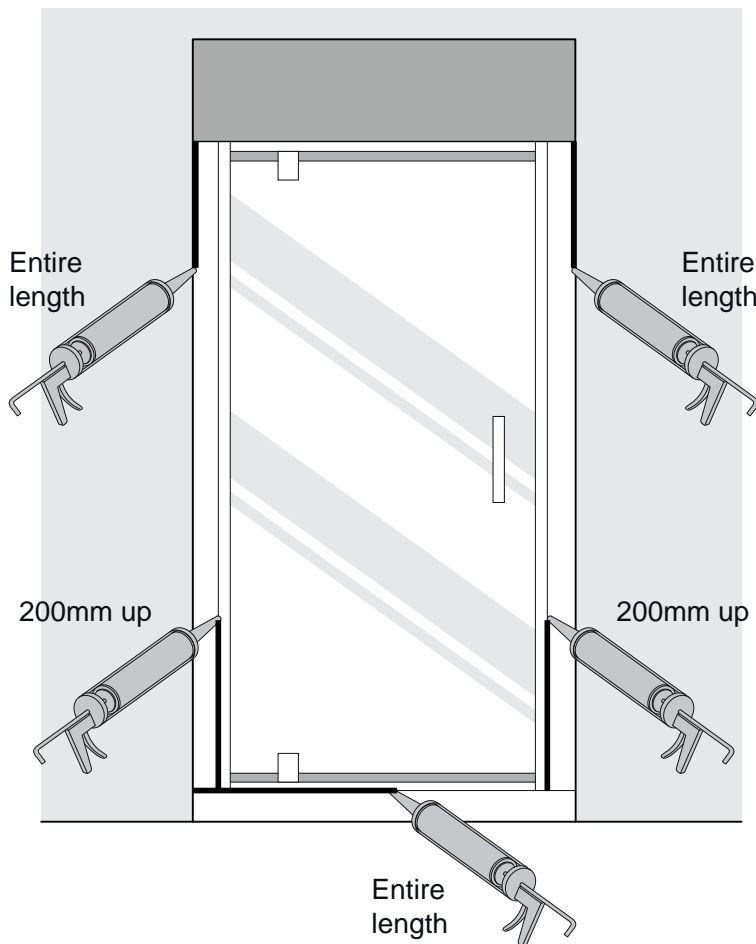
2.6 Door roller Catch adjustment

(a) Adjust catch force by turning screw through roller with allen key.

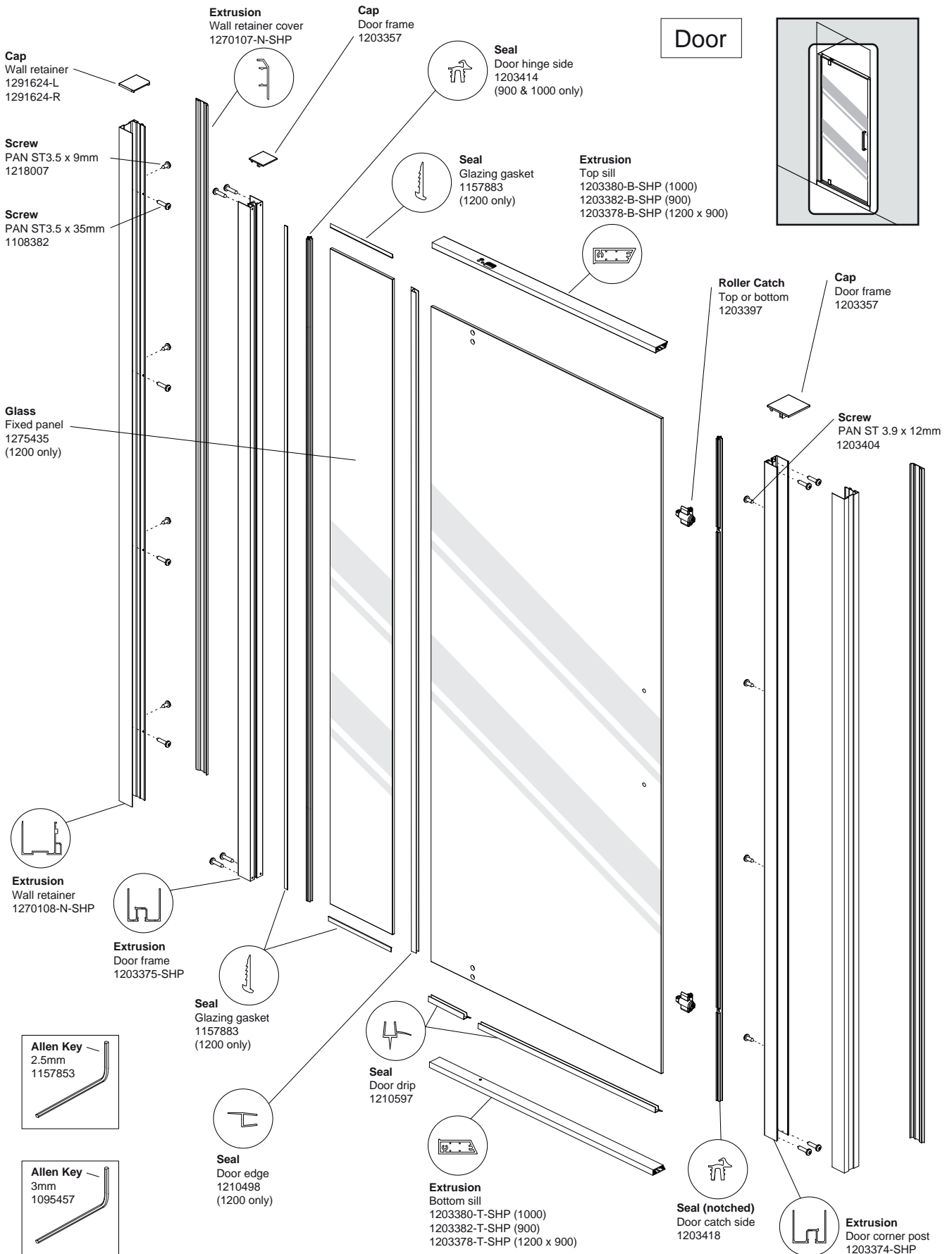


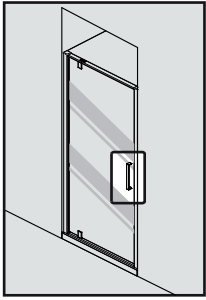
2.7 Shower Sealing

(a) Apply sealant (supplied) in accordance with the sealant manufacturers instructions along the outside surfaces of the door frame only. Allow the sealant to cure for 24 hours before use.



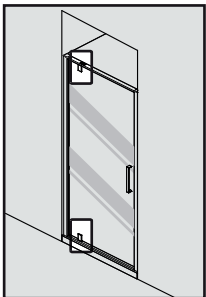
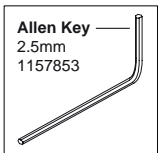
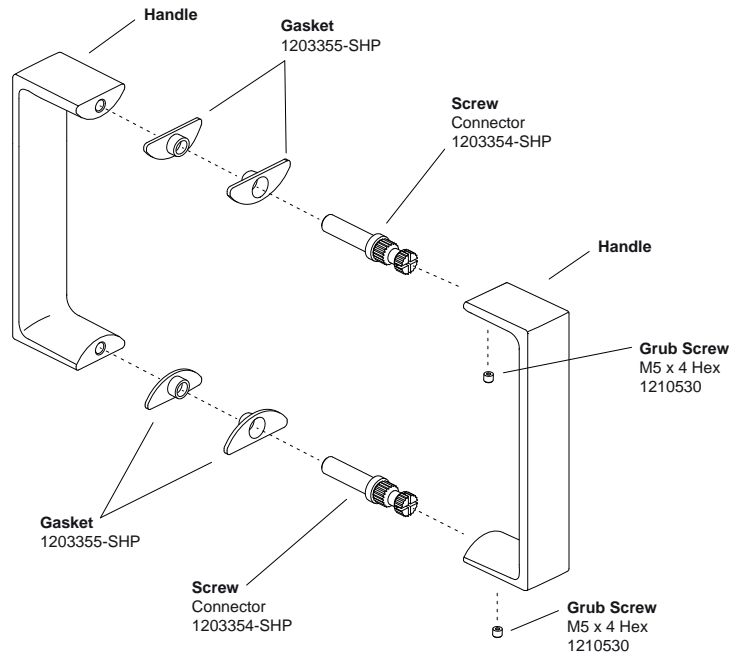
SPARE PARTS



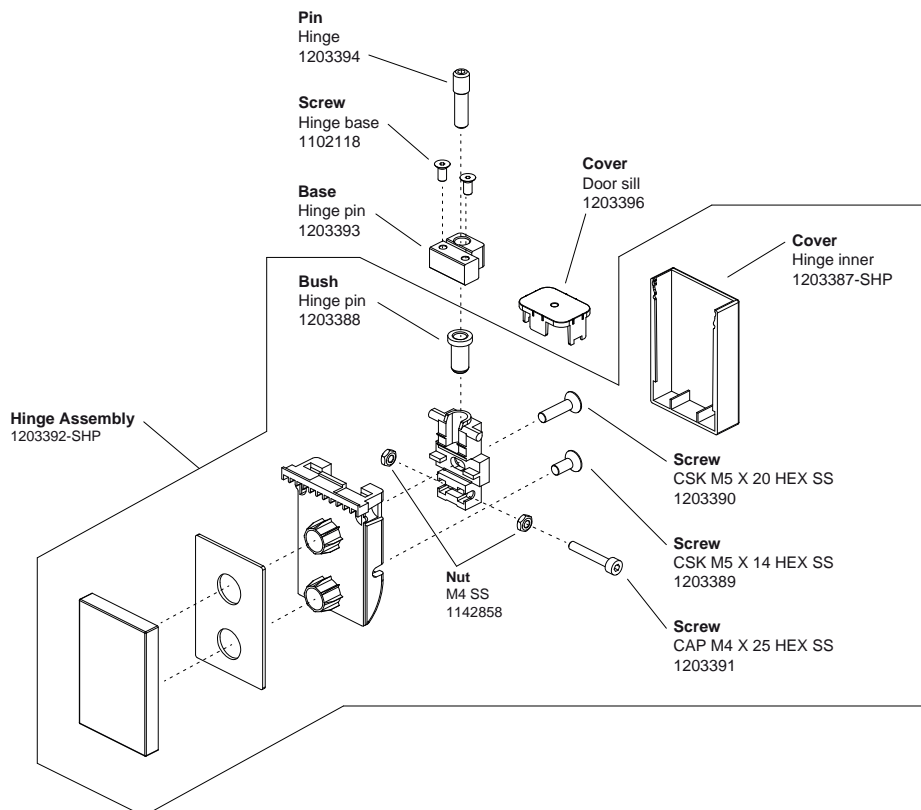


Handle

- Assembly with Dual handles
1210600-SHP



Hinges



CLEANING AND MAINTENANCE INSTRUCTIONS

Please refer to the Home Owner's Guide for cleaning instructions.

CONTACT AND WARRANTY INFORMATION

- For contact information, please refer to the Home Owner's Guide.
- For warranty and other information, please visit our website.

NEW ZEALAND
KOHLER NZ LTD

www.engefield.co.nz

AUSTRALIA
KOHLER CO.

www.engefield.com

