

# INSTALLATION INSTRUCTIONS



## SHOWER

## MILANO™ Square



Englefield has a history of making superb showers and their popularity is testament to their quality and affordability.

It's the details that Englefield cares about - from pioneering the latest technology, to innovative design, it's all to make your showering experience the very best it can be.



Note: Tapware not included.

## BEFORE YOU BEGIN

Before installing the shower please read these instructions carefully to familiarise yourself with the required tools, materials and installation sequences. Please leave these instructions for the consumer after installation. Refer to the separate care and maintenance guide for important care and cleaning information.

Ensure that the shower tray and wall, if applicable, are completely finished prior to installing your shower door and return. Follow all warnings, cautions and instructions contained in this guide.



### SAFETY

1. ENGLEFIELD strongly recommends that a minimum of TWO persons install this enclosure due to the weight of the door panels.
2. Toughened safety glass cannot be cut. Risk of injury or product damage.
3. Wear protective footwear when lifting panels.
4. Wear safety glasses when drilling.



### ATTENTION

1. The wall retainers must be installed onto a waterproof, vertical and flat wall surface. Failure to do so will result in an unsatisfactory seal, which may cause property damage. The wall inclination (out of squareness) is recommended to be out by no more than **+/- 4mm/m**.
2. Please install this door onto an ENGLEFIELD Quick - Fit® Low Profile shower tray only, unless installing directly onto tiled walls and floor.
3. Care must be taken when drilling into walls and floors to avoid any hidden pipes or wires.
4. It is the responsibility of the INSTALLER to ensure that the installation complies with council and or local authority bylaws.

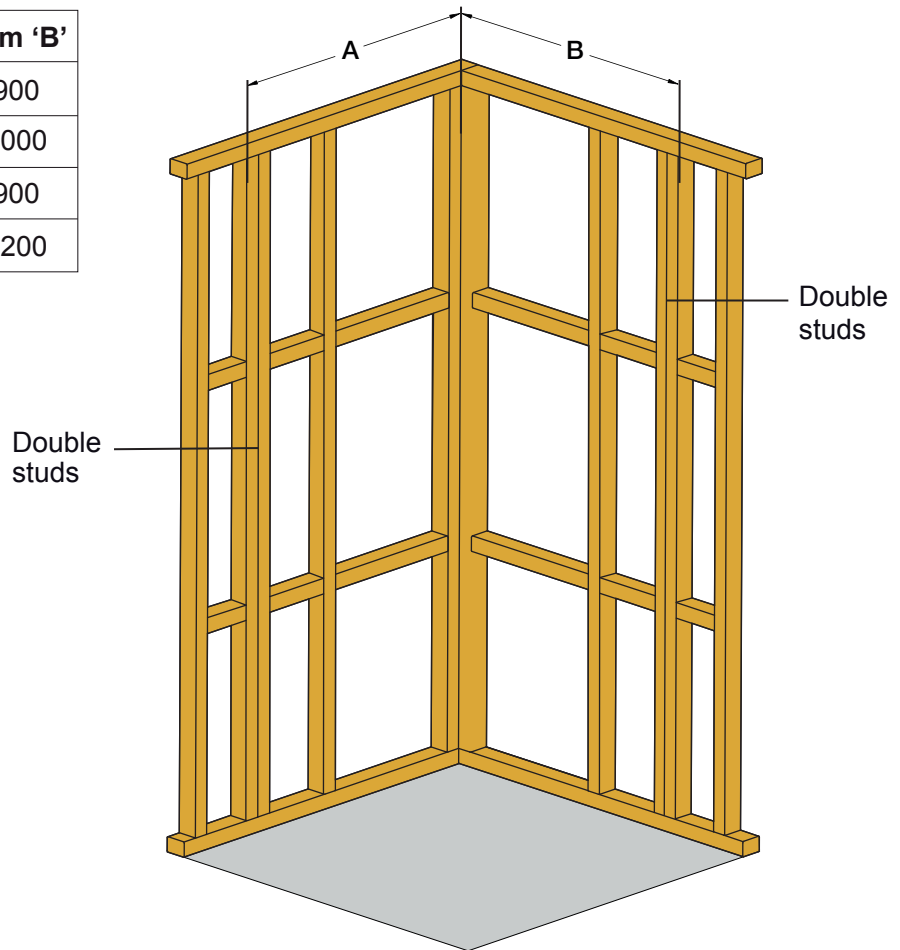
CONSTRUCTION REQUIREMENTS



**ATTENTION**

Due to the weight of the glass panels Englefield strongly recommends constructing double studs (as below) to fix the wall retainers to.

Size	Dim 'A'	Dim 'B'
900 x 900	900	900
1000 x 1000	1000	1000
1200 x 900 LH	1200	900
1200 x 900 RH	900	1200

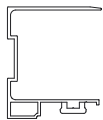
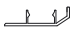
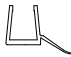

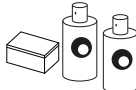
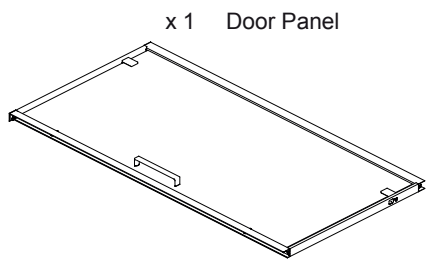


TOOLS AND MATERIALS REQUIRED

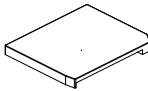
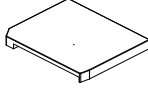
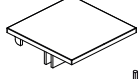




			Supplied 	Supplied 	
N0. 1 Square	Phillips	3.0 mm	2.5 mm	3.0 mm	

PARTS IDENTIFICATION

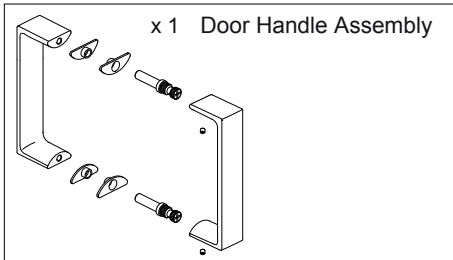

Door Pack

-  x 1 Extrusion - Door wall retainer
-  x 1 Extrusion - Wall retainer cover
-  x 1 Extrusion - Door drip seal
-  x 1 Extrusion - Door edge seal (1200 x 900 only)
-  x 1 Glass Aftercare pack
-  x 1 Door Panel

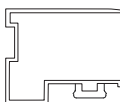
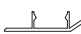
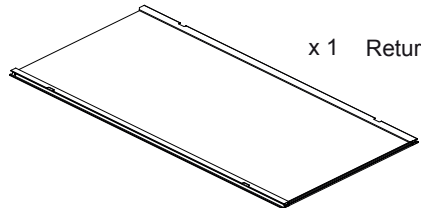
Hardware Pack

-  x 1 Cover - Door wall retainer (LH)
-  x 1 Cover - Door wall retainer (RH)
-  x 2 Cover - Door extrusion
-  x 1 Allen key - 3mm
-  x 4 PAN screw - ST 3.5 x 35mm
-  x 4 PAN screw - ST 3.9 x 12mm
-  x 4 PAN screw - ST 3.5 x 9mm

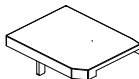
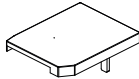
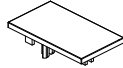


Door Handle Pack

-  x 1 Door Handle Assembly
-  x 1 Allen key - 2.5mm

Return Pack

-  x 1 Extrusion - Return wall retainer
-  x 1 Extrusion - Wall retainer cover
-  x 1 Return Panel

Hardware Pack

-  x 1 Cover - Return wall retainer (LH)
-  x 1 Cover - Return wall retainer (RH)
-  x 1 Cover - Return extrusion
-  x 4 PAN screw - ST 3.5 x 35mm
-  x 4 PAN screw - ST 3.5 x 9mm

## 1 - INSTALLATION - Options

### OPTION 1

Acrylic Wall & Tray



### OPTION 2

Tiled Wall & Acrylic Tray



### OPTION 3

Tiled Wall & Floor



#### OPTION 1 - Acrylic Wall & Tray

**Tray:** For tray installation refer to the instructions supplied with the tray.

**Wall:** For wall installation refer to the instructions supplied with the wall.

- Proceed to Section 2 - Door and return installation.

#### OPTION 2 - Tiled Wall & Acrylic Tray

**Tray:** For tray installation please refer to the instructions supplied with the tray.

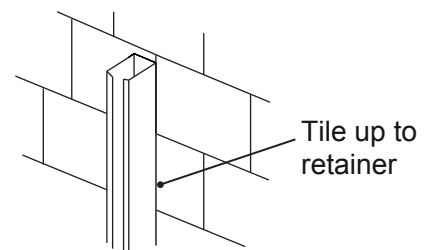
#### Wall:

- The vertical wall retainers **MUST** be installed onto the waterproof membrane **PRIOR TO WALL TILING**. If possible the complete door system should be installed onto the waterproof membrane prior to wall tiling.

**CAUTION:** Failure to install the wall retainers first may mean the door system may not fit on the shower tray due to the tile thickness.

- If not installing the complete door system prior to tiling, install the wall retainers and tiles. The retainer cover extrusion can be inserted after tiling - there is no need to leave a tiling gap. Refer to image.

- Proceed to Section 2 - Door and return installation.



#### OPTION 3 - Tiled Wall & Floor

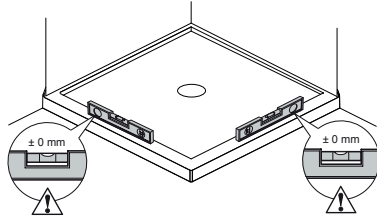
- The door and return can be installed directly onto the wall and floor tiles.

- Proceed to Section 2 - Door and return installation.

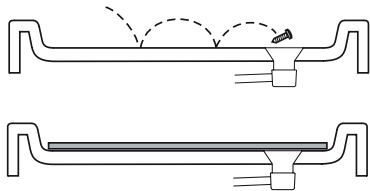
2 - INSTALLATION



**Caution:** Ensure tray or tiled floor is level & walls are vertical & square.



**Tip:** Cover the waste to prevent the loss of small parts. If installing onto a tray protect the tray surface during installation.

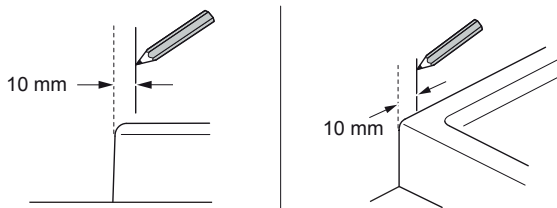


2.1 Wall Retainers

(a) Mark the locations of the wall retainers.

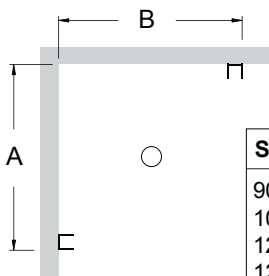
**For tray base option:**

- Mark 10mm in from top edge of tray.



**For tiled base option:**

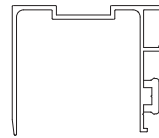
- Mark from finished wall to outer edge of retainer.



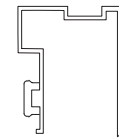
Size	A	B
900 x 900	875	875
1000 x 1000	975	975
1200 x 900 LH	1175	875
1200 x 900 RH	875	1175

(b) This shower is reversible. Please choose which side you would like the door to be on and install wall retainers accordingly.

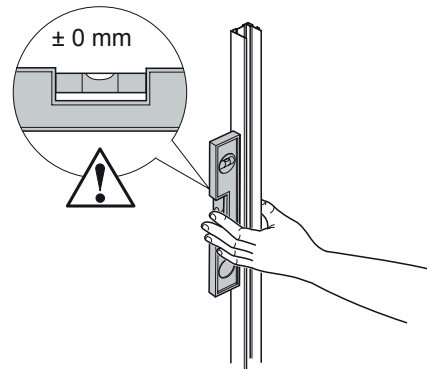
Door wall retainer



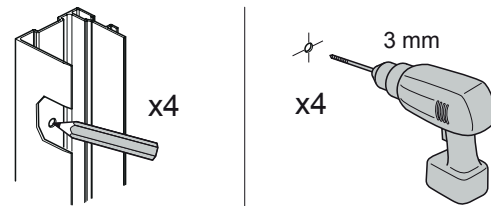
Return wall retainer



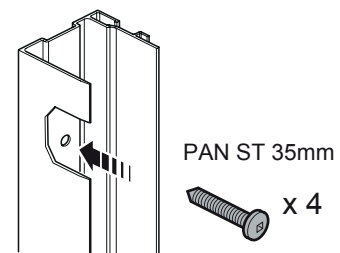
(c) Position a wall retainer on a wall with flat side facing outwards. Use a level to make sure it is upright. (This is critical to ensure correct operation of the door).



(d) Mark position of fixing holes, then remove wall retainer and drill holes using an appropriate 3mm drill bit (not supplied).

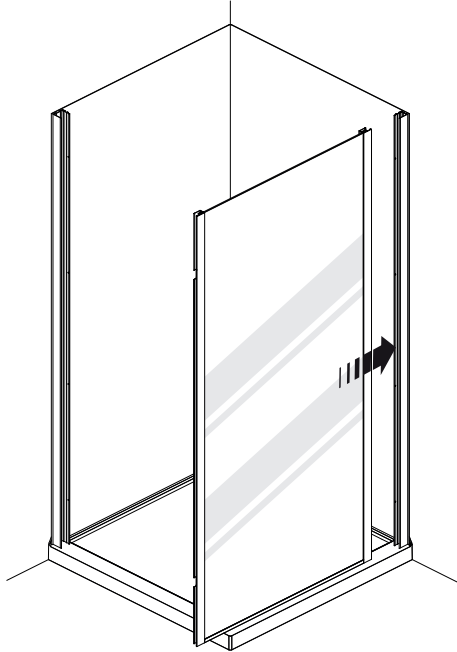


(e) Fix wall retainer to wall using 4 screws (supplied).



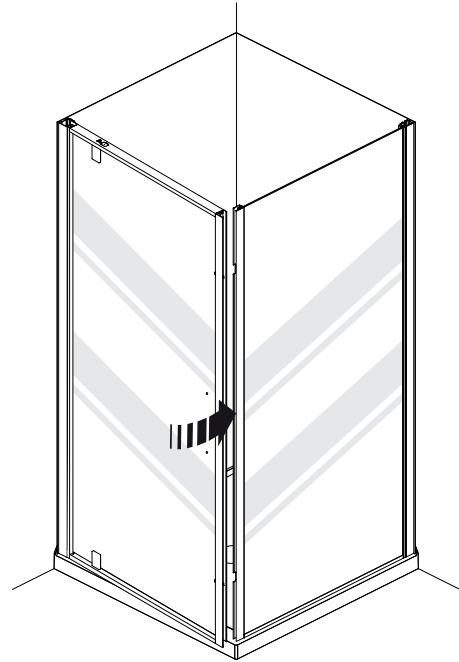
**2.2 Return**

(a) Slot return panel into wall retainer and hold in position (Check orientation. Make sure horizontal aluminium extrusion is at the bottom and glazing gasket is on the inside).



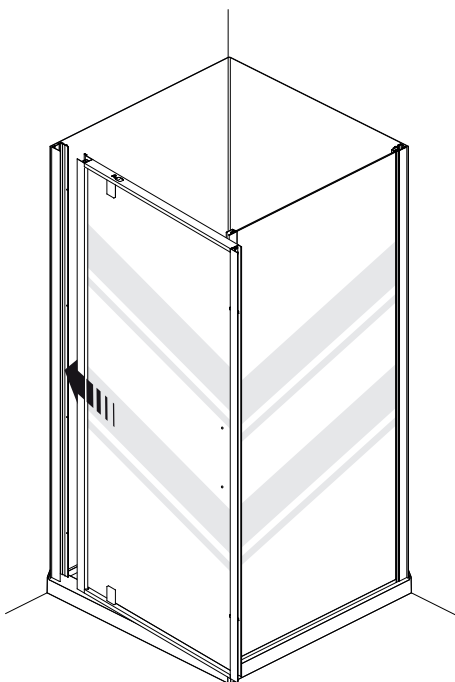
(b) Swing door frame towards return and carefully click door corner post into return corner post (Make sure there is no gap where posts join and that post tops are flush with each other).

Refer to post profiles below:

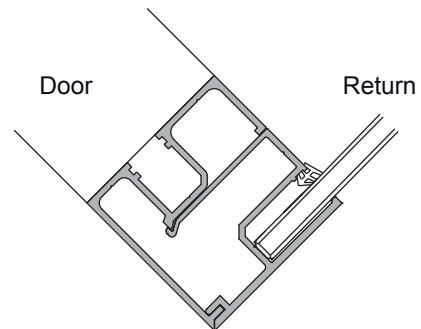


**2.3 Door**

(a) Slot door frame into wall retainer. (Check orientation. Make sure handle holes are on return side).

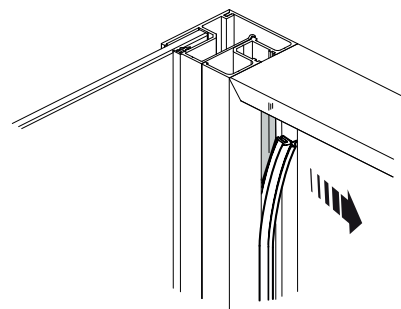


Post profiles:

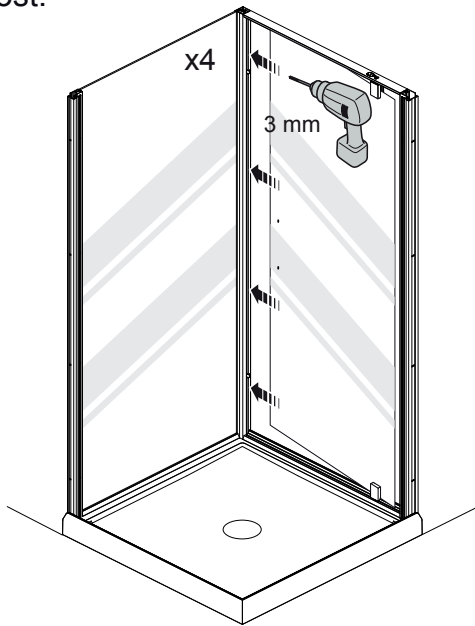


**2.4 Frame Fixing - Corner Posts**

(a) Remove corner post seal.

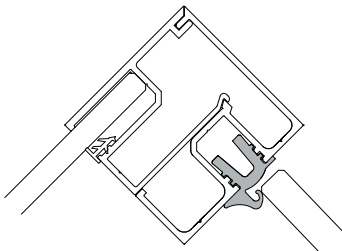


(b) Firmly hold corner posts together and drill 4 x 3mm holes in return corner post through pre-drilled holes in door corner post.



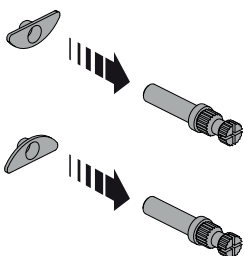
(c) While holding corner posts together fix posts with 4 x PAN ST 12mm screws (supplied).

(d) Re-install seal into extrusion ensuring seal is fully engaged along full length. Lubricating seal with soapy water will help with installation.

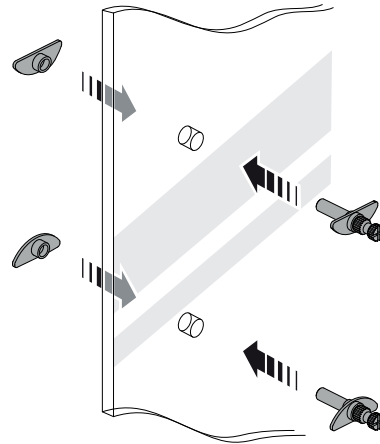


## 2.5 Door Handle

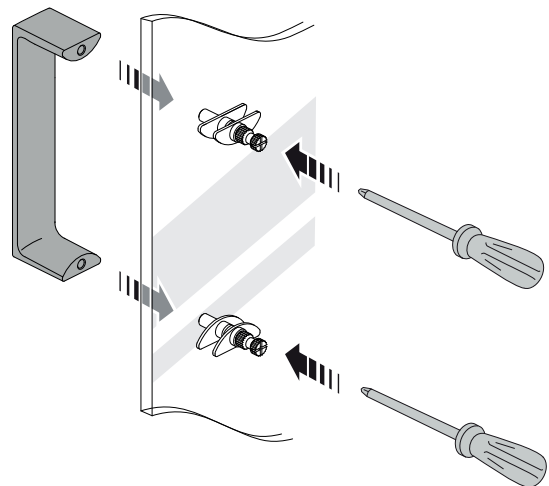
(a) Place a clear plastic washer onto threaded side of each spline. Note orientation.



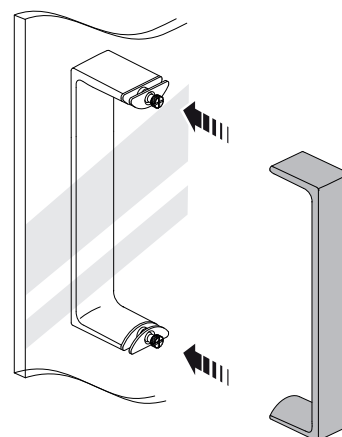
(b) Insert splines into holes in glass door from inside of shower and place a second clear plastic washer onto each spline. Note orientation.



(c) Screw splines tightly into handle.

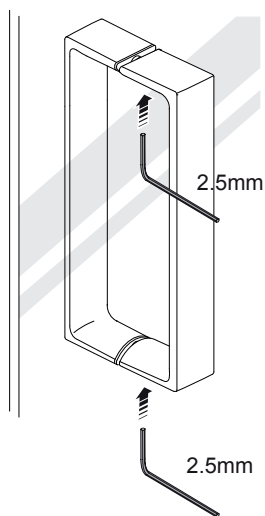


(d) Slide complementary handle onto splines. Grub screw holes must face down. Note orientation.

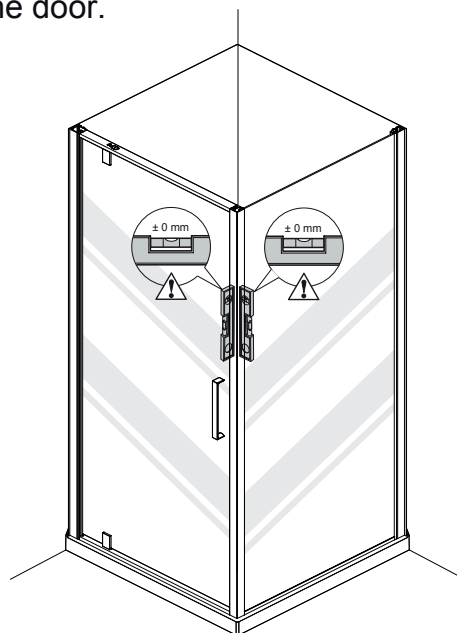




(e) Insert and tighten handle grub screws using hex key (supplied).

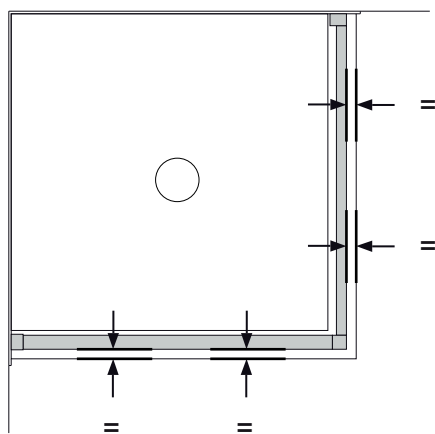


(b) Ensure corner post faces are plumb and vertical. Adjust panel engagement in wall retainers as necessary. This step is critical to ensure correct operation of the door.

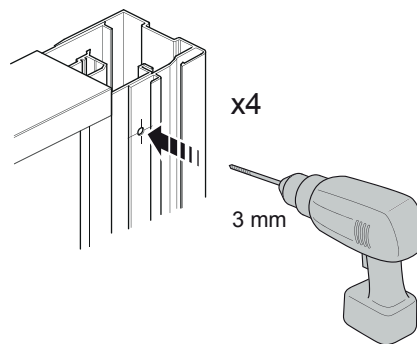


**2.5 Frame Fixing - Wall Retainers**

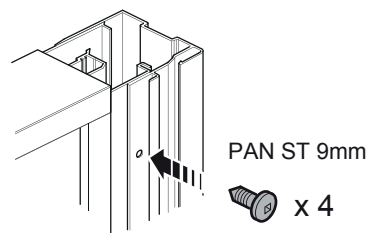
(a) Ensure distance from edge of tray to frame extrusions is equal.



(c) Drill 4 x 3mm holes from inside shower enclosure in door extrusion through pre-drilled holes in wall retainer.



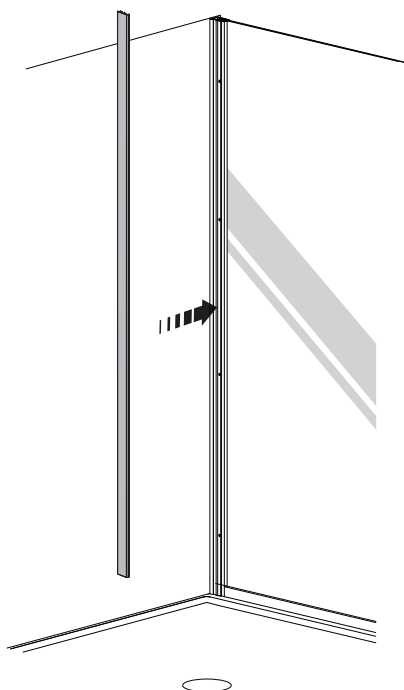
(d) Fix extrusion to wall retainer with pan screws (supplied).



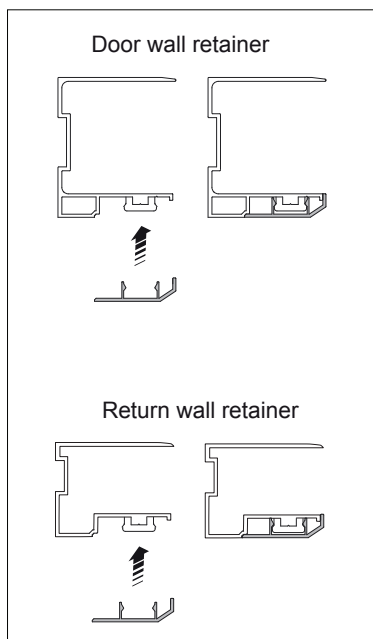
(e) Repeat steps (c) and (d) for other wall retainer.

**2.6 Covers & Caps**

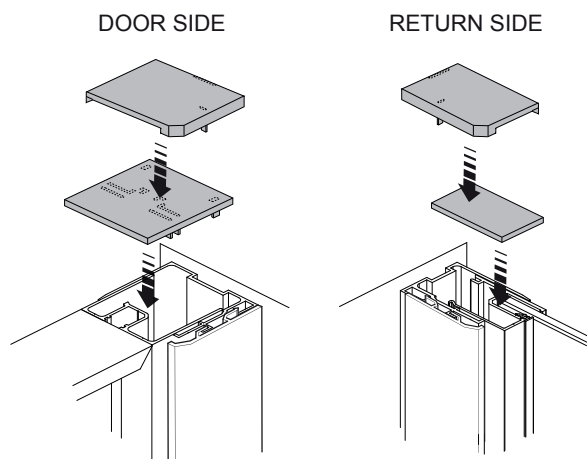
(a) Install retainer cover panel on wall retainer. Place cover against retainer, then firmly push inwards over clip to secure in position.  
 If necessary place a piece of wood against the cover and tap gently with a soft hammer.  
 Repeat for other retainer cover panel.



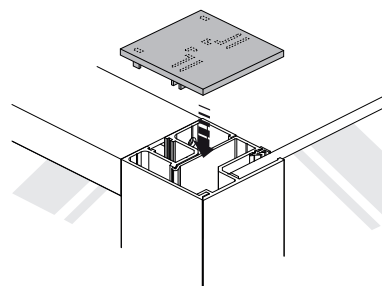
Profile



(b) Place 2 caps on top of wall retainers. Left and right hand caps supplied to be used depending on your door orientation. Apply a small bead of silicone to secure if necessary.



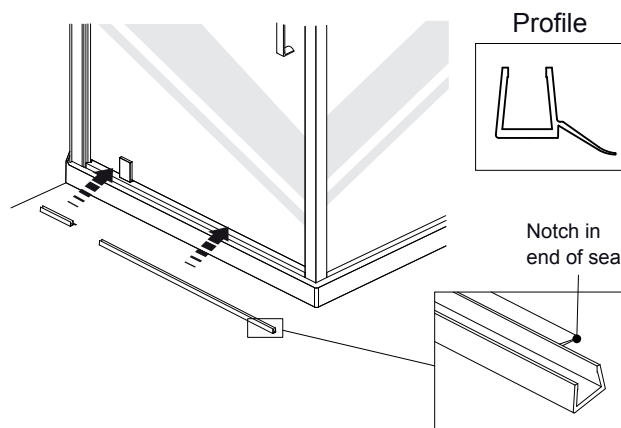
(c) Place cap on top of corner posts.



**2.7 Seal installation**

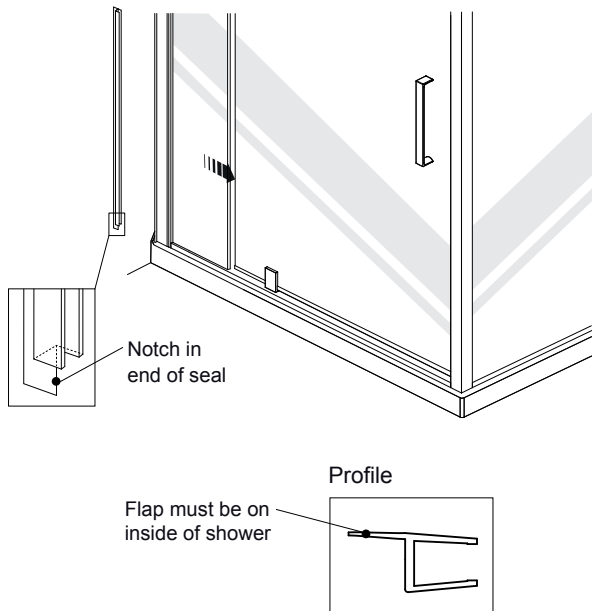
**2.7.1 Drip seals**

(a) Cut drip seal to length and press fit onto bottom of door on both sides of hinge. Ensure seals are flush with sides of hinge and edges of glass. Notch end of seal to allow space for vertical door seal.



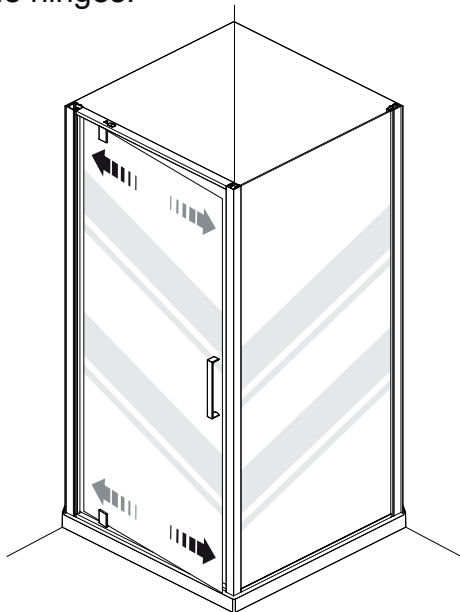
### 2.7.2 Door edge seal (1200 x 900 only)

- (a) Cut door edge seal to length and notch bottom end of seal to allow space for horizontal door seal. Press fit onto edge of door (Seal flap must be on inside of shower).

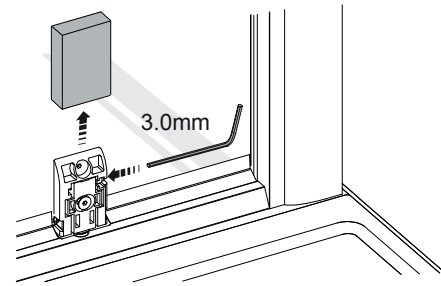


### 2.8 Hinge adjustment

- (a) Door glass position can be adjusted at the hinges.

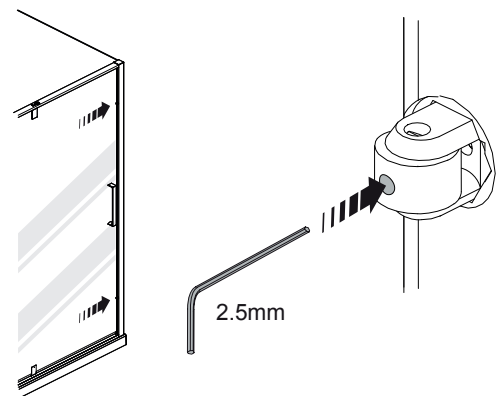


- (b) To adjust hinge slide off hinge cover and turn screw located in the hinge with allen key.



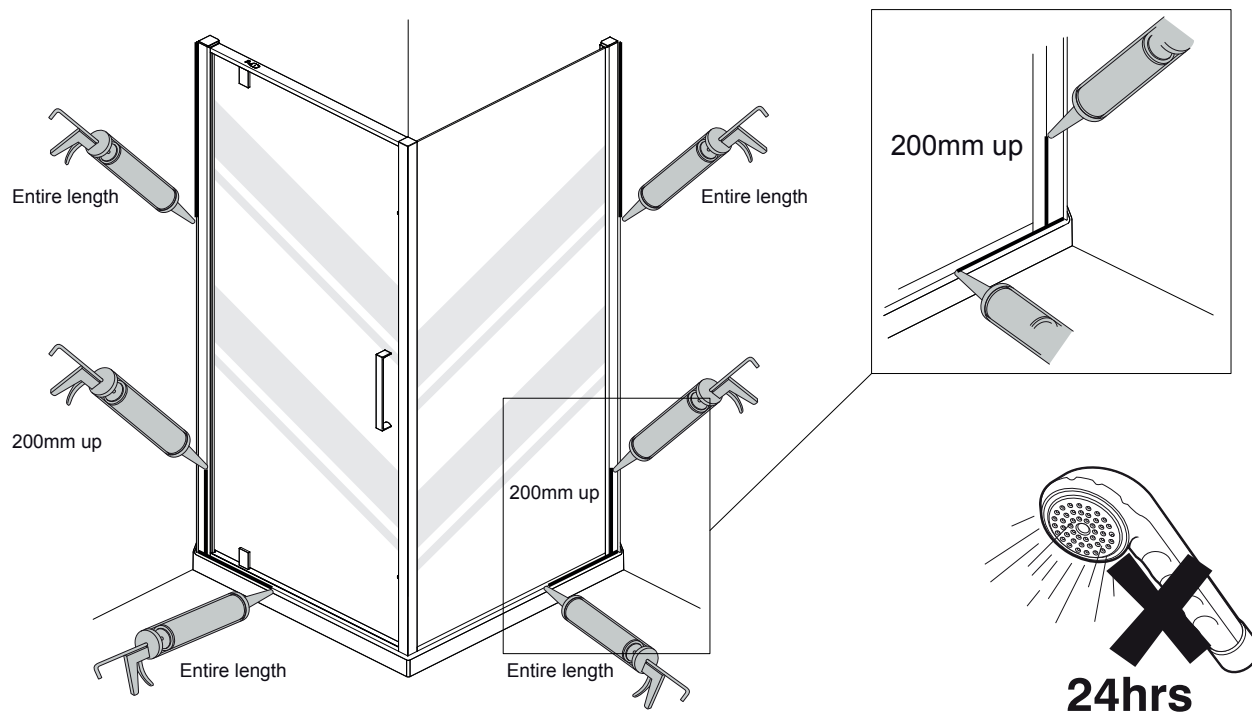
### 2.9 Door roller Catch adjustment

- (a) Adjust catch force by turning screw through roller with allen key.

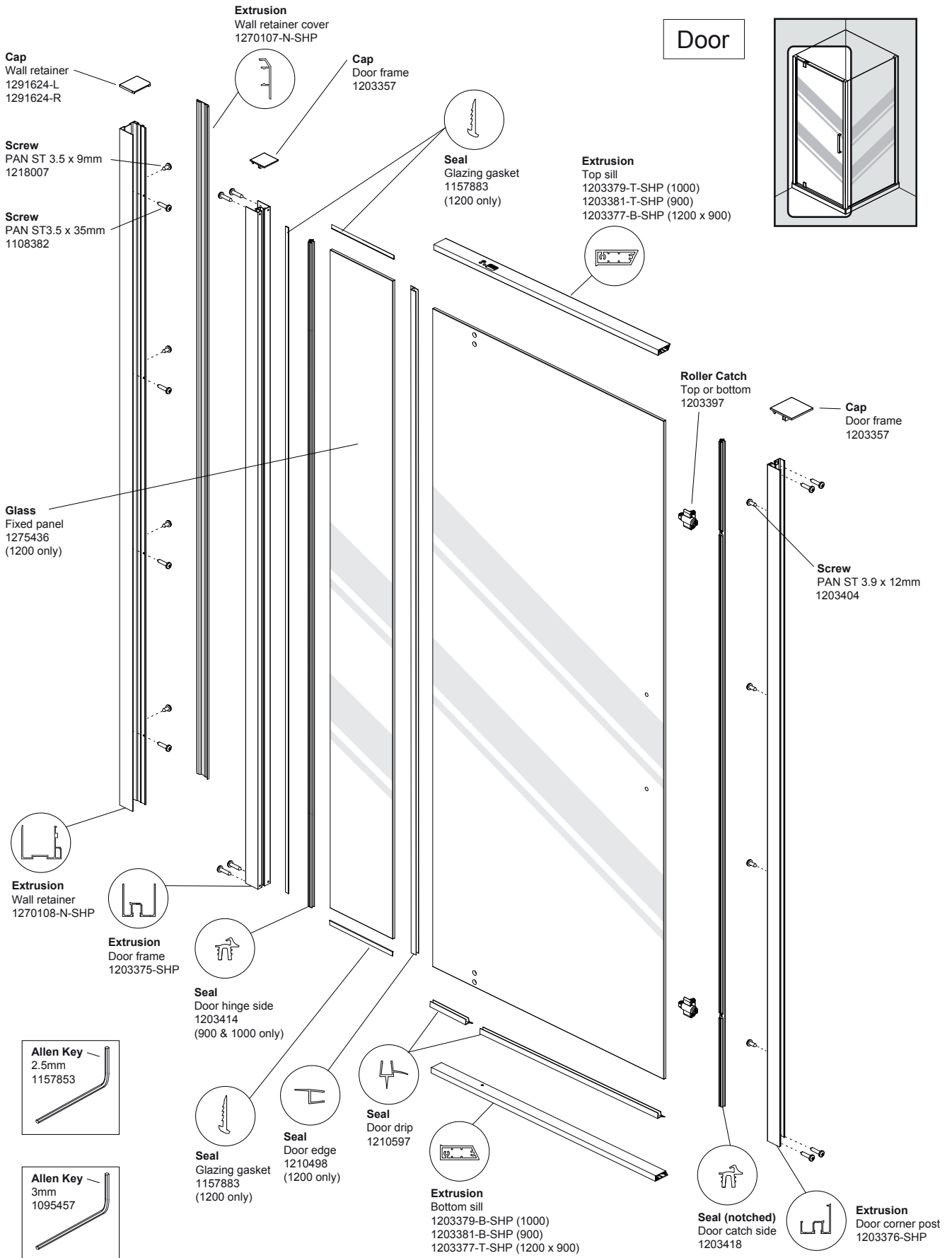


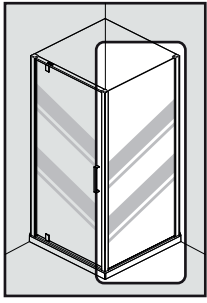
## 2.10 Shower Sealing

- (a) Apply sealant in accordance with the sealant manufacturers instructions along the outside surfaces of the door frame only. Allow the sealant to cure for 24 hours before use.

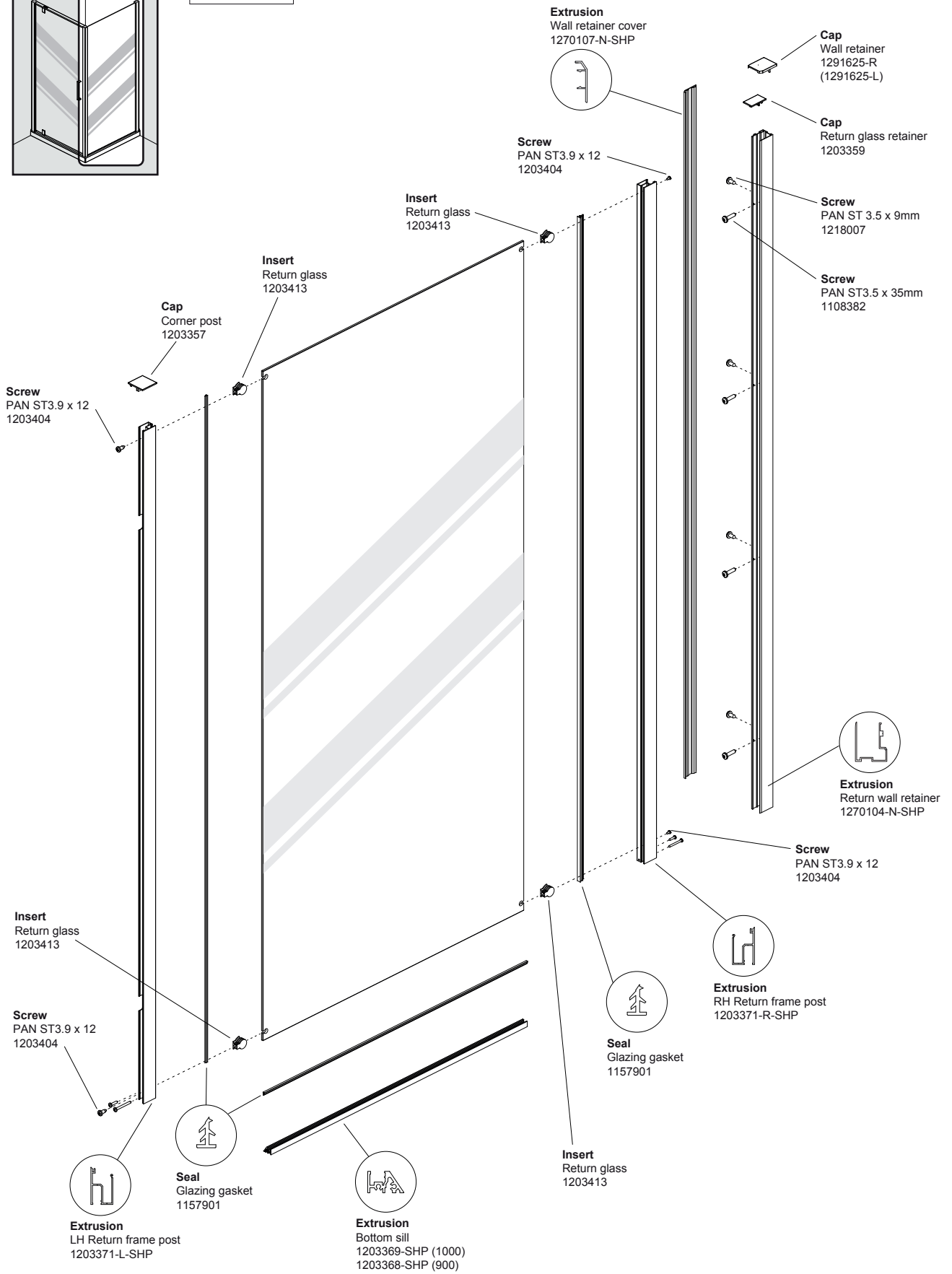


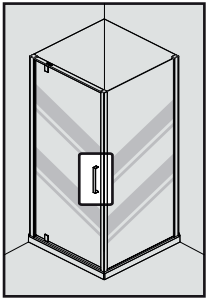
SPARE PARTS





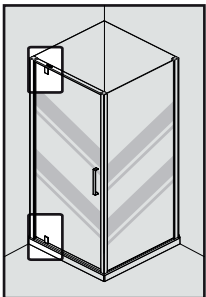
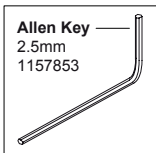
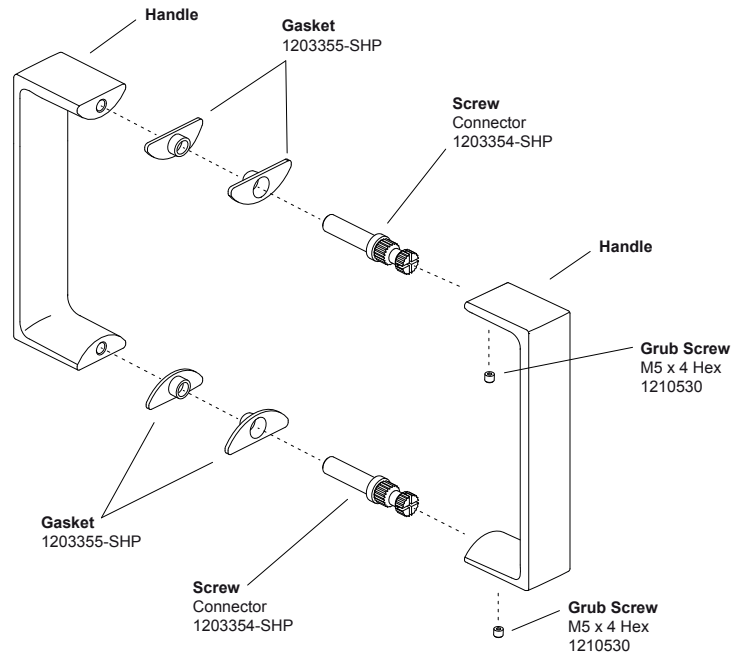
Return



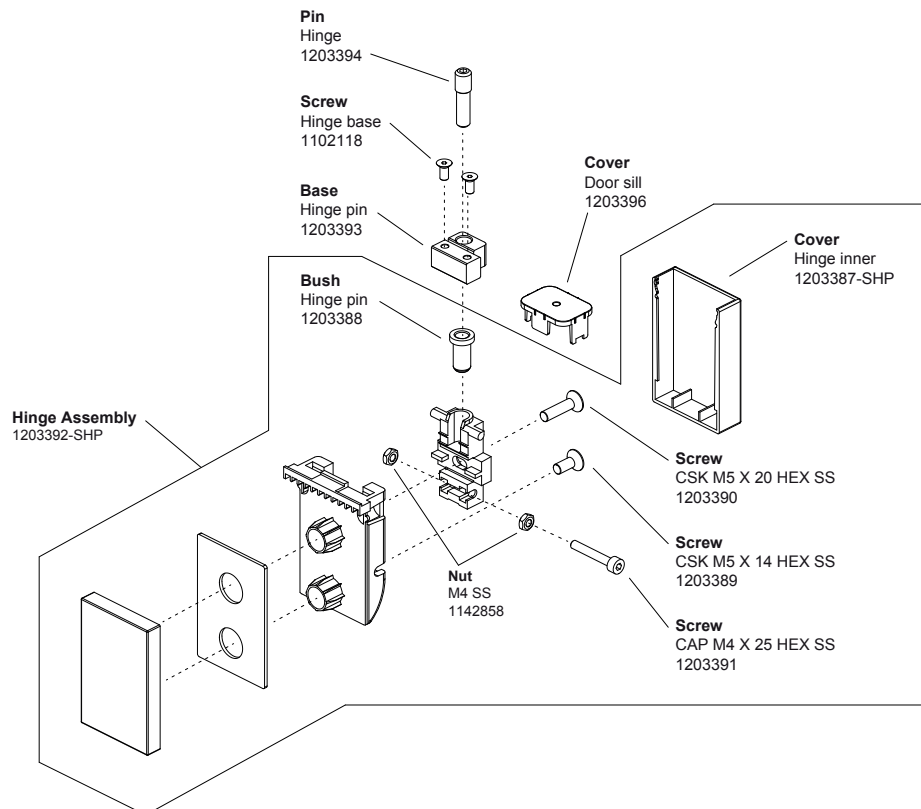


Handle

- Assembly with Dual handles  
1210600-SHP



Hinges



## CLEANING AND MAINTENANCE INSTRUCTIONS

Please refer to the Home Owner's Guide for cleaning instructions.

## CONTACT AND WARRANTY INFORMATION

- For contact information, please refer to the Home Owner's Guide.

- For warranty and other information, please visit our website.

**NEW ZEALAND**  
KOHLER NZ LTD

[www.engefield.co.nz](http://www.engefield.co.nz)

**AUSTRALIA**  
KOHLER CO.

[www.engefield.com](http://www.engefield.com)

