

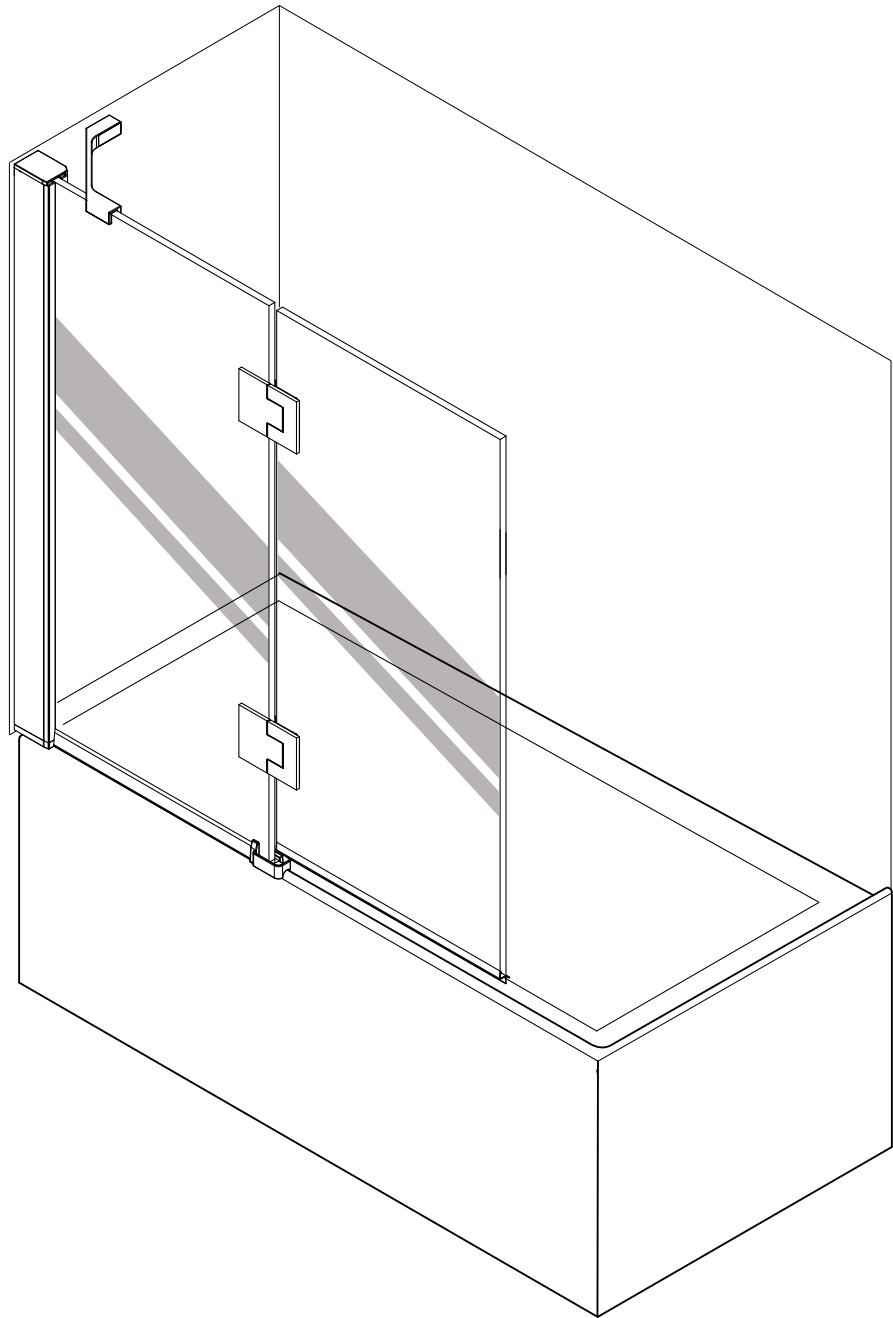
INSTALLATION INSTRUCTIONS



SHOWER

MILANO Split Bath Screen

23434A-SHP (8mm)
23435A-SHP (10mm)



Englefield has a history of making superb showers and their popularity is testament to their quality and affordability.

It's the details that Englefield cares about - from pioneering the latest technology, to innovative design, it's all to make your showering experience the very best it can be.

BEFORE YOU BEGIN

Before installing the bath screen please read these instructions carefully to familiarise yourself with the required tools, materials and installation sequences. Please leave these instructions for the consumer after installation. Refer to the separate care and maintenance guide for important care and cleaning information.

Ensure that the ENGLEFIELD Duracryl® wall is accurately installed prior to installing the bath screen. There should be a minimum of 1500mm of wall liner above the upstand.

If the wall is to be an alternative product (e.g: tiled), ensure it is completely installed prior to proceeding with the bath screen installation. Follow all warnings, cautions & instructions contained in this guide.



SAFETY

1. ENGLEFIELD strongly recommends that a minimum of TWO persons install this enclosure due to the weight of the glass panels.
2. Toughened safety glass cannot be cut. Risk of injury or product damage.
3. Wear protective footwear when lifting panels.
4. Wear safety glasses when drilling.

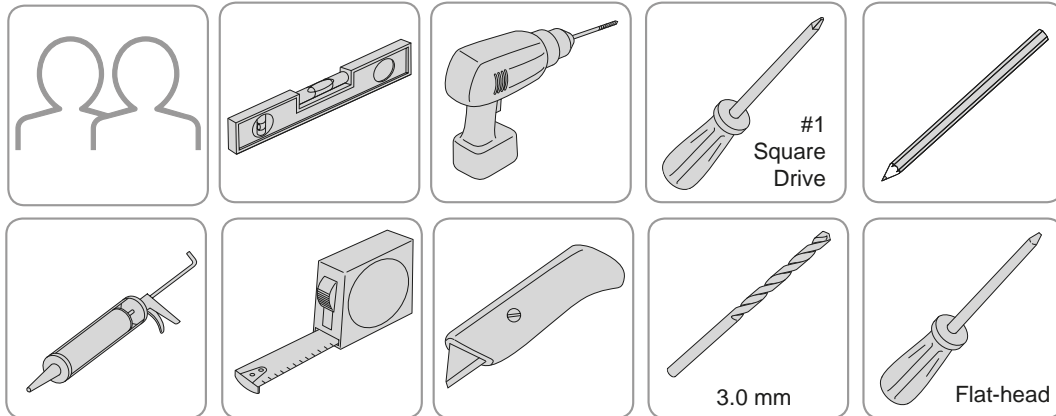


ATTENTION

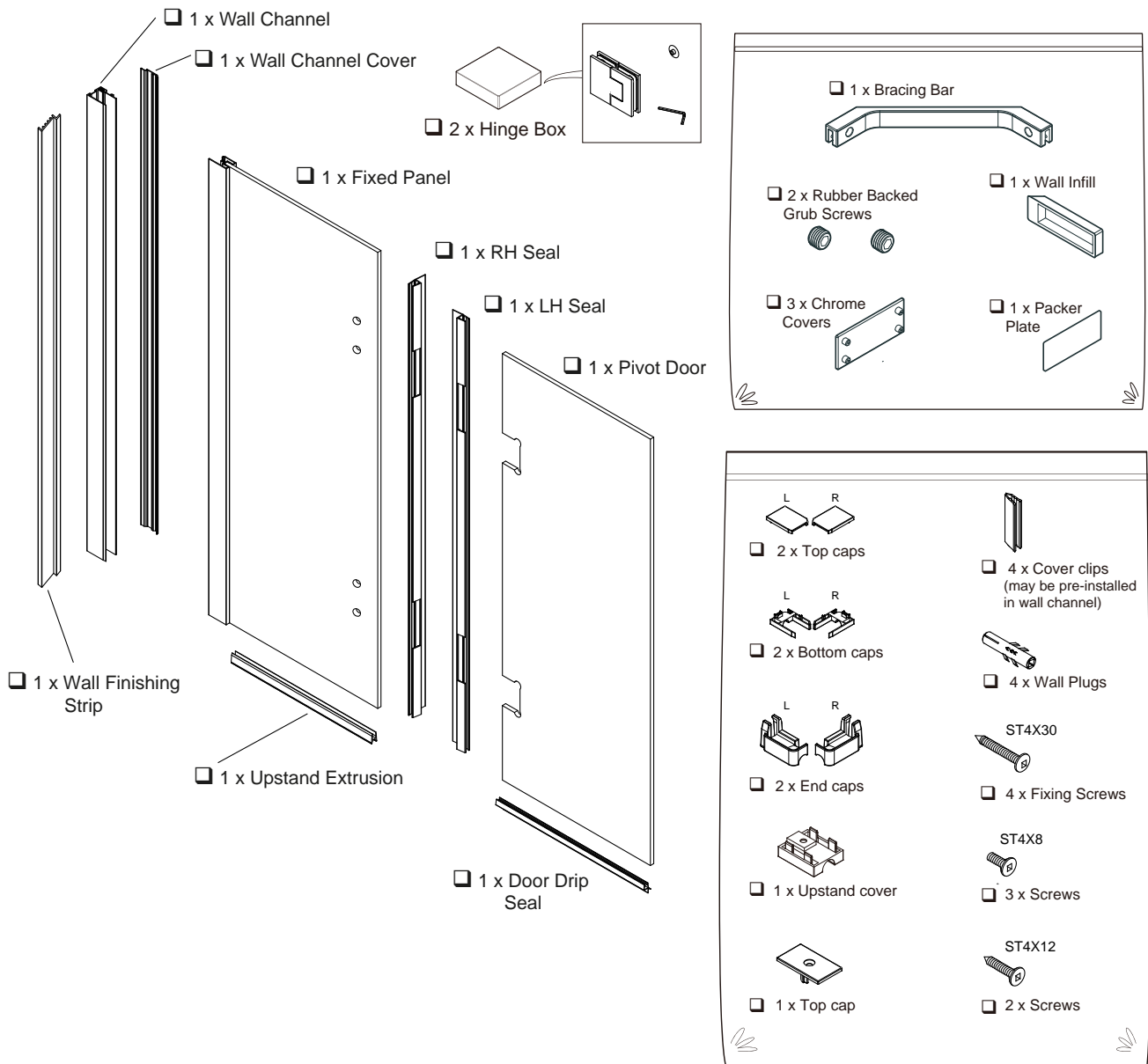
1. The wall retainer must be installed onto a waterproof, vertical and flat wall surface. Failure to do so will result in an unsatisfactory seal, which may cause property damage. The wall inclination (out of squareness) is recommended to be out by no more than **+/- 4mm/m**.
2. Please install this bath screen onto an ENGLEFIELD bath with upstand. It is designed to fit both our 12.5mm and 25mm upstands. For bath installation, please follow the instructions provided with bath.
3. Care must be taken when drilling into walls and floors to avoid any hidden pipes or wires.
4. It is the responsibility of the INSTALLER to ensure that the installation complies with council and or local authority bylaws.

Instructions, drawings, and diagrams contained in this manual present information available at the time of printing. Although every attempt has been made to keep them up-to-date, Englefield reserves the right to implement product changes without further notice.

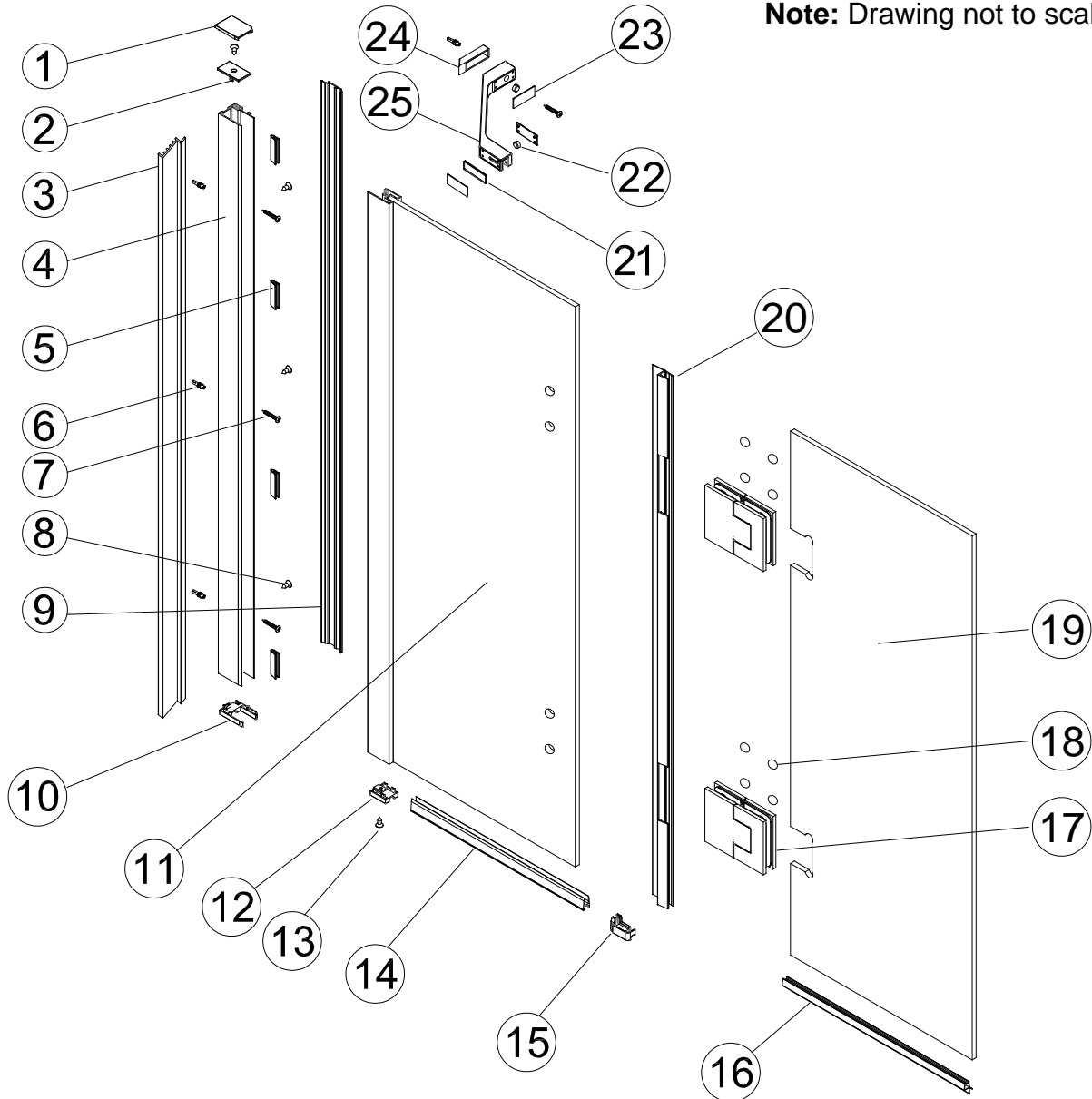
TOOLS AND MATERIALS REQUIRED



PARTS IDENTIFICATION



Note: Drawing not to scale



① x2 L R	② x1	③ x1	④ x1	⑤ x4	⑥ x4	⑦ x4 ST4X30	⑧ x3 ST4X8
⑨ x1	⑩ x2 L R	⑪ x1	⑫ x1	⑬ x2 ST4X12	⑭ x1	⑮ x2 L R	⑯ x1
⑰ x2	⑱ x8	⑲ x1	⑳ x2 R L	㉑ x1	㉒ x2 M10X5	㉓ x3	㉔ x1
			㉕ x1	㉖ x1 4mm			

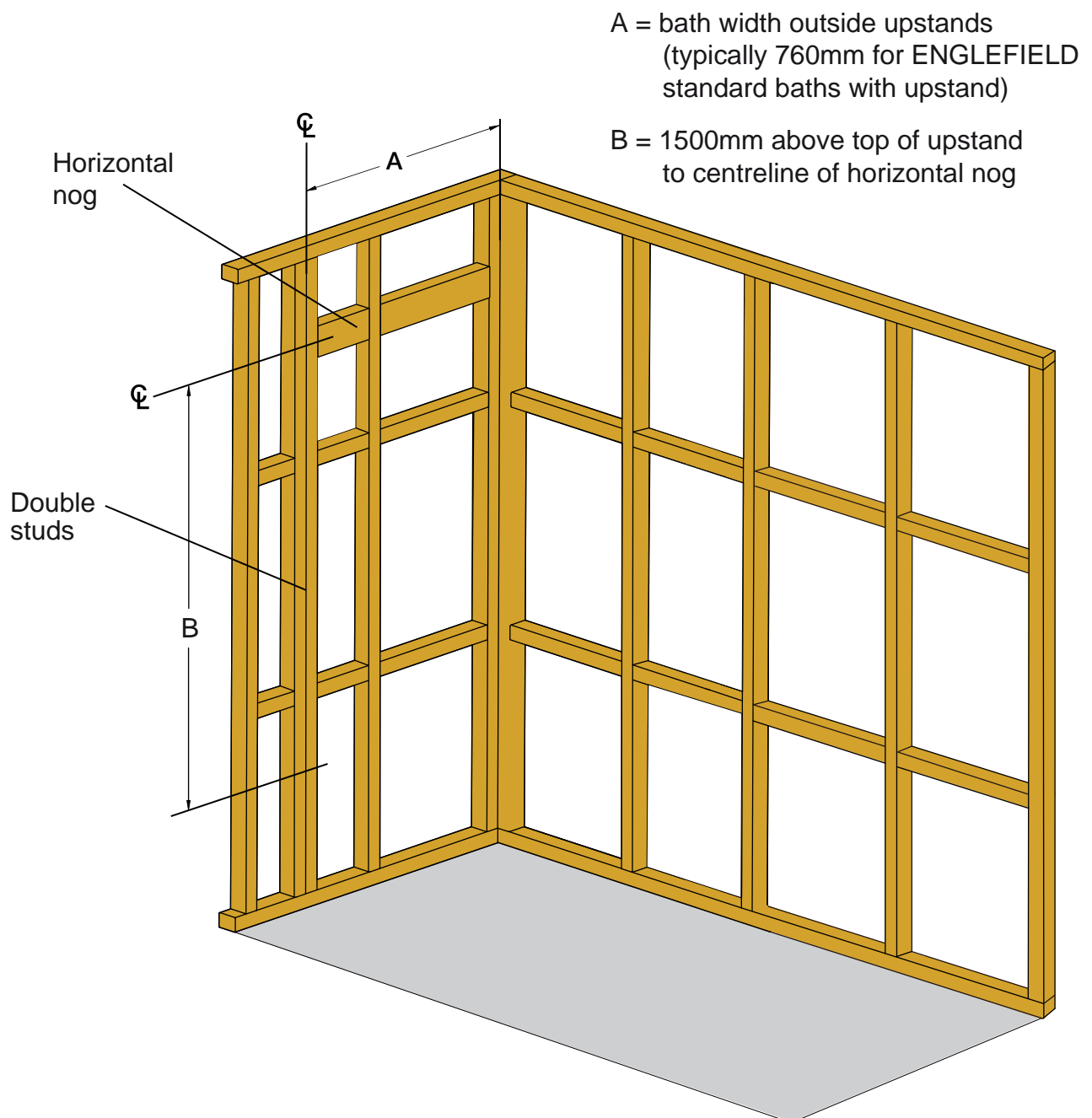
CONSTRUCTION REQUIREMENTS

**ATTENTION**

Due to the weight of the glass panels Englefield strongly recommends constructing double studs (as below) to fix the wall retainer to.

Additionally, a horizontal nog must be constructed as shown to fix the brace to.

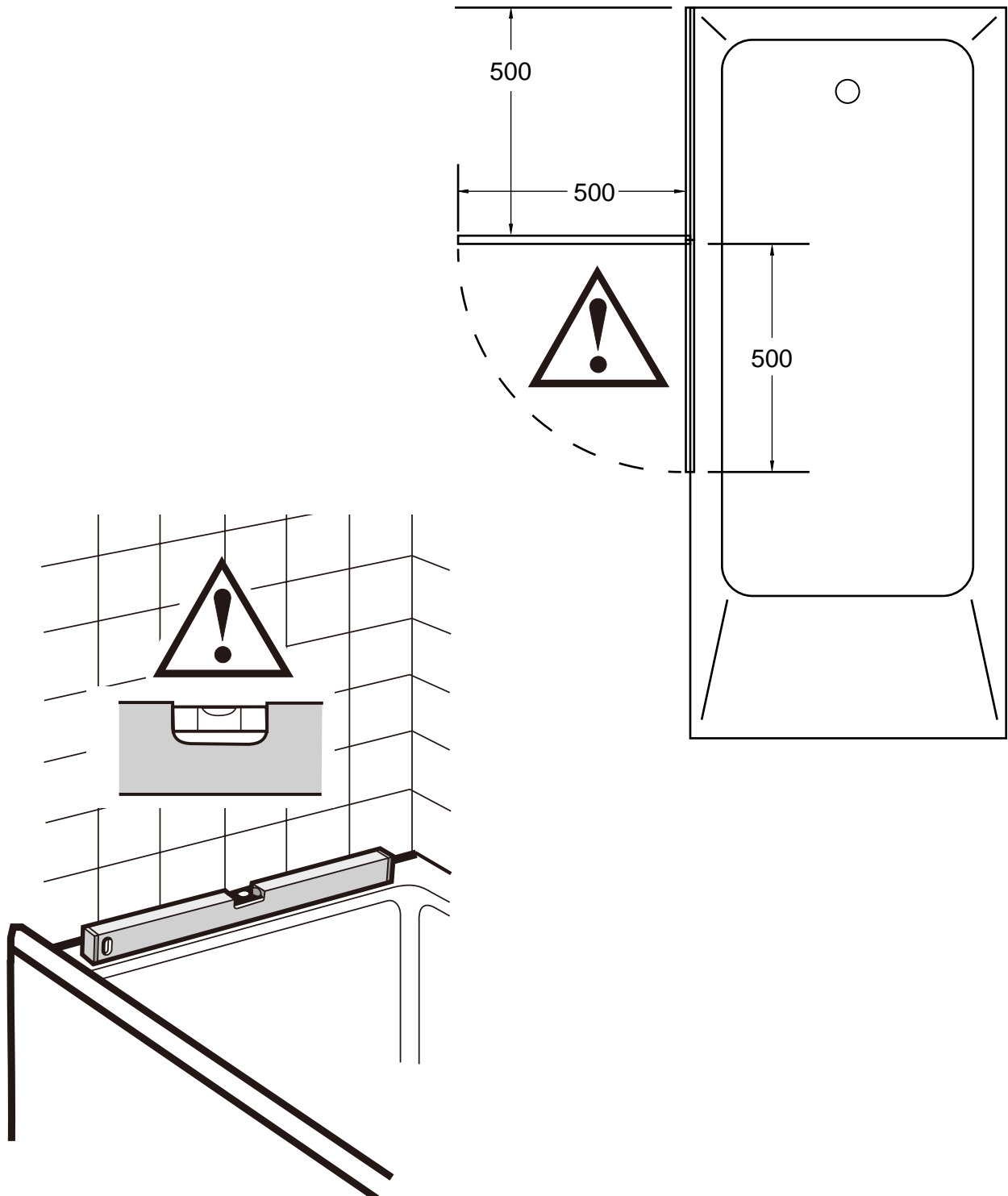
Every bath is different, please take measurements from the product before proceeding with wall construction.



INSTALLATION

1

- a) Ensure bath is securely installed and level. Ensure that walls are vertical & square.
- b) Ensure bath door operation will not be obstructed.

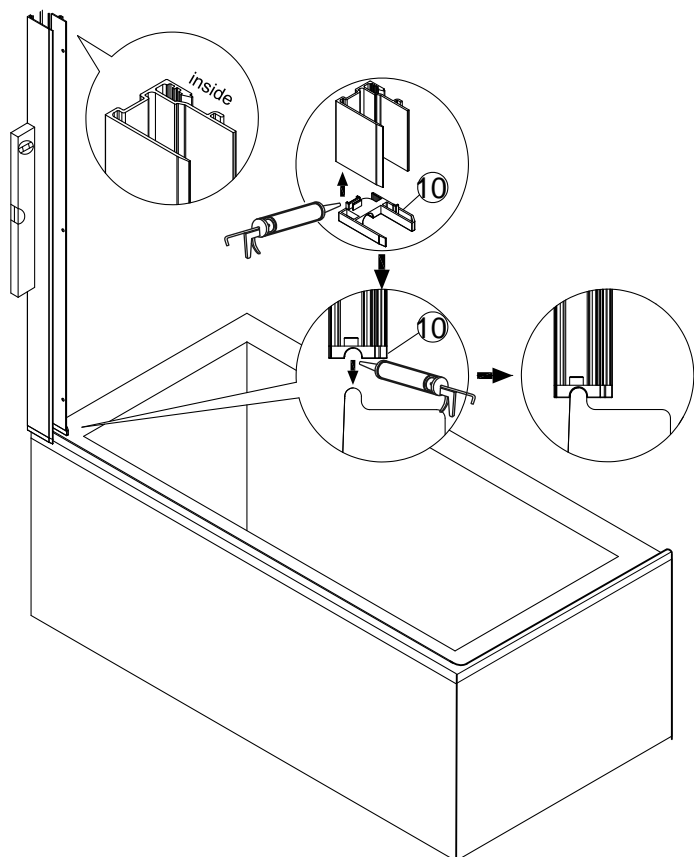
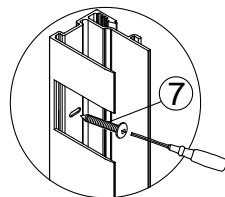
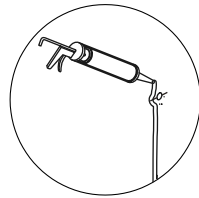
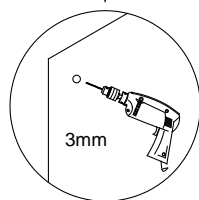
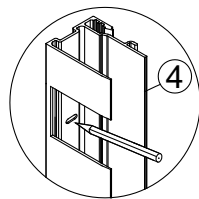
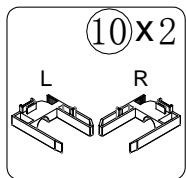
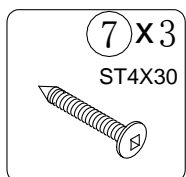
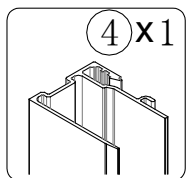


2



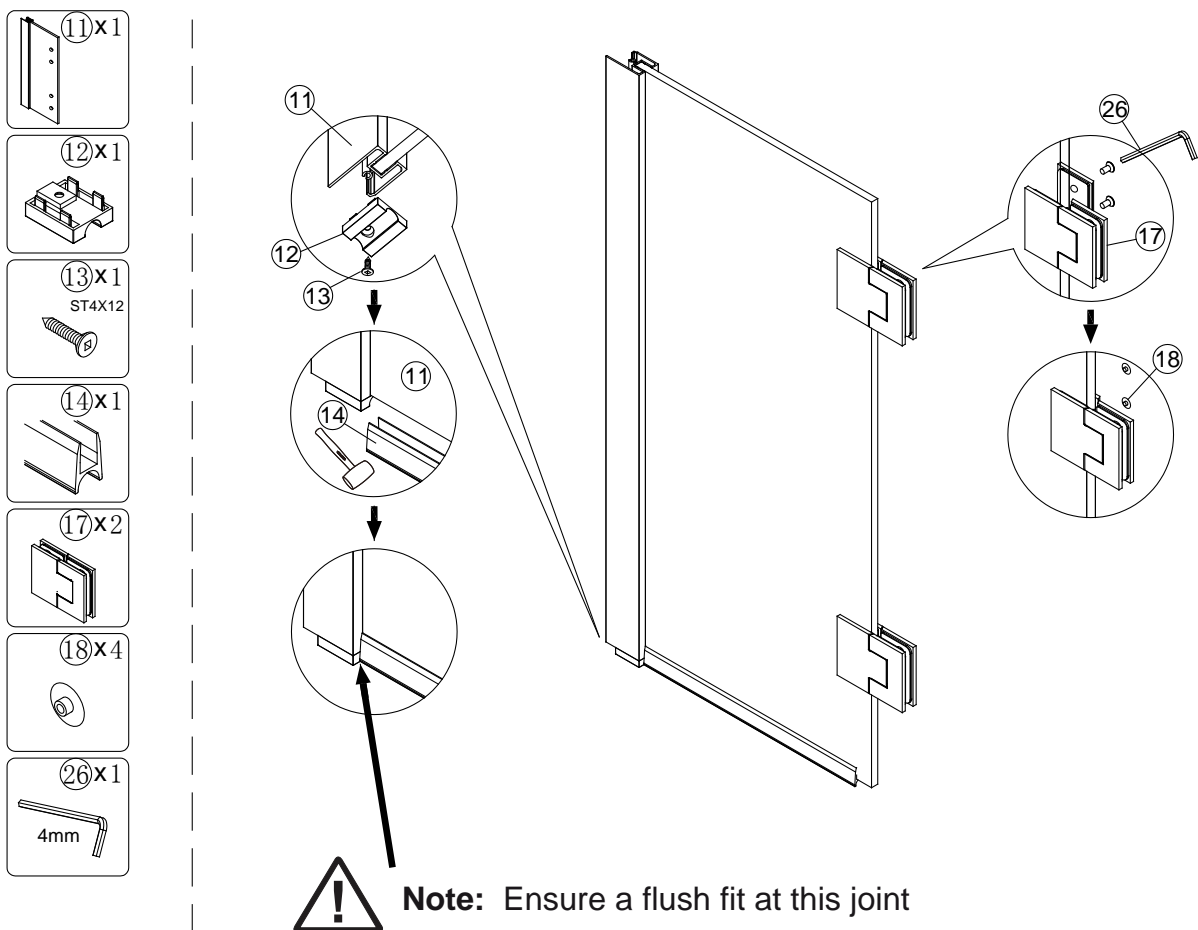
Note: Additional components have been provided to allow for either left or right-handed installations. Diagrams in this document refer to a LEFT-HANDED setup (i.e: hinge is on the left of the door panel when facing the bath). Identify your requirements and set aside the surplus parts. Components should direct water back into the bath.

- (a) Identify the desired handing of the installation. Apply silicone to the top of the applicable bottom cap (10) and press cap into the lower end of the wall channel (4).
- (b) Position the wall channel on the wall, directly over the upstand. The exposed face of the channel should face inside the bath. Use a level to ensure that it is vertical.
- (c) Mark the position of the fixing holes down the centre of the channel, then remove the wall channel.
- (d) Drill with a 3mm bit. For other types of wall structure, alternative fixings may be required.
- (e) Apply silicone sealant along the length of the wall where the wall channel will be placed, and on the underside of the bottom cap.
- (f) Position the wall channel on the wall and install the fixing screws (7). Fully tighten the fixing screws, making sure that the wall channel remains vertical.



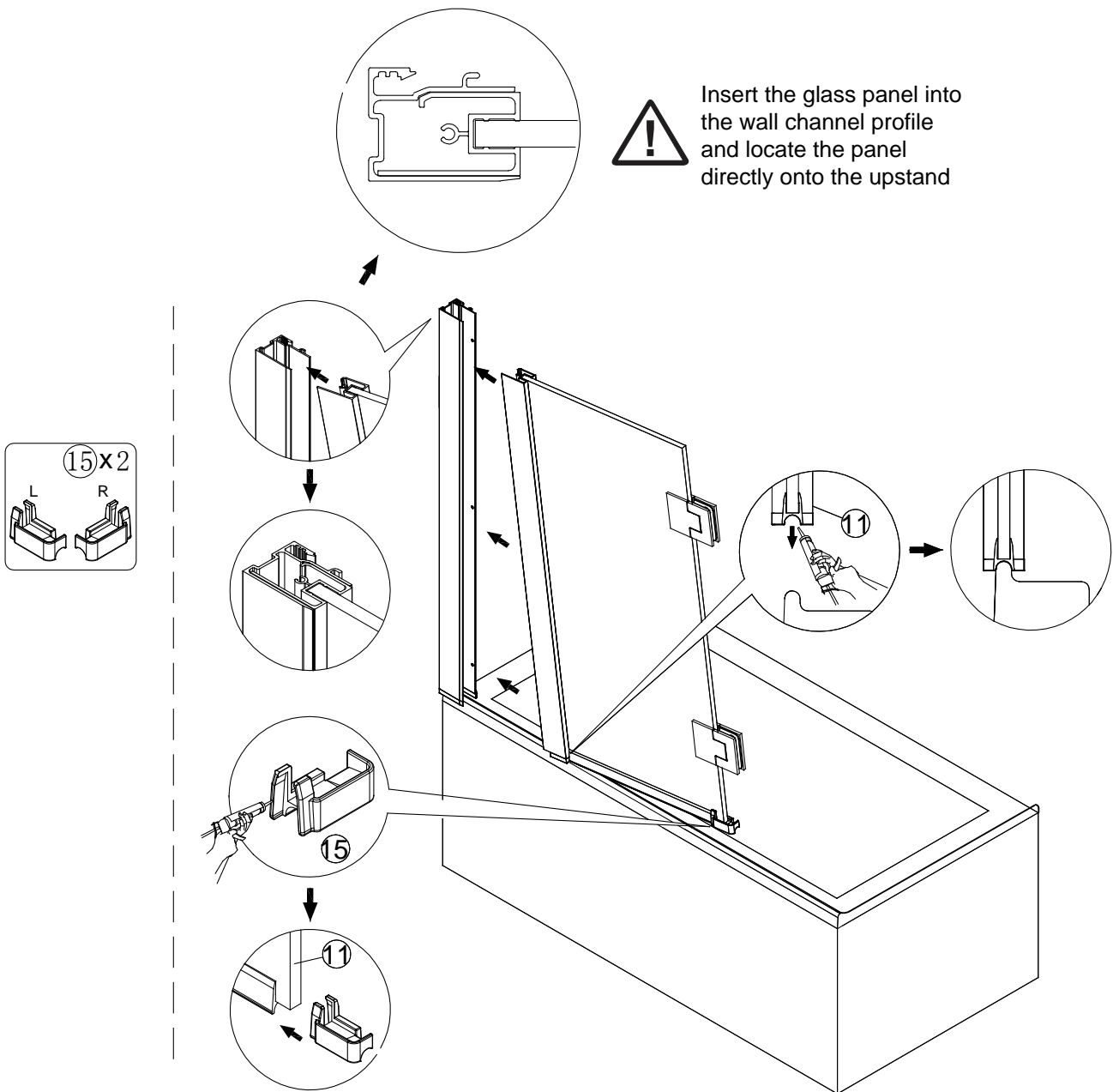
3

- (a) Insert the upstand cover (12) into the bottom of the vertical extrusion of the fixed panel (11). Secure with assembly screw (13).
- (b) Firmly press the upstand extrusion (14) onto the fixed panel. Ensure the upstand extrusion is flush with the vertical extrusion. Tap into place with a rubber mallet if required.
- (c) Install the hinges (17) onto the fixed panel, adjusting gasket thickness if required.
Note! Orientation of the hinges is important - the larger section goes onto the fixed panel and the assembly bolts & covers face the inside of the bath enclosure.
- (d) Align the hinges and tighten the assembly bolts with hex key (26). Cover the bolt heads with the cover caps (18).



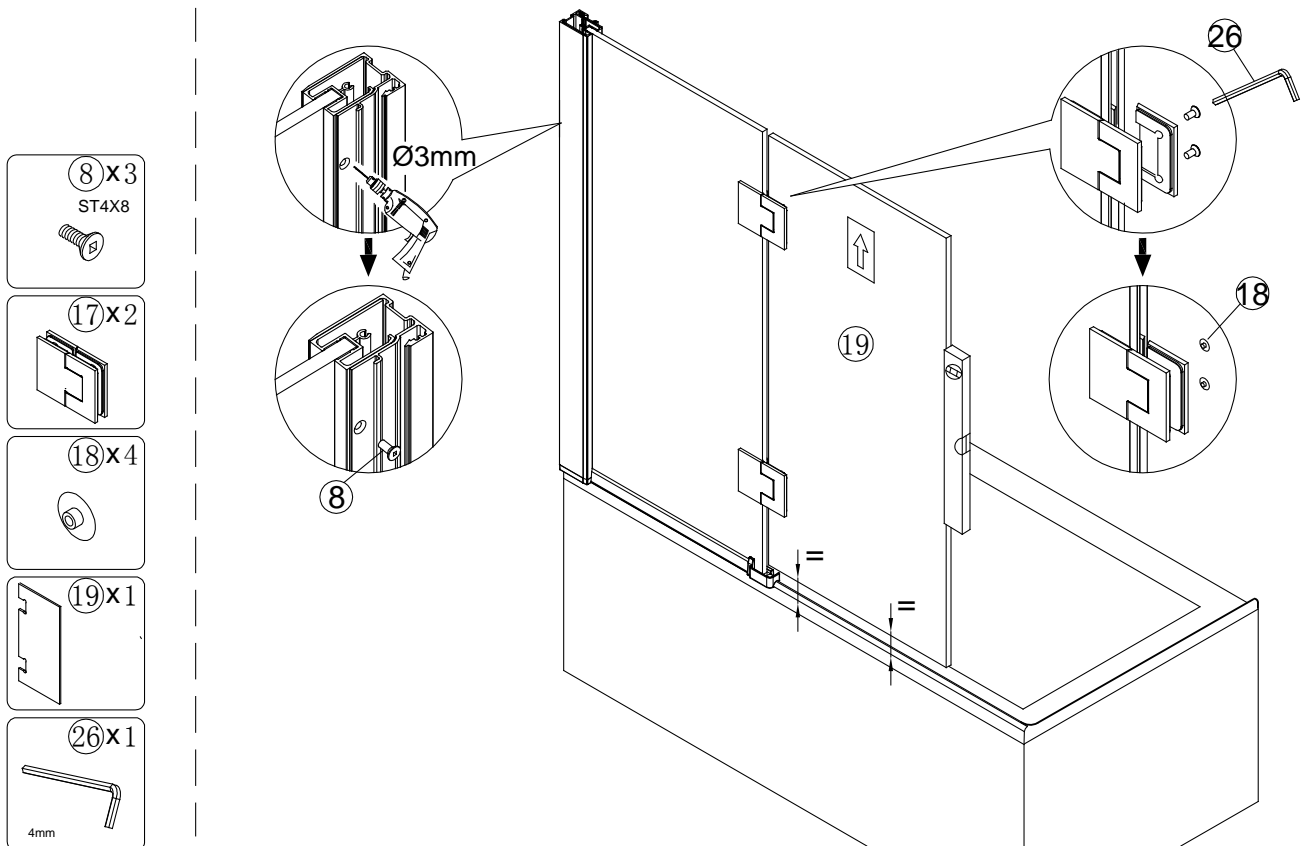
4

- (a) Identify the correct end cap (15). The rounded corner will face away from the bath. Apply silicone to the inside surfaces of the cap and press onto the fixed panel (11).
- (b) Apply silicone along the length of the underside of the upstand extrusion + end cap.
- (c) Lift and insert the assembled fixed panel into the wall channel. Rest the assembled panel directly on top of the upstand and slide it as far as possible into the wall channel. Remove any excess silicone.



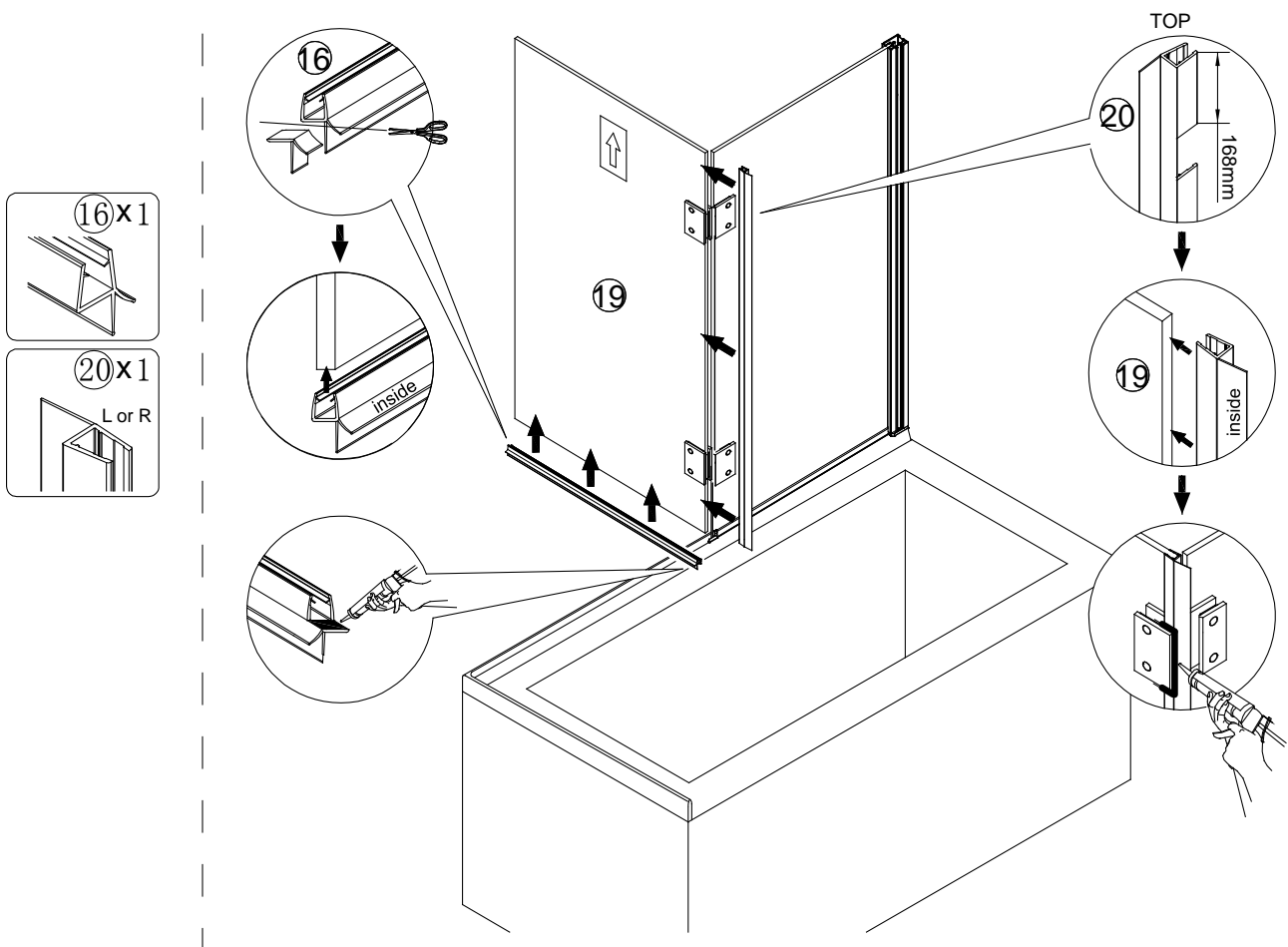
5

- (a) Ensure the fixed panel is sitting correctly on top of the upstand.
- (b) From the inside of the enclosure, drill holes through the centre-marked points on the wall channel with a 3 mm drill bit. Take care not to damage the product.
- (c) Install and tighten the wall channel assembly screws (8).
- (d) With the arrow label to the top, lift the door panel (19) into place and loosely assemble the hinge to take the weight of the glass.
- (e) Ensure the tops of the two panels align and the edge of the door panel is vertical. The gap between the door panel and bath should be even.
- (f) Tighten the hinge bolts with hex key (26) to secure the door panel. Insert the hinge cover caps (18).



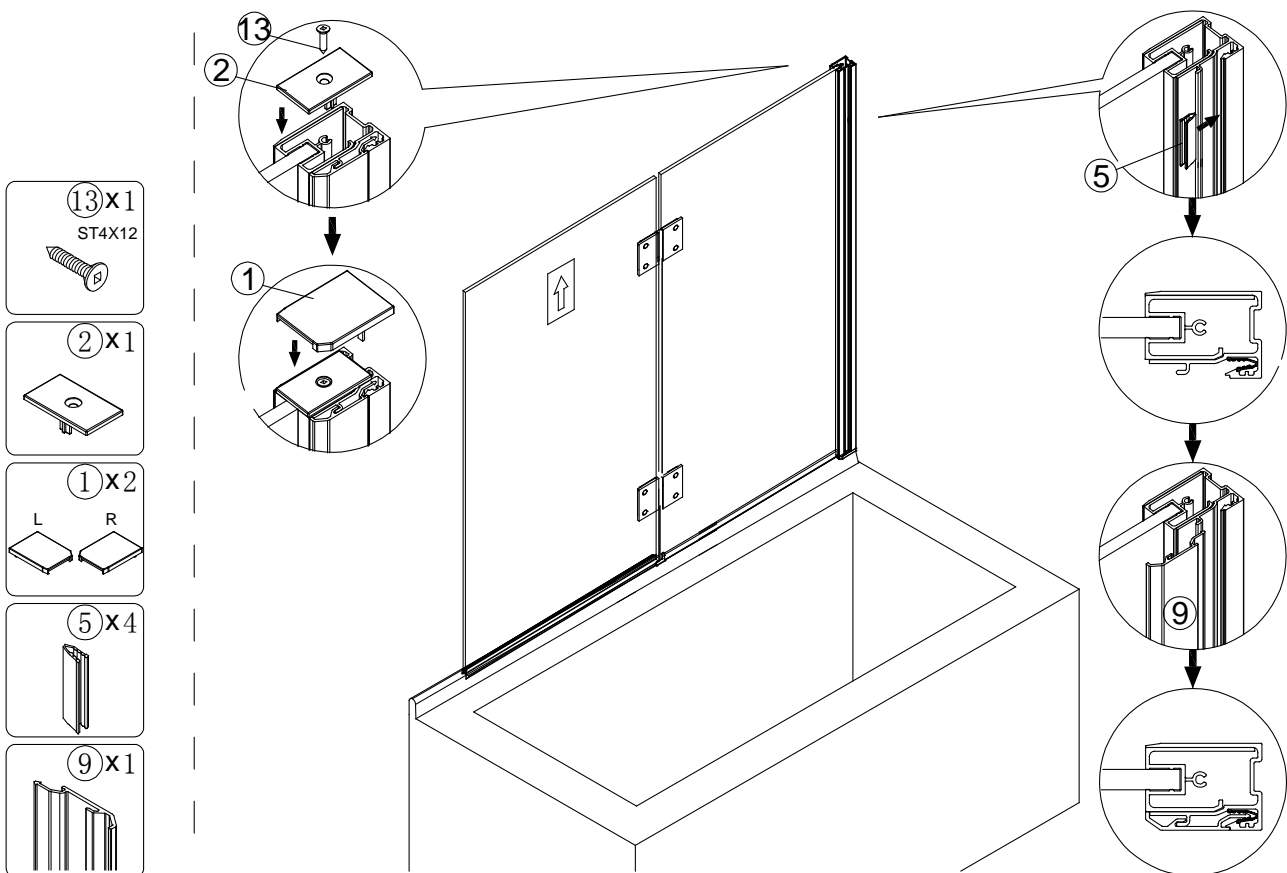
6

- (a) Press the drip seal (16) onto the bottom of the door panel (19). Ensure the two fins are on the inside face of the glass. Trim the open end of the seal flush with the end of the door glass.
- (b) If required, modify the notch at the hinge end to accommodate the vertical seal. Apply a small amount of silicone to the flat surface that will abut the vertical seal.
- (c) Open the door and press the correct vertical seal (20) onto the door panel. Ensure the flexible fin is on the inside face of the glass.
- (d) Apply silicone around the perimeter of where the vertical seal and hinges meet.



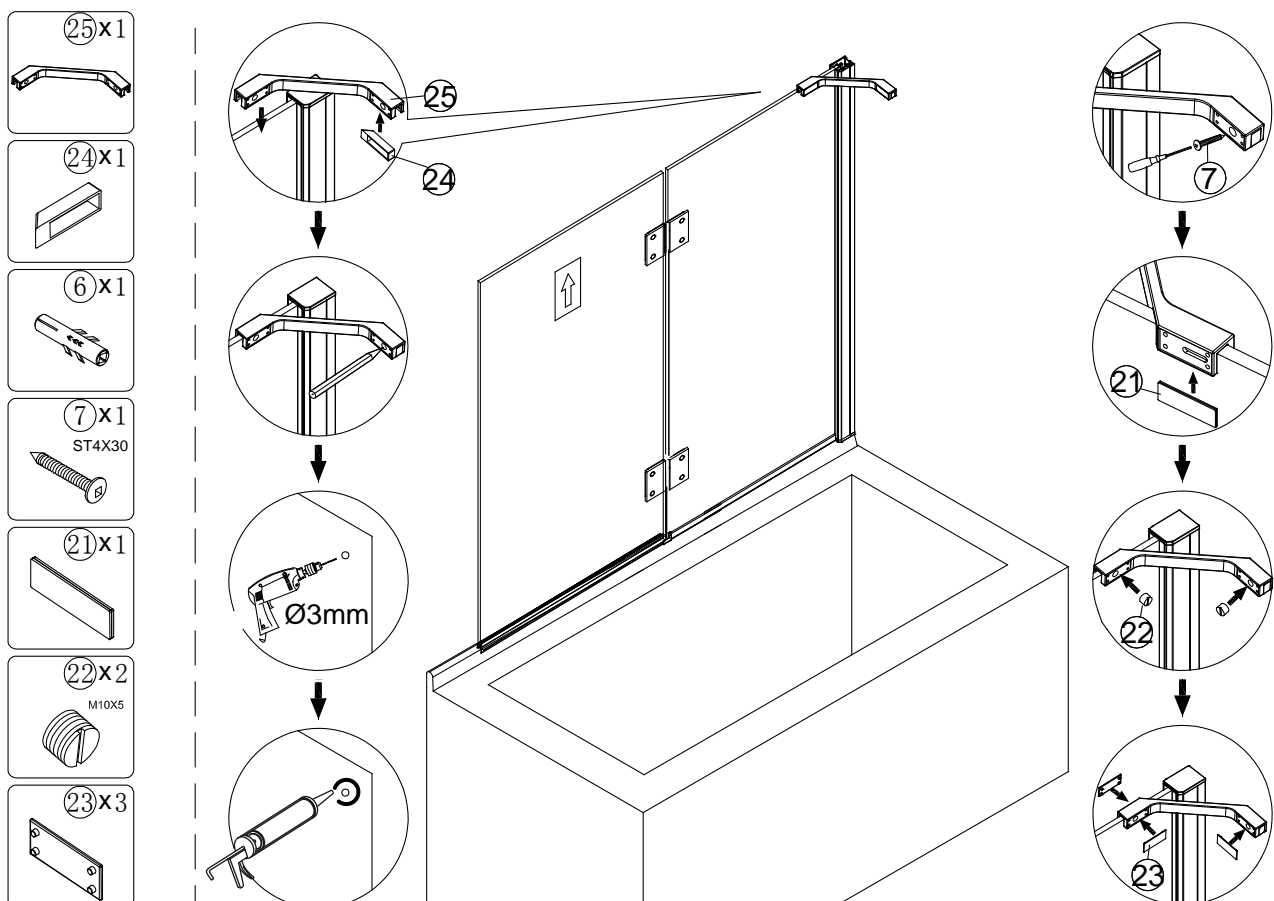
7

- (a) Insert the cover clips (5) into the the wall channel, evenly spaced along its length.
- (b) Firmly push the wall channel cover (9) into the cover clips.
- (c) Use assembly screw (13) to affix top cap (2) onto the assembled wall channel.
- (d) Fit the correct top cap (1) to the top of the extrusion. Add silicone or modify to fit if required.

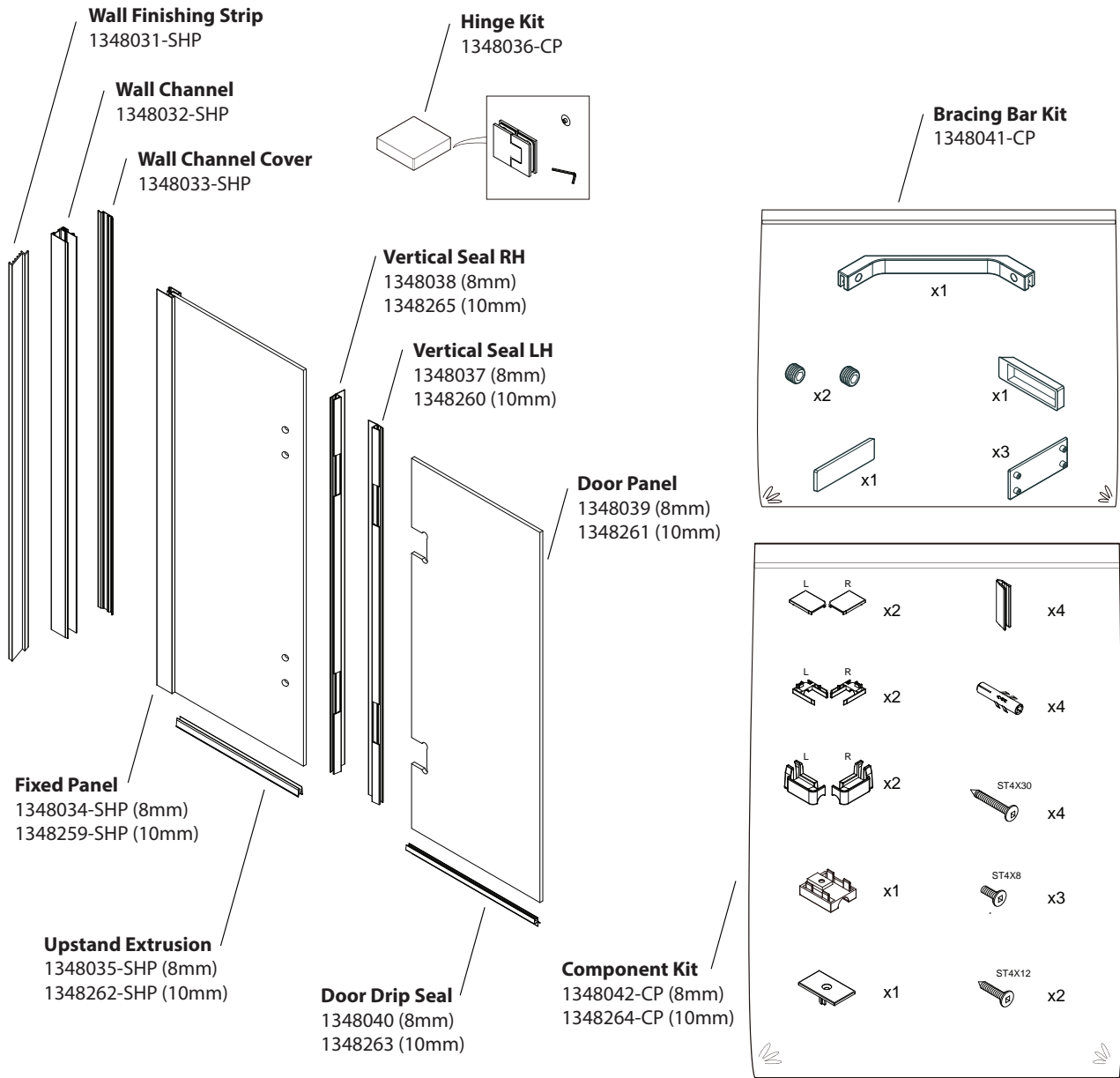


8

- (a) Place the bracing bar (25) on top of the fixed panel, angling into the enclosure.
- (b) Insert the wall infill (24) and mark the hole on the wall.
- (c) Drill with a 3mm bit. For other types of wall structure, alternative fixings may be required. Apply a bead of silicone around the drilled hole.
- (d) Install and tighten the fixing screw (7).
- (e) Insert the packer plate (21) to the outside face of the bracing bar.
- (f) Insert the rubber-backed grub screws (22) into the bracing bar, and tighten.
- (g) Insert the chrome cover plates (23) to the visible faces of the bracing bar.



SPARE PARTS



CLEANING AND MAINTENANCE INSTRUCTIONS

Please refer to the homeowners guide or our website for cleaning instructions.

CONTACT AND WARRANTY INFORMATION

NEW ZEALAND
KOHLER NZ LTD

Free Ph: 0800 100 382
Free Fax: 0800 664 488
www.Englefield.co.nz

AUSTRALIA
KOHLER CO.

Free Ph: 1 800 ENGLEFIELD
(1 800 364 533)
www.Englefield.com

For warranty information, please visit our website.

