

# INSTALLATION INSTRUCTIONS



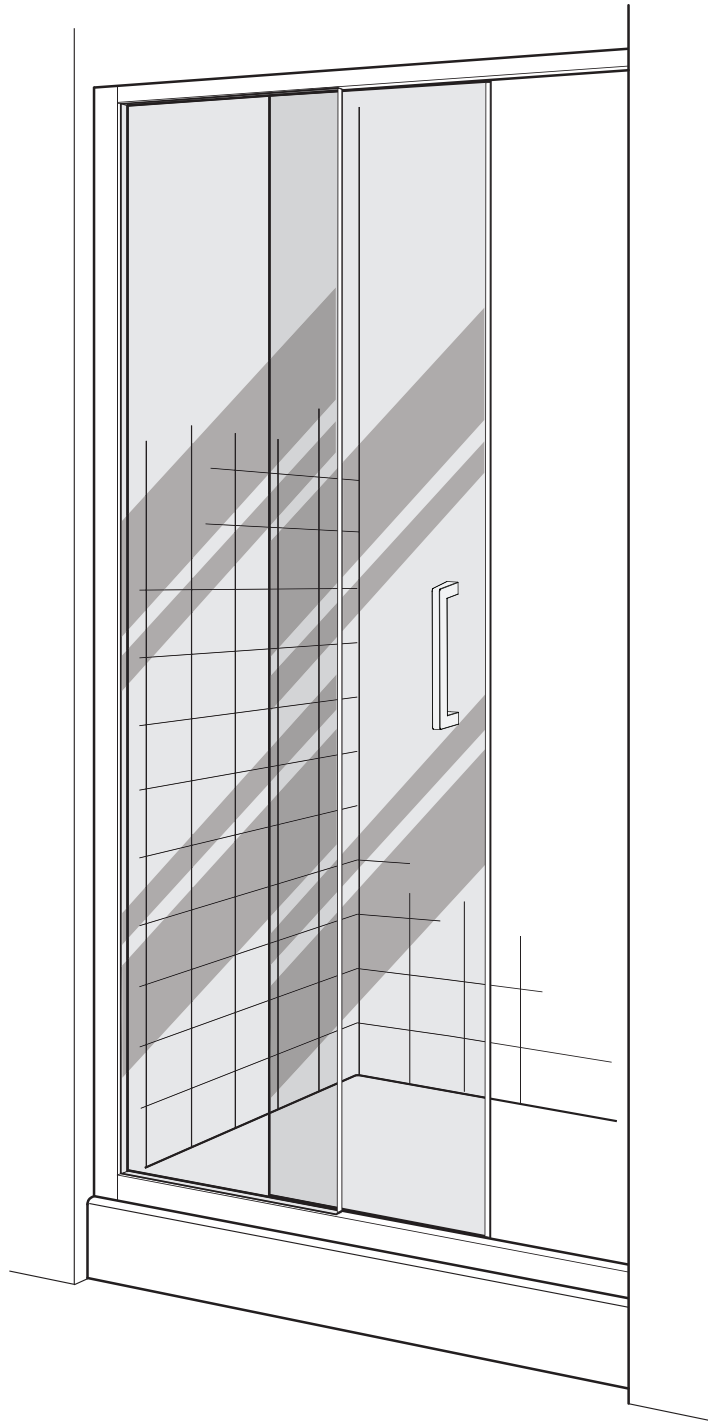
## SHOWER

## STUDIO GLIDE Alcove Sliding



Englefield has a history of making superb showers and their popularity is testament to their quality and affordability.

It's the details that Englefield cares about - from pioneering the latest technology, to innovative design, it's all to make your showering experience the very best it can be.



## BEFORE YOU BEGIN

Before installing the shower please read these instructions carefully to familiarise yourself with the required tools, materials and installation sequences. Please leave these instructions for the consumer after installation. Refer to the separate care and maintenance guide for important care and cleaning information.

Ensure that the shower tray and wall, if applicable, are completely finished prior to installing your shower door and return. Follow all warnings, cautions and instructions contained in this guide.



### SAFETY

1. ENGLEFIELD strongly recommends that a minimum of TWO persons install this enclosure due to the weight of the door panels.
2. Toughened safety glass cannot be cut. Risk of injury or product damage.
3. Wear protective footwear when lifting panels.
4. Wear safety glasses when drilling.

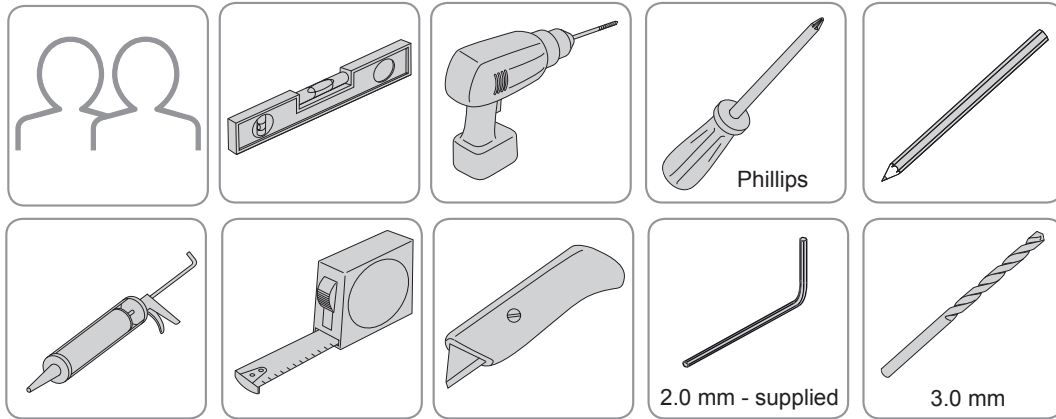


### ATTENTION

1. The wall retainers must be installed onto a waterproof, vertical and flat wall surface. Failure to do so will result in an unsatisfactory seal, which may cause property damage. The wall inclination (out of squareness) is recommended to be out by no more than **+/- 4mm/m**.
2. Please install this door onto an ENGLEFIELD Quick - Fit® Low Profile shower tray only, unless installing directly onto tiled walls and floor.
3. Care must be taken when drilling into walls and floors to avoid any hidden pipes or wires.
4. It is the responsibility of the INSTALLER to ensure that the installation complies with council and or local authority bylaws.

Instructions, drawings, and diagrams contained in this manual present information available at the time of printing. Although every attempt has been made to keep them up-to-date, Englefield reserves the right to implement product changes without further notice.

TOOLS AND MATERIALS REQUIRED

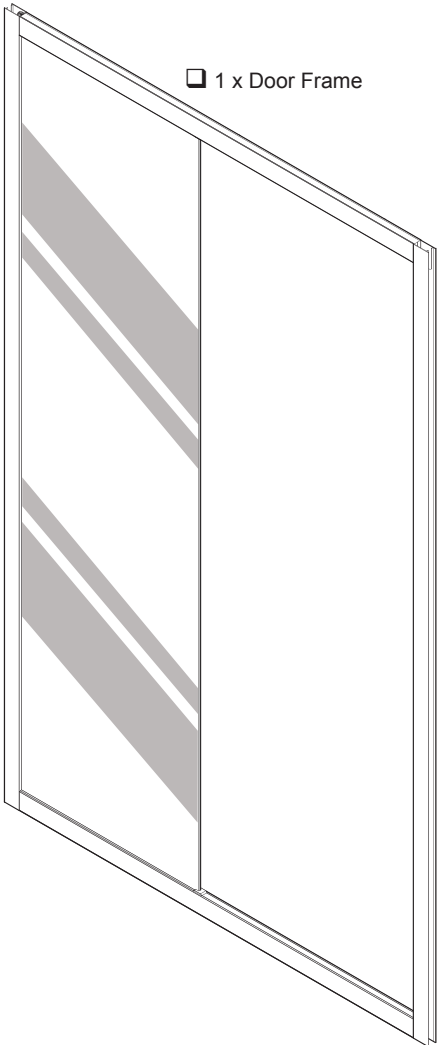


PARTS IDENTIFICATION

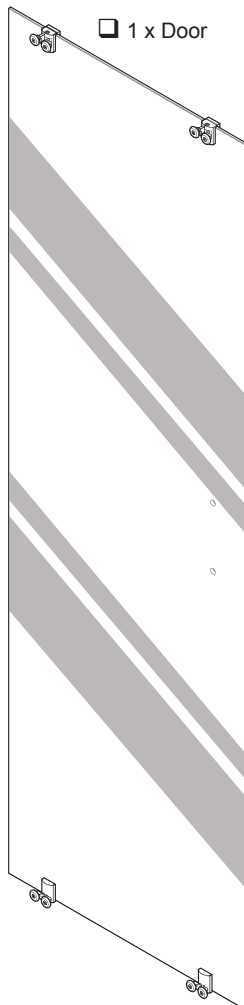
2 x Wall Channels



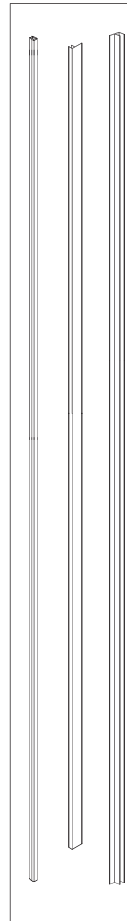
1 x Door Frame



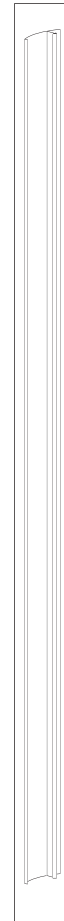
1 x Door



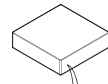
1 x Seal Pack



2 x Corner Covers



1 x Fittings Box



2 x Cover Caps



8 x Short Screws



2 x Cover Caps



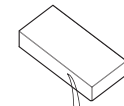
8 x Fixing Screws



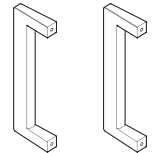
4 x Roller Covers



1 x Handle Kit Box



2 x Handles



2 x Grub Screws



1 x Fitting Kit



1 x Allen Key



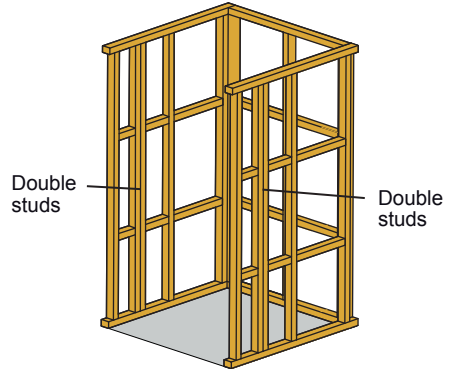
CONSTRUCTION REQUIREMENTS

Wall Framing



**ATTENTION**

Due to the weight of the glass panels Englefield strongly recommends fixing the wall retainers to double studs for all installation types (as below).



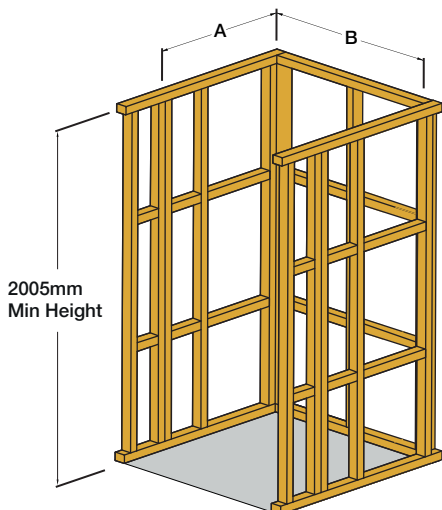
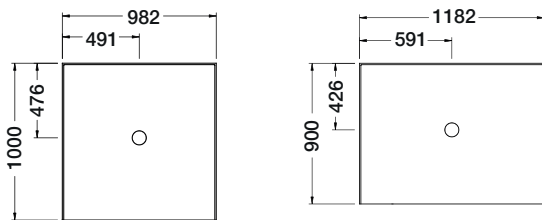
For acrylic tray with acrylic or tiled wall

Size	Dim 'A'	Dim 'B' <sup>+2</sup> <sub>-0</sub>
1000 x 1000	1000	984
1200 x 900	900	1184

**NOTE:** This setup allows for the use of standard 10mm wall board. A thicker wall board could make the recess too narrow for the door system.

Studio Glide ALC 10x10

Studio Glide ALC 12x9



For tile floor and tile wall - Finished surfaces

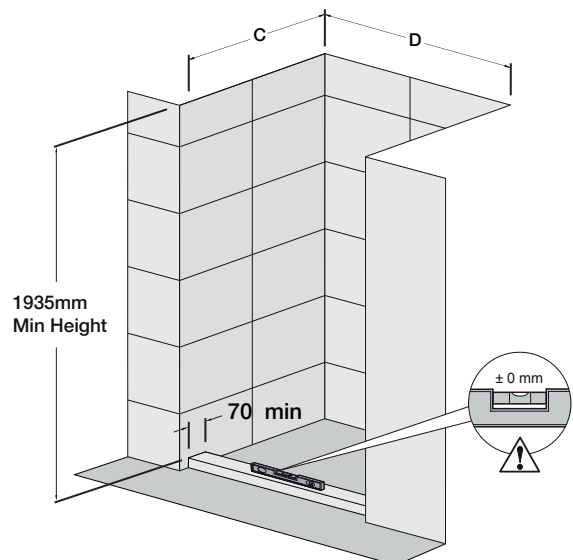
Size	Dim 'C'	Dim 'D' <sup>+5</sup> <sub>-0</sub>
1000 x 1000	N/A	956
1200 x 900	N/A	1156

**Finished /tiled hob to be:**

- 1) Minimum 70mm wide.
- 2) 1-2° fall front to back is acceptable.
- 3) Level (+/-0mm) left or right.

Studio Glide ALC 10x10

Studio Glide ALC 12x9



## INSTALLATION - Options

### OPTION 1 - Acrylic Tray & Acrylic Wall

**Acrylic Tray:** For tray installation refer to the instructions supplied with the tray.

**Acrylic Wall:** For wall installation refer to the instructions supplied with the wall.

- Proceed to Door Installation.

### OPTION 2 - Acrylic Tray & Tiled Wall

**Acrylic Tray:** For tray installation please refer to the instructions supplied with the tray.

**Tiled Wall:**



#### **ATTENTION**

**The complete door system MUST be installed onto the waterproof membrane PRIOR TO WALL TILING.**

Failure to install the complete door system before tiling may mean the door system will not fit on the shower tray due to the tile thickness.

- Proceed to Door Installation.

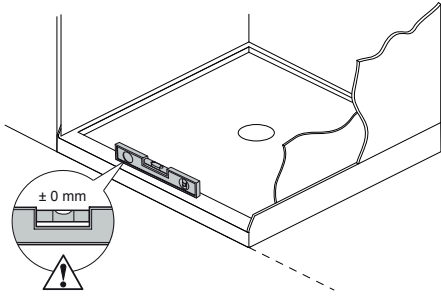
### OPTION 3 - Tiled Wall & Floor

- The door and return can be installed directly onto the wall and floor tiles.  
**(Refer to construction requirements).**

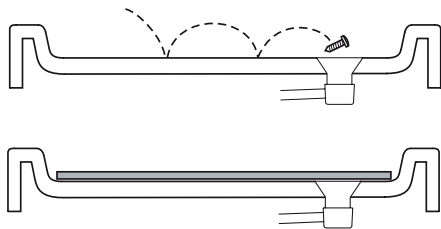
- Proceed to Door Installation.

INSTALLATION

1



**Caution:** Ensure tray or tiled floor is level & walls are vertical & square.

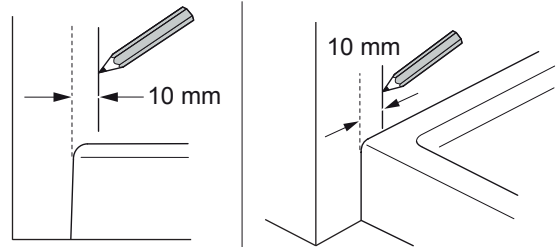


**Tip:** Cover the waste to prevent the loss of small parts. If installing onto a tray protect the tray surface during installation.

(a) Mark the locations of the wall retainers.

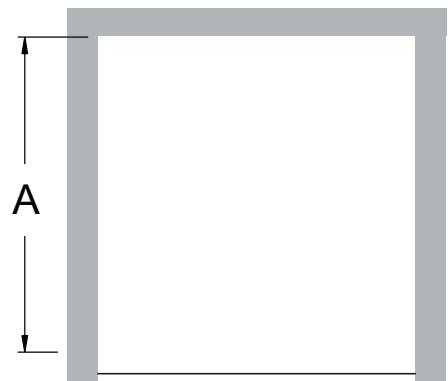
**For tray base option:**

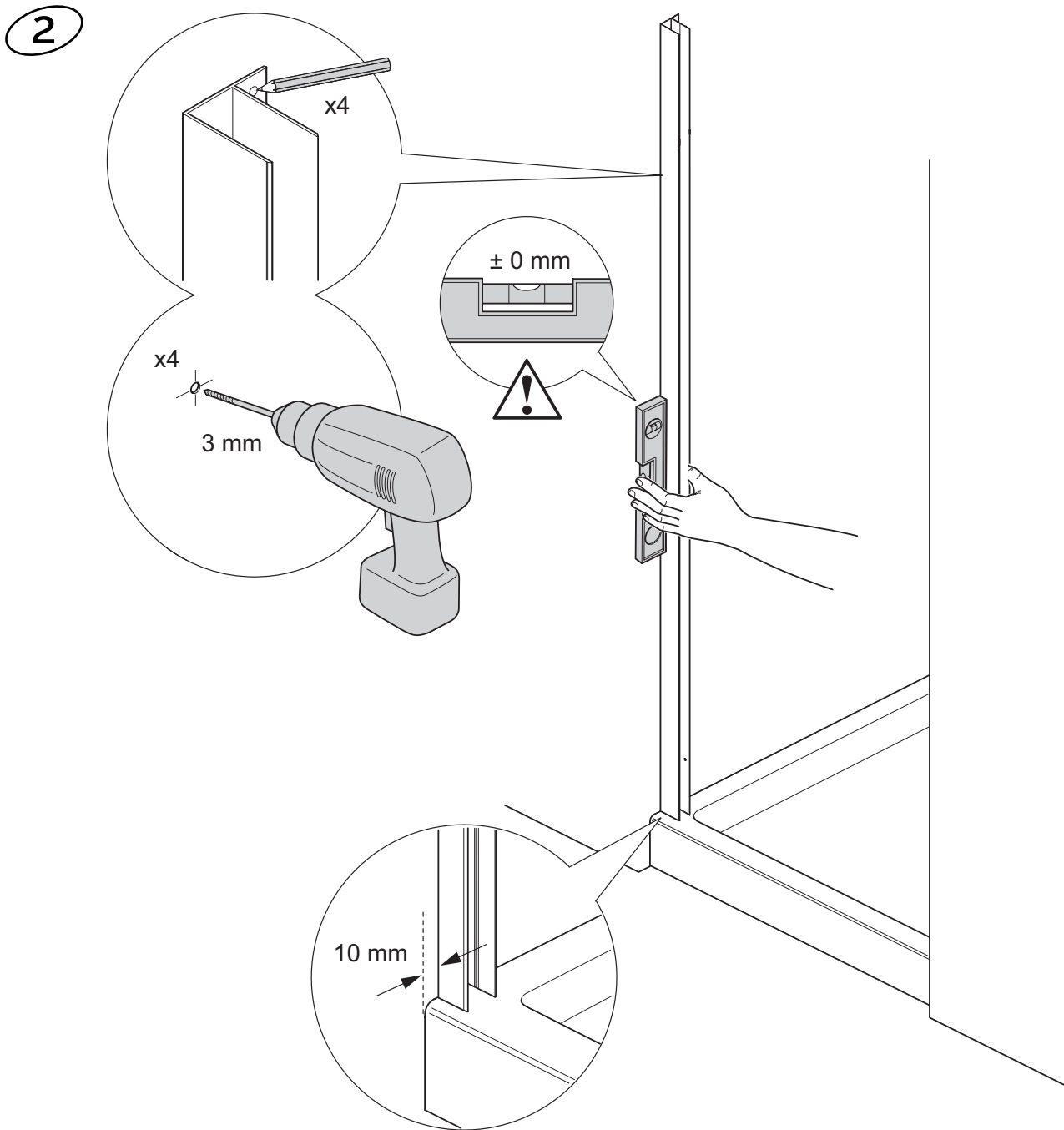
- Mark 10mm in from top edge of tray.



**For tiled floor option:**

- Mark from back wall to outer edge of both retainers with your preferred dimension 'A'.



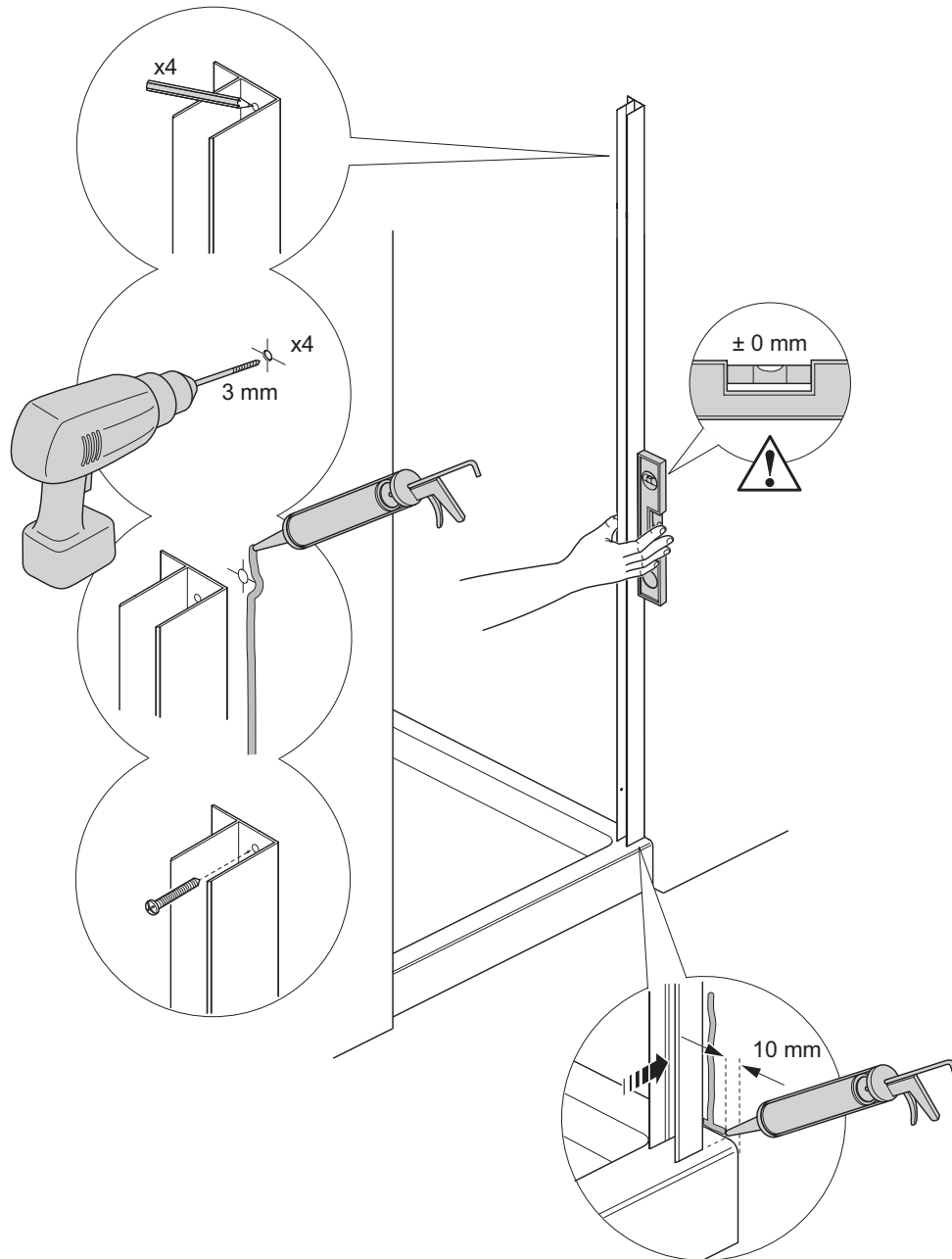


**Note!** The door assembly is reversible. Decide if you would like the opening on the left or right side.

The wall channel that you secure to the wall first will be the opening end.

- (a) On the non-door side (the fixed glass panel), position the wall channel on the wall. The flange with pre-drilled holes should face inside the shower enclosure. Using a level, make sure that the channel is upright.
- (b) Mark the position of the fixing holes down the inner flange (not down the centre of the channel) as shown in the picture above. Then remove the wall channel.  
**Note! The wall channel is not to be fixed at this stage.**
- (c) Drill with a 3mm bit. For other types of wall structure, alternative fixings may be required (not supplied).

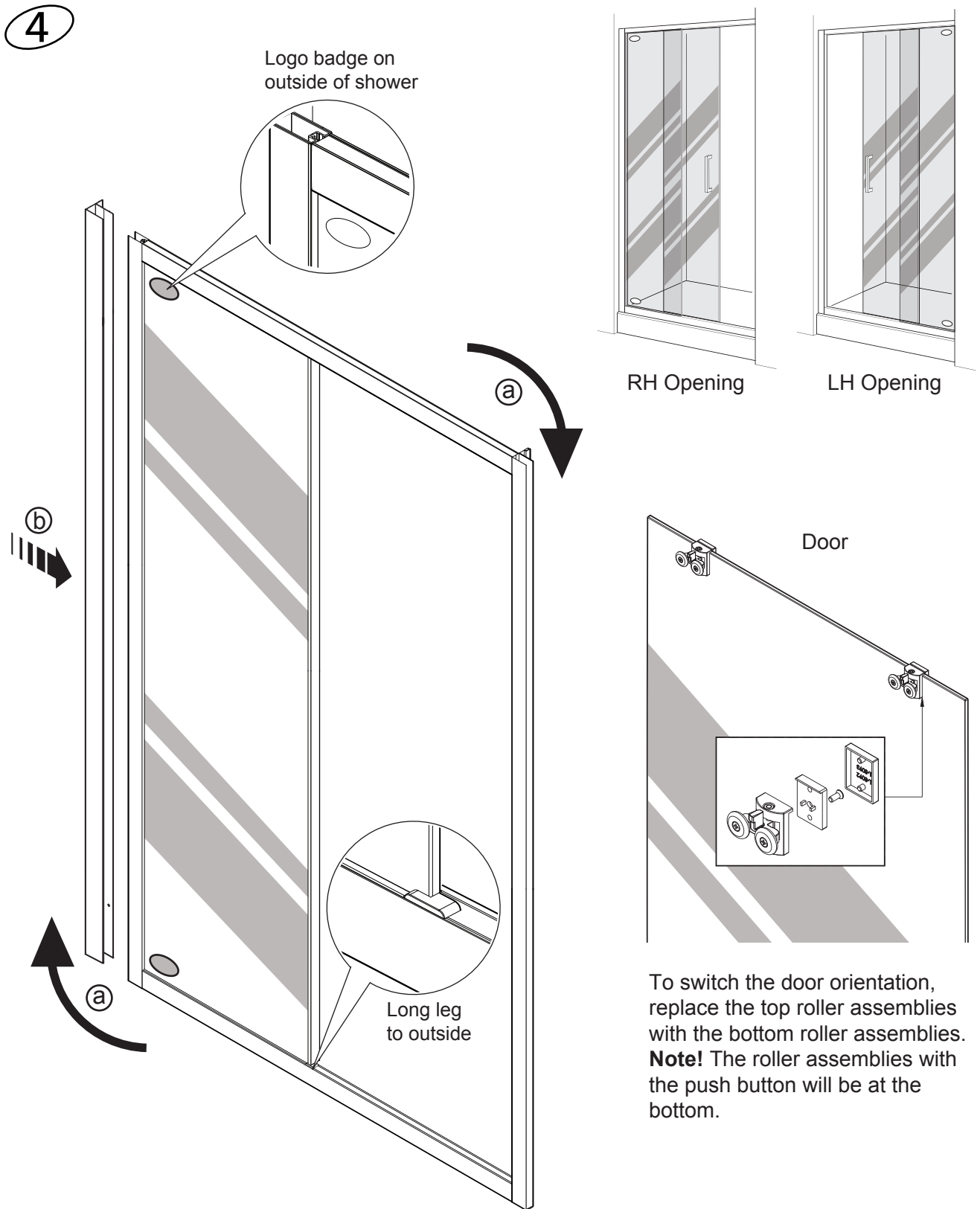
3



- (a) On the door side, position the wall channel on the wall. Using a level make sure that it is upright.
- (b) Down the centre of the channel, mark the position of the fixing holes, then remove the wall channel.
- (c) Drill with a 3mm bit. For other types of wall structure, alternative fixings may be required (not supplied).
- (d) Apply silicone sealant along the length of the wall and at the bottom where the wall channel will be placed, including the top of the tray.
- (e) Position the wall channel on the wall and install the fixing screws.
- (f) Fully tighten the fixing screws, making sure that the wall channel is upright.



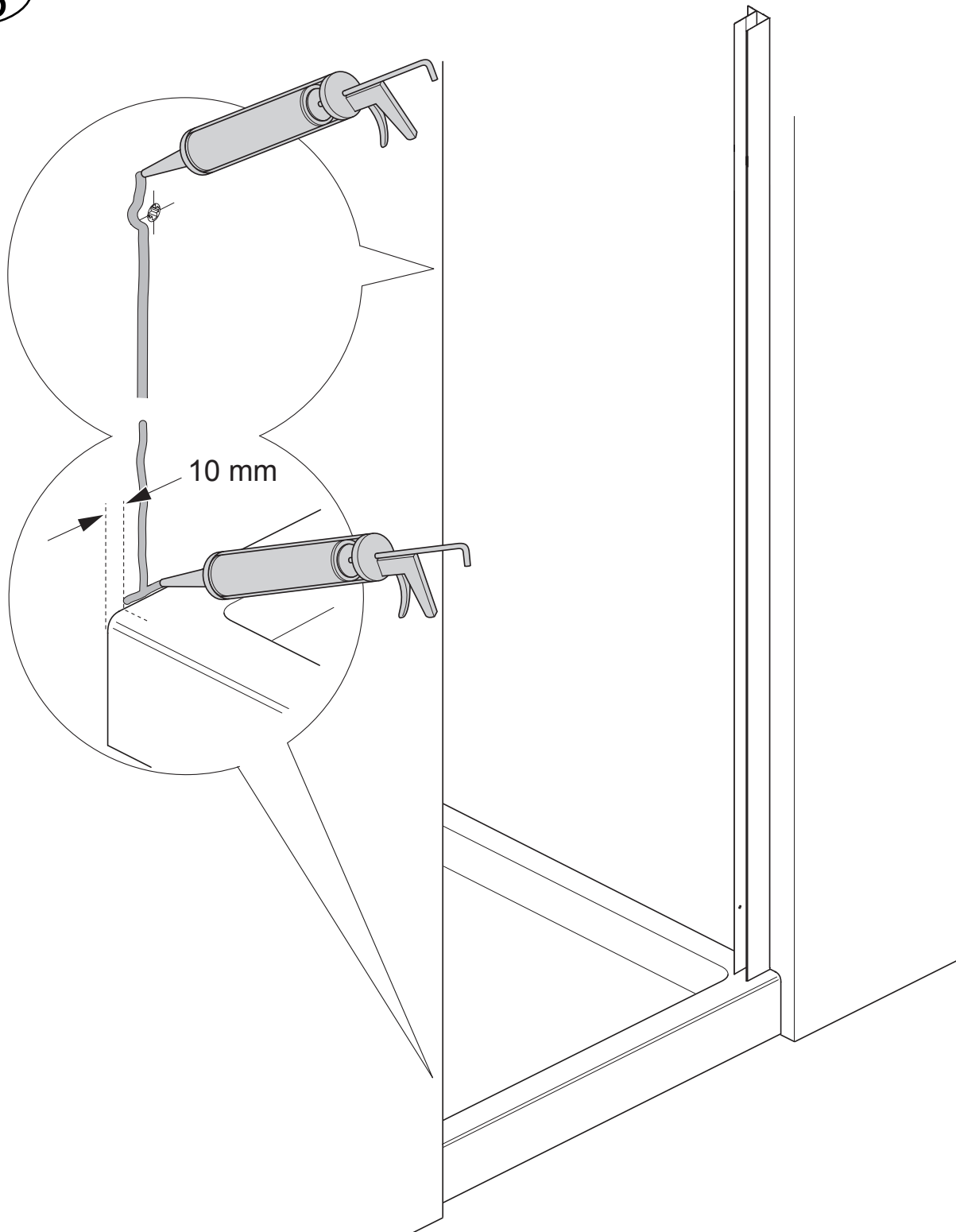
4



To switch the door orientation, replace the top roller assemblies with the bottom roller assemblies. **Note!** The roller assemblies with the push button will be at the bottom.

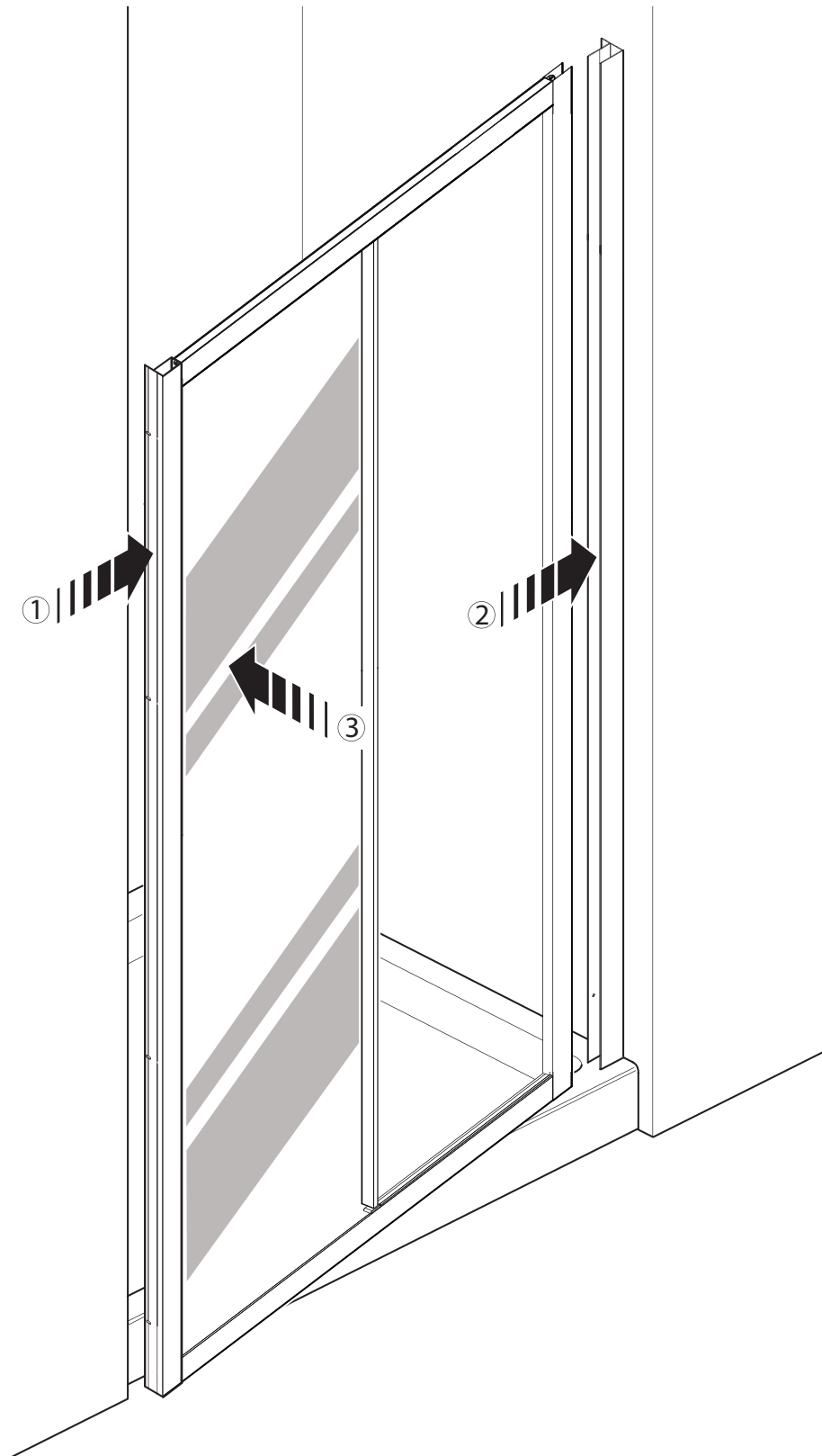
- (a) The sliding door can be either a LH or RH opening. To change the opening simply rotate the frame through 180° before continuing with the installation. **Note!** If you rotate the frame, then you may also need to rotate the door so that the handle holes are in the correct position. You may also need to swap the roller assemblies around (the rollers with screw adjustment need to be at the top).
- (b) Slide the free wall channel over the frame at the fixed panel end and hold in position.

5



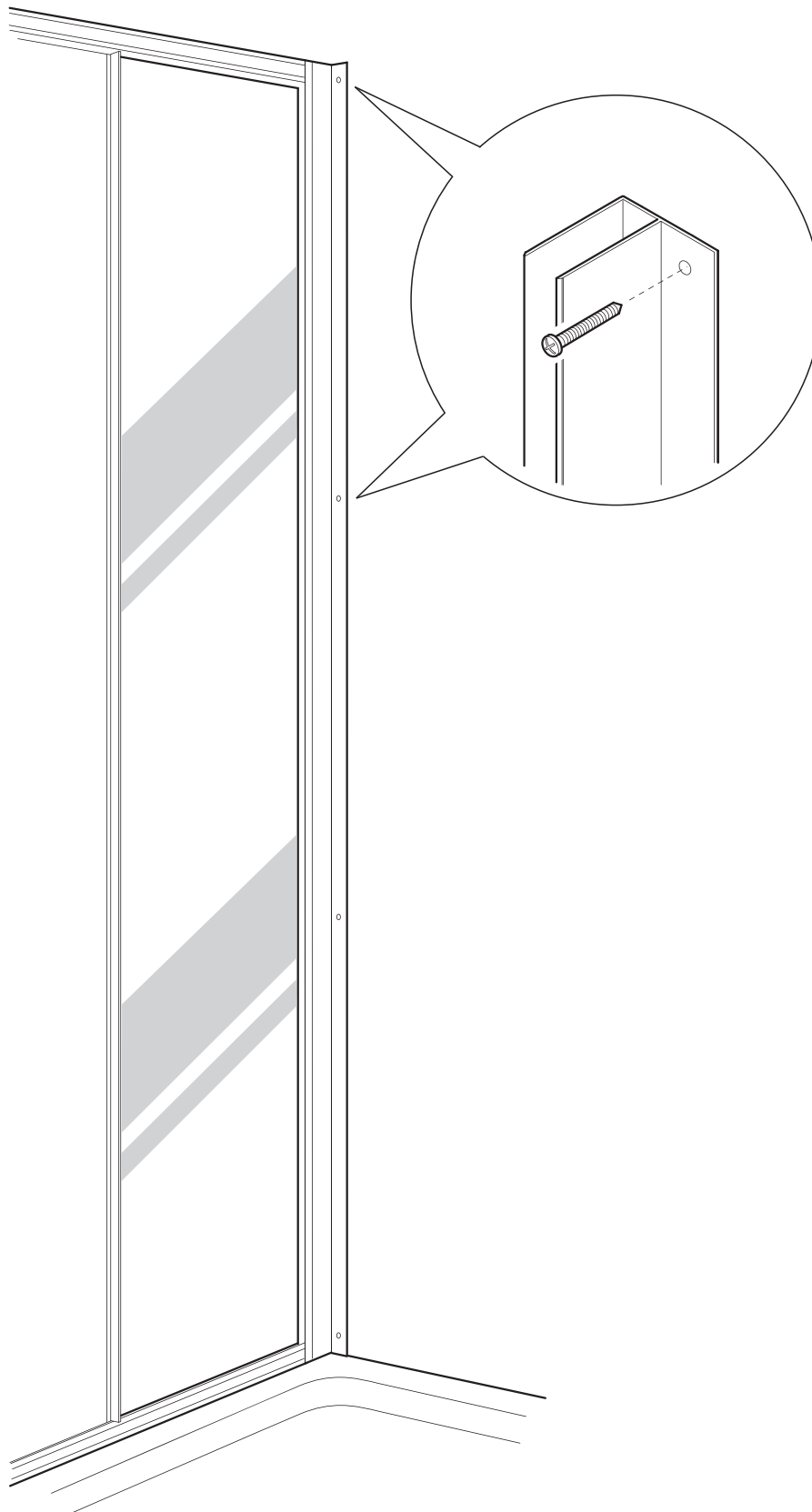
- (a) Apply silicone sealant along the length of the wall and at the bottom where the second wall channel (fixed panel end) will be placed.

6



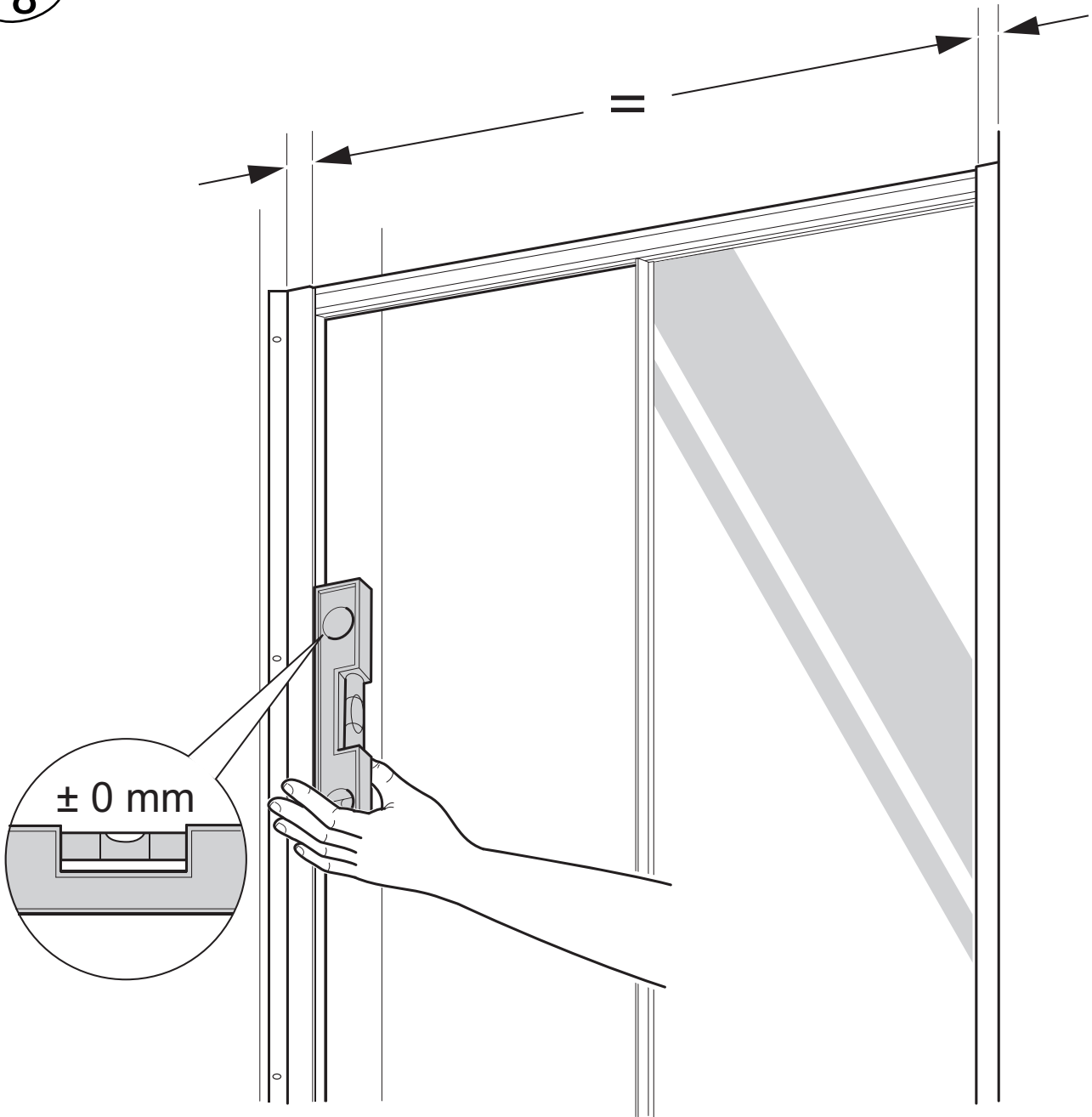
- (a)** While holding the second wall channel (1) in place, insert the opening end of the door frame into the secured wall channel (2). Make sure to not smudge the silicone sealant applied in the previous step.
- (b)** Swing the door frame (3) into the correct position, so that the wall channel holes line up.

7



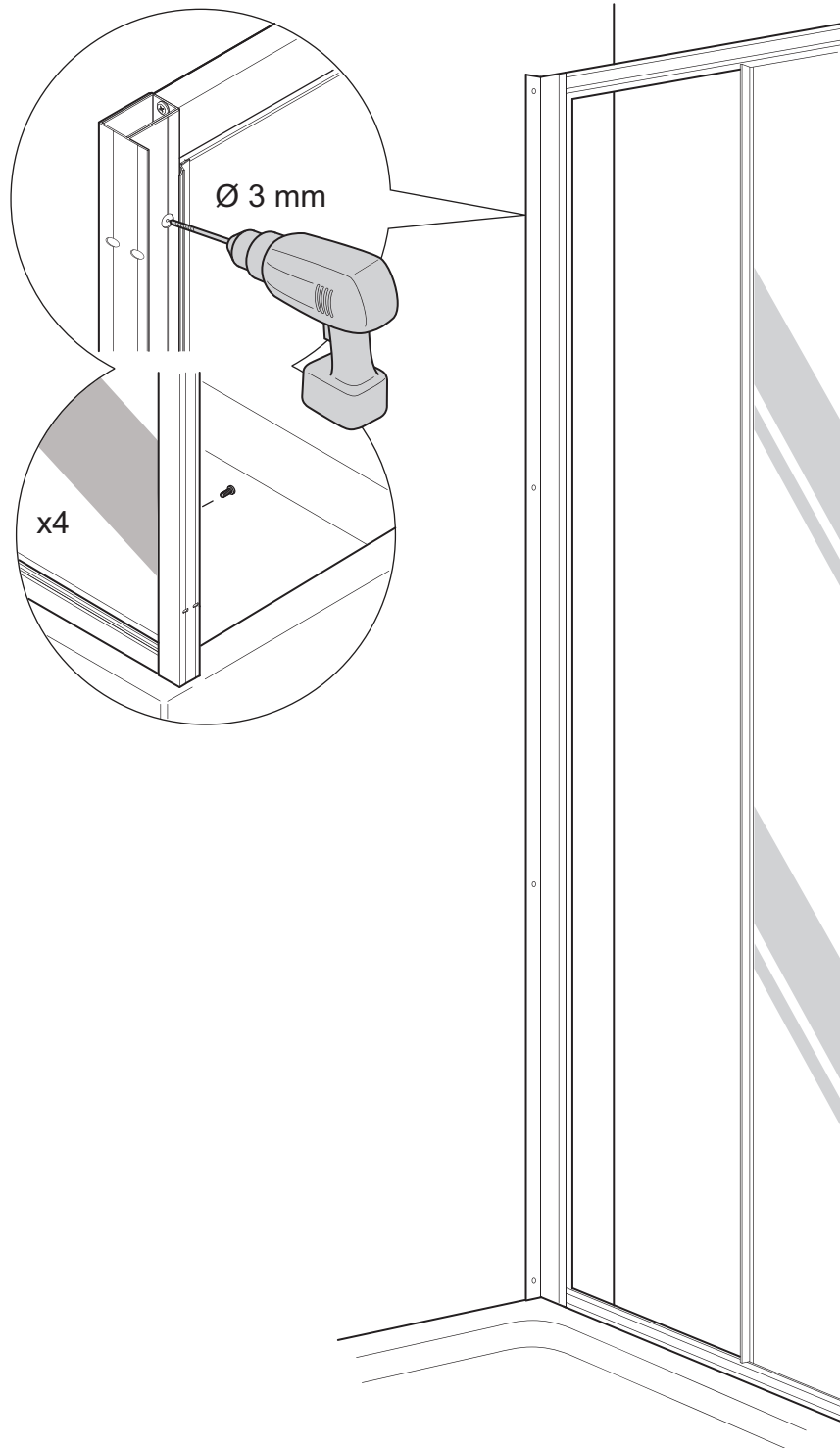
- (a) With the wall channel in position, install the wall fixing screws from inside the shower.
- (b) Fully tighten the fixing screws, making sure the wall channel is upright.
- (c) Remove any excess silicone sealant from inside the shower enclosure.

8



- (a) Centralise the door frame within the wall channels, making sure that the door frame is square.

9

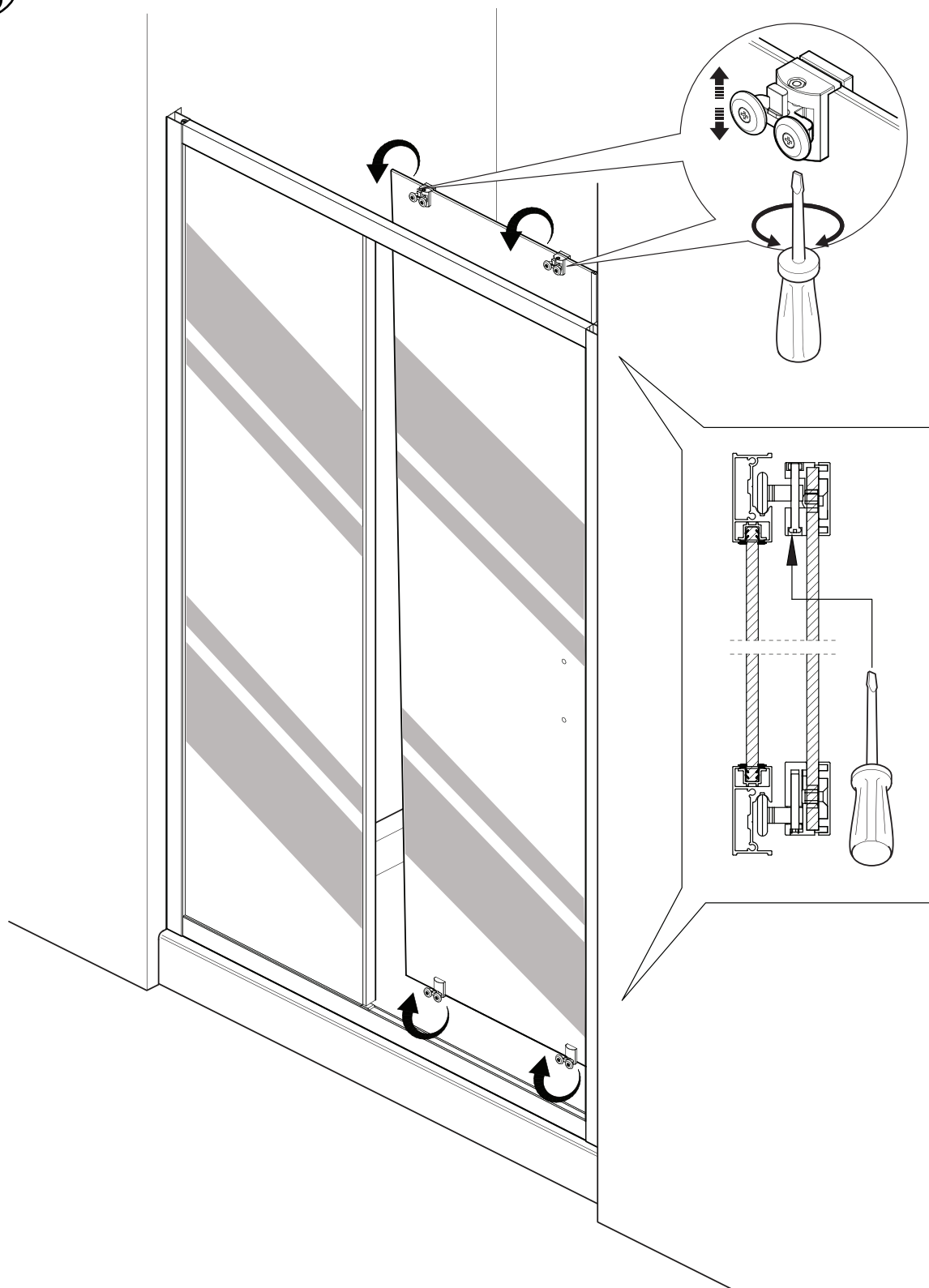


- (a) From the inside of the shower enclosure, drill four 3mm holes in the door frame. The hole locations are centre marked on the inside of the wall channel.

**Note!** Take care not to drill all the way through or damage the visible face of the shower.

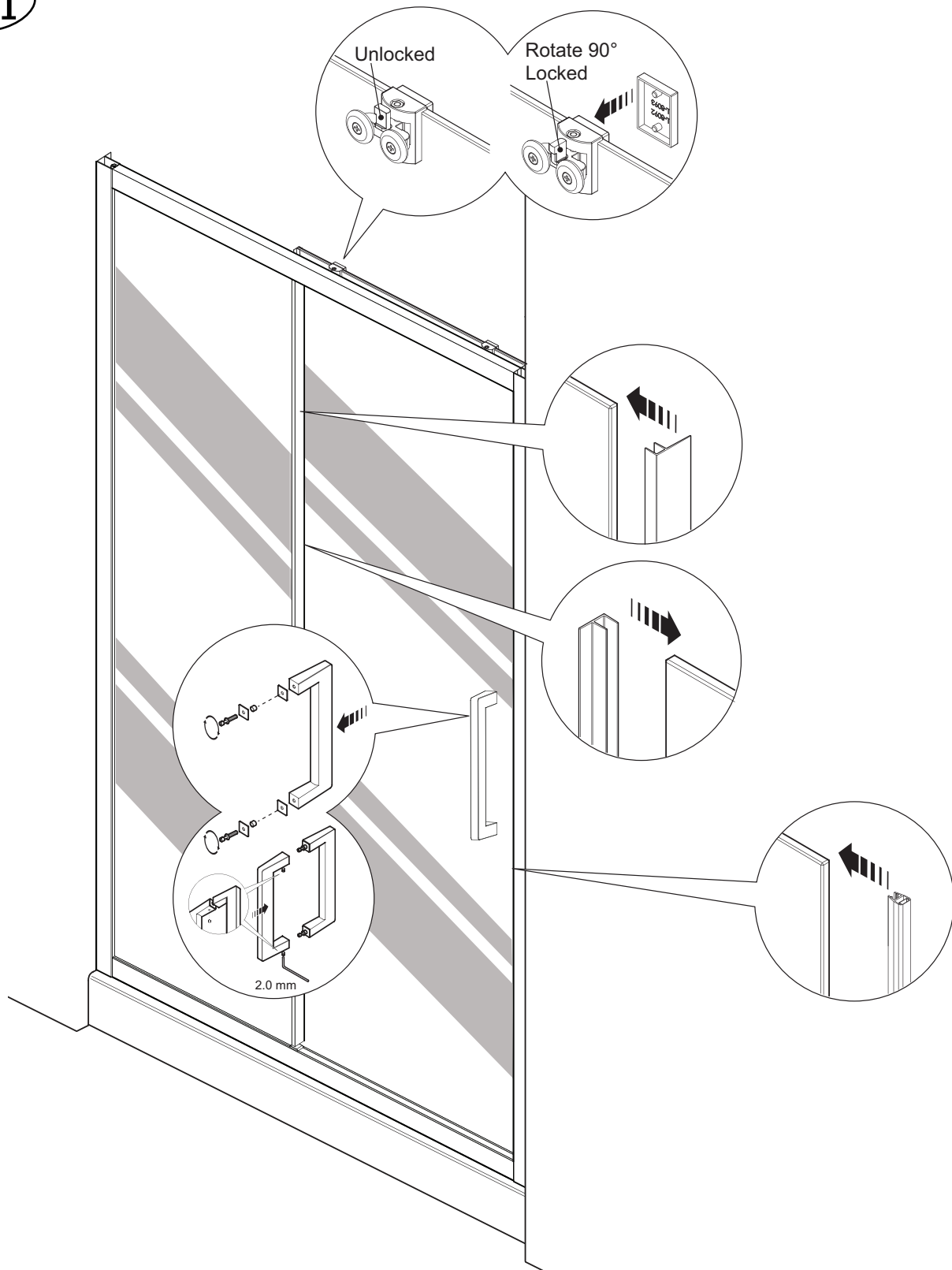
- (b) Insert the short screws and tighten.
- (c) Repeat the process for the other wall channel.

10



- (a) Hang the door onto the top rail.  
**Note!** Make sure that the roller adjusting screws are facing downwards.
- (b) Adjust the top rollers with the adjusting screw until the bottom rollers easily clip into the bottom rail.
- (c) Adjust the rollers to give a smooth, even action when the door is opened and closed.

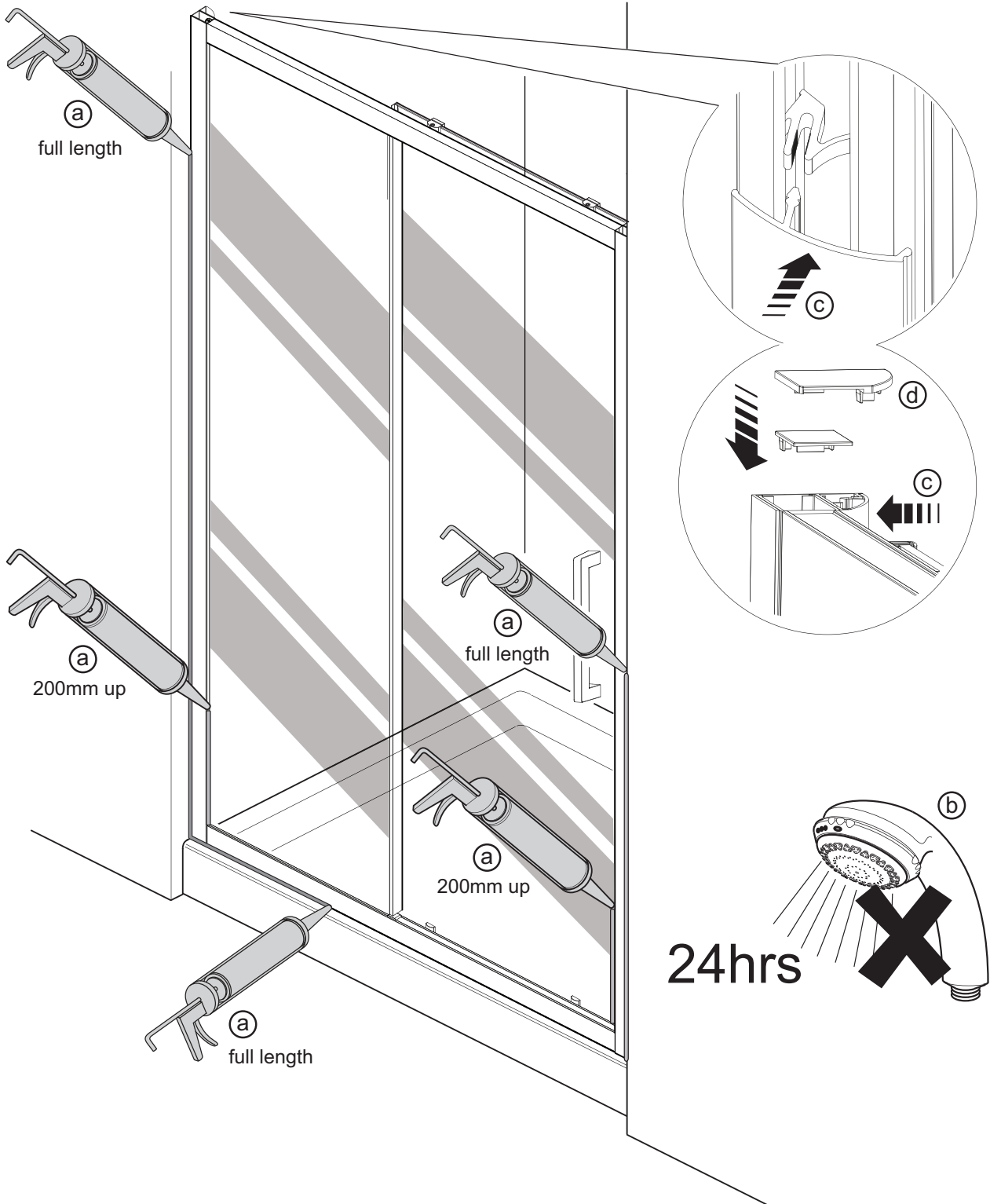
11



- (a) Install the door handle, ensuring that the grub screws are on the underside. The shorter of the two grub screws goes in the lower hole.
- (b) Fit the seals. **Note!** The longer seal goes on the door. Trim any excess material.
- (c) Lock the top roller assemblies in position by turning the lock through 90°.
- (d) Fit the roller covers.



12



- (a) Apply sealant in accordance with the sealant manufacturer's instructions. Apply to the locations shown above. Seal the outside surfaces only.
- (b) Allow the silicone sealant to cure for 24 hours before use.
- (c) Fit the corner covers to the wall channels. They should 'snap' into place.
- (d) Fit the cover caps to the top of the extrusions.

## CLEANING AND MAINTENANCE INSTRUCTIONS

Please refer to the Home Owner's Guide for cleaning instructions.

## CONTACT AND WARRANTY INFORMATION

**NEW ZEALAND**  
KOHLER NZ LTD

Free Ph: 0800 100 382  
Free Fax: 0800 664 488  
[www.inglefield.co.nz](http://www.inglefield.co.nz)

**AUSTRALIA**  
KOHLER CO.

Free Ph: 1 800 ENGLEFIELD  
(1 800 364 533)  
[www.inglefield.com](http://www.inglefield.com)

**For warranty information, please visit our website.**

