

INSTALLATION INSTRUCTIONS



SHOWER VALENCIA ELITE

Corner Sliding 12x9, 12x10



BEFORE YOU BEGIN

Before installing the shower please read these instructions carefully to familiarise yourself with the required tools, materials and installation sequences. Please leave these instructions for the consumer after installation. Refer to the separate care and maintenance guide for important care and cleaning information.

Ensure that the shower tray and wall, if applicable, are completely finished prior to installing your shower door and return. Follow all warnings, cautions and instructions contained in this guide.



SAFETY

1. ENGLEFIELD strongly recommends that a minimum of TWO persons install this enclosure due to the weight of the door panels.
2. Toughened safety glass cannot be cut. Risk of injury or product damage.
3. Wear protective footwear when lifting panels.
4. Wear safety glasses when drilling.

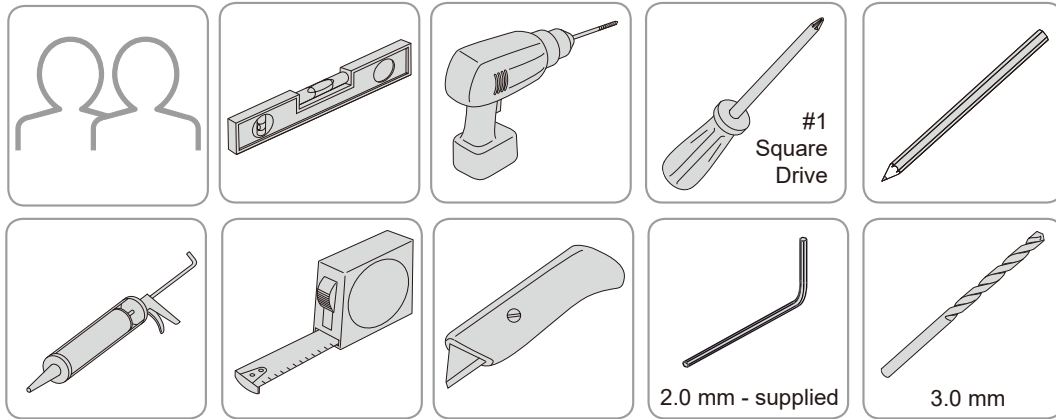


ATTENTION

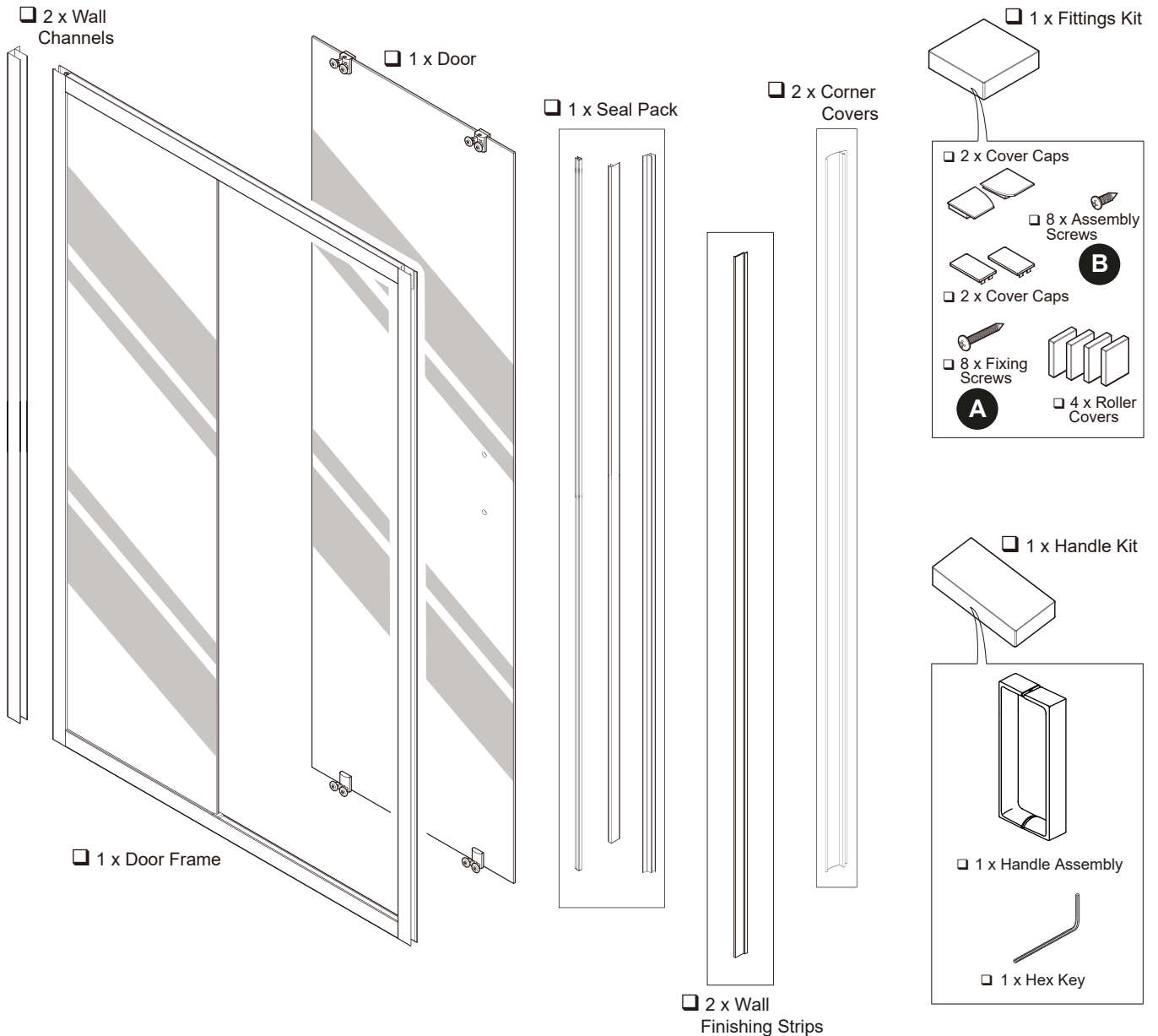
1. The wall retainers must be installed onto a waterproof, vertical and flat wall surface. Failure to do so will result in an unsatisfactory seal, which may cause property damage. The wall inclination (out of squareness) is recommended to be out by no more than **+/- 4mm/m**.
2. Please install this door onto an ENGLEFIELD Quick - Fit® Low Profile shower tray only, unless installing directly onto tiled walls and floor.
3. Care must be taken when drilling into walls and floors to avoid any hidden pipes or wires.
4. It is the responsibility of the INSTALLER to ensure that the installation complies with council and or local authority by laws.

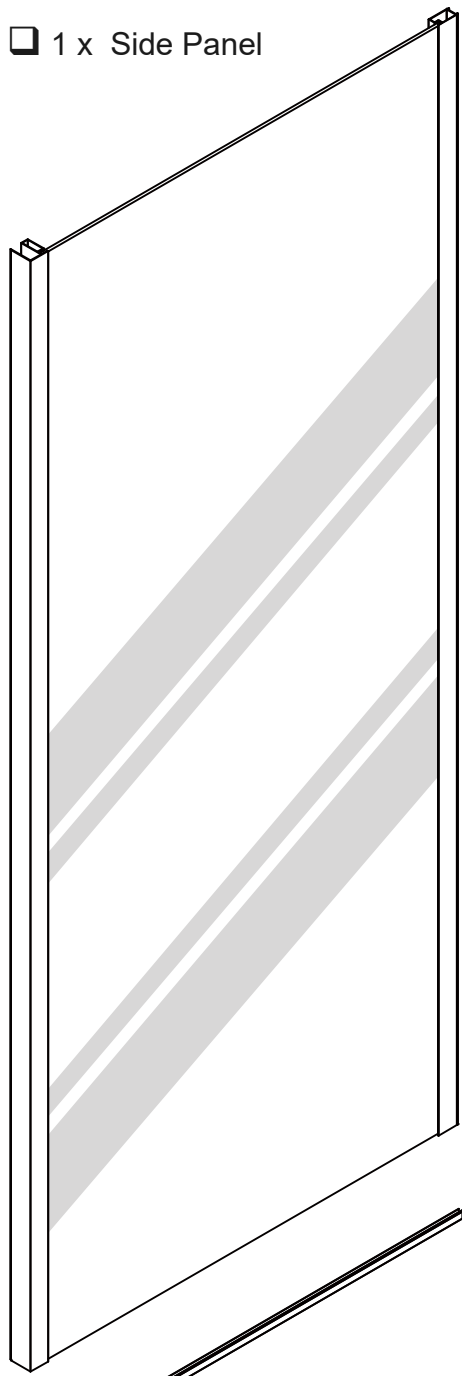
Instructions, drawings, and diagrams contained in this manual present information available at the time of printing. Although every attempt has been made to keep them up-to-date, Englefield reserves the right to implement product changes without further notice.

TOOLS AND MATERIALS REQUIRED



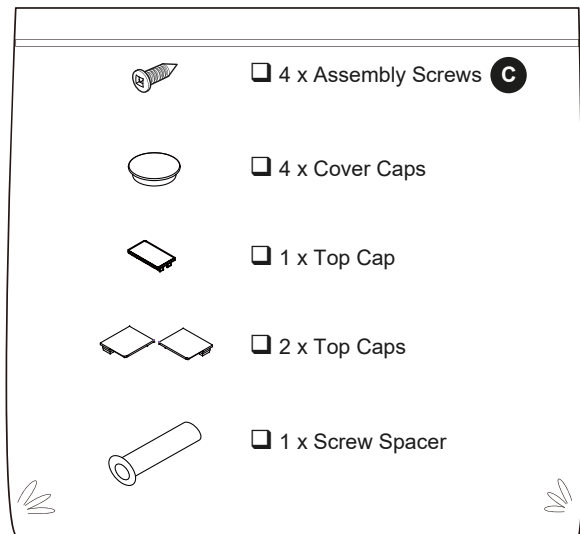
PARTS IDENTIFICATION





☐ 1 x Side Panel

☐ 1 x Drip Strip Extrusion



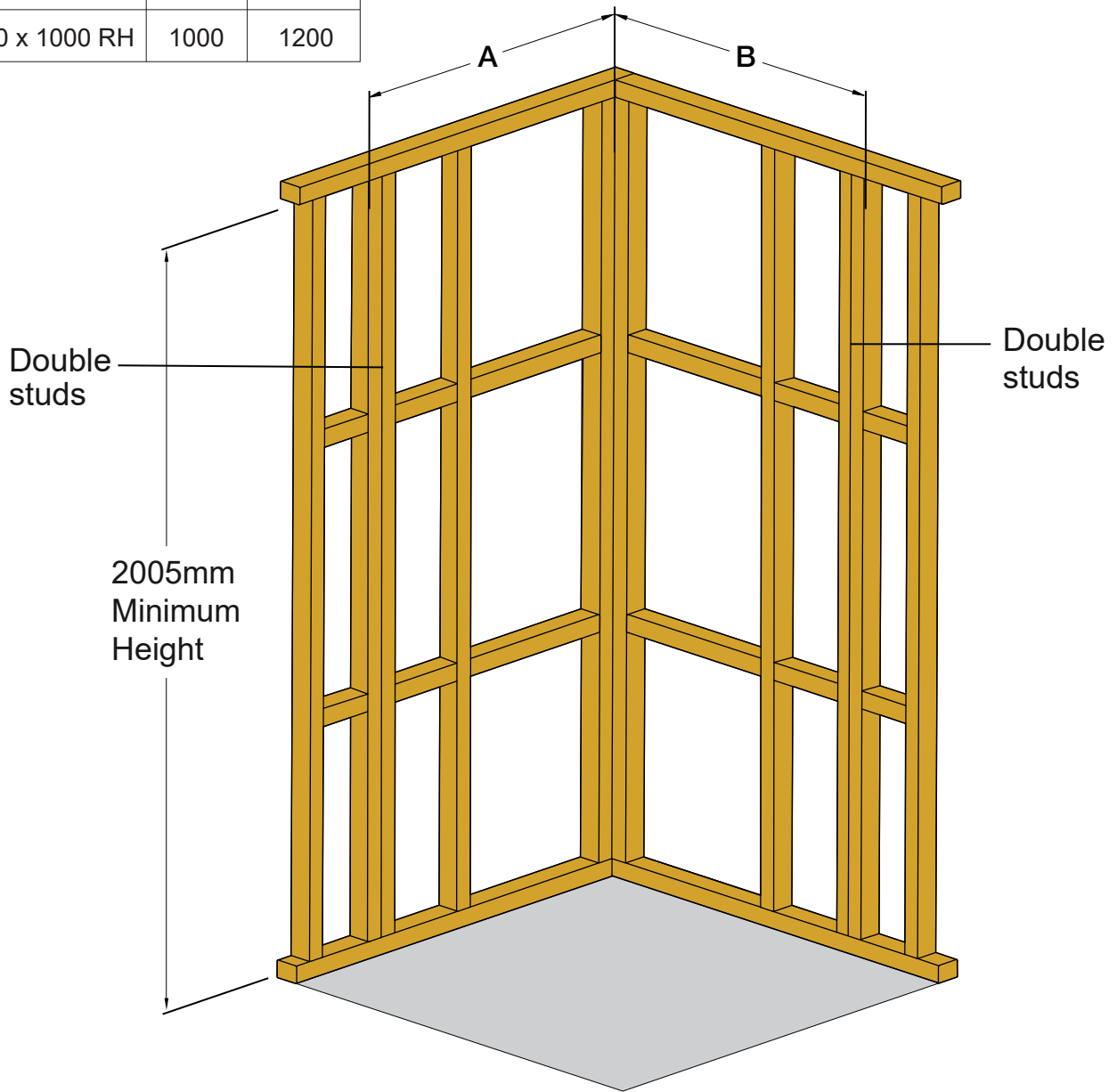
CONSTRUCTION REQUIREMENTS



ATTENTION

Due to the weight of the glass panels Englefield strongly recommends constructing double studs (as below) to fix the wall retainers to.

Size	Dim 'A'	Dim 'B'
1200 x 900 LH	1200	900
1200 x 900 RH	900	1200
1200 x 1000 LH	1200	1000
1200 x 1000 RH	1000	1200



INSTALLATION - Options

OPTION 1 - Acrylic Wall & Tray

Tray: For tray installation refer to the instructions supplied with the tray.

Wall: For wall installation refer to the instructions supplied with the wall.

- Proceed to Door and Return Installation.

OPTION 2 - Tiled Wall & Acrylic Tray

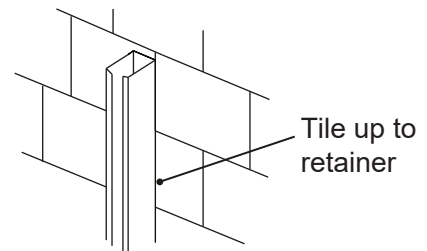
Tray: For tray installation please refer to the instructions supplied with the tray.

Wall:

- The vertical wall retainers **MUST** be installed onto the waterproof membrane **PRIOR TO WALL TILING**. If possible the complete door system should be installed onto the waterproof membrane prior to wall tiling.

CAUTION: Failure to install the wall retainers first may mean the door system may not fit on the shower tray due to the tile thickness.

- If not installing the complete door system prior to tiling, install the wall retainers and tiles. The retainer cover extrusion can be inserted after tiling - there is no need to leave a tiling gap. Refer to image.



- Proceed to Door and return installation.

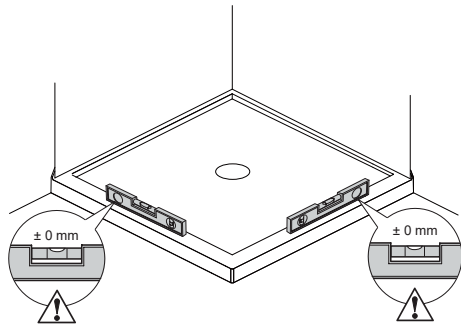
OPTION 3 - Tiled Wall & Floor

- The door and return can be installed directly onto the wall and floor tiles.

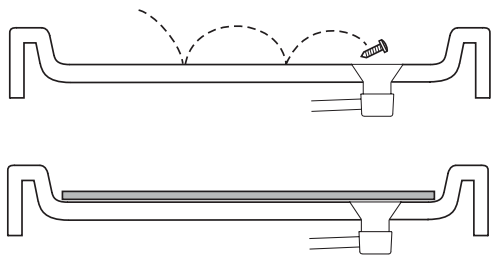
- Proceed to Door and Return Installation.

INSTALLATION

1



Caution: Ensure tray or tiled floor is level & walls are vertical & square.

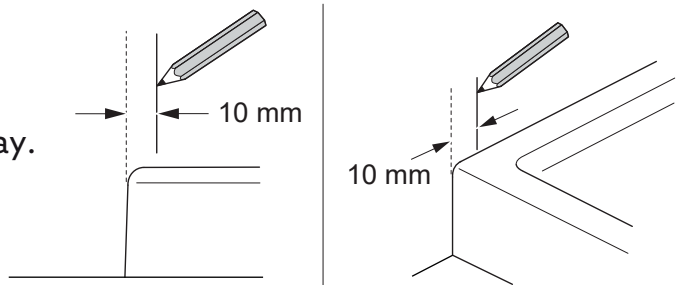


Tip: Cover the waste to prevent the loss of small parts. If installing onto a tray protect the tray surface during installation.

(a) Mark the locations of the wall retainers.

For tray base option:

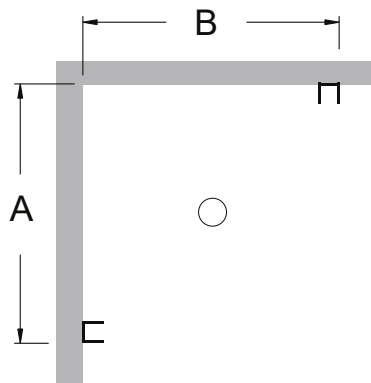
- Mark 10mm in from top edge of tray.



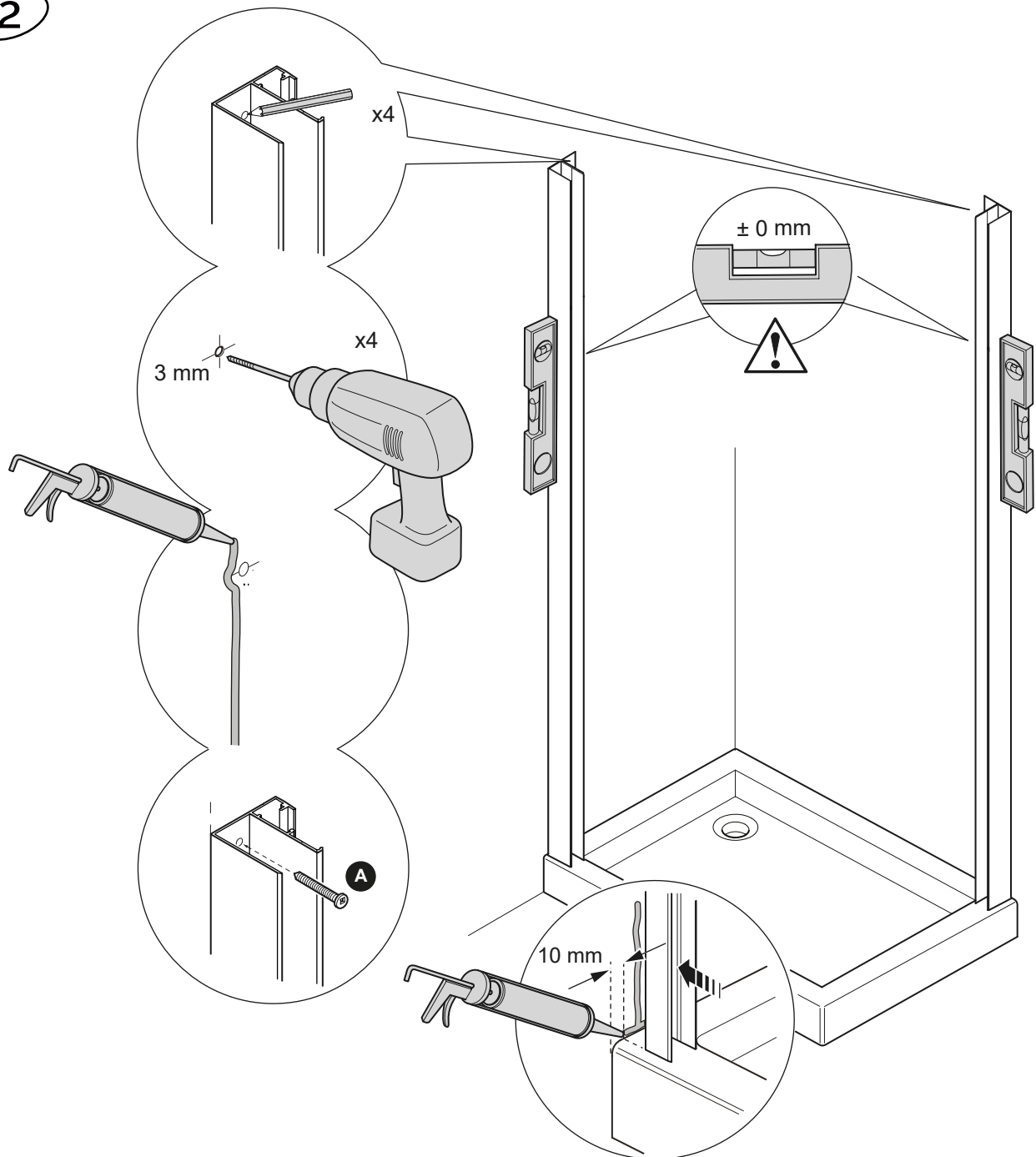
For tiled base option:

- Mark from finished wall to outer edge of retainer.

Size	A	B
1200 x 900 LH	1175	875
1200 x 900 RH	875	1175
1200 x 1000 LH	1175	975
1200 x 1000 RH	975	1175

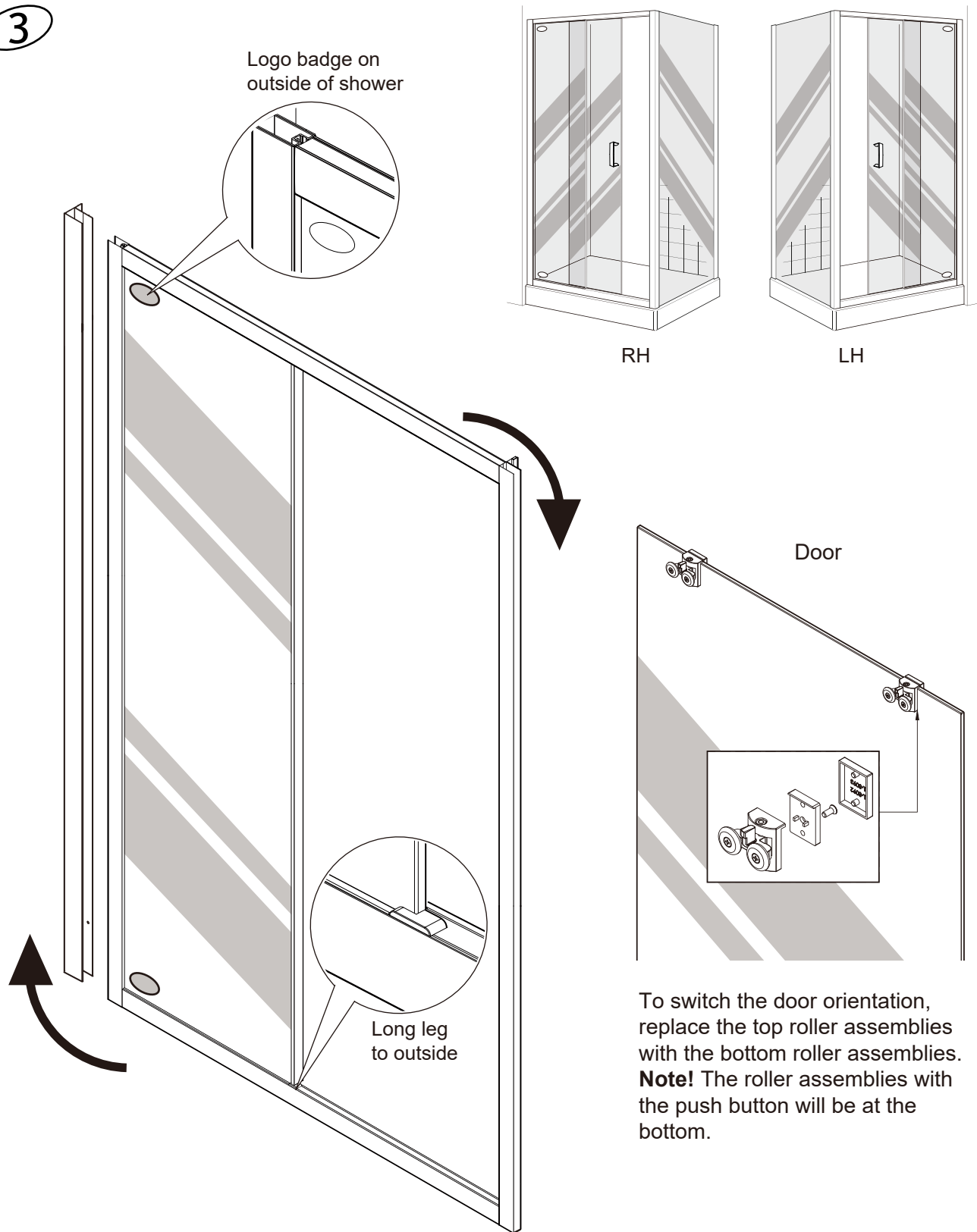


2



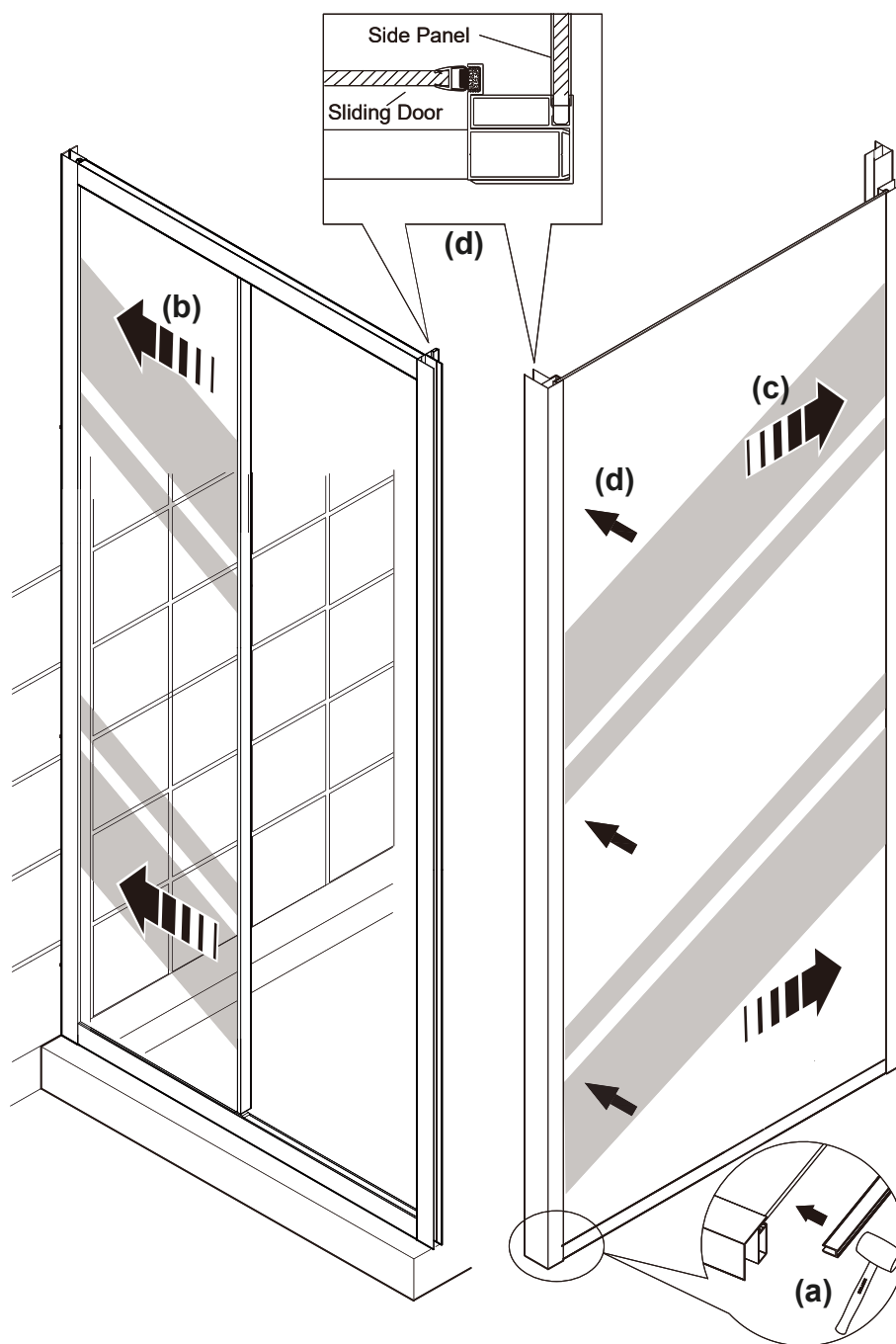
- (a) Position the wall channels on the wall. The short leg should face inside the shower enclosure. Using a level, ensure that the channels are upright.
- (b) Mark the position of the fixing holes down the centre of the channels, then remove the wall channels. **Note! The wall channel is not fitted at this stage.**
- (c) Drill with a 3mm bit. For other types of wall structure, alternative fixings may be required (not supplied).
- (d) Apply silicone sealant along the length of the wall and at the bottom where the wall channel will be placed, including the top of the tray.
- (e) Position the wall channels on the wall and install the fixing screws **A**.
- (f) Fully tighten the fixing screws, making sure that the wall channels are upright.

3



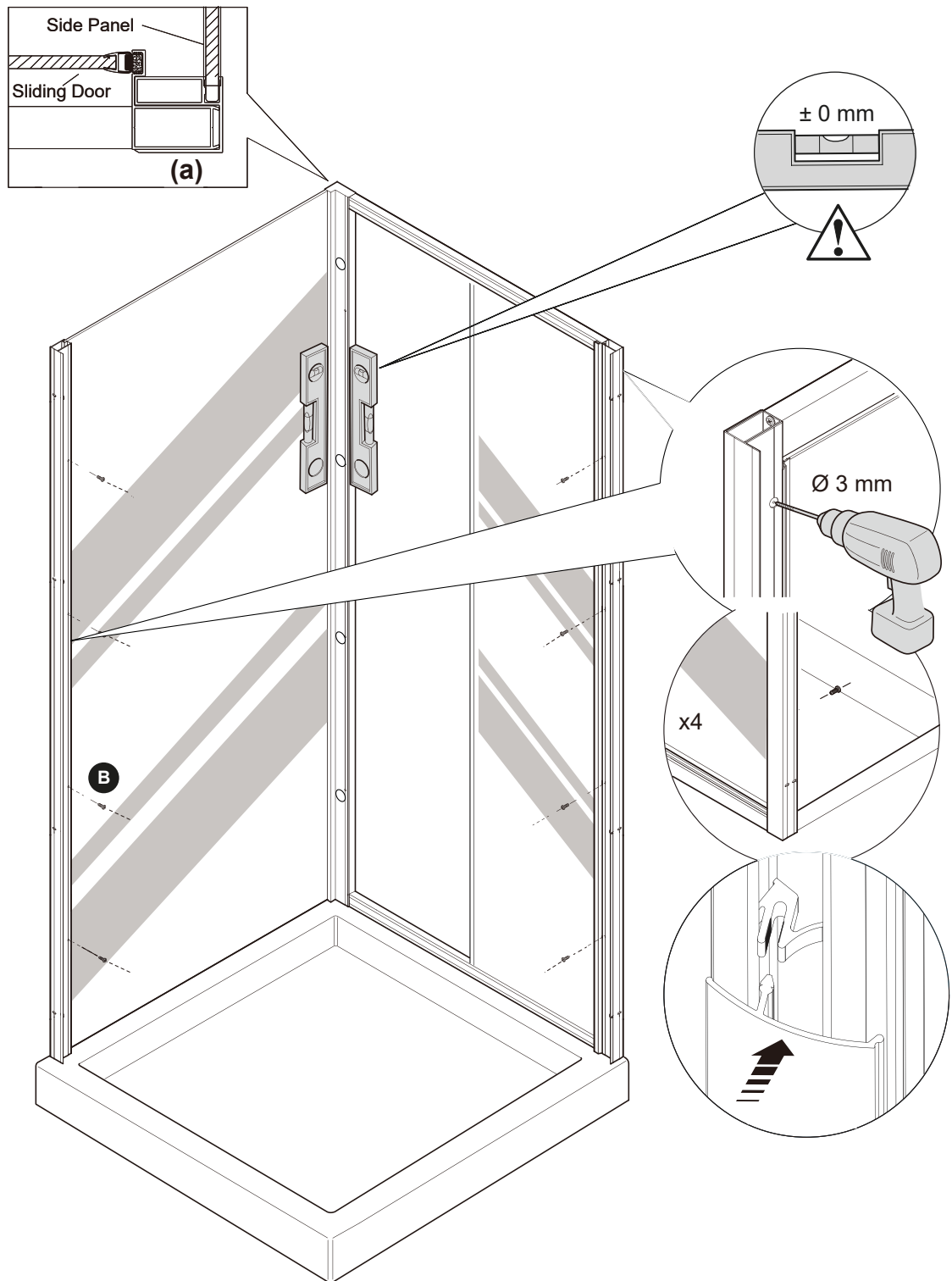
- (a) The sliding door can be either a LH or RH opening. To change the opening simply rotate the frame through 180° before continuing with the installation.
Note! if you rotate the frame, then you will need to rotate the door so that the handle holes are in the correct position. You may also need to swap the roller assemblies around (the rollers with screw adjustment need to be at the top).

4



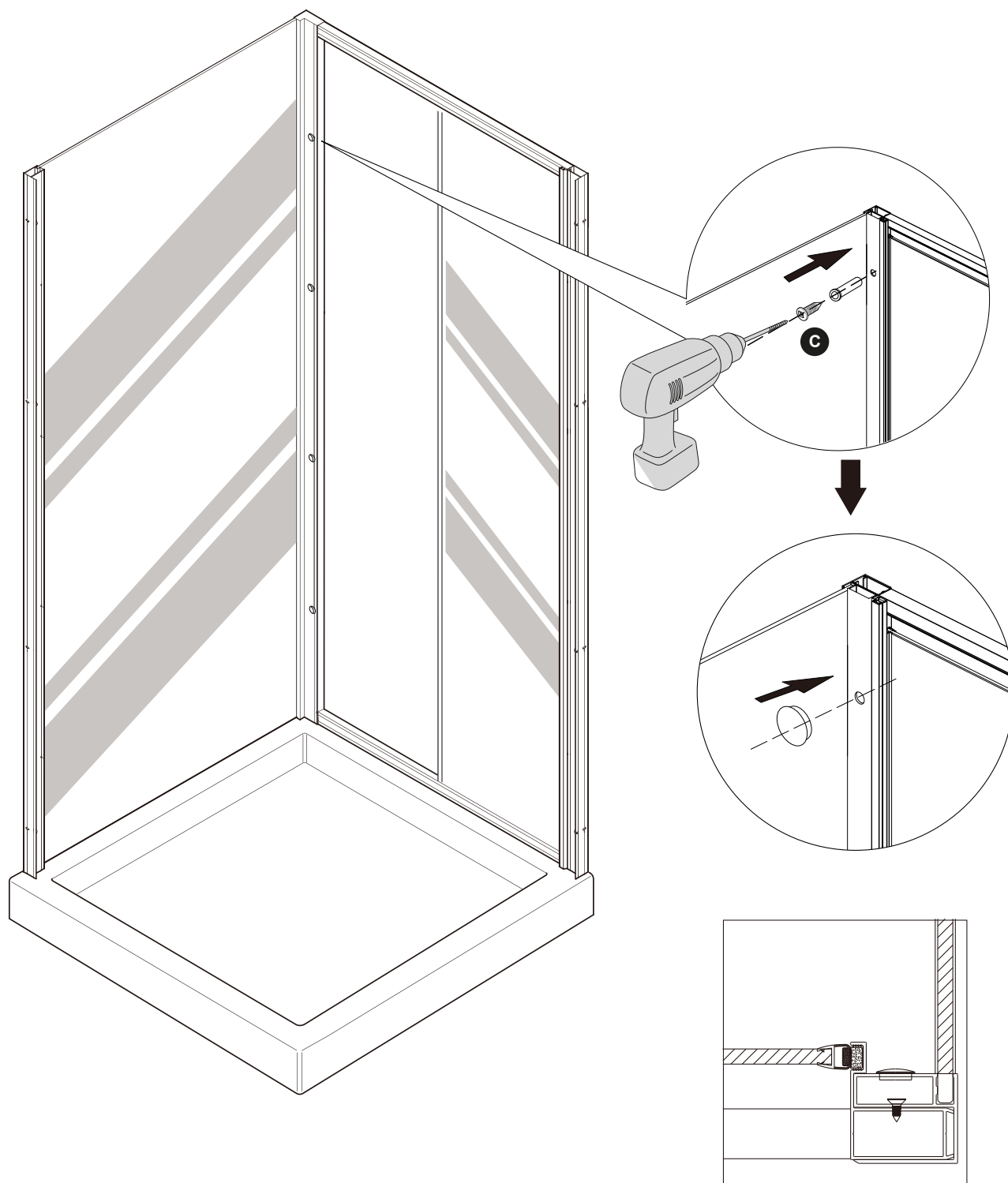
- (a)** The door orientation denotes the direction of the side panel. Once the door is in its correct orientation, fit the drip strip extrusion to the bottom edge of the side panel. Gently tap extrusion into place with a rubber mallet.
- (b)** Install the door frame into the wall channel.
- (c)** Install the side panel into the other wall channel.
- (d)** Fit the corner posts together, ensuring that the door and side panel engage correctly.

5



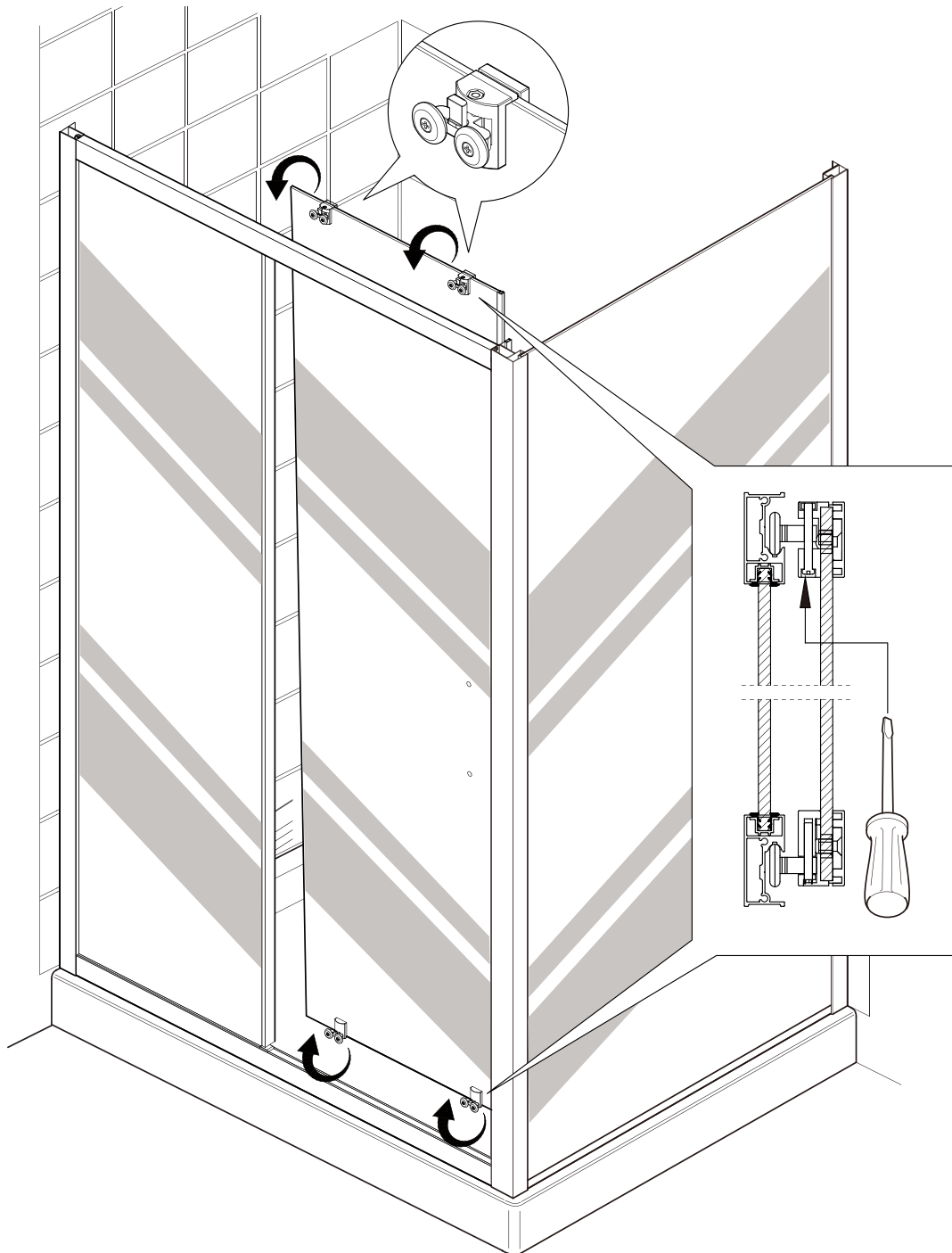
- (a) If frame adjustment is required, **keep corner post assembly fitted tightly together** and carefully slide the frame (door and/or side panel) out from the wall channels.
- (b) From the inside of the enclosure, drill four holes in the door frame through the centre marked points on the wall channel with a 3 mm HSS drill (not supplied).
- (c) Install and tighten the wall channel assembly screws **B**.
- (d) Repeat the process for the other wall channel.
- (e) Fit the corner covers to the wall channels. They should 'snap' into place.

6



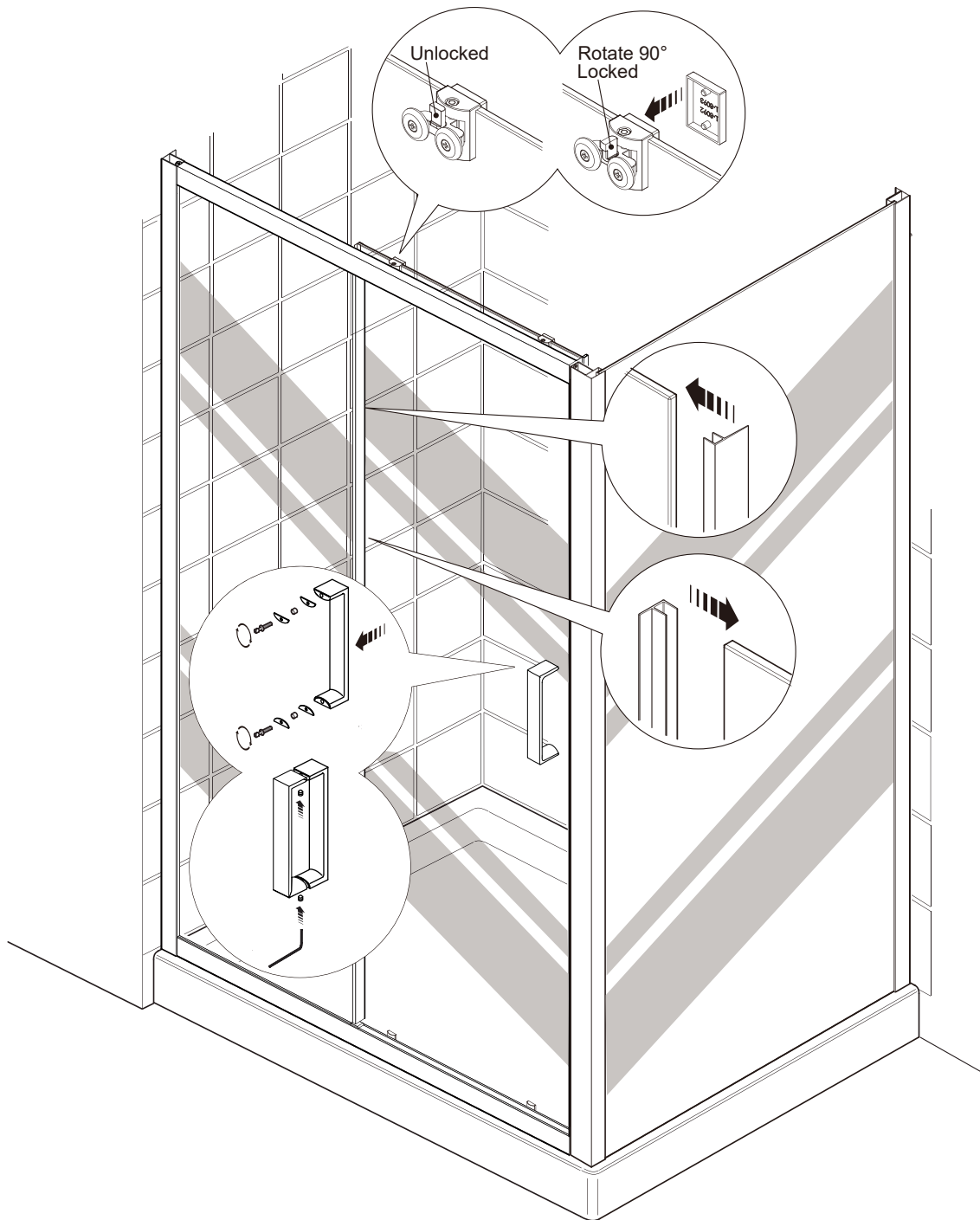
- (a) Use the Screw Spacer to install screws **C** into the four corner post holes, then tighten. The Screw Spacer is to help prevent losing screws within the corner post assembly.
- (b) Fit the screw cover caps over the screwheads.

7



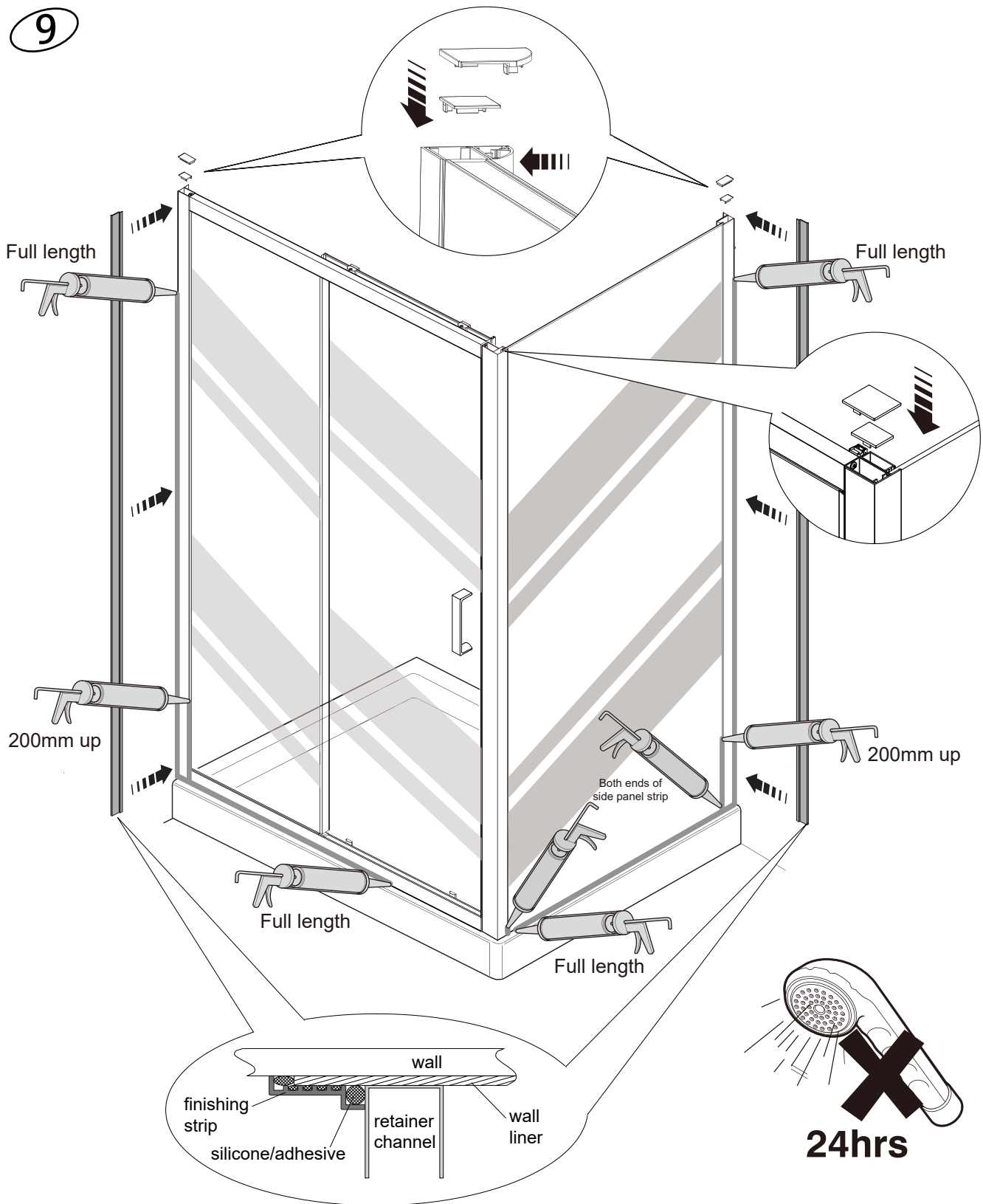
- (a) Hang the door onto the top rail.
Note ! Make sure that the top rollers have adjusting screws facing downwards.
- (b) Loosen the top rollers with the adjusting screw until the bottom rollers easily clip into the bottom rail.
- (c) Finally, tighten the roller adjustment to give an even, smooth action when the door is opened and closed.

8



- (a) Install the door handle, ensuring the grub screws are on the underside.
- (b) Fit the seals to the door and the fixed panel.
- (c) Lock the top roller assemblies in position by turning the lock through 90°.
- (d) Fit the roller covers.

9



- (a) Fit the caps to the top of the extrusions. Add silicone or modify caps to fit if required.
- (b) Apply sealant along the outside surfaces of the enclosure.
- (c) Install the wall finishing strips, if desired.
- (d) Allow the silicone sealant to cure for 24 hours before use.

- Installation complete -

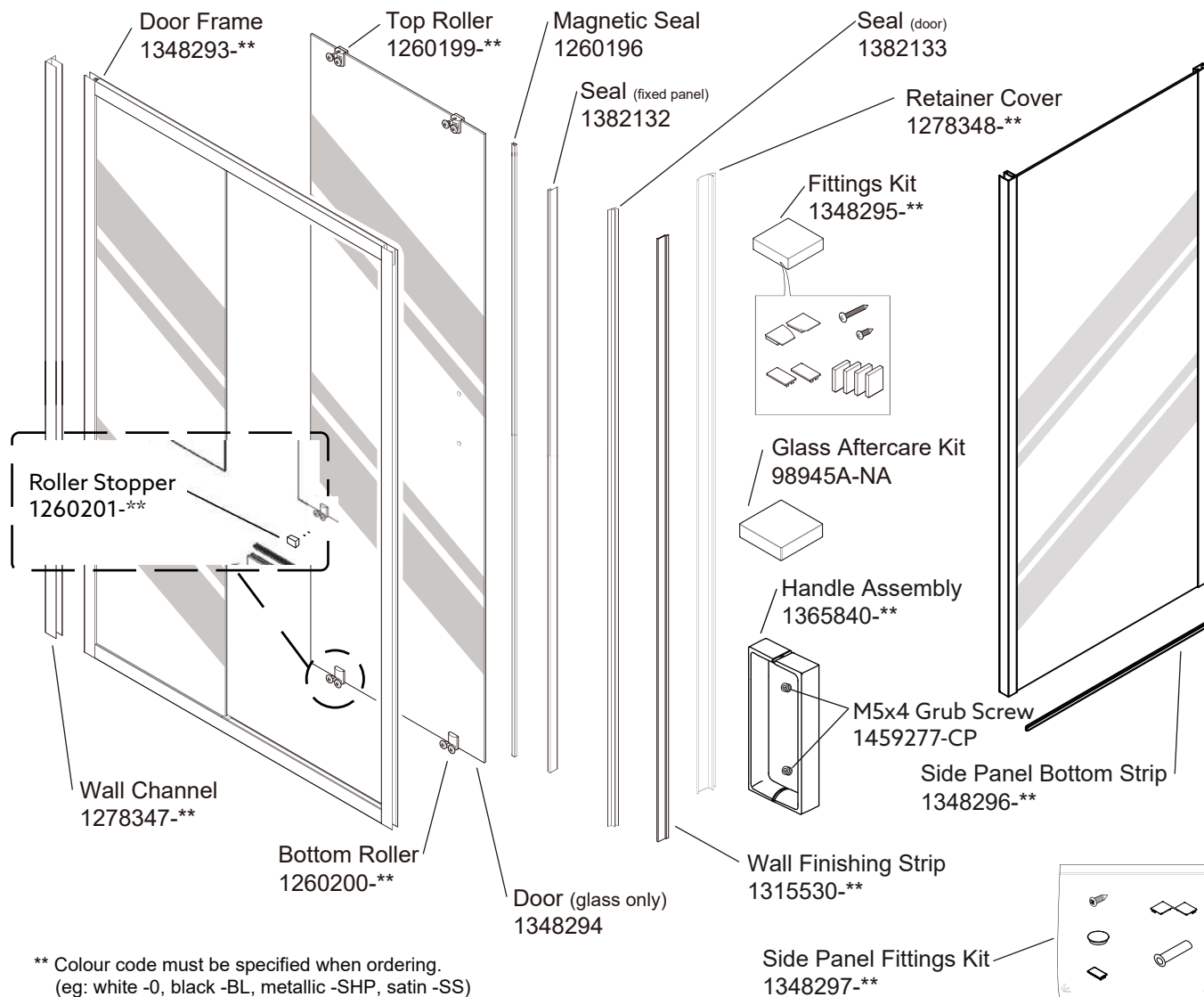
CLEANING AND MAINTENANCE INSTRUCTIONS

Please refer to the homeowners guide and our website for cleaning instructions.

SPARE PARTS



Scan the QR barcode on the packaging or underside of top caps to identify the product SKU and date of manufacture.



CONTACT AND WARRANTY INFORMATION

NEW ZEALAND

Kohler New Zealand Limited

0800 100 382

info@englefield.co.nz

englefield.co.nz

AUSTRALIA

englefield.com

