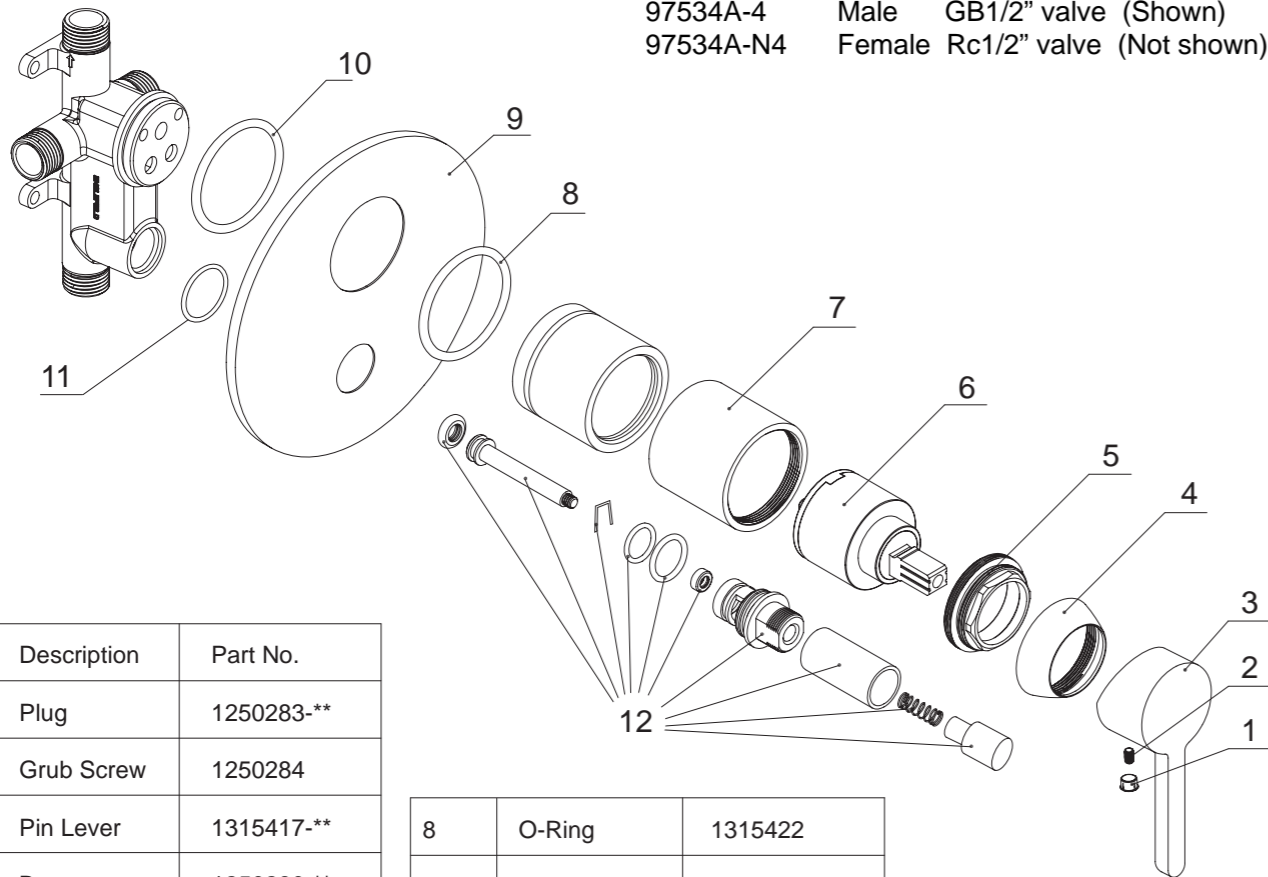


SPARE PARTS LIST



97534A-4 Male GB1/2" valve (Shown)
 97534A-N4 Female Rc1/2" valve (Not shown)

No.	Description	Part No.
1	Plug	1250283-**
2	Grub Screw	1250284
3	Pin Lever	1315417-**
4	Bonnet	1250280-**
5	Nut	1250282
6	Cartridge	1372777
7	Outer sleeve	1315420-**

8	O-Ring	1315422
9	Face Plate	1329225-**
10	O-Ring - Mixer	1329226
11	O-Ring - Div	1329227
12	Diverter Kit	1250351-**

** Please specify a colour when ordering:
 -CP (Chrome)
 -BN (Brushed nickel)
 -BL (Matte Black)

CLEANING INSTRUCTIONS

All Finishes: Clean the finish with mild soap and warm water. Wipe entire surface completely dry with a clean soft cloth. Many cleaners may contain such chemicals as ammonia, chlorine, toilet chemicals etc. which could adversely affect the finish and are not recommended for cleaning.

Do not use abrasive cleaners or solvents on Englefield tapware.

CONTACT AND WARRANTY INFORMATION

NEW ZEALAND
 KOHLER NZ LTD

Free Ph: 0800 100 382
 Free Fax: 0800 664 488
 www.engagefield.co.nz

AUSTRALIA
 KOHLER CO.

Free Ph: 1 800 ENGLEFIELD
 (1 800 364 533)
 www.engagefield.com



INSTALLATION INSTRUCTIONS



TAPWARE

STUDIO Pin Lever Shower & Bath Mixer

97534A-4
 97534A-N4



BEFORE YOU BEGIN

All information is based on the latest product information available at the time of publication. ENGLEFIELD reserves the right to make changes in product characteristics, packaging, or availability at any time without notice.

Please leave this installation guide for the consumer as it contains important information.

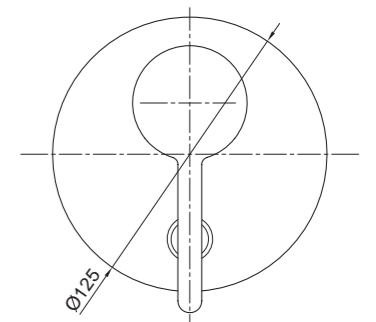
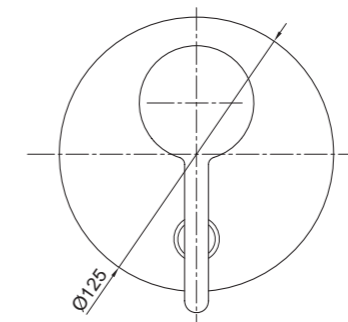
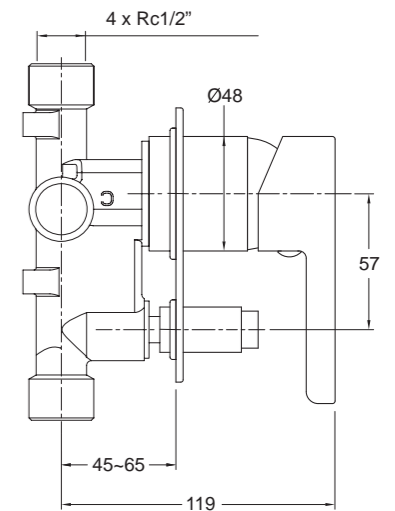
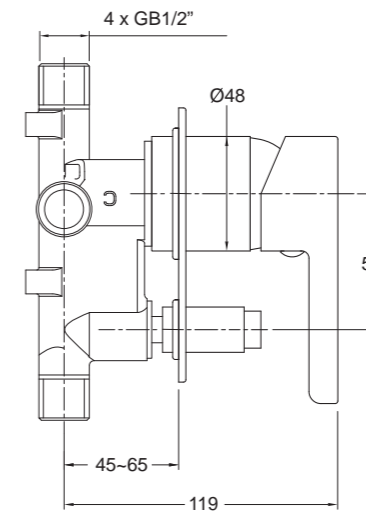
NOTES:

1. Flush the water supply pipes thoroughly to remove debris.
2. Ensure all local plumbing codes are observed.
3. Optimum working pressure: 100kPa to 500kPa.
4. Minimum working pressure: 75kPa.
5. Maximum working pressure: 800kPa.
6. If pressure exceeds 500kPa, a pressure limiting valve must be installed.
7. All installations should comply with the relevant requirements of AS/NZS 3500.

ROUGH-IN

97534A-4 (Male GB1/2" connections)

97534A-N4 (Female Rc1/2" connections)



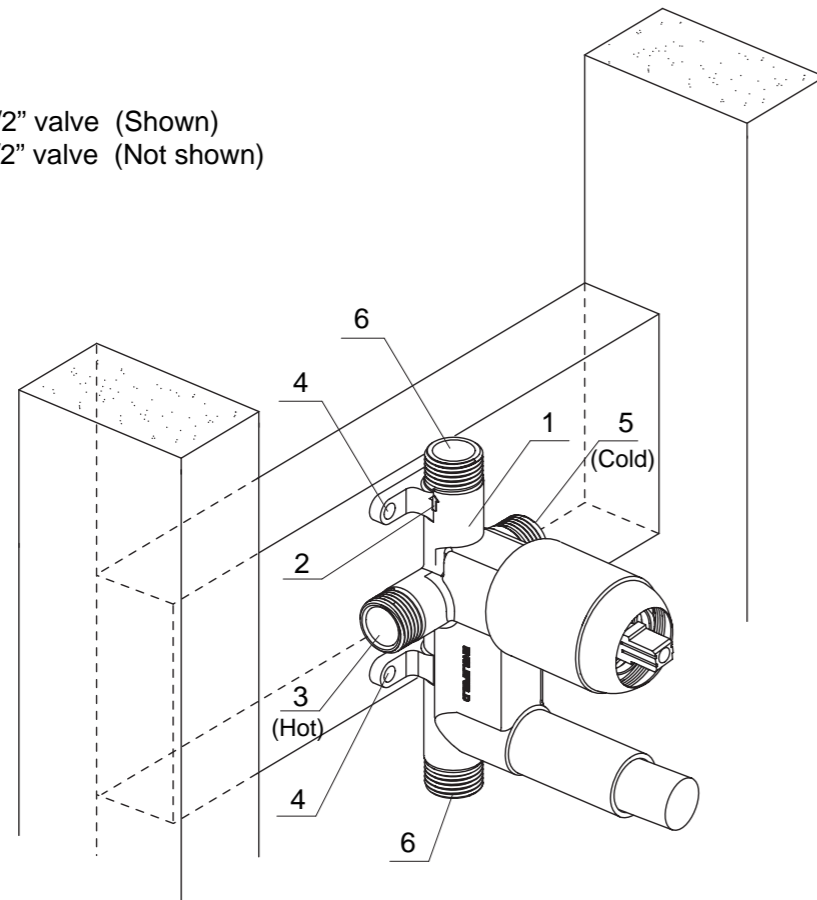
If you are building a bathroom from scratch, giving your bathroom a makeover or just replacing an old tap, Englefield can provide a solution for you.

INSTALLATION - IN-WALL VALVE

NOTE: DO NOT DISCARD THE PLASTIC GUARDS UNTIL THE FINISHED WALL HAS BEEN COMPLETED.

- 1.) Determine where the in-wall valve(1) will be located in the wall.
- 2.) Construct a suitable nog for mounting the in-wall valve. Ensure the nog is level and at the correct depth.
Note: Distance of the inlet centres from finished wall: 45-65mm.
- 3.) Ensure the arrow mark(2) on the valve body is pointing up. Fix the in-wall valve body onto the nog through at least two of the lugs(4). (Fixing screws not supplied).
- 4.) There are two valve connection types available: **Male GB1/2"** and **Female Rc1/2"**.
Make sure you have the correct version for your setup and connect the water supply pipes to the inlets(3)(5)*. **Note:** Hot inlet(3) is on the left, cold inlet(5) is on the right.
- 5.) Connect pipes from outlets(6)* to shower head and to bath spout, as required.

* Male GB1/2" valve (Shown)
Female Rc1/2" valve (Not shown)

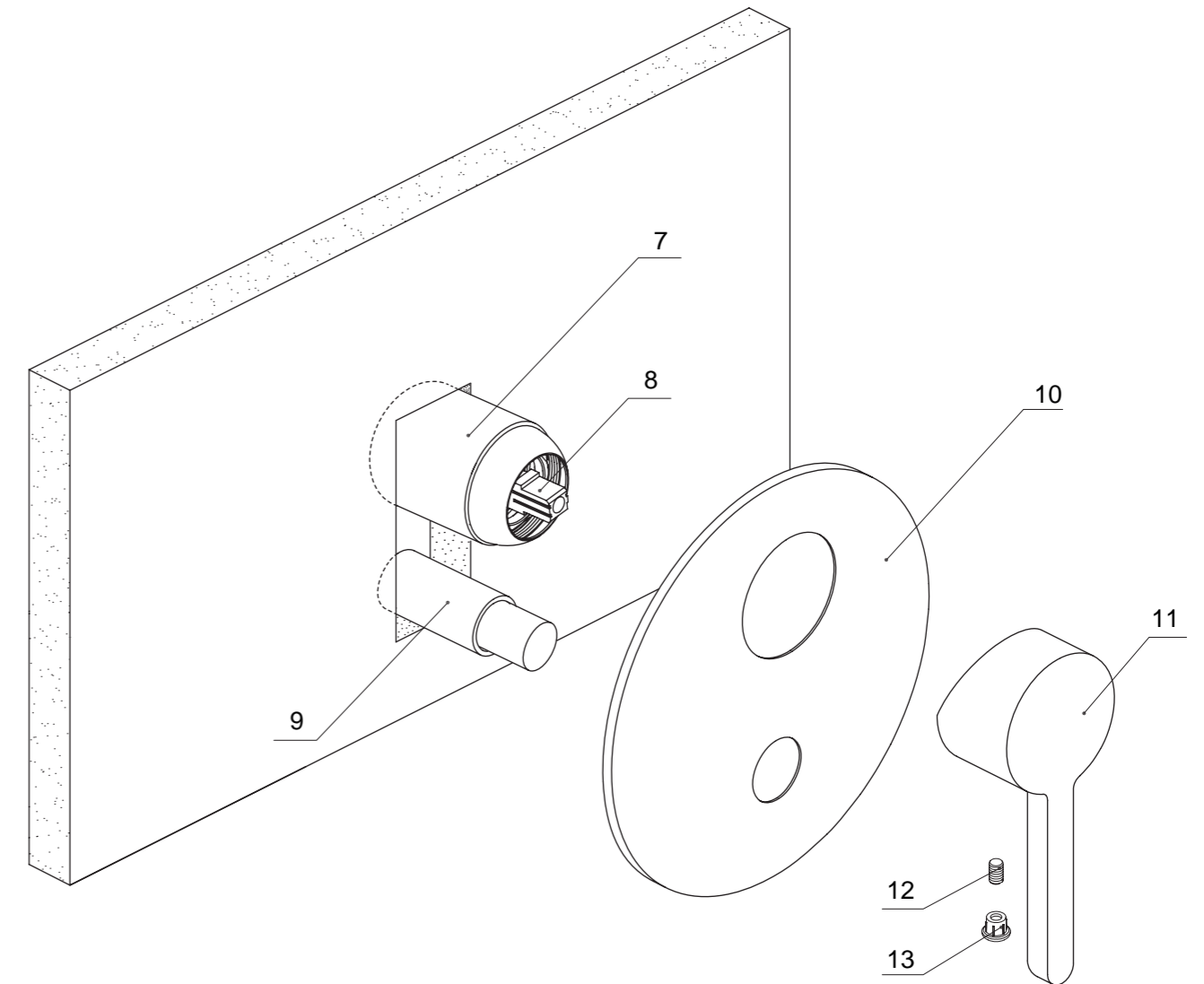


INSTALLATION CHECKOUT

- 1.) Ensure that all connections are tight. Remove plastic guards and ensure the cartridge is in the off position.
- 2.) Turn on the main water supply and check for leaks. Repair as needed.
- 3.) Replace plastic guards and ensure the main water supply is turned off.

INSTALLATION - FINISHED WALL

- 1.) Install the finished wall up to the plastic guards.



INSTALLATION - TRIM KIT

- 1.) After the finished wall has been completed remove the plastic guards.
- 2.) Apply a bead of silicone to the rear of the faceplate(10). Slide the faceplate onto the valve body(7) and diverter(9), ensuring that the drainage cutout is pointing down, and push it firmly against the wall.
- 3.) Install the pin lever(11) onto the cartridge(8) and tighten the grub screw(12) with the hex key (Supplied).
- 4.) Insert the plug(13) into the pin lever.