

INSTALLATION INSTRUCTIONS



TAPWARE | STUDIO MASTERFLOW® SHOWER MIXER TRIM 35336A

BEFORE YOU BEGIN:

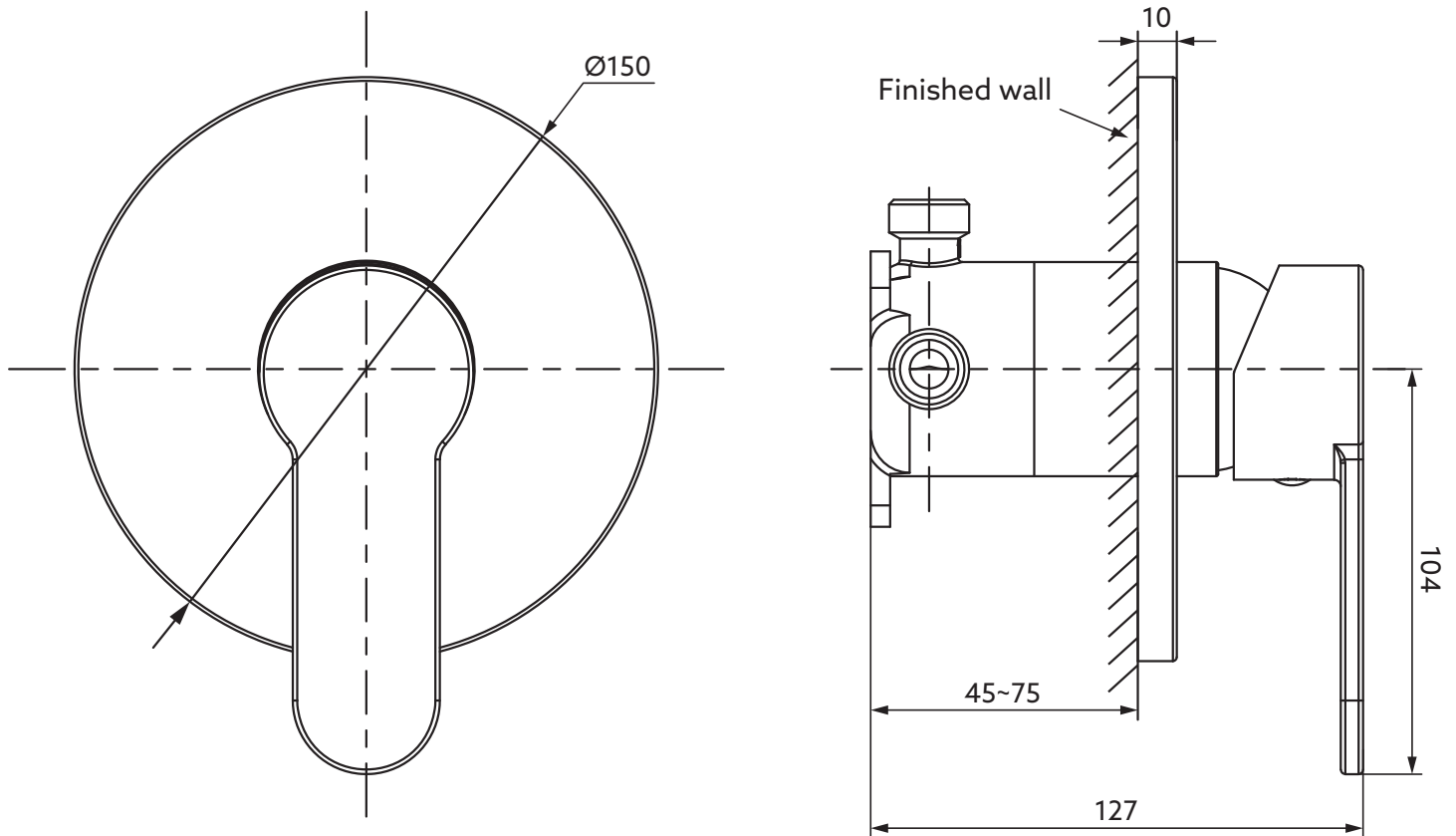
All information is based on the latest product information at the time of publication. ENGLEFIELD reserves the right to make changes in product characteristics, packaging, or availability at any time without notice.

Please leave this installation instruction for the consumer as it contains important information.

Notes:

1. Do not remove the plastic sleeve guard from the shower mixer valve until instructed to.
2. Observe all local plumbing and building codes.

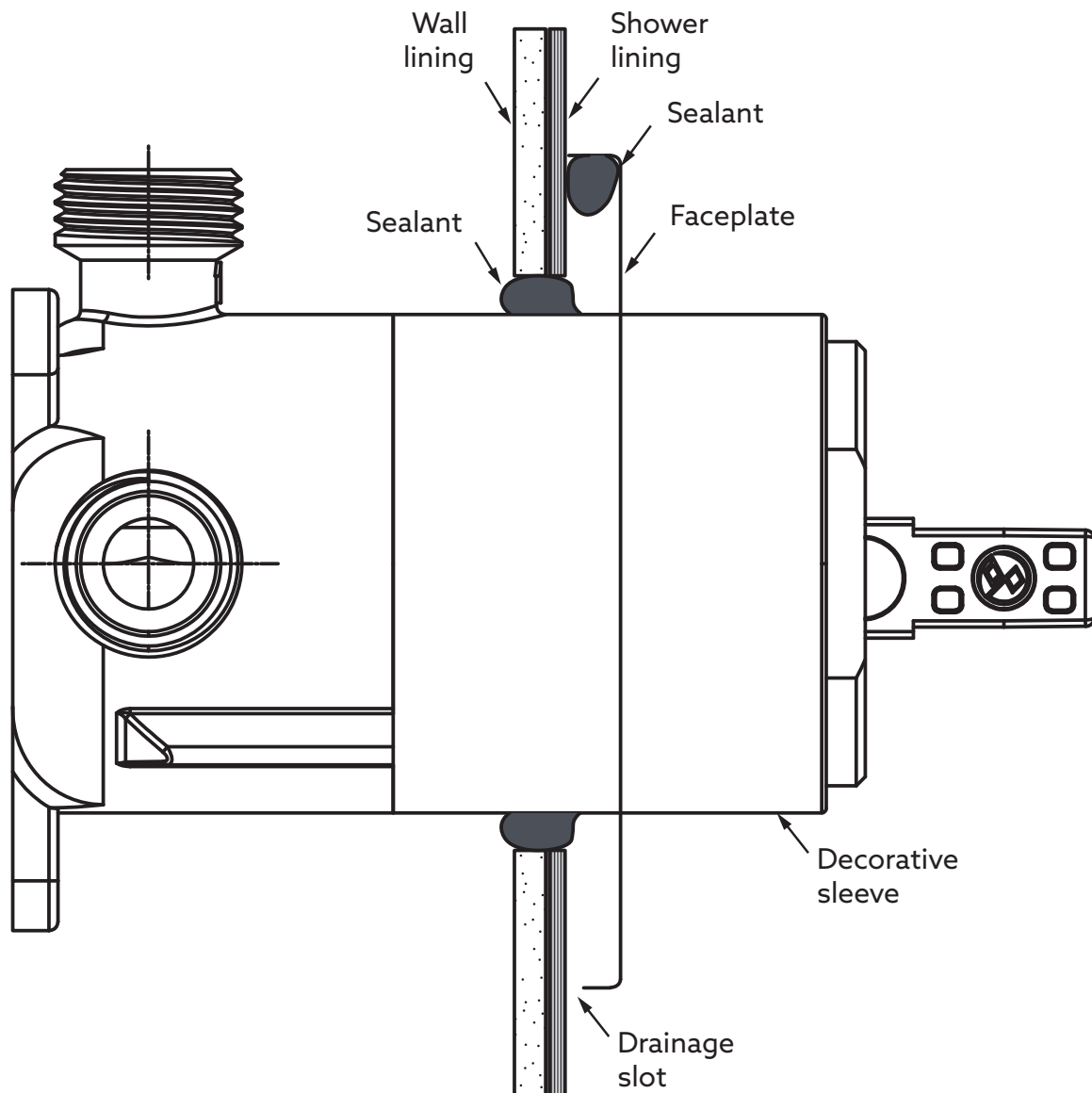
ROUGH-IN:



All dimensions in mm

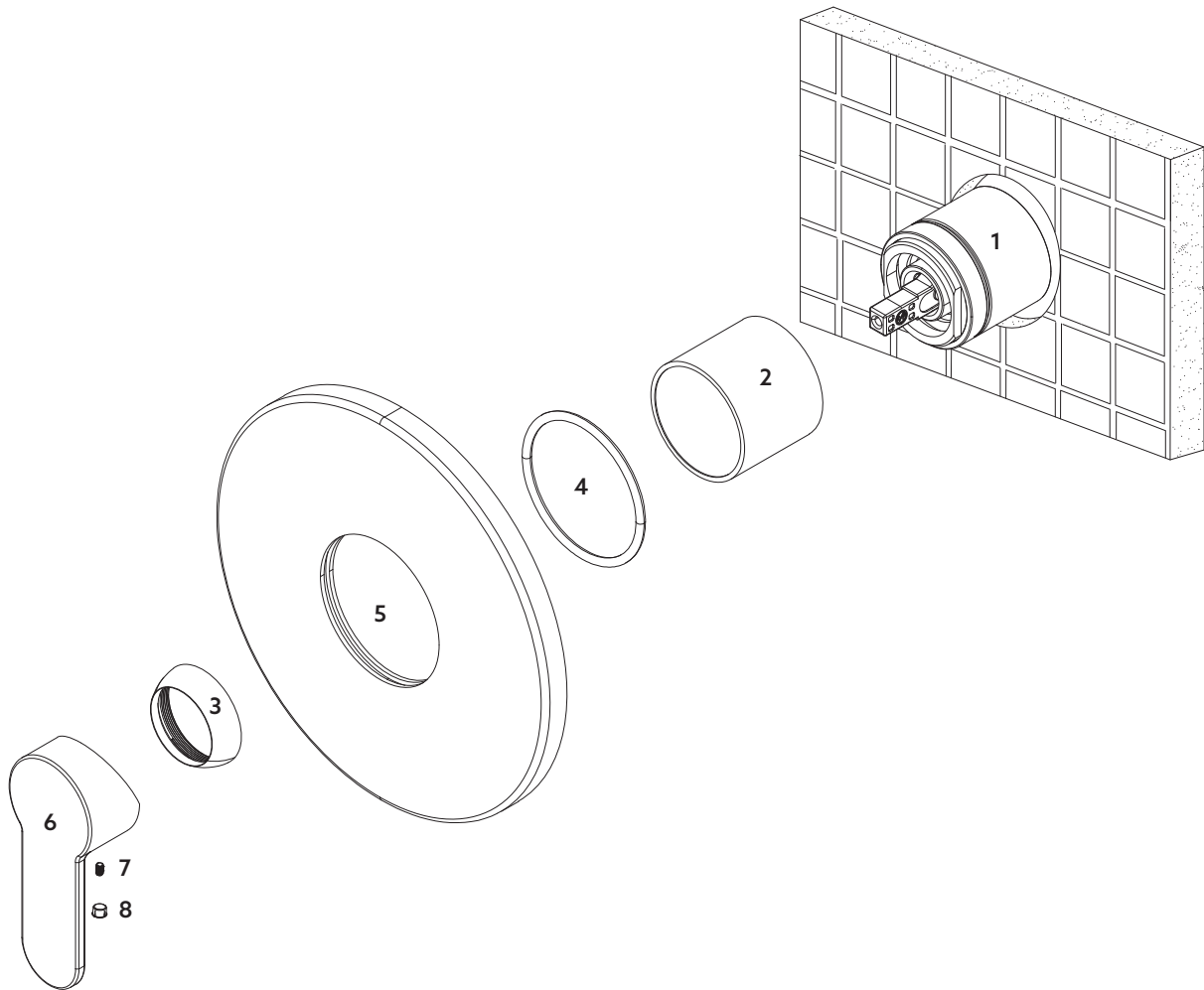
INSTALLATION:

1. Remove plastic sleeve guard from the shower mixer valve (1).
2. Install the decorative sleeve (2) onto the shower mixer valve. Take care not to damage the O ring. Screw on the bonnet (3).
3. Waterproof with sealant between the decorative sleeve and the wall lining & the shower lining (e.g. tile, acrylic sheet etc) to stop water penetration into the interior wall.
4. Check the O ring (4) is correctly installed in the faceplate (5). Apply sealant inside the perimeter of the faceplate as shown below, leaving a gap at the bottom for drainage.



INSTALLATION-Continued:

5. Slide the faceplate onto the shower mixer valve. Ensure the drainage slot in the faceplate is at the bottom.
6. Install the handle (6) onto the shower mixer valve and tighten the grub screw (7). Insert the button (8) into the hole.

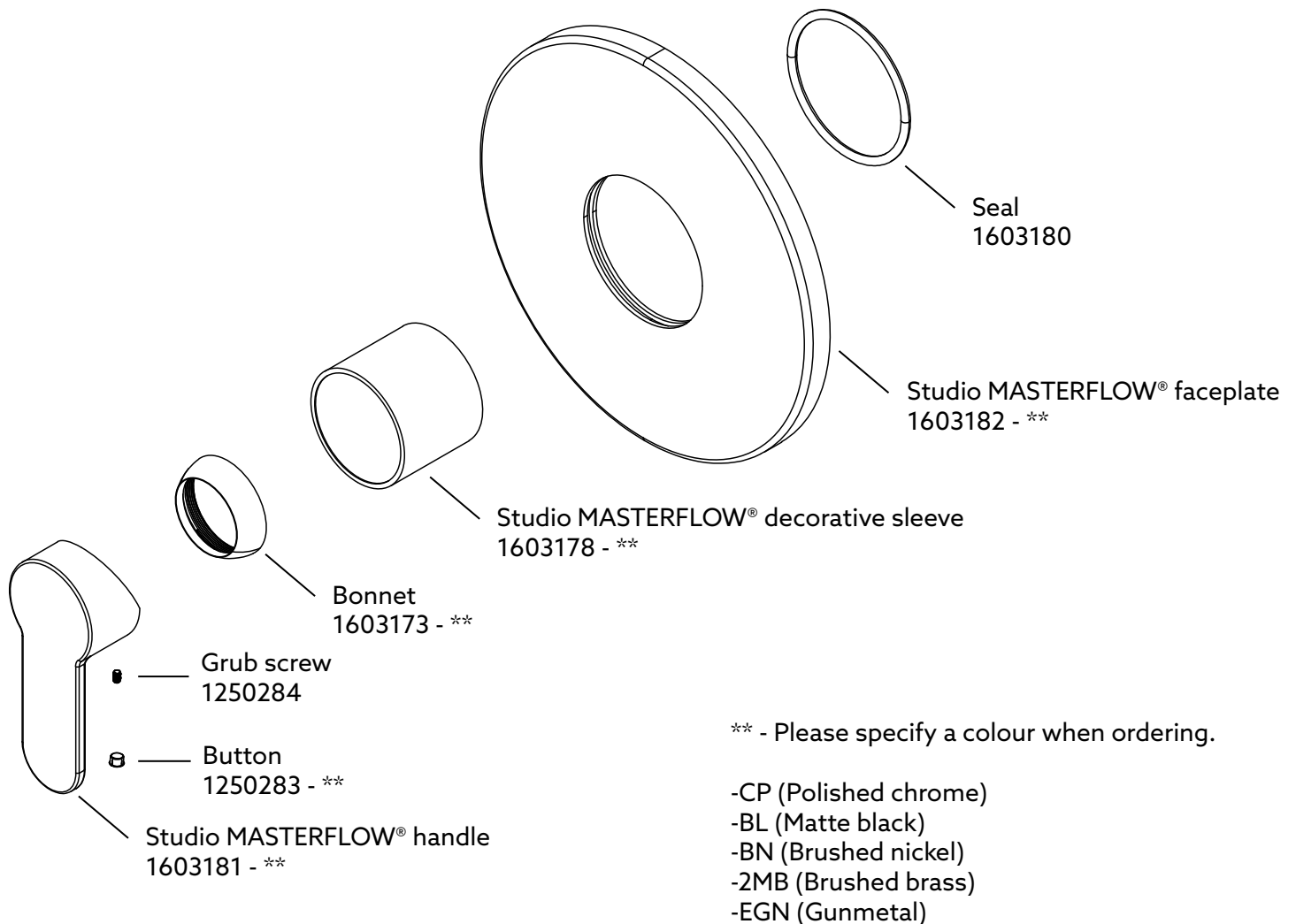


CLEANING INSTRUCTIONS:

All Finishes: Clean the finish with mild soap and warm water. Wipe entire surface completely and dry with clean soft cloth. Many cleaners may contain chemicals, such as ammonia, chlorine, etc, which could adversely affect the finish and are not recommended for cleaning.

Do not use abrasive cleaners or solvents on Englefield tapware and fittings.

SPARE PARTS LIST:



CONTACT AND WARRANTY INFORMATION:

NEW ZEALAND
KOHLER NZ LTD

AUSTRALIA

0800 100 382
 info@englefield.co.nz
 englefield.co.nz

englefield.com

For warranty information, please visit our website.

