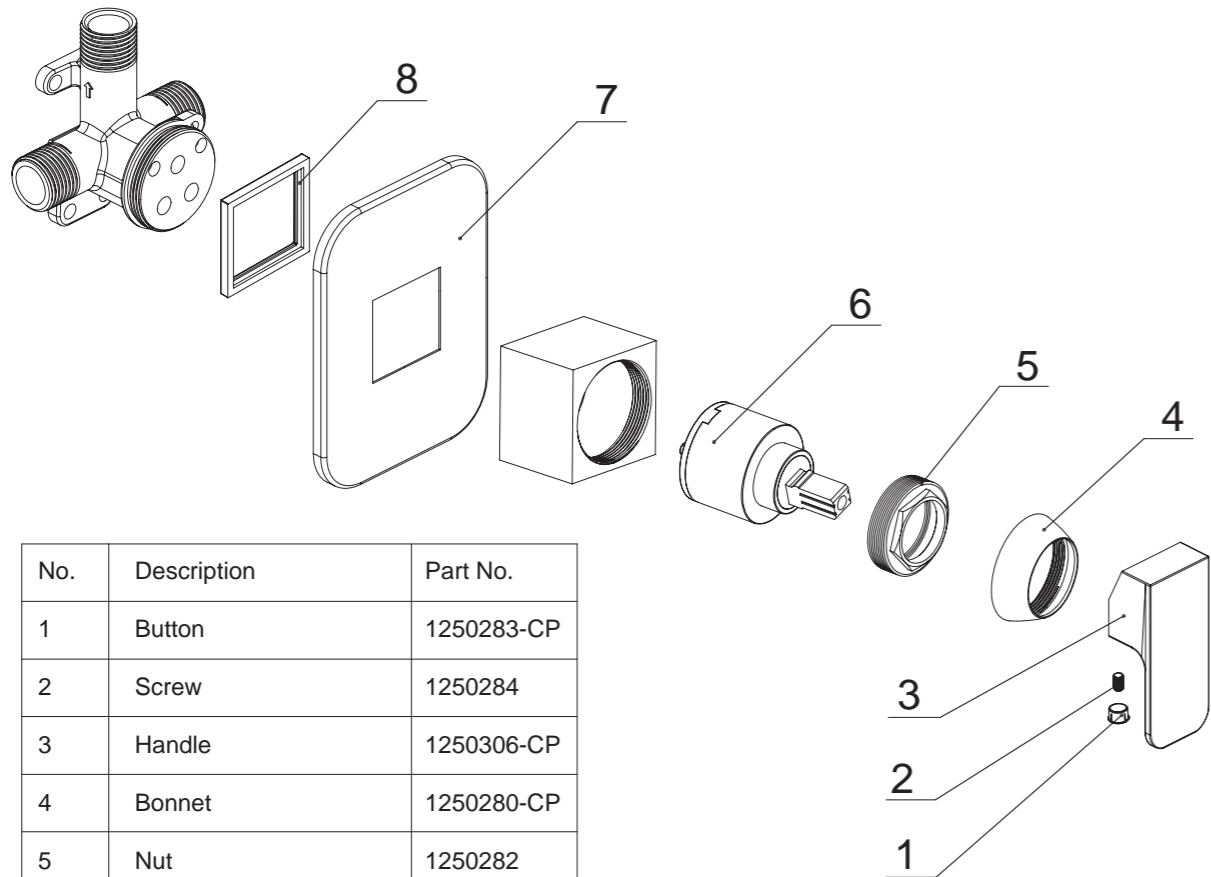


SPARE PARTS LIST



No.	Description	Part No.
1	Button	1250283-CP
2	Screw	1250284
3	Handle	1250306-CP
4	Bonnet	1250280-CP
5	Nut	1250282
6	Cartridge	1372777
7	Face Plate	1250345-CP
8	Lining Ring	1250349

CLEANING INSTRUCTIONS

All Finishes: Clean the finish with mild soap and warm water. Wipe entire surface completely dry with a clean soft cloth. Many cleaners may contain such chemicals as ammonia, chlorine, toilet chemicals etc. which could adversely affect the finish and are not recommended for cleaning.

**Do not use abrasive cleaners or solvents on Englefield tapware.**

CONTACT AND WARRANTY INFORMATION

**NEW ZEALAND**  
KOHLER NZ LTD

Free Ph: 0800 100 382  
Free Fax: 0800 664 488  
www.engagefield.co.nz

**AUSTRALIA**  
KOHLER CO.

Free Ph: 1 800 ENGLEFIELD  
(1 800 364 533)  
www.engagefield.com



**For warranty information, please visit our website**

# INSTALLATION INSTRUCTIONS



TAPWARE

MILANO Shower or Bath Mixer

97516A-CP



BEFORE YOU BEGIN

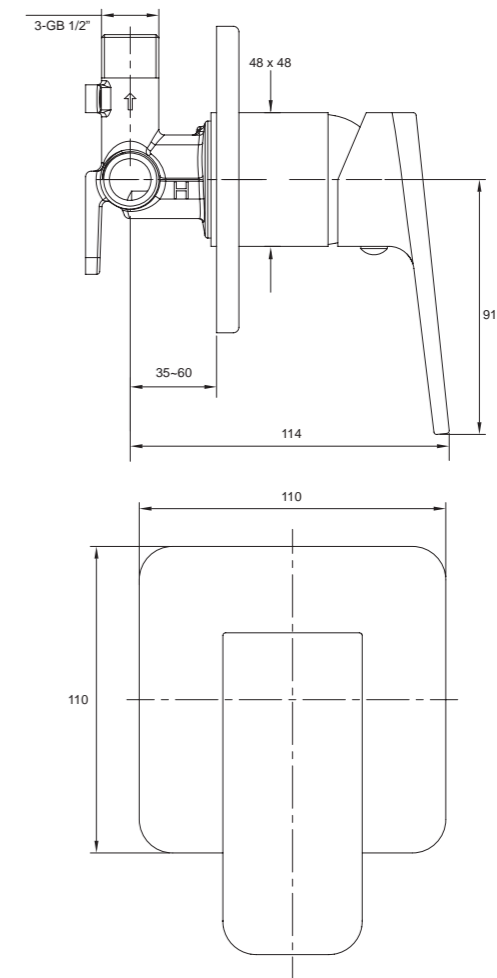
All information is based on the latest product information available at the time of publication. ENGLEFIELD reserves the right to make changes in product characteristics, packaging, or availability at any time without notice.

**Please leave this installation guide for the consumer as it contains important information.**

NOTES:

1. Flush the water supply pipes thoroughly to remove debris.
2. Ensure all local plumbing codes are observed.
3. Optimum working pressure: 100kPa to 500kPa.
4. Minimum working pressure: 35kPa.
5. Maximum working pressure: 800kPa.
6. If pressure exceeds 500kPa, a pressure limiting valve must be installed.
7. All installations should comply with the relevant requirements of AS/NZS 3500.

ROUGH-IN

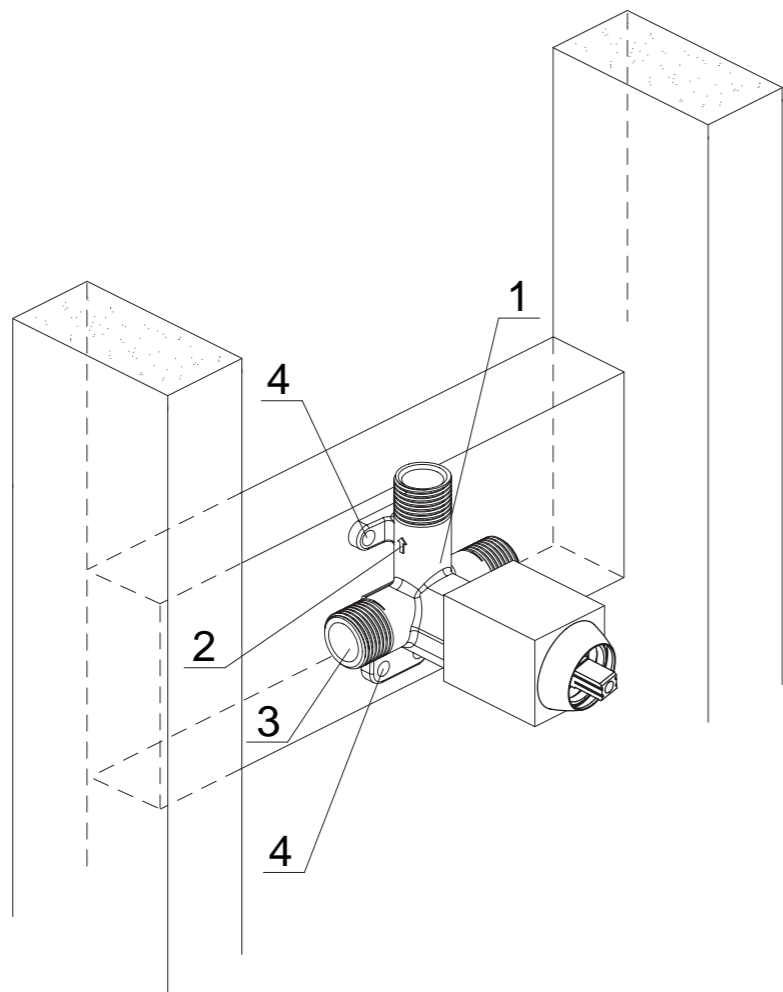


If you are building a bathroom from scratch, giving your bathroom a makeover or just replacing an old tap, Englefield can provide a solution for you.

## INSTALLATION - IN-WALL VALVE

NOTE: DO NOT DISCARD THE PLASTIC GUARD UNTIL THE FINISHED WALL HAS BEEN COMPLETED.

- 1.) Determine where the in-wall valve(1) will be located in the wall.
- 2.) Construct a suitable nog for mounting the in-wall valve. Ensure the nog is level and at the correct depth.  
Note: Distance of the inlet centres from finished wall: 35-60mm.
- 3.) Ensure the arrow mark(2) on the valve body is pointing up. The hot water inlet(3) is on the left. Fix the in-wall valve body onto the nog through at least two of the lugs(4). Note: Fixing screws not supplied.
- 4.) Connect the G1/2" water supply pipes to the inlets. Note: Hot inlet on the left, cold inlet on the right. Connect G1/2" pipe from top outlet to shower head or bath spout, as required.

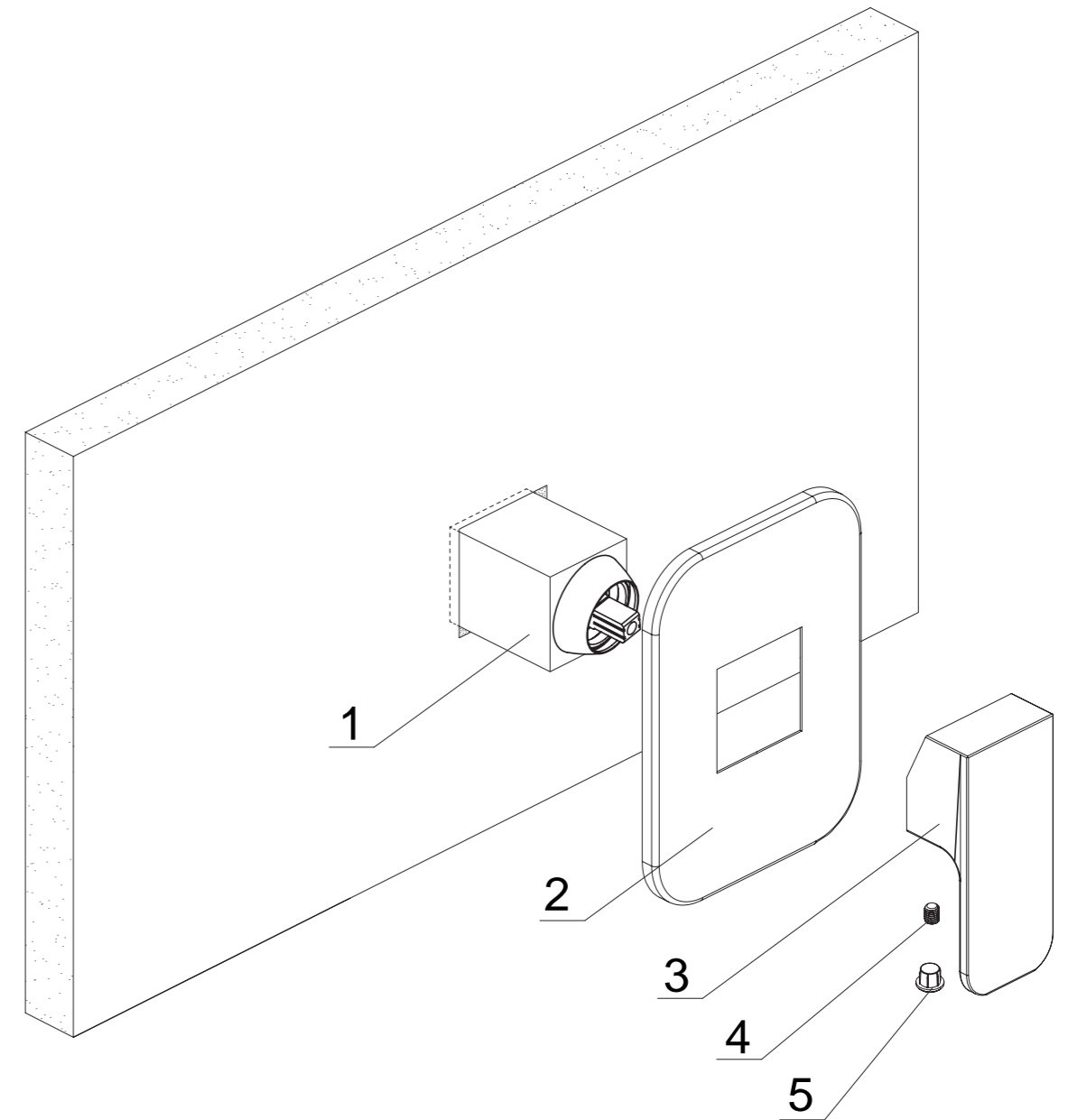


## INSTALLATION CHECKOUT

- 1.) Ensure that all connections are tight. Remove plastic guard and ensure the cartridge is in the off position.
- 2.) Turn on the main water supply and check for leaks. Repair as needed.
- 3.) Replace plastic guard and ensure the main water supply is turned off.

## INSTALLATION - FINISHED WALL

- 1.) Install the finished wall up to the plastic guard.



## INSTALLATION - TRIM KIT

- 1.) Remove the plastic guard after the finished wall has been completed
- 2.) Apply a bead of silicone to the rear of the faceplate(2). Slide the faceplate onto the valve body(1), ensuring that the drainage cutout is pointing down. Push it firmly against the wall.
- 3.) Install the handle(3) on the cartridge and tighten the grub screw(4) with the hex key.
- 4.) Insert the plug button(5) into the handle.