

CLEANING INSTRUCTIONS

All Finishes: Clean the finish with mild soap and warm water. Wipe entire surface completely dry with a clean soft cloth. Many cleaners may contain such chemicals as ammonia, chlorine, toilet chemicals, etc. which could adversely affect the finish and are not recommended for cleaning.

Do not use abrasive cleaners or solvents on Englefield tapware.

CONTACT AND WARRANTY INFORMATION

NEW ZEALAND
 KOHLER NZ LTD

Free Ph: 0800 100 382
 Free Fax: 0800 664 488
 Email: info@englefield.co.nz
www.englefield.co.nz

AUSTRALIA
 KOHLER AUSTRALIA

Free Ph: 1 800 ENGLEFIELD
 (1 800 364 533)
 Email: info@englefield.com
www.englefield.com



Trusted in New Zealand Since 1982

INSTALLATION
INSTRUCTIONS

Trusted in New Zealand Since 1982

TAPWARE

STUDIO BATH SPOUT

97535A-**



BEFORE YOU BEGIN

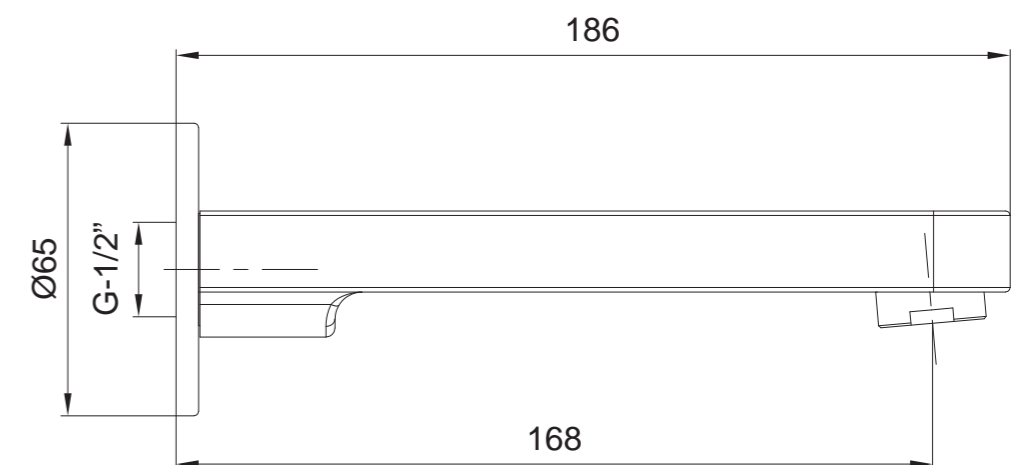
All information is based on the latest product information available at the time of publication. ENGLEFIELD reserves the right to make changes in product characteristics, packaging, or availability at any time without notice.

Please leave this installation guide for the consumer as it contains important information.

Notes:

1. Flush the water supply pipes thoroughly to remove debris.
2. Ensure all local plumbing codes are observed.
3. Recommended working pressure: 100kPa to 500kPa.
4. If pressure exceeds 500kPa, a pressure limiting valve must be installed.
5. All installations should comply with the relevant requirements of AS/NZS 3500.

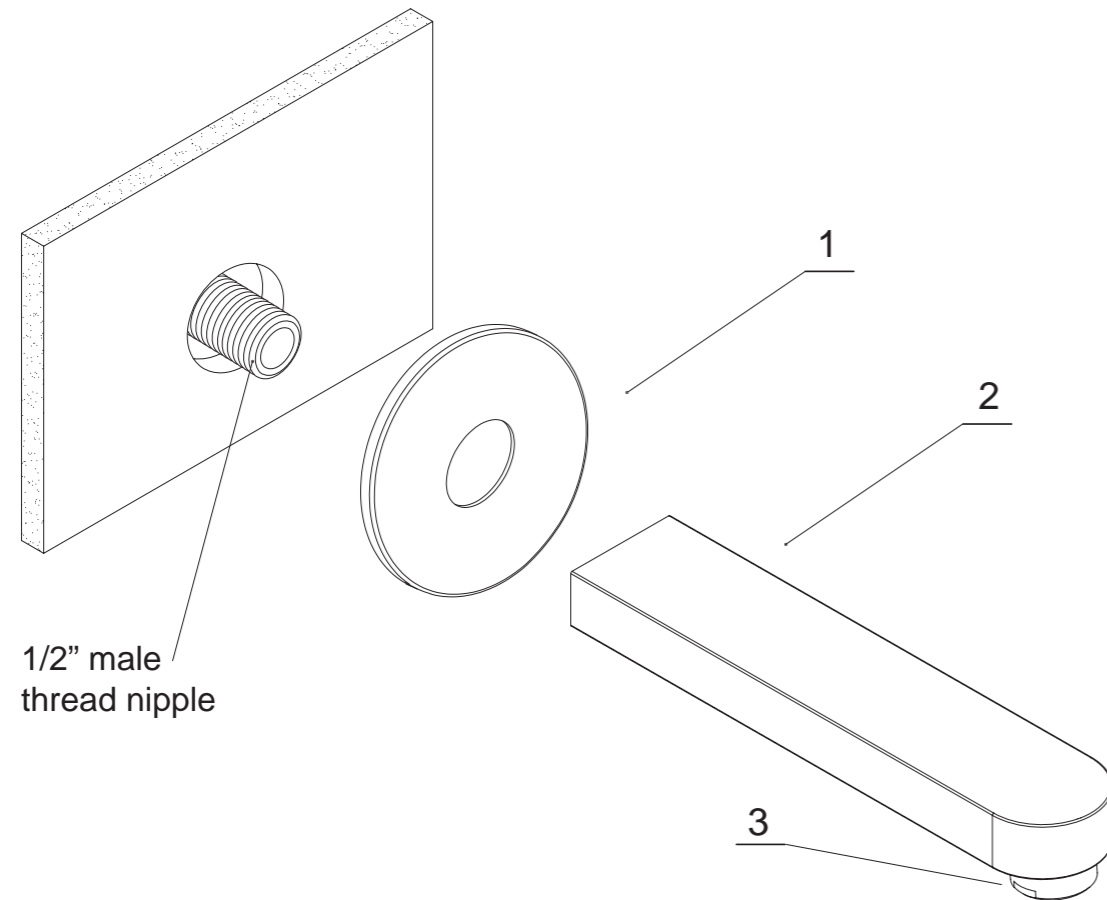
ROUGH-IN



* All measurements shown are in millimeters

INSTALLATION

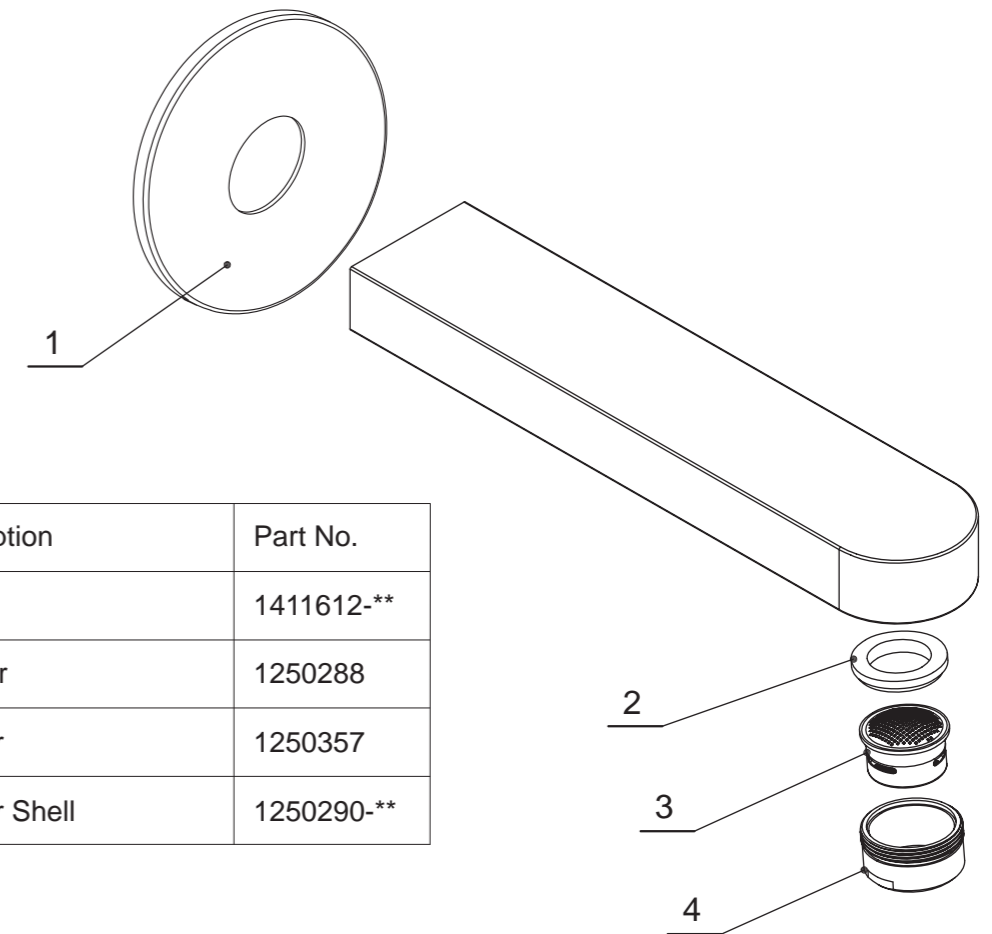
- 1.) Apply the silicon in the groove at the back of base(1).
- 2.) Apply thread sealant tape to the male nipple.
- 3.) Insert the base over the nipple.
- 4.) Screw the spout(2) firmly onto the pipe thread. Adjust as necessary to keep spout level.



INSTALLATION CHECKOUT

- 1.) Ensure that all connections are tight. Ensure that the handle is in the off position.
- 2.) Open the bath drain as necessary. Turn on main water supply and check for leaks. Repair as required.
- 3.) Remove aerator(3). Turn on the bath spout. Run hot and cold water through spout for about one minute to remove any debris. Remove any debris from aerator. Shut off the bath spout and reinstall aerator.

SPARE PARTS LIST



| No. | Description | Part No. |
|-----|---------------|------------|
| 1 | Base | 1411612-** |
| 2 | Washer | 1250288 |
| 3 | Aerator | 1250357 |
| 4 | Aerator Shell | 1250290-** |

** Finish/Colour code must be specified when ordering:

- CP (Polished Chrome)
- BN (Brushed Nickel)
- BL (Matte Black)