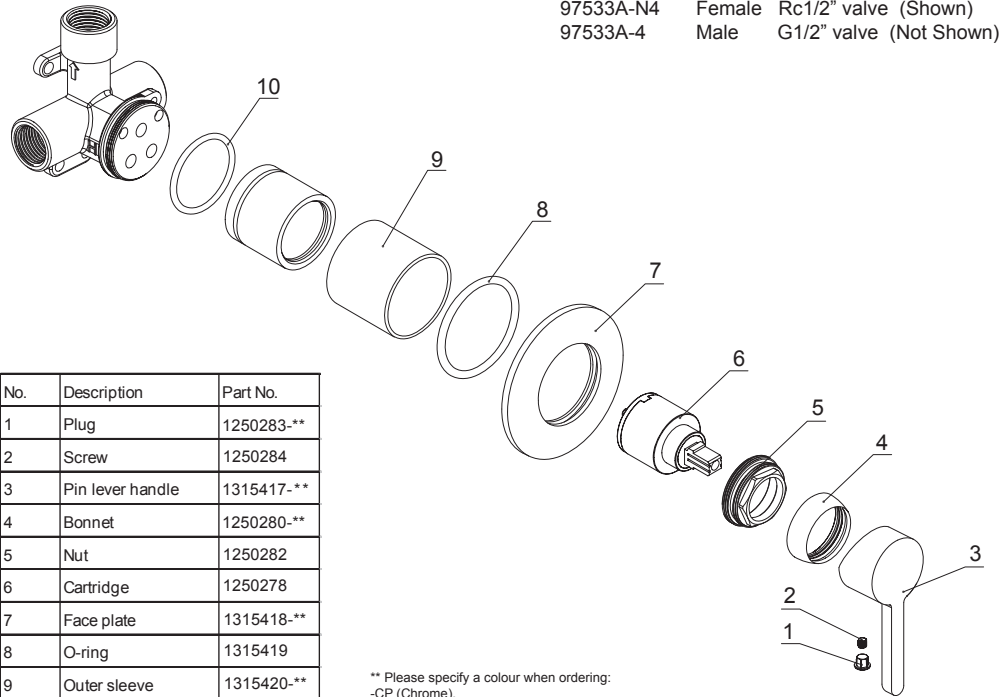


SPARE PARTS LIST



97533A-N4 Female Rc1/2" valve (Shown)
 97533A-4 Male G1/2" valve (Not Shown)

No.	Description	Part No.
1	Plug	1250283-**
2	Screw	1250284
3	Pin lever handle	1315417-**
4	Bonnet	1250280-**
5	Nut	1250282
6	Cartridge	1250278
7	Face plate	1315418-**
8	O-ring	1315419
9	Outer sleeve	1315420-**
10	O-ring	1315422

** Please specify a colour when ordering:
 -CP (Chrome),
 -BN (Brushed nickel),
 -BL (Matte Black)

CLEANING INSTRUCTIONS

All Finishes: Clean the finish with mild soap and warm water. Wipe entire surface completely dry with a clean soft cloth. Many cleaners may contain such chemicals as ammonia, chlorine, toilet chemicals etc. which could adversely affect the finish and are not recommended for cleaning.

Do not use abrasive cleaners or solvents on Englefield tapware.

CONTACT AND WARRANTY INFORMATION

NEW ZEALAND
 KOHLER NZ LTD

Free Ph: 0800 100 382
 Free Fax: 0800 664 488
www.Englefield.co.nz

AUSTRALIA
 KOHLER CO.

Free Ph: 1 800 ENGLEFIELD
 (1 800 364 533)
www.Englefield.com



For warranty information, please visit our website

INSTALLATION INSTRUCTIONS



TAPWARE

STUDIO Pin Lever Shower or Bath Mixer

97533A-4
 97533A-N4



BEFORE YOU BEGIN

All information is based on the latest product information available at the time of publication. ENGLEFIELD reserves the right to make changes in product characteristics, packaging, or availability at any time without notice.

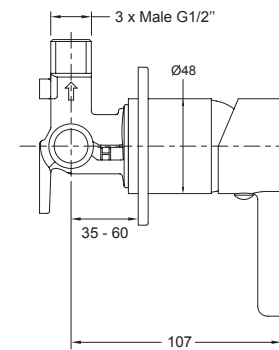
Please leave this installation guide for the consumer as it contains important information.

NOTES:

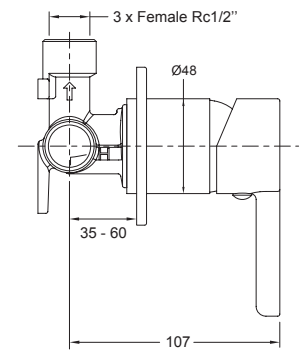
1. Flush the water supply pipes thoroughly to remove debris.
2. Ensure all local plumbing codes are observed.
3. Optimum working pressure: 100kPa to 500kPa.
4. Minimum working pressure: 35kPa.
5. Maximum working pressure: 500kPa.
6. If pressure exceeds 500kPa, a pressure limiting valve must be installed.
7. All installations should comply with the relevant requirements of AS/NZS 3500.

ROUGH-IN

97533A-4 (Male G1/2" connections)



97533A-N4 (Female Rc1/2" connections)



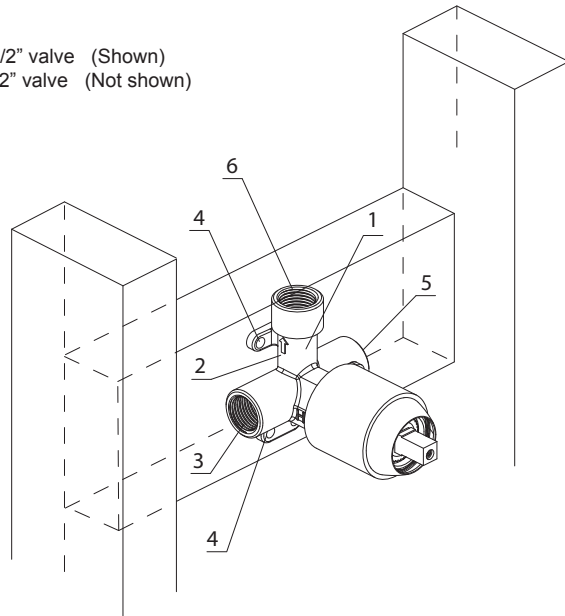
If you are building a bathroom from scratch, giving your bathroom a makeover or just replacing an old tap, Englefield can provide a solution for you.

INSTALLATION - IN-WALL VALVE

NOTE: DO NOT DISCARD THE PLASTIC GUARD UNTIL THE FINISHED WALL HAS BEEN COMPLETED.

- 1.) Determine where the in-wall valve(1) will be located in the wall.
- 2.) Construct a suitable nog for mounting the in-wall valve. Ensure the nog is level and at the correct depth.
Note: Distance of the inlet centres from finished wall: 35-60mm.
- 3.) Ensure the arrow mark(2) on the valve body is pointing up. The hot water inlet(3) is on the left. Fix the in-wall valve body onto the nog through at least two of the lugs(4). Note: Fixing screws not supplied.
- 4.) There are two valve connection types available: **Male G1/2"** and **Female Rc1/2"**.
Make sure you have the correct version for your setup and connect the water supply pipes to the inlets(3)(5)*. **Note:** Hot inlet(3) is on the left, cold inlet(5) is on the right.
- 5.) Connect pipes from outlet(6)* to shower head or bath spout, as required.

* Female Rc1/2" valve (Shown)
Male G1/2" valve (Not shown)

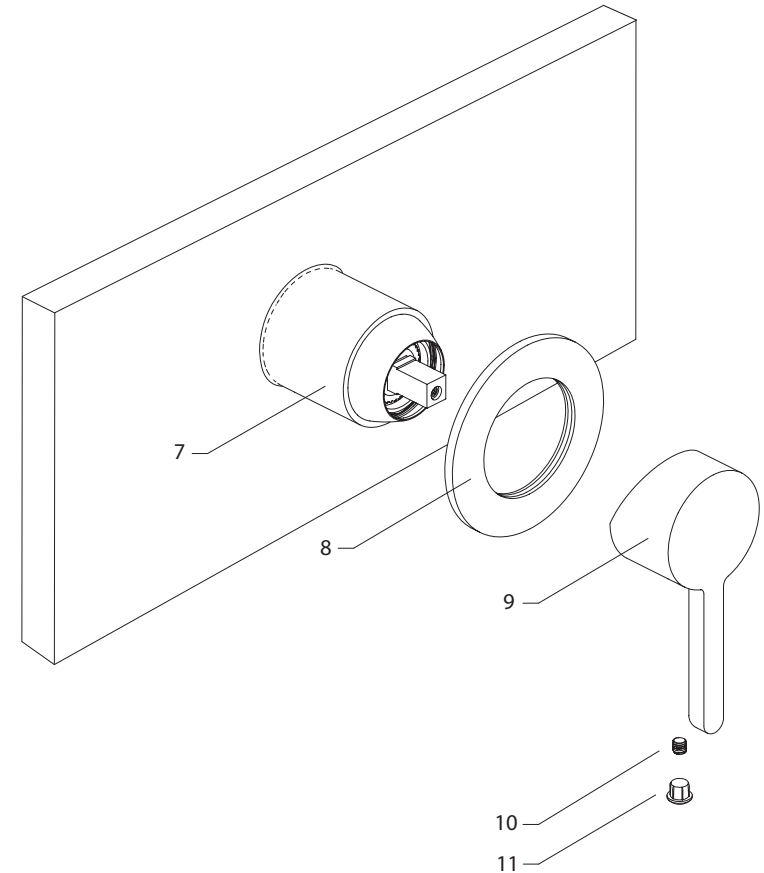


INSTALLATION CHECKOUT

- 1.) Ensure that all connections are watertight. Remove plastic guard and ensure the cartridge is in the off position.
- 2.) Turn on the main water supply and check for leaks. Repair as needed.
- 3.) Replace plastic guard and ensure the main water supply is turned off.

INSTALLATION - FINISHED WALL

- 1.) Install the finished wall up to the plastic guard. Note that the faceplate diameter is 80mm and ensure an adequate sealing surface is provided.



INSTALLATION - TRIM KIT

- 1.) Remove the plastic guard after the finished wall has been completed
- 2.) Apply a bead of silicone to the rear of the faceplate(8). Slide the faceplate onto the valve body(7). Push it firmly against the wall.
- 3.) Install the pin lever(9) on the cartridge and tighten the grub screw(10) with the hex key.
- 4.) Insert the plug(11) into the handle.