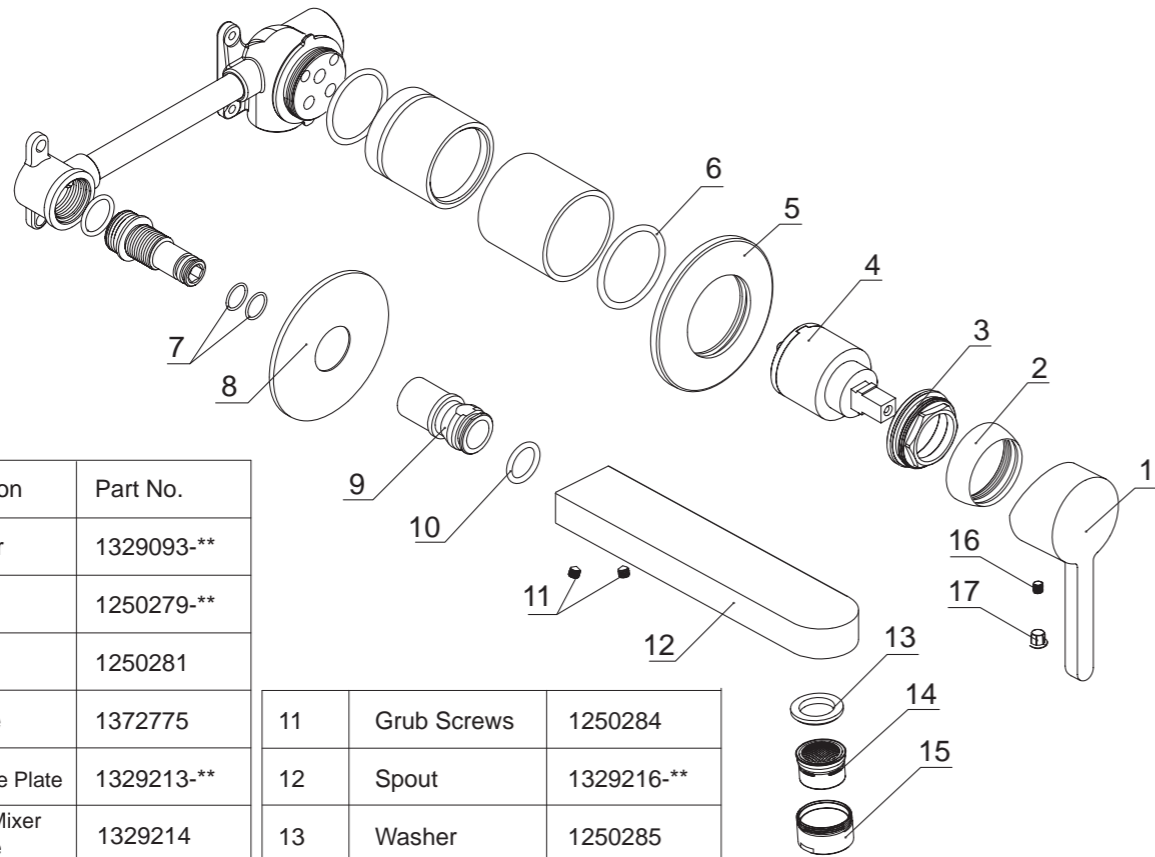


SPARE PARTS LIST



| No. | Description | Part No. |
|-----|---------------------------|------------|
| 1 | Pin Lever | 1329093-** |
| 2 | Bonnet | 1250279-** |
| 3 | Nut | 1250281 |
| 4 | Cartridge | 1372775 |
| 5 | Mixer Face Plate | 1329213-** |
| 6 | O-Ring - Mixer Face Plate | 1329214 |
| 7 | O-Ring | 1250325 |
| 8 | Spout Face Plate | 1329215-** |
| 9 | Spout Adaptor | 1250328 |
| 10 | O-Ring | 1250324 |
| 11 | Grub Screws | 1250284 |
| 12 | Spout | 1329216-** |
| 13 | Washer | 1250285 |
| 14 | Aerator | 1250293 |
| 15 | Aerator Shell | 1250290-** |
| 16 | Grub Screw | 1250284 |
| 17 | Plug | 1250283-** |

** Please specify a colour when ordering:
 -CP (Chrome),
 -BN (Brushed nickel),
 -BL (Matte Black)

CLEANING INSTRUCTIONS

All Finishes: Clean the finish with mild soap and warm water. Wipe entire surface completely dry with a clean soft cloth. Many cleaners may contain such chemicals as ammonia, chlorine, toilet chemicals etc., which could adversely affect the finish and are not recommended for cleaning.

Do not use abrasive cleaners or solvents on Englefield tapware.

CONTACT AND WARRANTY INFORMATION

NEW ZEALAND
 KOHLER NZ LTD

Free Ph: 0800 100 382
 Free Fax: 0800 664 488
 www.engagefield.co.nz

AUSTRALIA
 KOHLER AUSTRALIA

Free Ph: 1 800 ENGLEFIELD
 (1 800 364 533)
 www.engagefield.com



Trusted in New Zealand Since 1982

INSTALLATION INSTRUCTIONS



Trusted in New Zealand Since 1982

TAPWARE

STUDIO Pin Lever Wall-Mount Basin Mixer

20149A-4



BEFORE YOU BEGIN

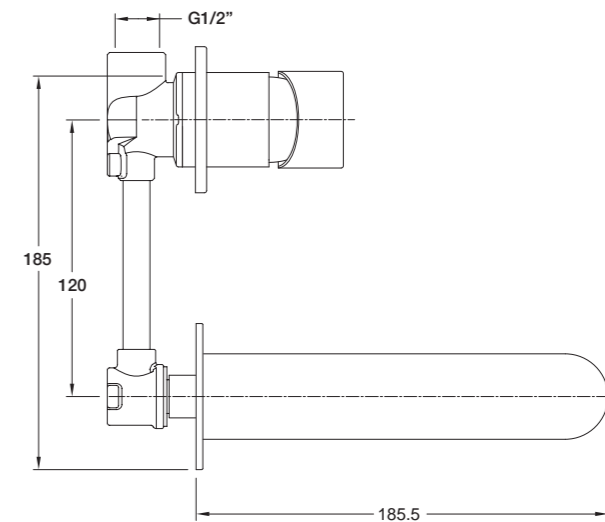
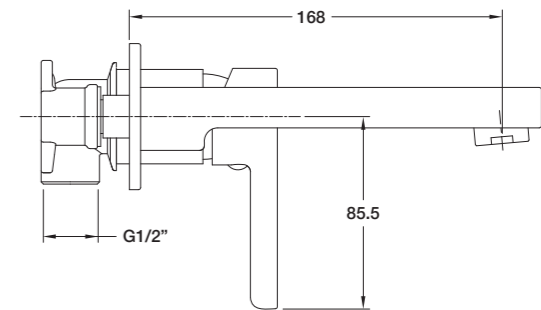
All information is based on the latest product information available at the time of publication. ENGLEFIELD reserves the right to make changes in product characteristics, packaging, or availability at any time without notice.

Please leave this installation guide for the consumer as it contains important information.

NOTES:

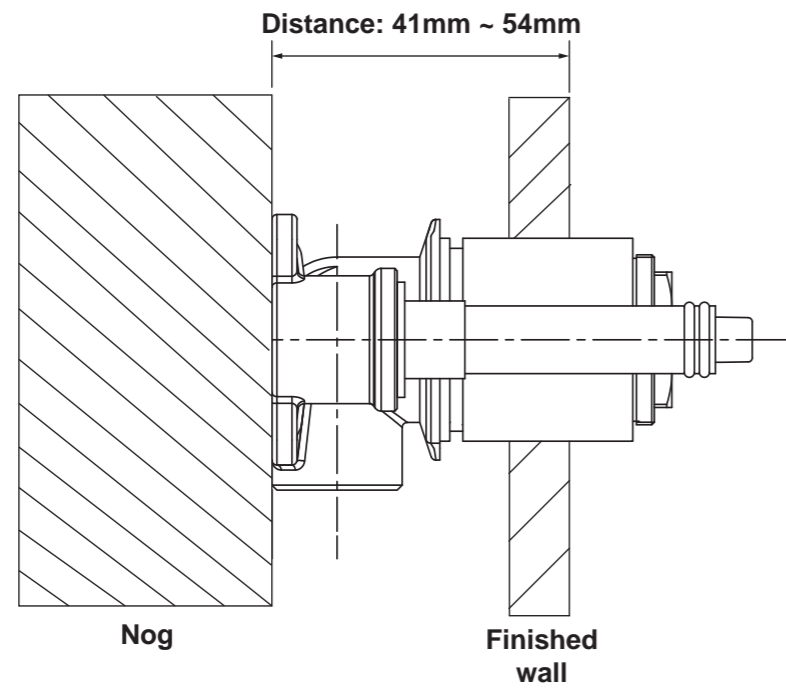
1. Flush the water supply pipes thoroughly to remove any debris.
2. An in-line water filter must be used with this product.
3. If possible, install this mixer before installing basin.
4. Ensure all local plumbing codes are observed.
5. Recommended working pressure: 100kPa to 500kPa.
6. Maximum working pressure: 800kPa.
7. If pressure exceeds 500kPa, a pressure limiting valve must be installed.
8. All installations should comply with the relevant requirements of AS/NZS 3500 and AS/NZS 6400.

ROUGH-IN



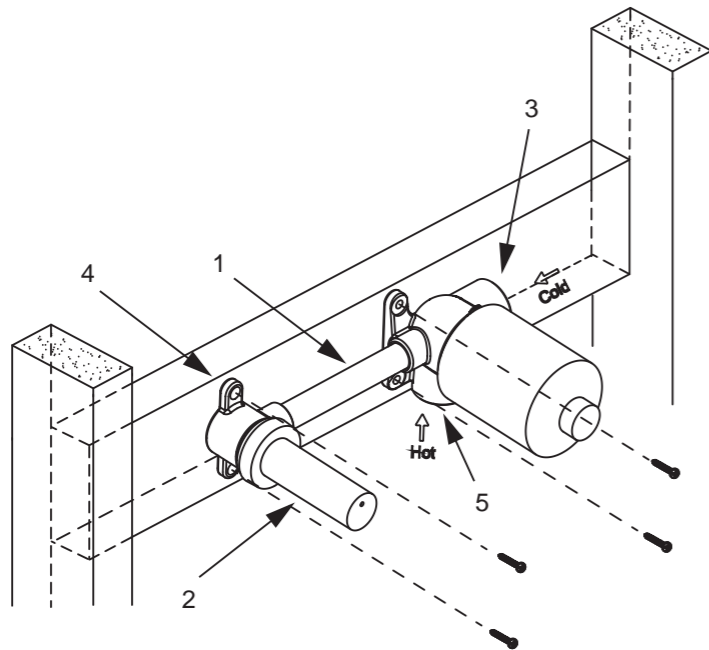
INSTALLATION - IN-WALL VALVE

- 1.) Construct a suitable nog for mounting the in-wall valve (1). Ensure the nog is level and at the correct depth.
Note: Distance from mounting surface to external surface of finished wall is between 41mm and 54mm.



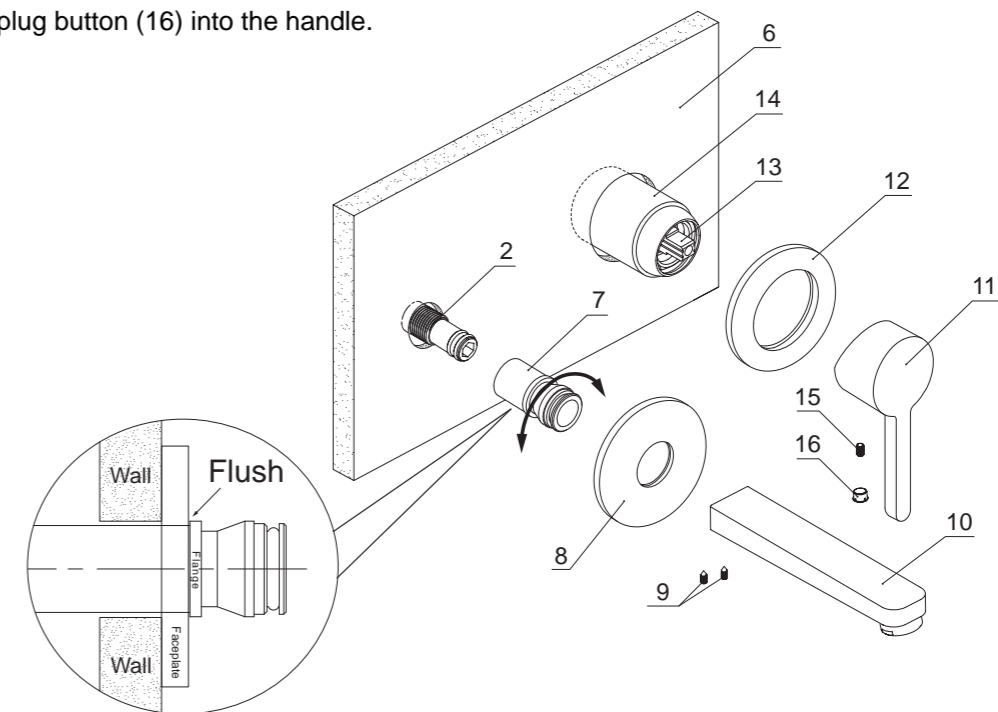
- 2.) Ensure the cold water inlet (3) is on the right. Fix the in-wall valve body onto the nog through the lugs (4).
Note: Fixing screws not supplied.
- 3.) Connect the G1/2" water supply pipes to the inlets.
Note: Cold water inlet (3) on the right, hot water inlet (5) on the underside.

NOTE: DO NOT DISCARD THE PLASTIC GUARDS UNTIL THE FINISHED WALL HAS BEEN COMPLETED.



INSTALLATION - SPOUT AND TRIM KIT

- 1.) After the finished wall (6) has been completed, remove the plastic guards.
- 2.) Screw the spout adaptor (7) onto the spout nipple (2).
- 3.) Apply a bead of silicone to the rear of the spout faceplate (8). Slide the spout faceplate onto the spout adaptor and push it firmly against the wall.
- 4.) Readjust the position of spout adaptor (7) to ensure that the back surface of its flange flushes with the front surface of the faceplate (8).
- 5.) Fit the spout (10) onto the spout adaptor, press it firmly against the spout faceplate. Make sure it is level and tighten the grub screws (9) with the hex key (supplied).
- 6.) Apply a bead of silicone to the rear of the pin lever faceplate (12). Slide the pin lever faceplate onto the valve body (14) and push it firmly against the wall.
- 7.) Install the handle (11) onto the cartridge stud (13) and tighten the grub screw (15) with the hex key (supplied).
- 8.) Insert the plug button (16) into the handle.



INSTALLATION CHECKOUT - FINAL

- 1.) Ensure that all connections are tight. Ensure that the handle is in the off position.
- 2.) Open the basin drain as necessary. Turn on main water supply and check for leaks. Repair as required.
- 3.) Remove aerator (17). Turn on the basin mixer. Run hot and cold water through spout for about one minute to remove any debris. Remove any debris from aerator. Shut off the basin mixer and reinstall aerator.

