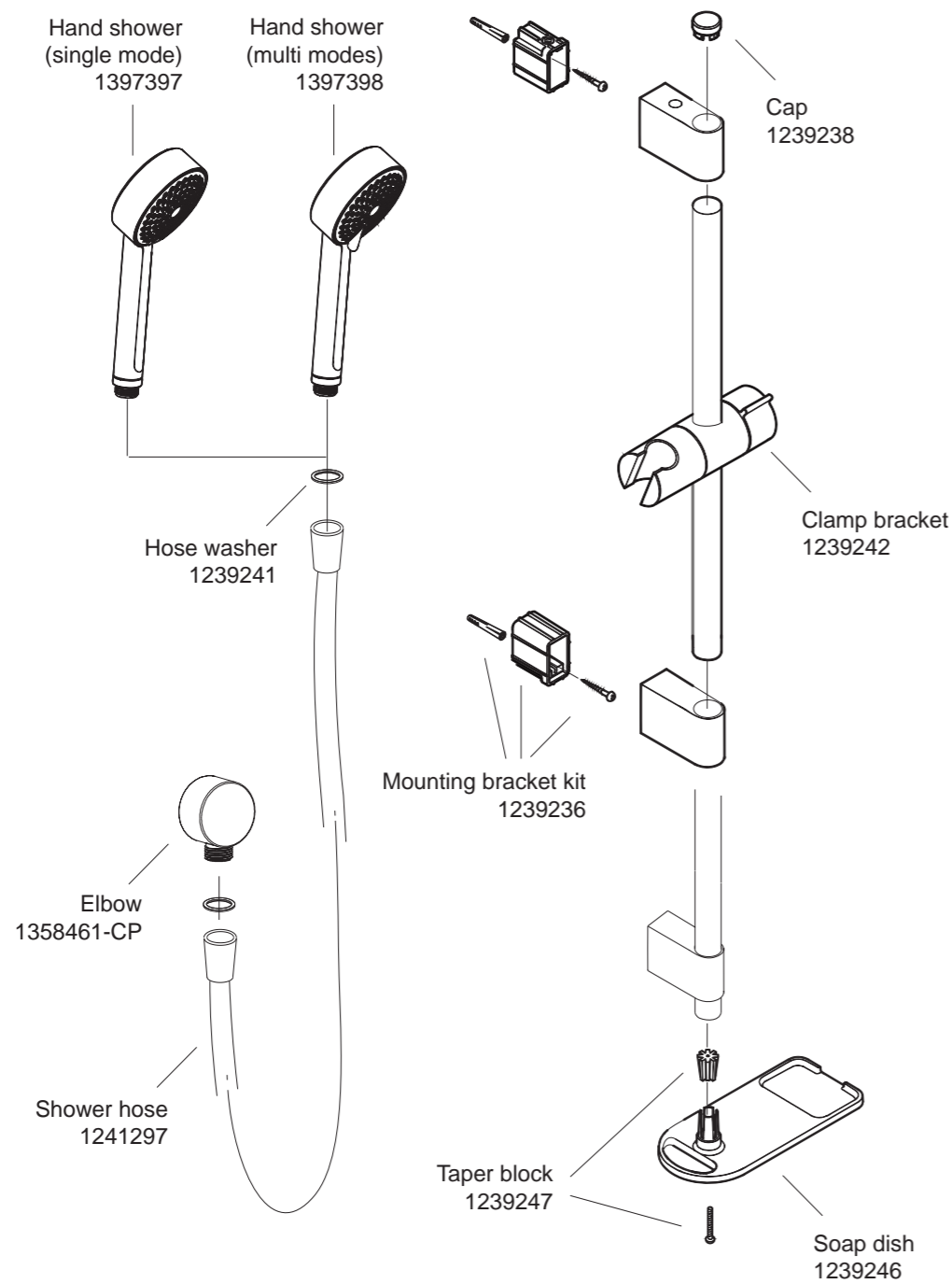


SPARE PARTS LIST



CONTACT AND WARRANTY INFORMATION

**NEW ZEALAND**  
KOHLER NZ LTD

Free Ph: 0800 100 382  
Free Fax: 0800 664 488  
www.Englefield.co.nz

**AUSTRALIA**  
KOHLER AUSTRALIA

Free Ph: 1 800 ENGLEFIELD  
(1 800 364 533)  
www.Englefield.com



Trusted in New Zealand Since 1982

# INSTALLATION INSTRUCTIONS



Trusted in New Zealand Since 1982

## TAPWARE

## STUDIO II SLIDE SHOWER

22980A-CP  
22981A-CP



### BEFORE YOU BEGIN

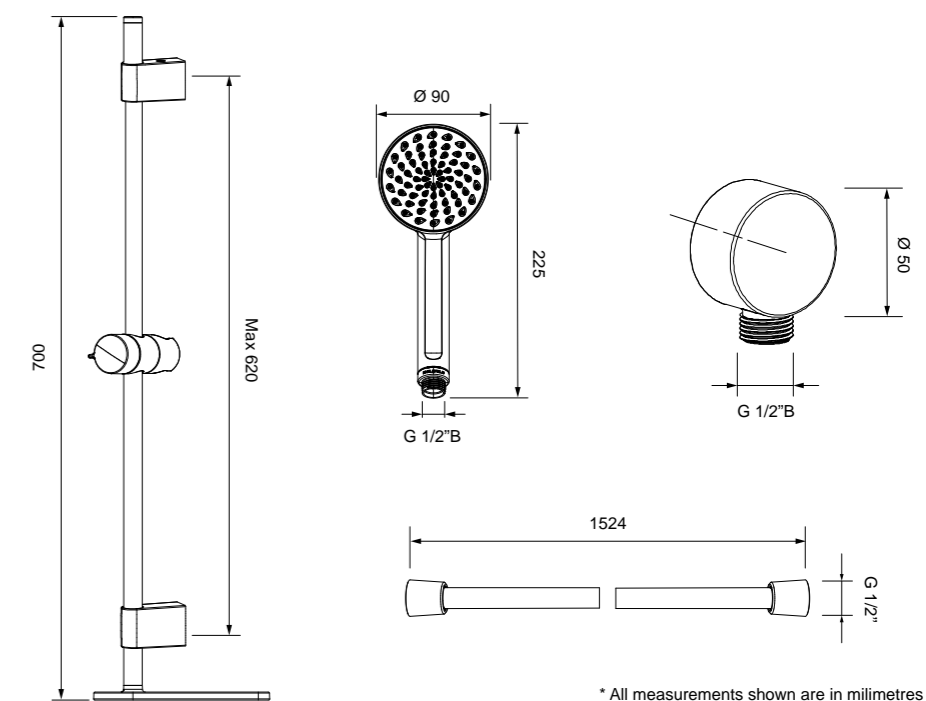
All information is based on the latest product information available at the time of publication. Englefield reserves the right to make changes in product characteristics, packaging, or availability at any time without notice.

Please leave this installation instructions guide for the consumer. It contain important information.

### NOTES:

1. Flush the water supply pipes thoroughly to remove debris.
2. An in-line filter must be used with this product.
3. The working pressure of hand shower is between 100 kPa and 500 kPa. If it exceeds 500 kPa, a pressure limiting valve must be fitted.
4. The operating temperature of hand shower is from 10°C to 70°C. NZ building code G12 requires that maximum hot water temperature at any sanitary fixture used for personal hygiene shall not exceed either 45°C or 55°C. If so, a tempering valve must be installed.
5. This shower is intended for high/mains pressure installations. It may not be suitable for use with gravity-fed water heaters, low and unequal pressure supplies.
6. All installations should comply with local plumbing codes and the relevant requirements of AS/NZS 3500 and AS/NZS 6400.

### ROUGH-IN DIMENSIONS



## INSTALLATION

## How to Install the Slide Rail and Soap Dish

- 1). Determine a suitable position on the finished wall for the slide rail, avoiding cables and pipes concealed in the wall.

**Note:** The slide rail must be fixed to timber studs or nogs in the wall.

- 2). Mark the position of top & bottom wall fixing holes on the finished wall (Max. 620 mm apart).
- 3). Fix top & bottom brackets (2) & (4) to the finished wall with the anchors (1) and screws (3).

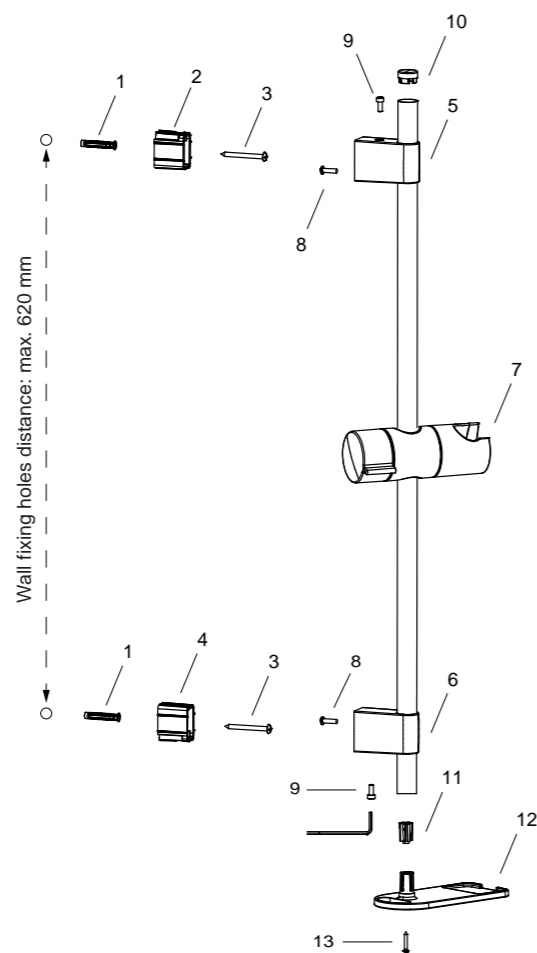
**Note:** Ensure the hole in the top bracket for bracket cover (5) faces up and the hole in the bottom bracket for bracket cover (6) faces down.

- 4). Move the hand shower holder (7) to the centre of the rail.
- 5). Slide the bracket covers (5) & (6) to the rail and adjust the position of them at each end by loosening the screws (8) inside the bracket covers.

**Note:** Ensure the distance between them (Max. 620mm apart) is same as one between the two wall fixing holes.

- 6). Mount the rail onto the brackets (2) & (4) and fix both covers in place by using cover screws (9).
- 7). Insert the endcap (10) into the top of the slide rail.
- 8). Insert the soap dish (12) with plastic insert (11) into the bottom end of the slide rail and fix in place using screw (13).

**Note:** Be careful not to overtighten.



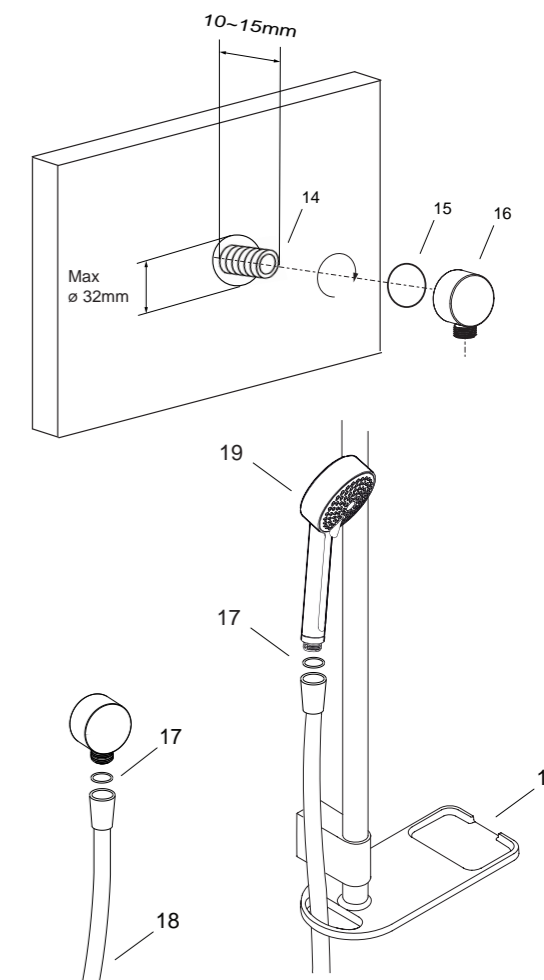
## How to Install the Elbow and Hand Shower

**Note:** To perform installation the installer must provide a G1/2" B water supply nipple (14). The distance from the end of the nipple to the finished wall surface should be between 10mm and 15 mm and be perpendicular to the finished wall.

- 1). Apply thread tape or sealant to the water supply nipple.
- 2). Fit the O-ring (15) into groove in the base of elbow (16) and then screw it onto the water supply nipple clockwise until the back surface of the elbow touches the wall.

**Note:** Ensure the outlet of the elbow faces down.

- 3). Insert the rubber filter washers (17) in both ends of shower hose (18). Connect and hand tighten the shower hose to the hand shower (19) and the elbow (16). Make sure hose goes through the soap dish (12).
- 4). Attach hand shower onto the hand shower holder (7).



## INSTALLATION CHECKOUT

- 1). Ensure that all connections are tight.
- 2). Turn on the main water supply and check for leaks. Repair as needed.
- 3). Disconnect the hand shower from the shower hose and then turn on the shower mixer for minimum one minute to flush any residual debris from the line.
- 4). Check and clean filter washers as necessary. Reinstall the shower hose back to the hand shower and the elbow.
- 5). Adjust the height of hand shower by twisting the bracket lever & sliding it up or down.

## CLEANING INSTRUCTIONS

Clean all finishes with mild soap and warm water. Wipe entire surface completely dry with a clean soft cloth. Many cleaners may contain such chemicals as ammonia, chlorine, toilet chemicals etc, which could adversely affect the finish and are not recommended for cleaning.

**Do not use abrasive cleaners or solvents on Englefield fittings.**