

INSTALLATION INSTRUCTIONS



Trusted in New Zealand Since 1982

TAPWARE

STUDIO THERMOSTATIC SHOWER/BATH MIXER

27768A-CP

BEFORE YOU BEGIN

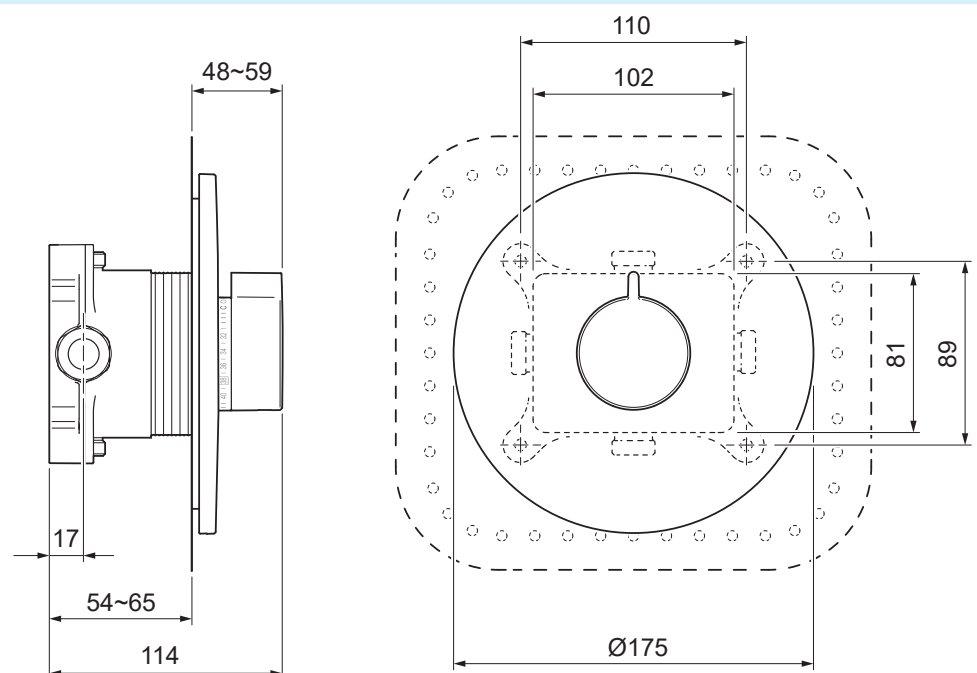
All information is based on the latest product information available at the time of publication. ENGLEFIELD reserves the right to make changes in product characteristics, packaging, or availability at any time without notice.

Please leave this installation guide for the consumer as it contains important information.

Notes:

1. This product is designed for **domestic use only**.
2. Do not remove the plastic guard from the valve body until instructed to.
3. All connections are G1/2" B.
4. This mixer valve is intended to work under **equal pressure**.
5. The working pressure is between 10 kPa and 500 kPa. If it exceeds 500 kPa, a pressure limiting valve must be fitted.
6. Maximum static pressure is 1000 kPa.
7. The operating temperature range of HOT supply is from 55°C to 65°C, and operating temperature range of COLD supply is between 2°C to 25°C.
8. Minimum temperature difference between HOT supply and OUTLET temperature is 12°C (required to ensure safe shut down within 2 seconds if either HOT or COLD supply fails).
9. An inline water filter must be used with this product.
10. All installations should comply with local plumbing codes and relevant requirements of AS/NZS 3500 and AS/NZS 6400.

ROUGH-IN



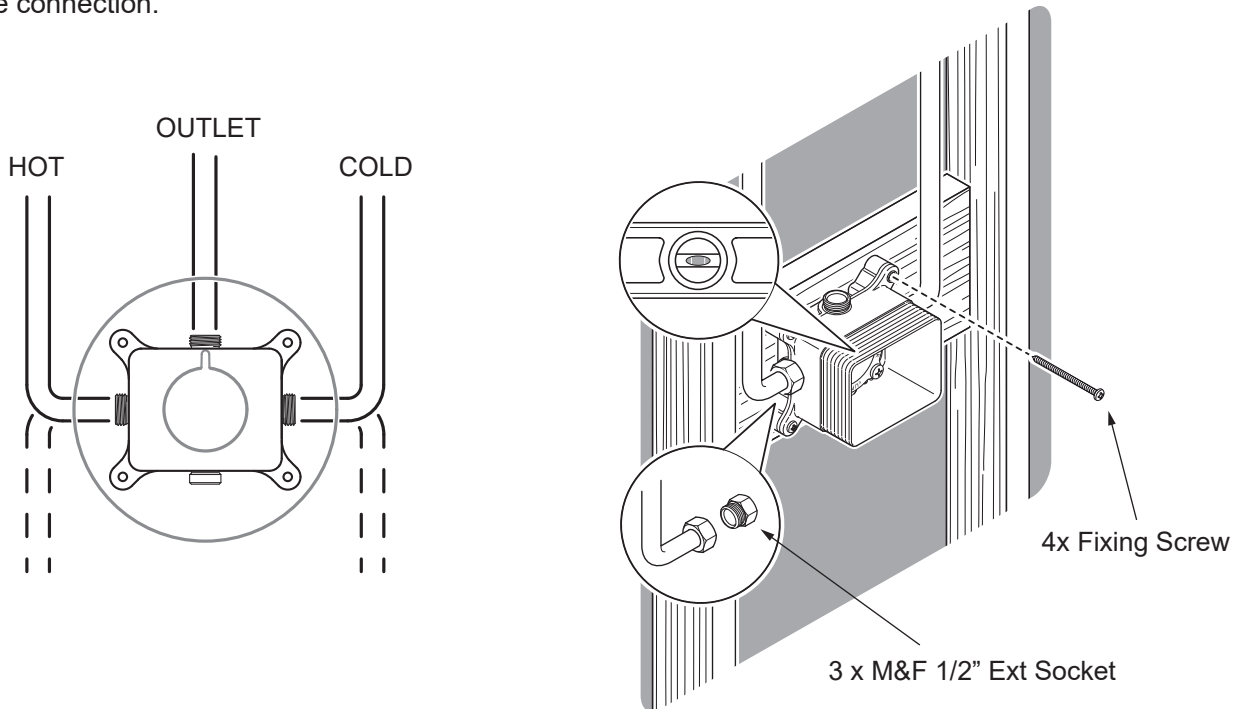
All dimensions in millimetres

1. INSTALLATION - HUB AND PIPEWORK

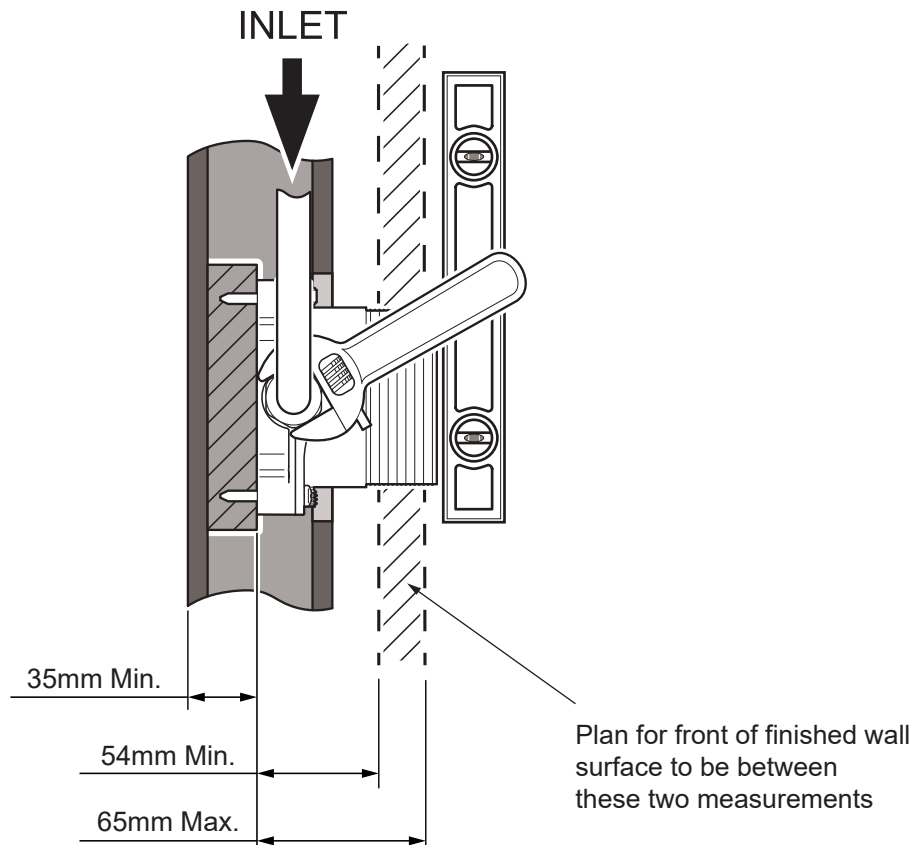
1.1 Create a suitable cavity for the hub and the pipework.

Use all four fixing points to secure the hub.

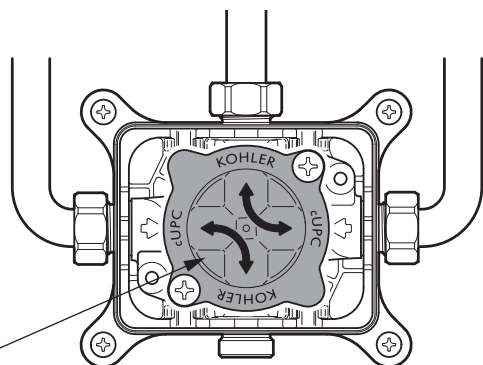
Apply supplied 1/2" BSP M&F extension sockets onto existing Inlet & Outlet end connectors if necessary for pipe connection.



1.2 Distance from mounting surface to the front surface of the finished wall is between 54mm and 65mm.



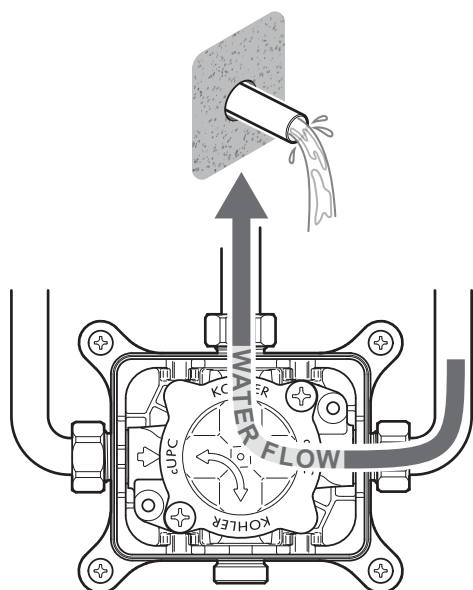
2. INSTALLATION - PIPEWORK FLUSHING



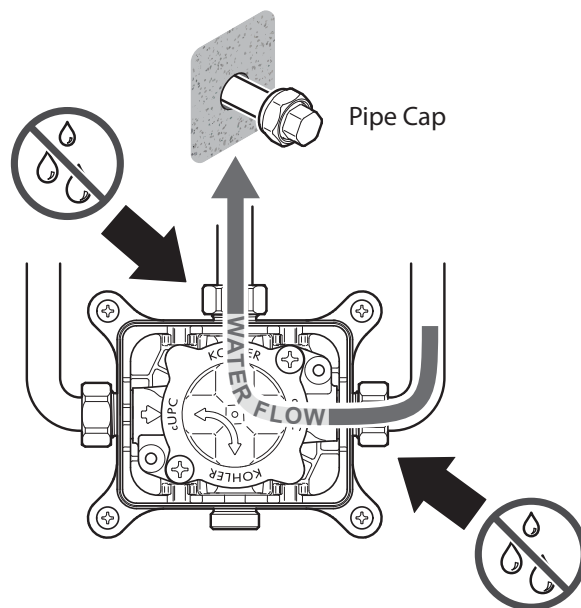
Flushing Cup

A flushing cup is prefitted into the hub to aid in flushing any dirt or debris from the pipework.

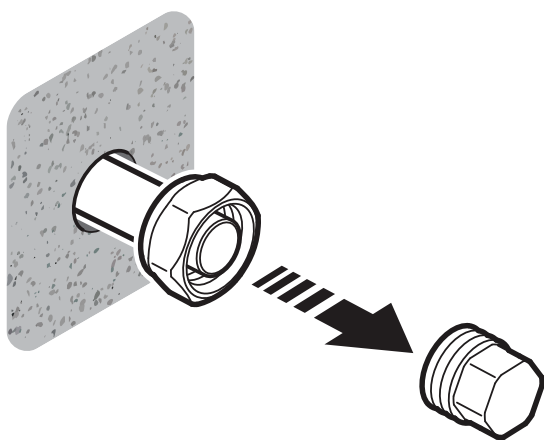
An appropriate pipe cap is required to test the hub's inlet and outlet joints for leaks.



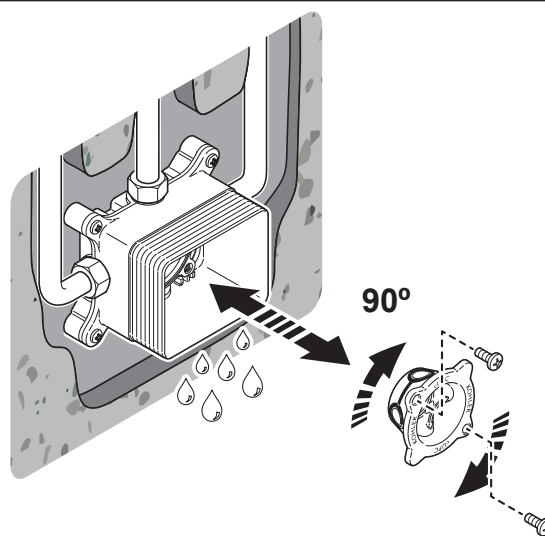
2.1 Open the water supply, flush right hand side pipework.



2.2 Isolate the water supply, fit the cap to the outlet. Re-open the water supply, check right hand and outlet joints for leaks.



2.3 Isolate the water supply and remove the cap.

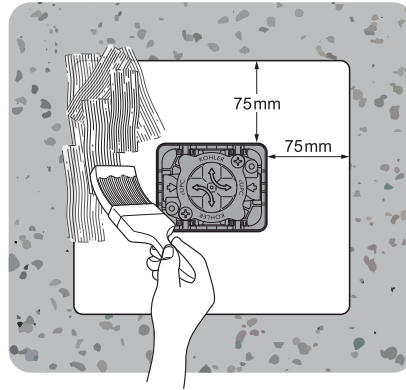


2.4 Remove the flushing cap, rotate by 90° and re-secure. Repeat steps (2.1) ~ (2.3) for left hand side pipework.

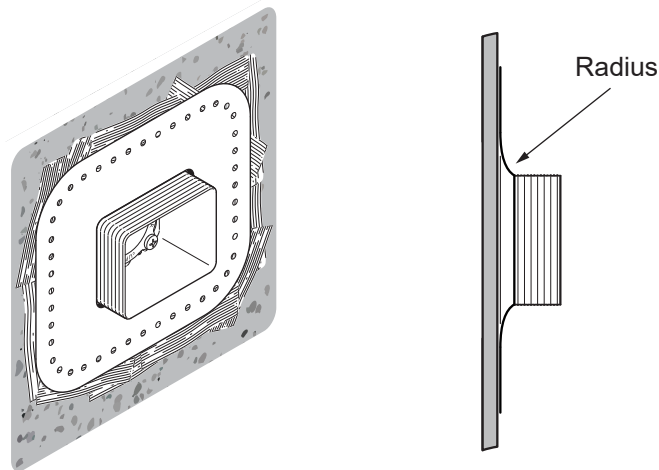
3. INSTALLATION - WATERPROOFING

3.1 Install the wall board up to the sides of the hub ready for waterproof finishing.

Apply a liberal coat of waterproof adhesive around the hub. A sufficient amount is required for coating this area twice during the installation.

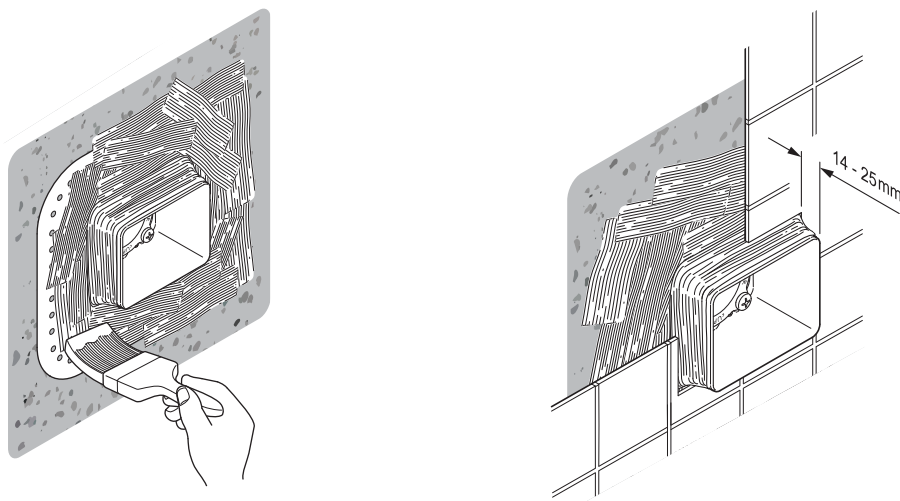


3.2 Fit the fabric wall seal and press flat around the edges, creating a radius around the sides of the hub.



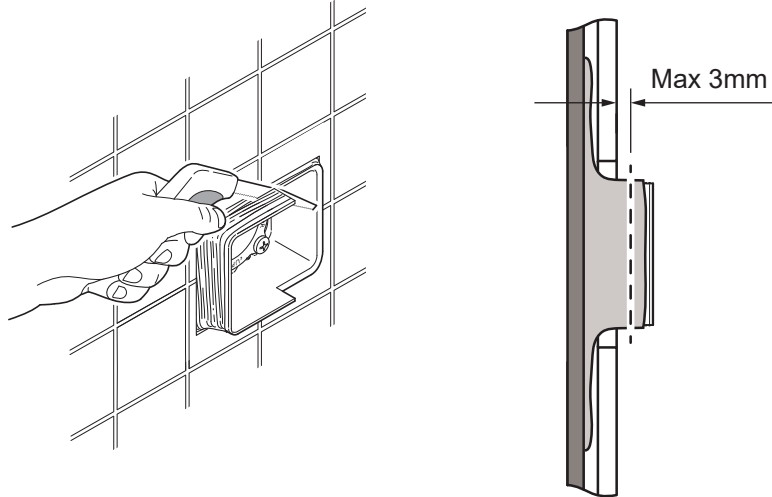
3.3 Apply further adhesive over the fabric wall seal and around the sides of the hub and allow it to set.

Finish the wall surface. A distance of 14mm~25mm should protrude from the finished wall surface.

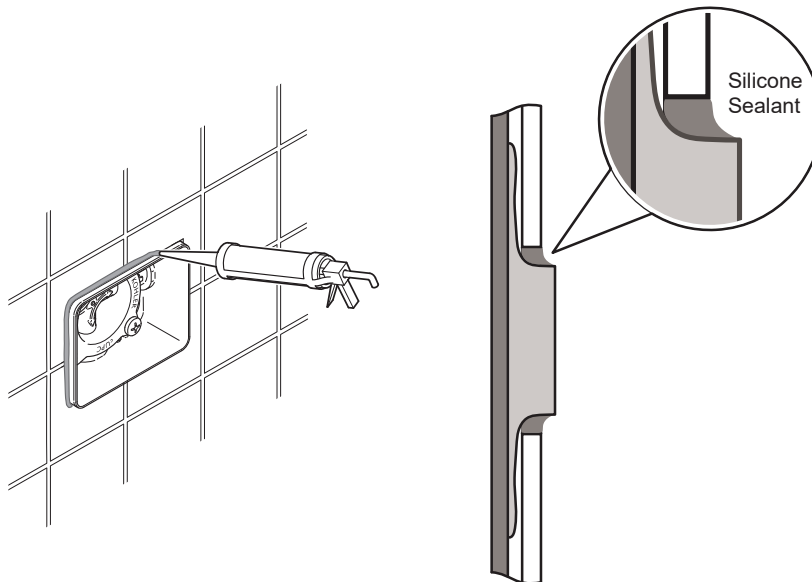


3. INSTALLATION - WATERPROOFING CONTINUED

3.4 Take care not to damage the finished wall, trim the hub back to within 3mm from the finished wall surface.

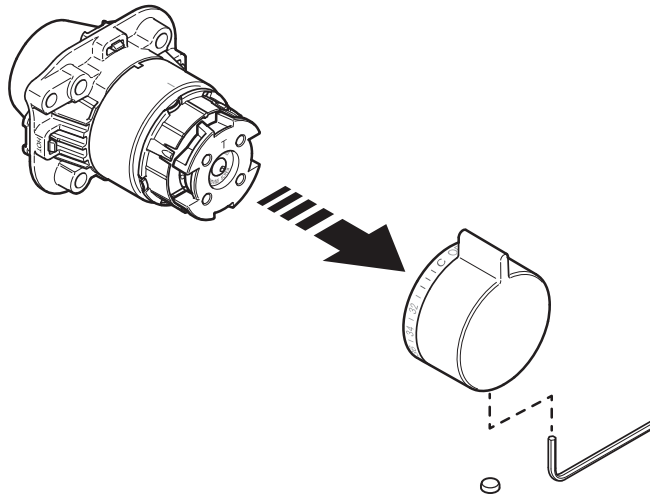


3.5 Apply silicone sealant to fill the gap around the hub.

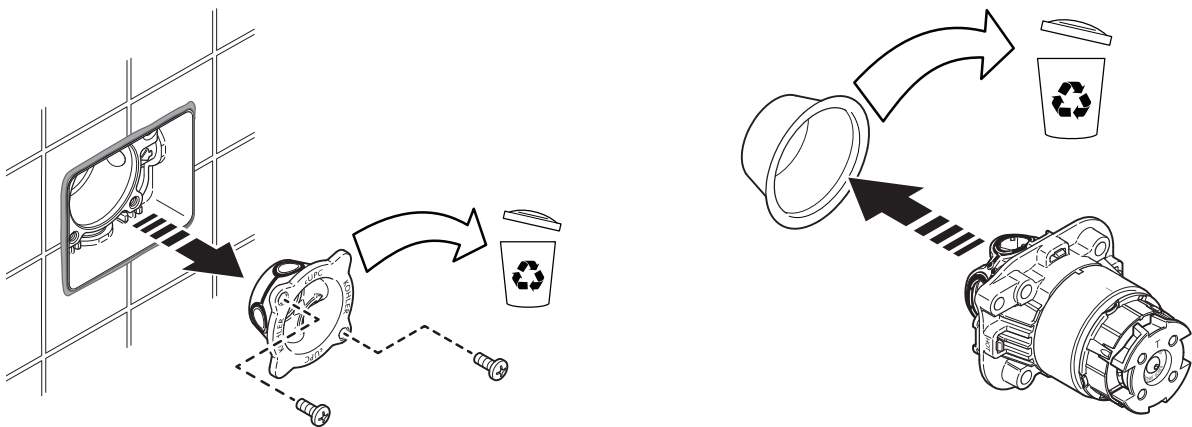


4. INSTALLATION - SHOWER CONTROL UNIT

4.1 Remove the control handle and temperature trim from shower control unit.

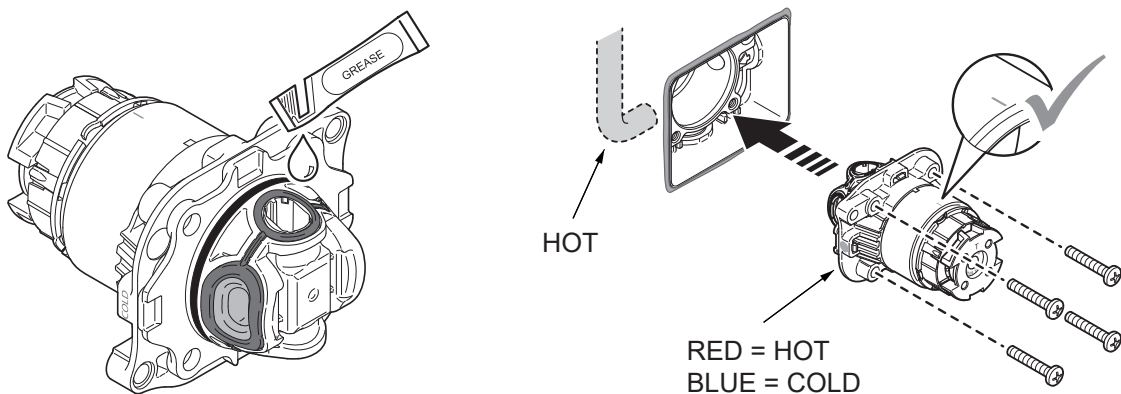


4.2 Remove both flushing cup from the hub and plastic seal cover from the shower control unit.



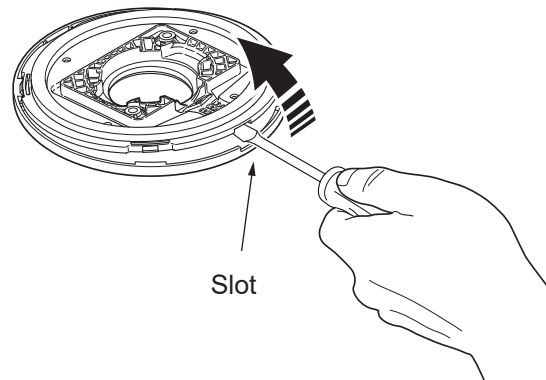
4.3 Apply supplied grease to the seals.

Fit the shower control unit into the hub and secure with the supplied four screws (M6x30 Pozi Pan).



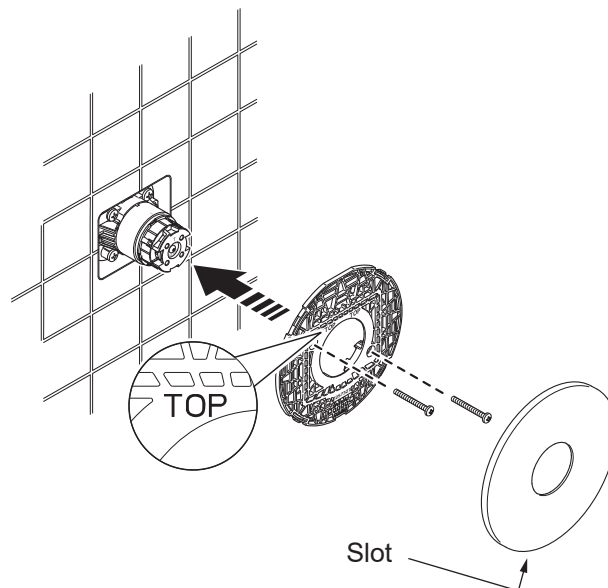
5. INSTALLATION - FACEPLATE

5.1 Carefully unclip the backplate from the concealing plate.

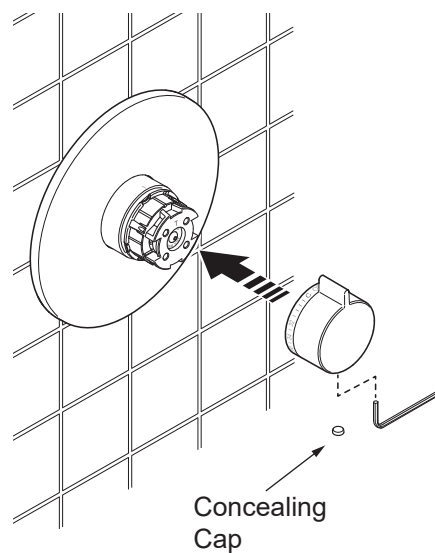


5.2 Fit and secure the backplate flat against the wall with the two screws supplied (M5x45 Pozi Pan).

Do not overtighten the screws. Clip the concealing plate over the backplate.



5.3 Refit the control handle and trim. Tighten the Hex screw and refit the concealing cap.



6. COMMISSIONING

Follow this procedure to check and adjust the temperature before using the mixer for the first time.

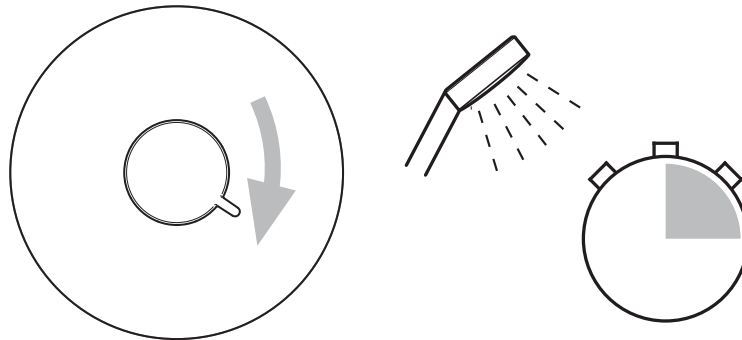
Make sure that all users are familiar with the operation of the mixer.

The mixer's maximum temperature (full hot) has been preset to 43°C at the factory, but due to site conditions may require adjustment.

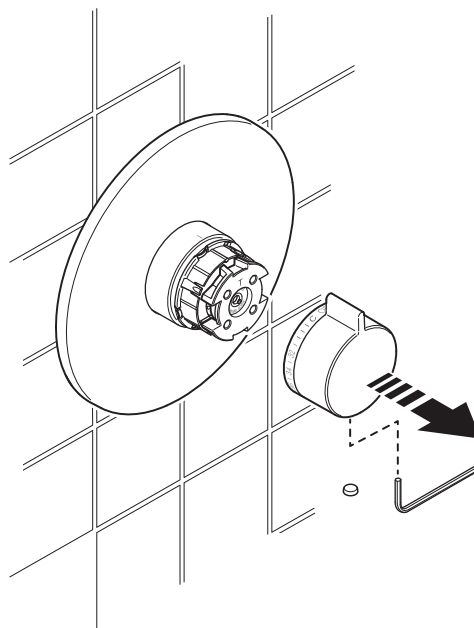
Note: maximum temperature setting could be adjusted up to 49°C.

The following procedure requires an adequate supply of hot water at a minimum temperature of 55°C.

6.1 Turn the handle clockwise and test that the shower controls the temperature from cold to hot. Allow a few seconds for any temperature adjustment to take effect.

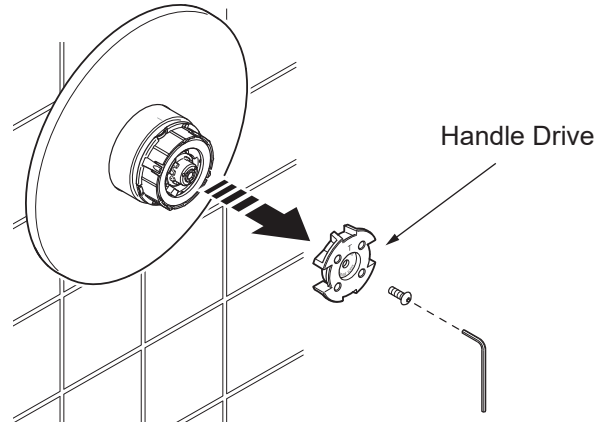


6.2 Turn the shower off. If the maximum temperature needs to be either warmer or cooler, remove the concealing cap, loosen the screw with the hex key supplied and remove handle and temperature trim.



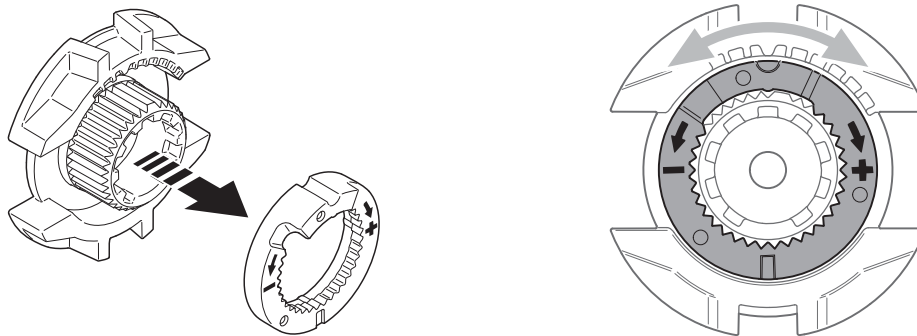
6. COMMISSIONING - CONTINUED

6.3 Disconnect the screw with the hex key and remove the handle drive.



6.4 Lift and adjust the position of the red stopper on the back of the handle drive. Each square mark represents 1°C so can be set down to 41°C and up to 49°C.

- + = warmer
- = cooler



6.5 Refit the handle drive and screw. Turn back to full hot. Ensure the stopper operates correctly and temperature is at the desired level.

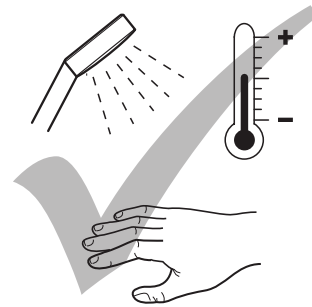
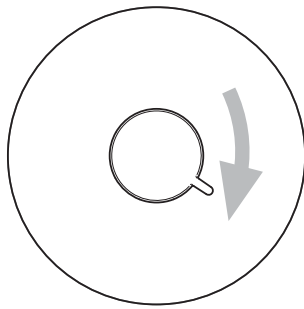
Turn off again. Refit the handle and the temperature trim.



7. OPERATION

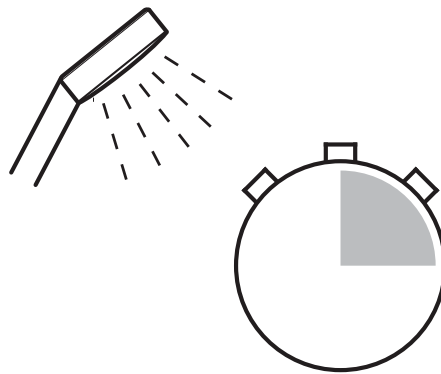
7.1 Turn the handle clockwise to start the shower and adjust the temperature from COLD to HOT.

Check the water temperature before entering the shower. The maximum temperature (full hot) position can be adjusted, see "**COMMISSIONING**".



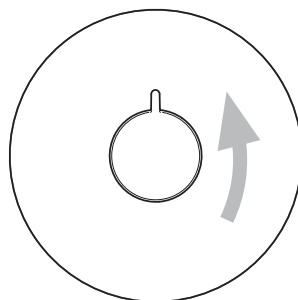
7.2 Allow a few seconds for any temperature adjustment to take effect.

Allow temperature to stabilize before making a new temperature adjustment.



7.3 Stop the shower by turning the handle anti-clockwise fully.

Residual water may drain for a few seconds.



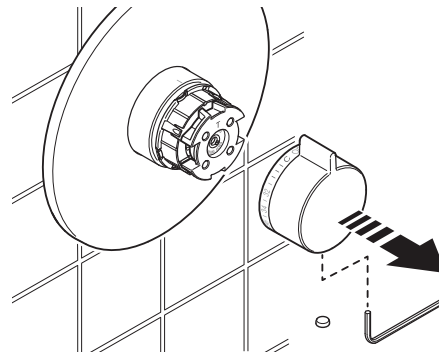
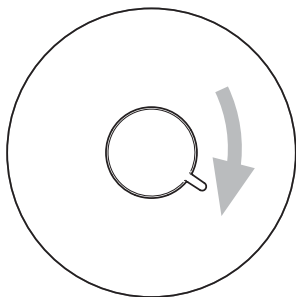
8. MAINTENANCE

Warning: Maintenance of the shower control unit must be carried out in accordance with the following instructions by qualified, competent personnel.

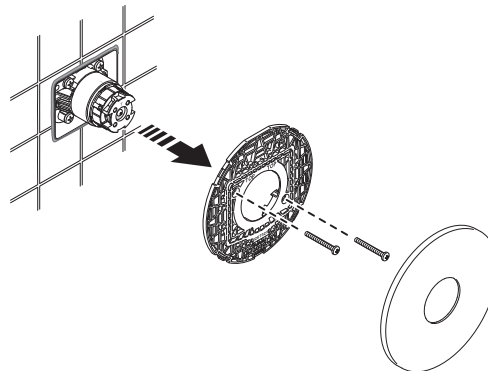
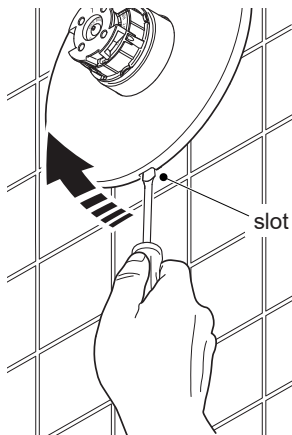
8.1 Cleaning / Replacing Filter

8.1.1 Isolate the water supplies and turn the shower on to relieve the water pressure in the pipe.

Turn the shower off. Remove the handle and temperature trim.

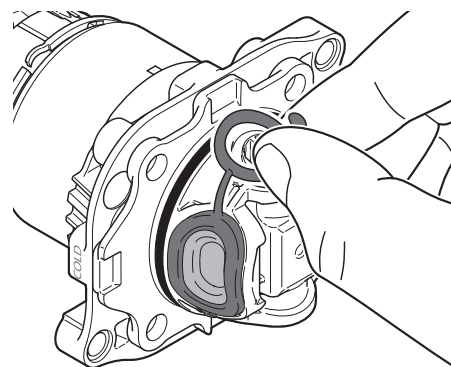
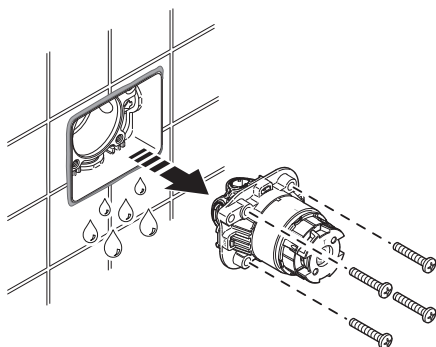


8.1.2 Carefully unclip the concealing plate. Remove the backplate to access the shower control unit.



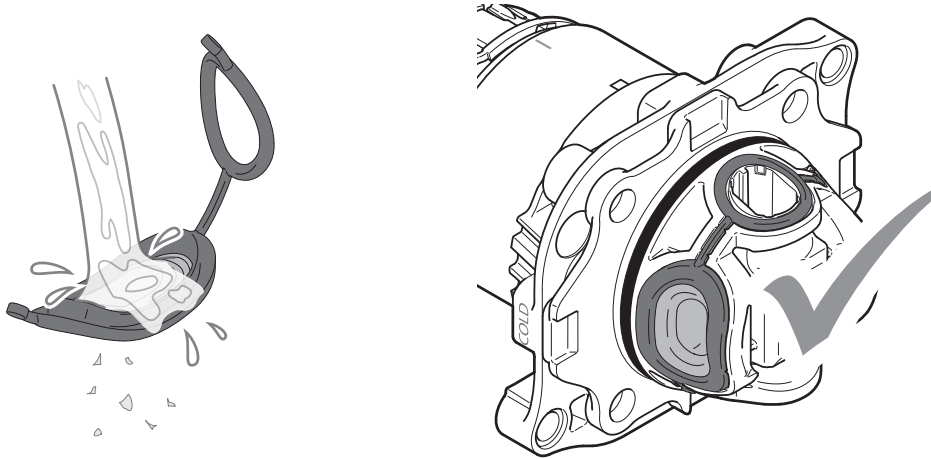
8.1.3 Disconnect the screws and the shower control unit. **Caution!** Water might drain from the hub.

Take the seals/filters off and inspect for damage or debris blockage.



8. MAINTENANCE - CONTINUED

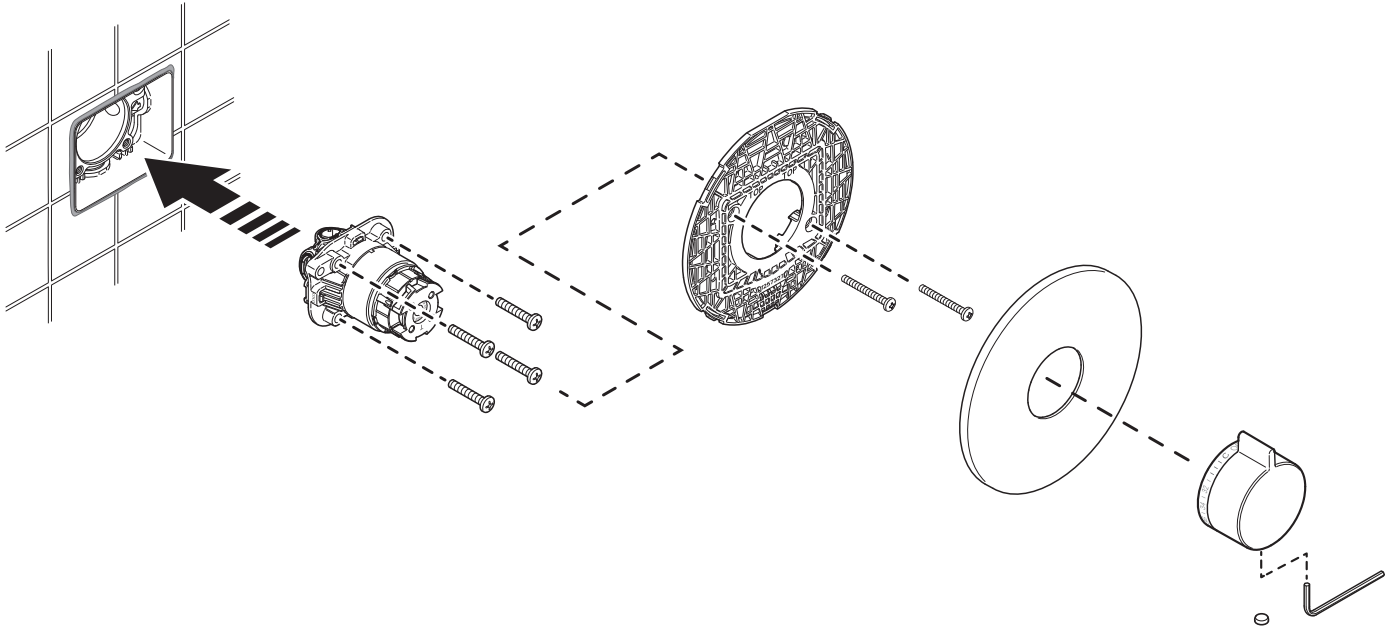
8.1.4 Rinse each filter in clean warm water, removing any dirt or debris. Renew if the filter mesh is damaged. Refit the seals/filters and ensure the parts are fitted into the grooves fully.



8.1.5 Refit the shower control unit. Restore the water supplies and check for leaks.

Refit the concealing plate, temperature trim and handle.

Check the operation of the shower.



8. MAINTENANCE - CONTINUED

8.2 Surface Cleaning

All finishes: Clean the finish with mild soap and warm water. Wipe entire surface completely dry with clean soft cloth. Many cleaner may contain chemicals, such as ammonia, chlorine, toilet cleaner etc, which could adversely damage the finishes and are not recommended for cleaning.

8.3 In-service Tests

The mixer shall be verified against the original set temperature results once a year. When testing is due the following performance checks shall be carried out.

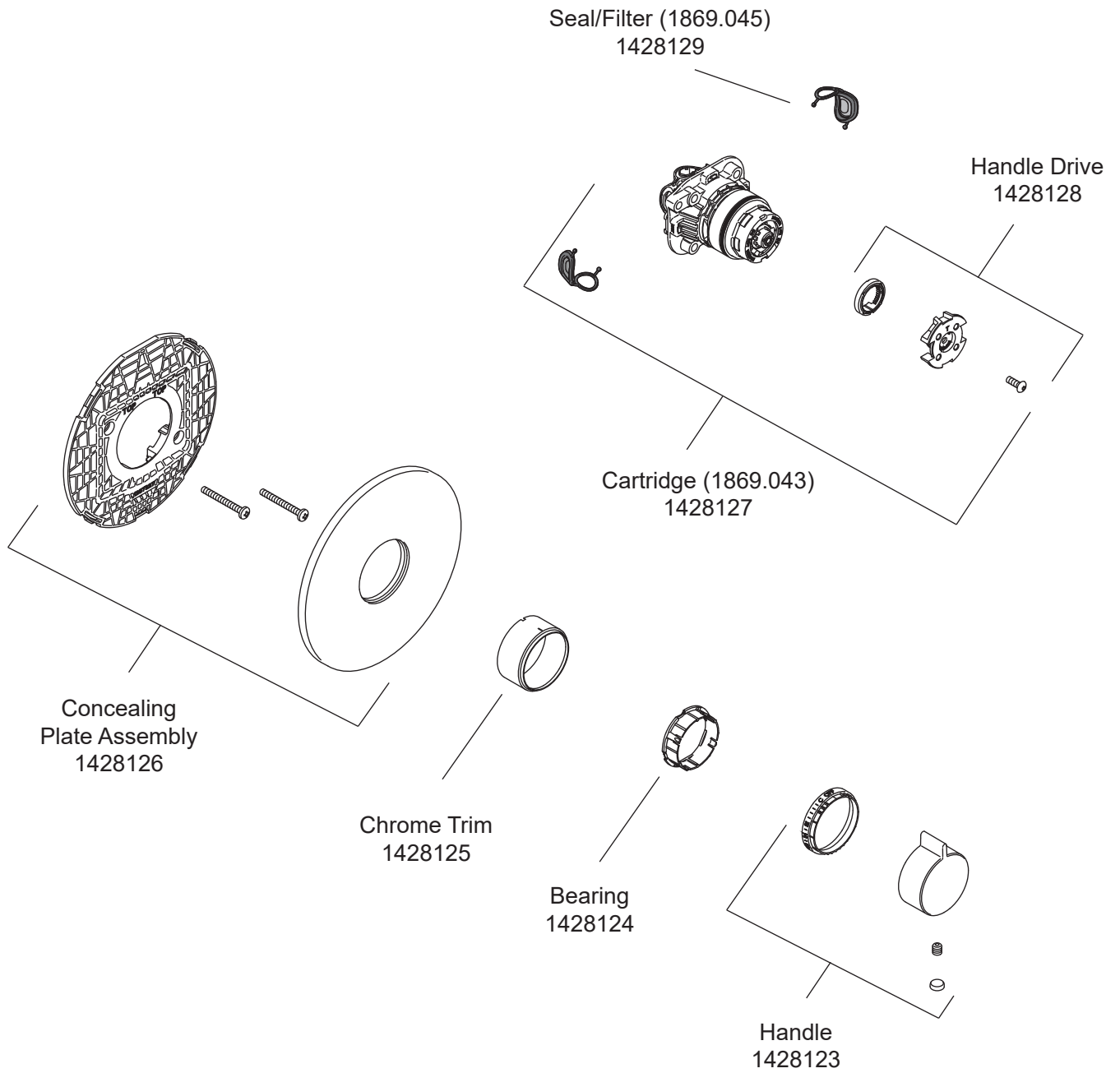
8.3.1 Measure the mixed water temperature at the outlet.

8.3.2 Carry out the cold water supply isolation test by isolating the cold water to the mixer. Check if the shower control unit could shut the hot water supply off concurrently.

8.3.3 Wait for five seconds if water is still flowing, check if the temperature is below 46°C.

8.3.4 If there is no significant change to the set outlet temperature (+/- 2°C or less) and the fail-safe shut off is functioning, then the mixer is working correctly and no further service work is required.

9. SPARE PARTS LIST



NOTES

NOTES

CONTACT INFORMATION

NEW ZEALAND
KOHLER NZ LTD

Free Ph: 0800 100 382
Free Fax: 0800 664 488
www.inglefield.co.nz

AUSTRALIA
KOHLER AUSTRALIA

Free Ph: 1 800 ENGLEFIELD
(1 800 364 533)
www.inglefield.com



Trusted in New Zealand Since 1982