

# INSTALLATION INSTRUCTIONS



**TAPWARE** | STUDIO™ MASTERFLOW® KITCHEN MIXER  
STUDIO PIN™ MASTERFLOW® KITCHEN MIXER

97532A  
97532A-4

## BEFORE YOU BEGIN:

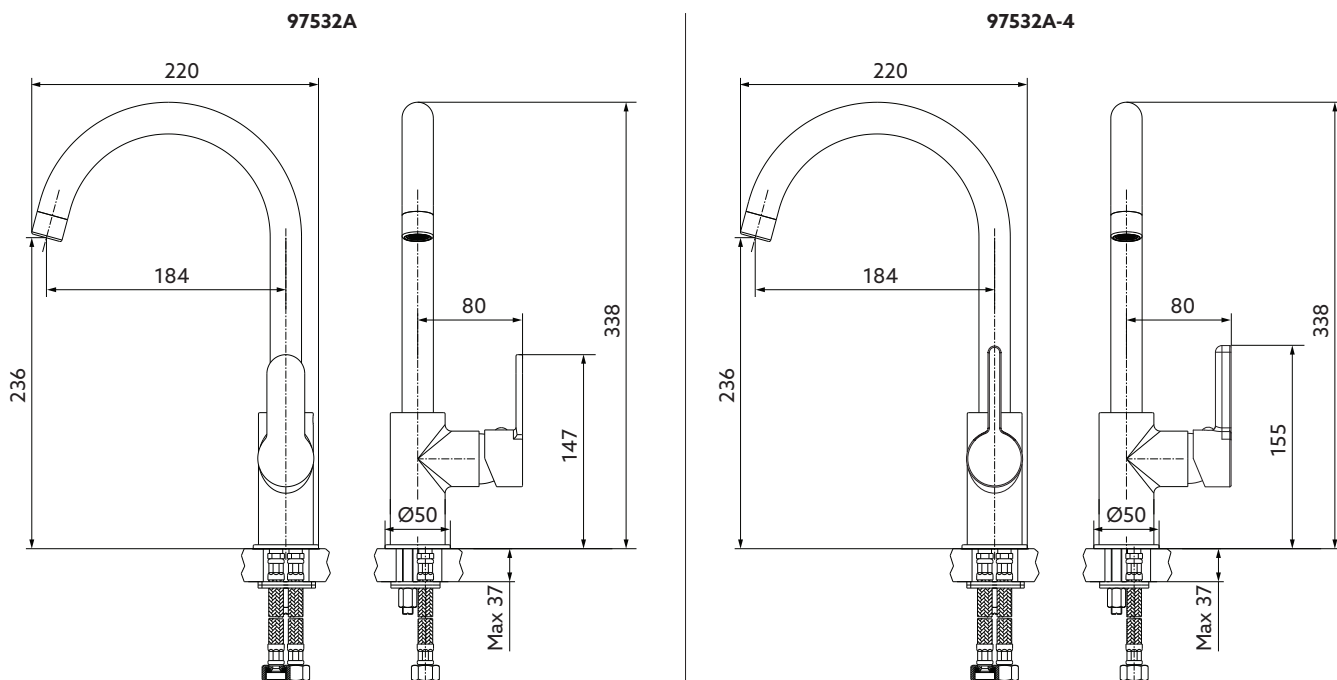
All information is based on the latest product information at the time of publication. Englefield reserves the right to make changes in product characteristics, packaging, or availability at any time without notice.

Please leave this installation instruction for the consumer as it contains important information.

### Notes:

1. Flush the water supply pipes thoroughly to remove debris before installation.
2. An in-line water filter must be used with this product.
3. This mixer is intended for both equal and unequal hot & cold water pressures.
4. This mixer is not suitable for use in uncontrolled heating systems such as a wet-back or solar heating system, unless a proper tempering valve is installed.
5. Operating pressure:
  - Equal pressure: Min. 35kPa, Max. 500kPa. If supply exceeds 500kPa a pressure limiting valve must be installed.
  - Unequal pressure: Hot: Min. 35kPa, Max. 120kPa, Cold: Min. 300kPa, Max. 500kPa.
6. Operating temperature:
  - Cold: 5°C to 20°C, Hot: 50°C to 65°C.
7. All connections must be checked for leaks after installation.
8. Ensure all local plumbing codes are observed.
9. All installations should comply with the relevant requirements of AS/NZS3500 & AS/NZS6400.
10. **DO NOT** hydrostatic test the water supply pipe installation with this mixer installed. Damage to the ceramic cartridge may occur.
11. Use only water to pressure test this product. Before the test, ensure to flush any air from the mixer & pipework thoroughly. Max. test pressure 800kPa and Max. test duration 30 minutes.

## ROUGH-IN:



All dimensions in millimetres

### 1(A). EQUAL MAINS PRESSURE INSTALLATION:

Proceed directly to Step 2 & install the basin mixer as supplied.

**Note:** No MASTERFLOW® jet nozzle kit is required under equal mains pressure condition.

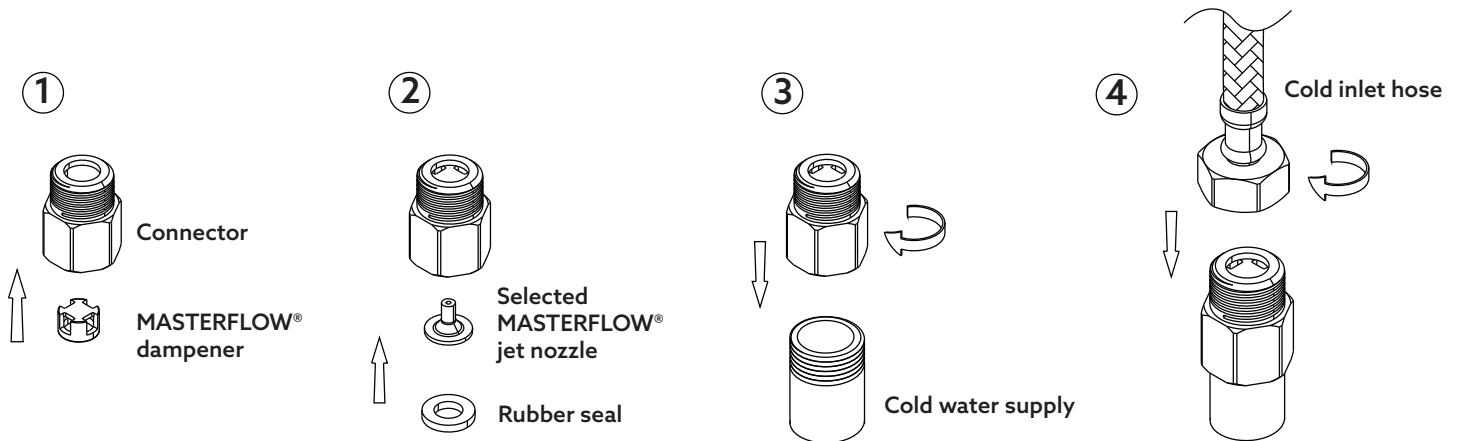
### 1(B). UNEQUAL PRESSURE INSTALLATION:

Under unequal pressure conditions, a supplied MASTERFLOW® jet nozzle kit & a supplied flow straightener **or** flow aerator shall be fitted and used together to enhance the mixed flow rate and to improve the mixed temperature control.

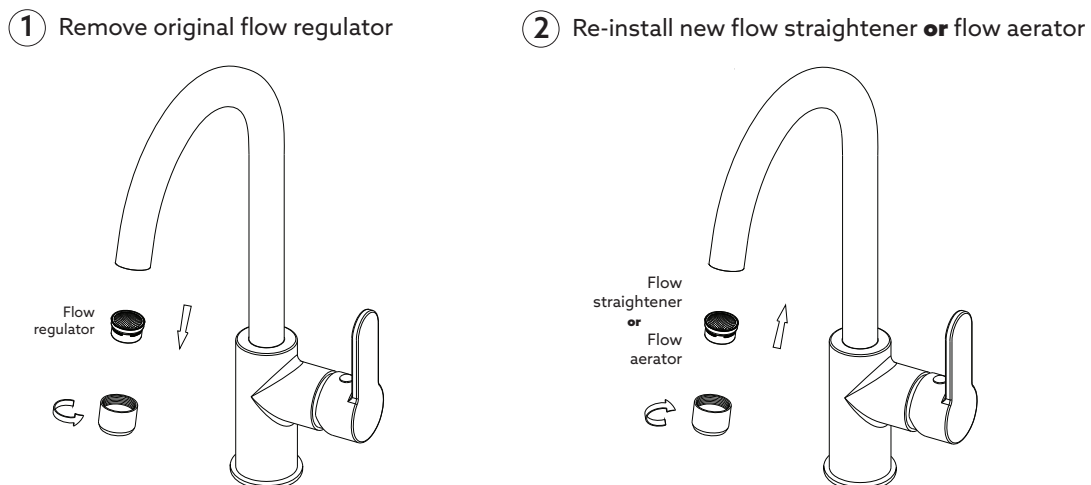
Use below information to select the jet nozzle & flow straightener **or** flow aerator to be used.

| Hot inlet pressure | Colour of jet nozzle | Flow straightener/flow aerator |
|--------------------|----------------------|--------------------------------|
| 35kPa              | White                | Flow straightener (Bag A)      |
| 76kPa              | Yellow               | Flow aerator (Bag B)           |
| 120kPa             | Red                  | Flow aerator (Bag B)           |

Assemble the selected MASTERFLOW® jet nozzle kit as shown below. Install between the cold water supply and the cold inlet hose.



Replace the original flow regulator in the mixer with the selected new flow straightener **or** flow aerator as shown below.

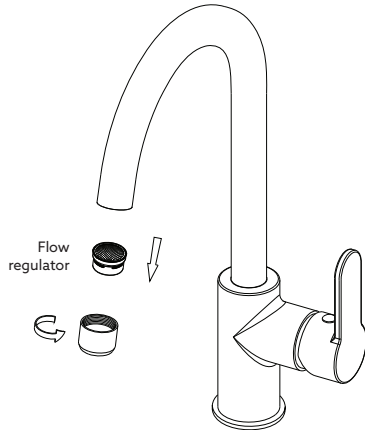


## 1(C). EQUAL LOW PRESSURE INSTALLATION:

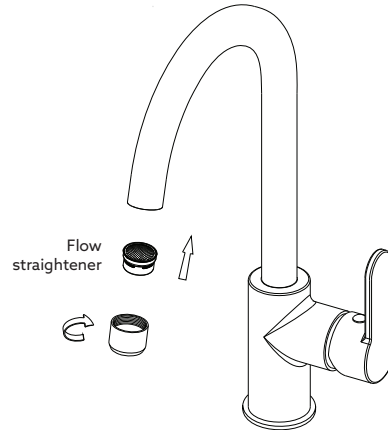
Under equal low pressure conditions, replace the original flow regulator in the mixer with the supplied flow straightener (from Bag A).

**Note:** No MASTERFLOW® jet nozzle kit is required under equal low pressure condition.

① Remove original flow regulator

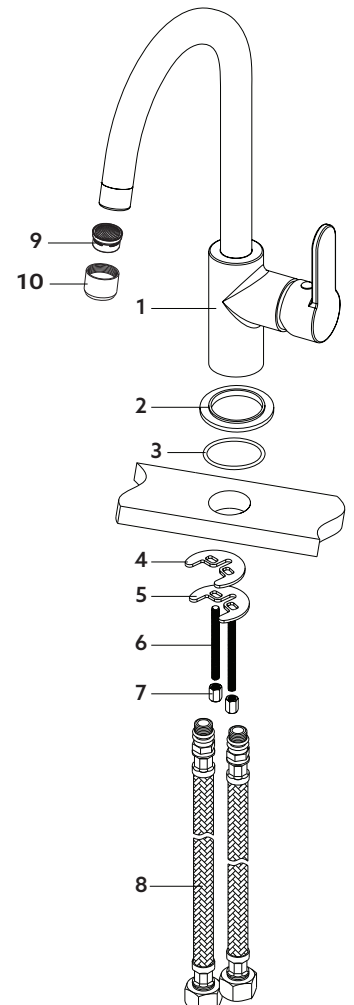


② Re-install new flow straightener (from Bag A)



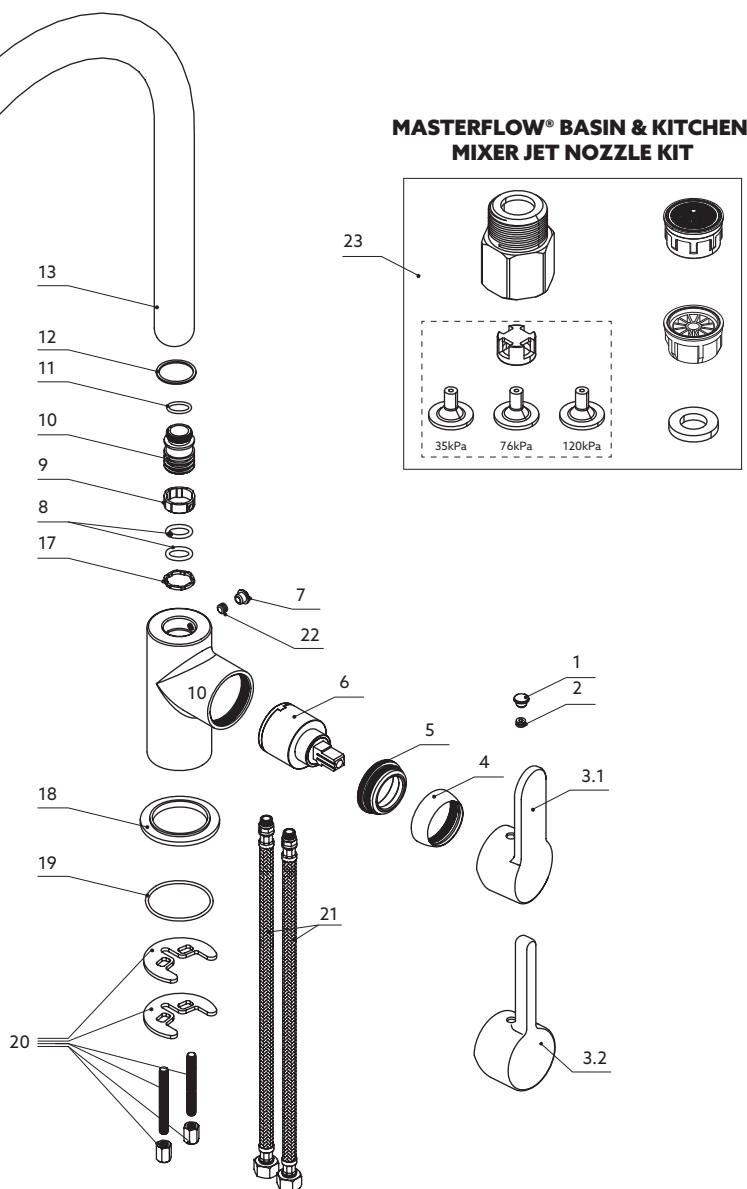
## 2. MIXER INSTALLATION:

1. Attach the inlet hose (8) to the mixer body (1).
2. Screw the threaded stud (6) into the mixer body and then place the O-ring (3) onto the base (2).
3. Feed the hose through the sink hole and position the mixer in place on the sink.
4. From the underside of the sink, place the rubber washer (4) on top of the mounting plate (5) and feed them over the threaded studs.
5. Fit the nuts (7) onto the threaded studs and tighten to secure the mixer.
6. Ensure that all connections are tight. Ensure that the handle is in OFF position.
7. Open the sink drain as necessary. Turn on main water supply and check for leaks.
8. Remove flow regulator/aerator/straightener (9) and shell (10). Turn on the mixer. Run hot & cold water through spout to remove any debris. Turn off the mixer.
9. Reinstall the flow regulator/aerator/straightener back and tighten the shell to prevent removal of the flow regulator by hand.



SPARE PARTS LIST:

| No. | Description                                     | Part No.   |
|-----|---|------------|
| 1   | Button  | 1250283-** |
| 2   | Screw   | 1250284    |
| 3.1 | Handle  | 1250302-** |
| 3.2 | Pin Lever                                       | 1329094-** |
| 4   | Bonnet  | 1250279-** |
| 5   | Nut   | 1250281    |
| 6   | Cartridge                                       | 1372775    |
| 7   | Button  | 1250283-** |
| 8   | O-ring  | 1250335    |
| 9   | Ring  | 1250334    |
| 10  | Joint   | 1250333    |
| 11  | O-ring  | 1250332    |
| 12  | Gasket  | 1250331    |
| 13  | Spout   | 1250330-** |
| 14  | Washer  | 1250285    |
| 15  | Flow Regulator                                  | 1250294    |
| 16  | Aerator Shell                                   | 1250291-** |
| 17  | Ring  | 1250336    |
| 18  | Base  | 1250307-** |
| 19  | O-ring  | 1250313    |
| 20  | Mounting Kit                                    | 1250272    |
| 21  | Inlet Hose                                      | 1250270    |
| 22  | Screw   | 1250284    |
| 23  | MASTERFLOW Basin & Kitchen Mixer Jet Nozzle Kit | 1612881    |



\*\* Please specify a colour when ordering: -CP (Chrome), -BN (Brushed nickel), -BL (Matte Black)

CONTACT AND WARRANTY INFORMATION:

**NEW ZEALAND**  
**KOHLER NZ LTD**

0800 100 382  
info@englefield.co.nz  
englefield.co.nz

**AUSTRALIA**

englefield.com



For warranty information, please visit our website.