

INSTALLATION INSTRUCTIONS



TOILET | EVORA II™ RIMLESS BACK-TO-WALL

With an Englefield toilet suite you can be sure of having excellence, comfort, durability and style. It's the details that Englefield cares about - from pioneering the latest technology to innovative design.



Note: The Evora II Rimless Back-to-Wall toilet suite is suitable for both a top rear entry & side entry water inlet.

BEFORE YOU BEGIN:

Before proceeding with installation, please read these instructions to familiarise yourself with the required tools, materials and installation sequences. Please leave these instructions for the consumer after installation.

Prior to installation, inspect the toilet to ensure that no damage has occurred in transit. If damage has occurred, or a visible defect exists, do not proceed with installation, and advise your supplier immediately.

CAUTION: Risk of personal injury or product damage. Handle with care. Vitreous China can break or chip if the product is handled carelessly.

Observe all local plumbing and building codes. Installation shall be in accordance with AS/NZS 3500 and AS/NZS 6400.

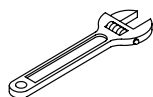
Carefully inspect the new toilet for damage.

If the existing toilet does not have a water supply shut-off valve below the cistern, install one before installing the new toilet.

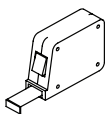
Water supply hose not supplied for side entry. Your plumber can provide a suitable hose of sufficient length from the shut-off valve to the cistern inlet.

WARNING: Ensure that no part of the cistern inlet hose is submerged in water.

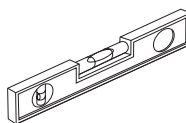
TOOLS IDENTIFICATION:



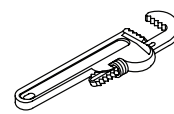
Adjustable Spanner



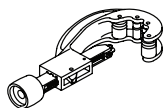
Tape Measure



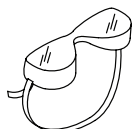
Level



Pipe Wrench



Tube Cutter



Safety Glasses



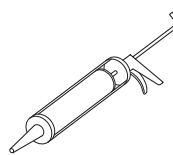
Drill & Bits



Sponge



Screw Driver

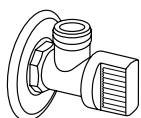


Caulking Gun

PLUS:

- Adjustable pliers
- Metal file
- 1/2" socket
- Hacksaw
- Silicone sealant
- Pencil

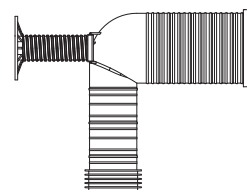
PARTS IDENTIFICATION:



Shut-off Valve
(not supplied)



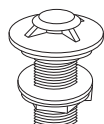
Side Entry Capping Plug
(supplied)



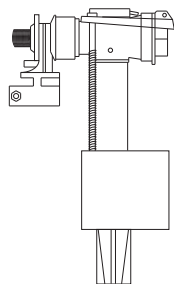
Vario Connector
(supplied)



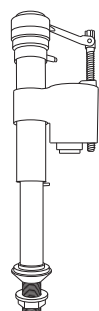
250mm hose for Top/Rear install
(supplied with cistern)



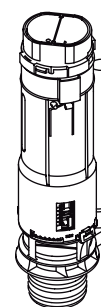
Cistern Bung
(supplied with cistern)



Side Inlet Valve
(for Top Rear Entry.
Supplied with cistern)



Bottom Inlet Valve
(supplied with cistern)



Flush Valve
(supplied with cistern)

PLUS:

- Pan fixing kit (supplied)
- Water supply hose for side entry (not supplied)

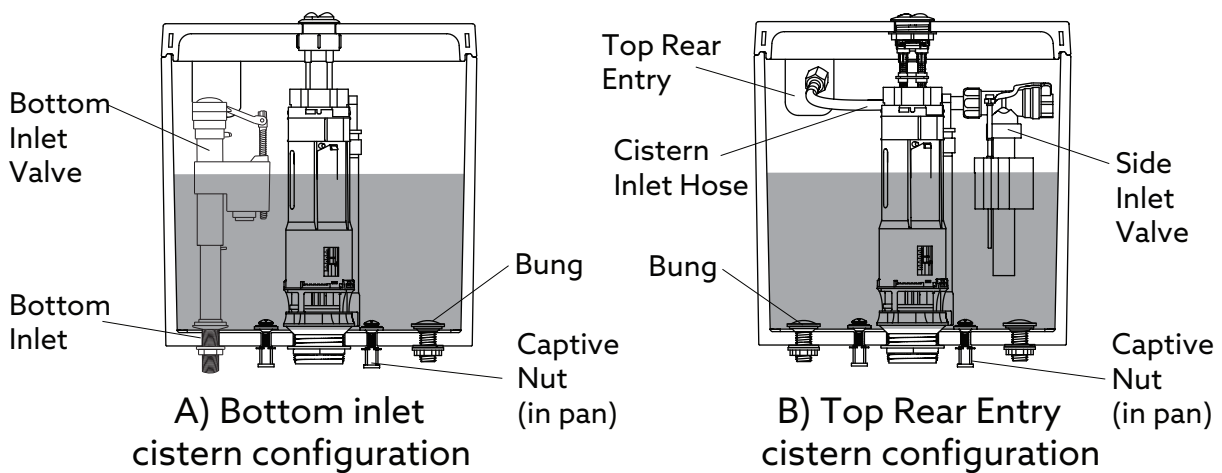
PREPARING TO INSTALL:

1. Remove the existing toilet: Turn off the water supply and flush the toilet, then sponge out all remaining water from the cistern. Disconnect the supply hose from the shut-off valve and remove the old pan and cistern.

CAUTION: Risk of hazardous gases. Temporarily stuff a rag in the closet flange. Ensure this is removed before installing the new toilet.

2. Identify the type of toilet installation:

A) Side Entry with Bottom Inlet Valve or B) Top Rear Entry with Side Inlet Valve. For Side Entry toilets, the bottom inlet valve is supplied with the cistern.

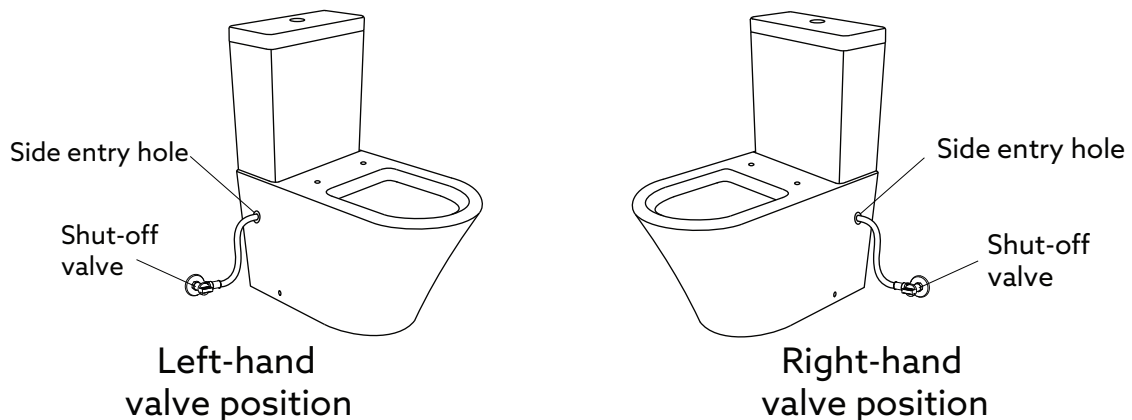


WARNING: Ensure that no part of the cistern inlet hose is submerged in water.

For Top Rear Entry installations, skip to page 6.

For Side Entry/Bottom Inlet installations, proceed with instructions below.

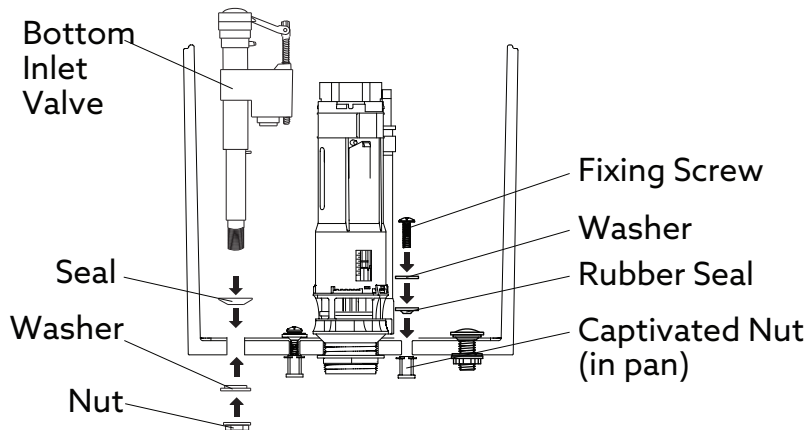
3. For Side Entry/Bottom Inlet installations, check the shut-off valve position.



NOTE: For shut-off valves positioned on the right-hand side, a longer water supply hose may be required (not supplied).

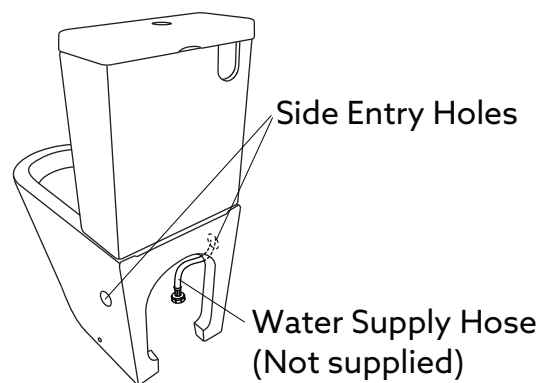
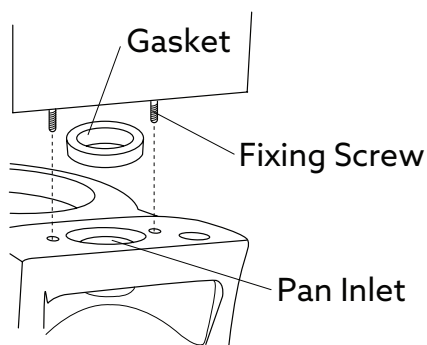
A). CISTERN INSTALLATION - BOTTOM INLET:

1. Remove & discard the Side Inlet valve and 250mm hose.
2. Install the Bottom Inlet valve to the cistern. Place the washers over the fixing screws and locate in cistern fixing holes.

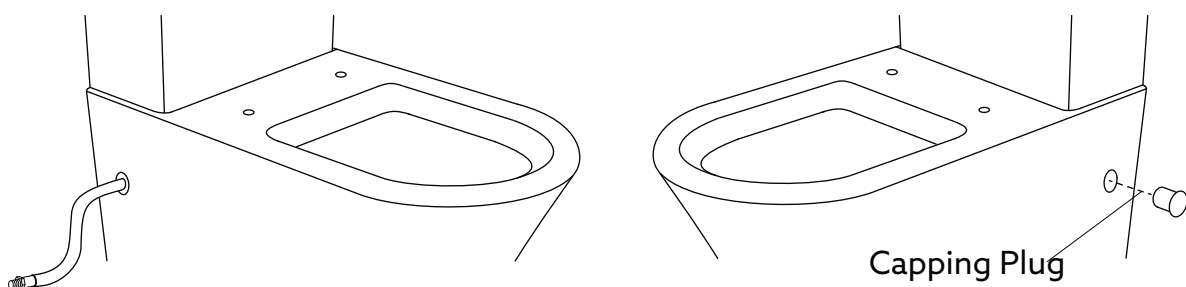


Note:
Bottom inlet valve has been preset to deliver a full flush volume of 4.5L.

3. Position the cistern on the pan by centering the gasket on the pan inlet. Securely tighten the fixing screws so the cistern is level.
4. Connect supply hose to cistern inlet and feed the supply hose through side hole in the pan.

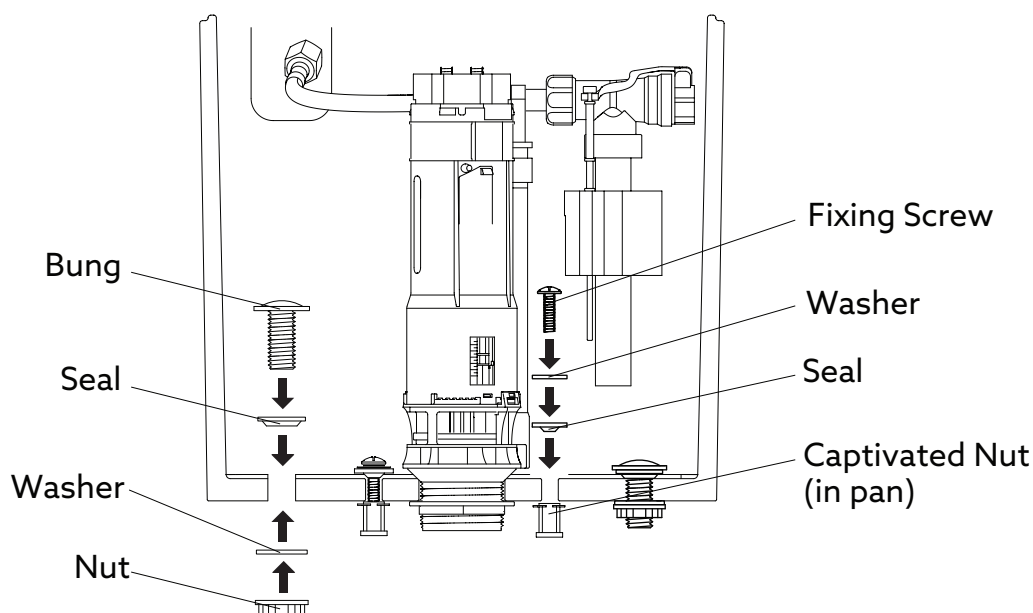


5. Connect the supply hose to the shut-off valve. Test for leaks. Insert a capping plug into the unused hole.

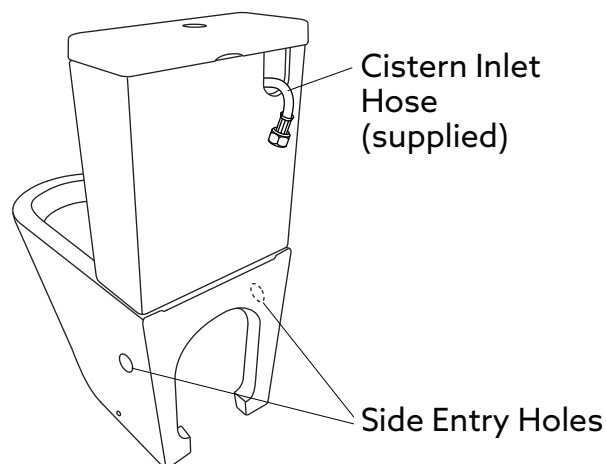
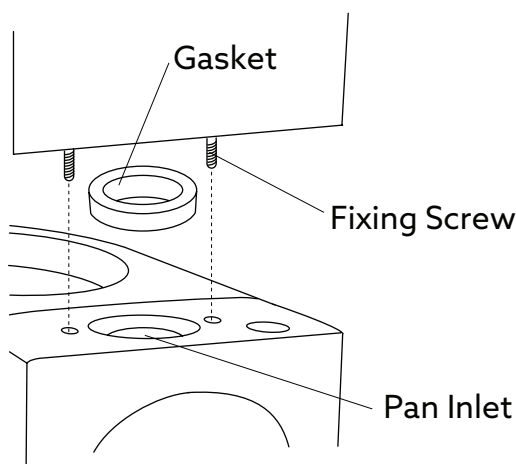


B). CISTERN INSTALLATION - TOP REAR ENTRY:

1. Securely install the bung into the bottom inlet of the cistern. Place the washers over the fixing screws and locate in cistern fixing holes.



2. Position the cistern on the pan by centering the gasket on the pan inlet. Securely tighten the fixing screws so the cistern is level.
3. Connect the supply hose to the cistern inlet and connect the hose to the water supply shut-off valve.



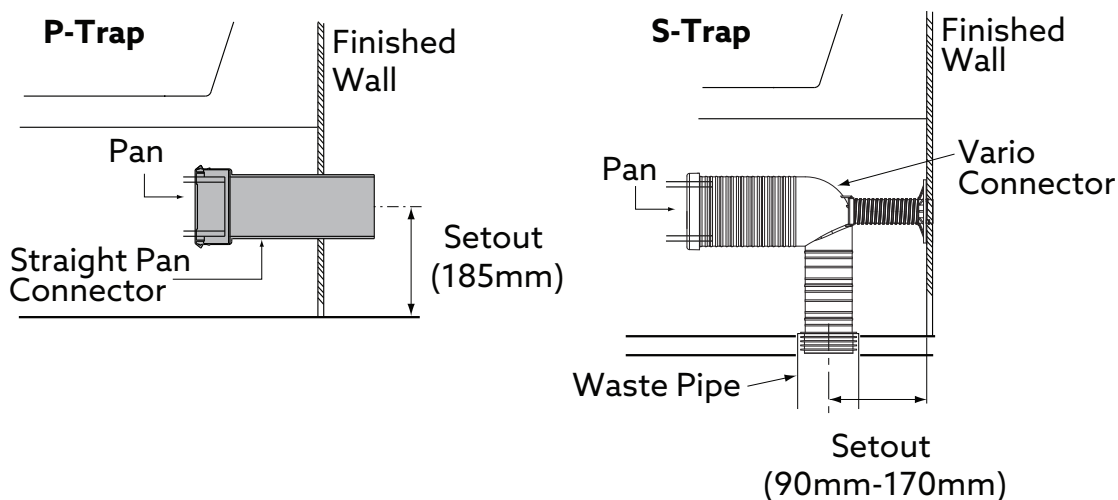
4. Insert capping plugs into the side entry holes in the pan.
5. Connect the supply hose to the shut-off valve to test the system for leaks. Shut off the water supply and disconnect the hose.

PAN INSTALLATION:

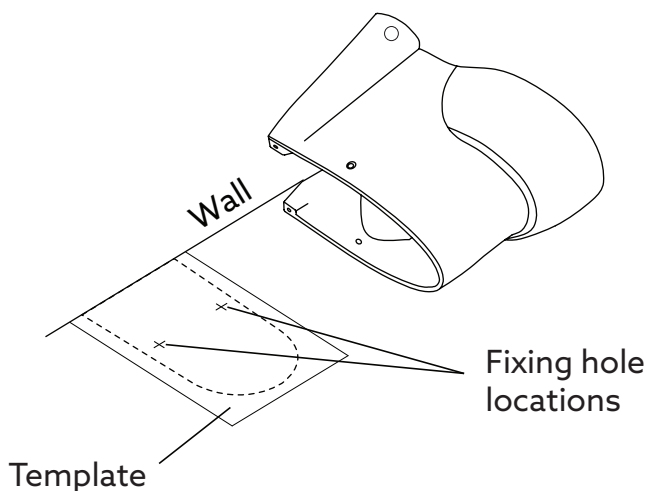
1. The pan can be installed as P-Trap or S-Trap.

For S-Trap installations please use the supplied Vario Pan Connector, and follow the included instructions.

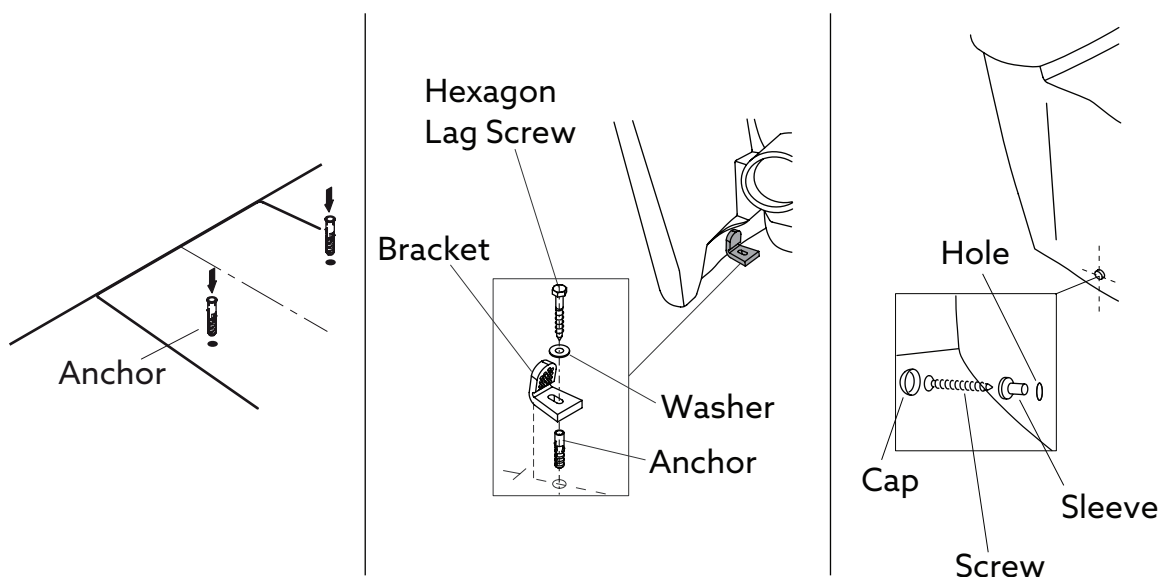
For P-Trap installations the straight pan connector is not supplied.



2. Use the template, mark the positions of floor fixing kit holes.



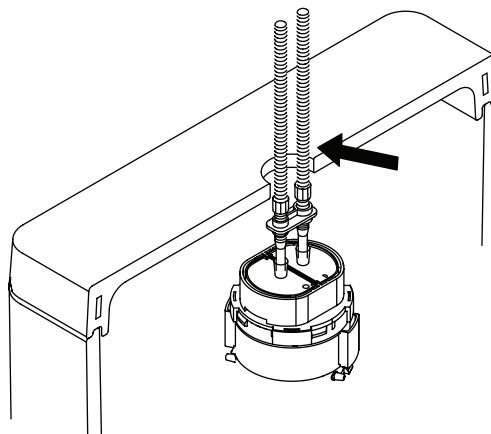
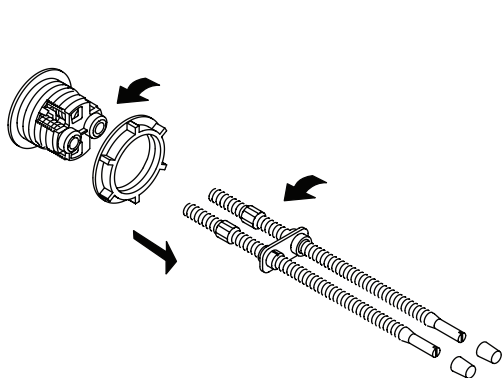
3. Drill fixing holes at the marked locations on the floor and insert the anchors where required.



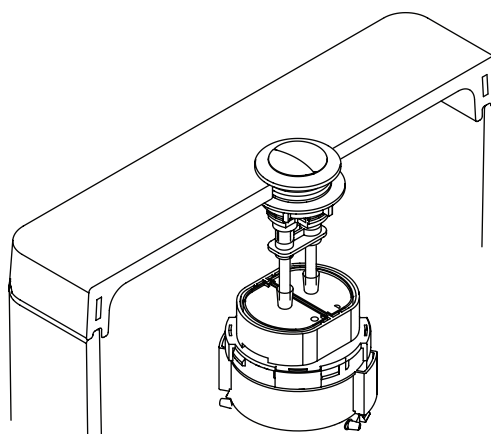
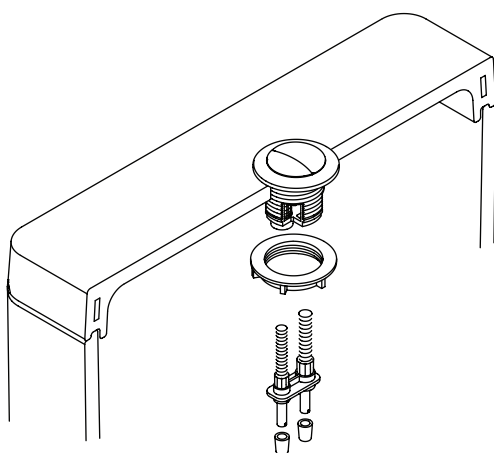
4. Place a washer onto each of the hexagon screws and fix the brackets to the floor.
5. Position the toilet in the marked location, while ensuring an effective connection is made with the pan connector.
6. Install the plastic screw sleeves and use the screws to fix the toilet to the brackets. Attached the chromed caps to the screw heads.

PUSH BUTTON INSTALLATION:

1. Disassemble the push rods.
2. Using the push rod, measure the distance between the flush valve and the top of the cistern lid. Mark this length and cut the push rod to length.

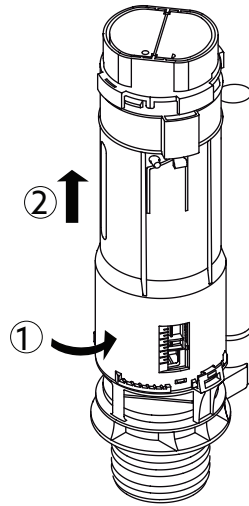


3. Reassemble the push rods.
4. Fit the lid and test the buttons. Adjust the rods as required.

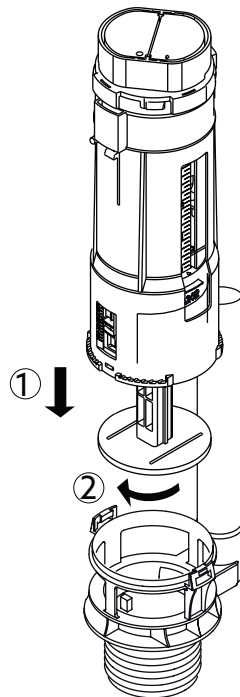


FLUSH VALVE REMOVAL AND INSTALLATION:

1. Release flush valve by turning anti-clockwise and pulling straight up on the canister.

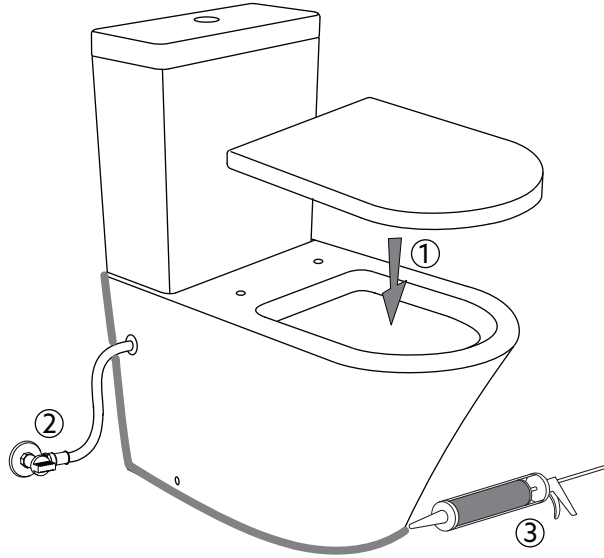


2. Assemble flush valve by pushing straight down into the canister and turning clockwise.



FINALISING INSTALLATION:

1. Install the seat as per the supplied seat instructions.



2. Make final connection of water supply hose to shut-off valve. Test the system for leaks.
3. Apply a suitable sealant between the pan and adjacent surface.

Your toilet suite is now installed.

CONTACT AND WARRANTY INFORMATION:

NEW ZEALAND
KOHLER NZ LTD

AUSTRALIA
KOHLER AUSTRALIA

Free Ph: 0800 100 382
Free Fax: 0800 664 488
www.inglefield.co.nz

Free Ph: 1 800 ENGLEFIELD
(1 800 364 533)
www.inglefield.com

For warranty information, please visit our website.

