

EVORA® FREESTANDING CORNER SHOWER OVER BATH - 1670 X 820mm



Right Hand



Left Hand

**Features/
Option:**

- New one piece acrylic shower-over-bath, with seamless integrated square apron.
- Size: 1670 (L) x 820 (W) x 520mm (H).
- Left or right options.
- 25mm moulded upstand for maximum water tightness at walls & under bath screen.
- Generous 820mm width for a more spacious showering or bathing experience.
- Optional bath pillow.

**Material/
Finish:**

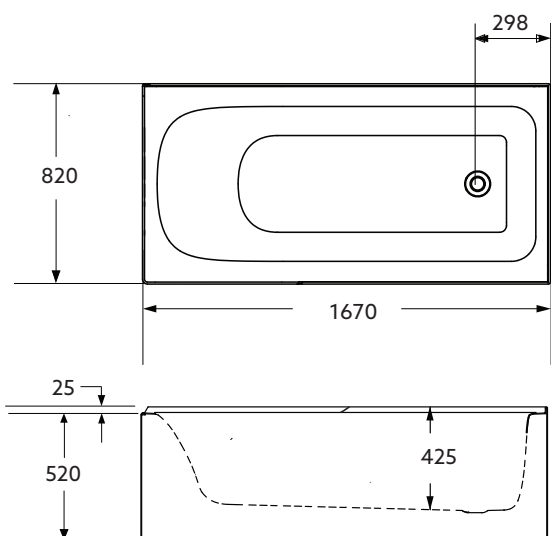
- Duracryl® acrylic.
- White

**Included
Components:**

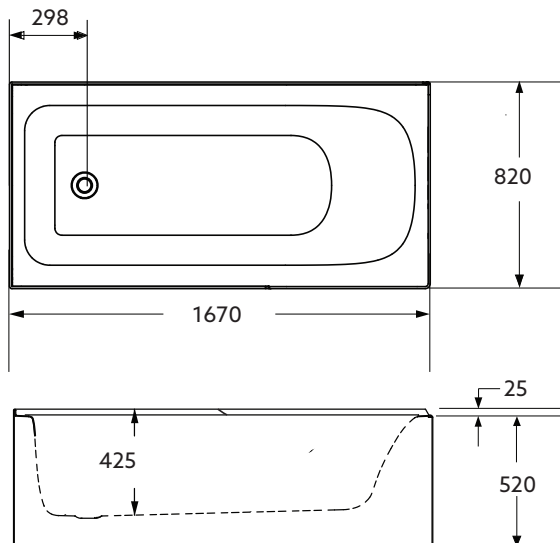
- One piece bath with integrated apron.

**Optional
Accessories:**

- Ario Rectangular Pillow (Charcoal).
- 40mm pop-up bath waste.
- Flexible waste and trap system.



Left Hand



Right Hand

Product Codes:

Bath	Left Hand	Right Hand
	29794A-0	29795A-0
Optional Accessories	Ario Rectangular Pillow (Charcoal).	1091A-58
	40mm Bath Waste.	993229-CP
	Flexible waste and trap system	80144A-NA



New Zealand
Kohler New Zealand Limited
 0800 100 382
 info@englefield.co.nz
 englefield.co.nz

Australia

 englefield.com

All measurements shown.
 are in millimetres.
 Sizes are approximate.

June 2023
 1545496 -A04-B