

# FURNITURE

## VALENCIA® / VALENCIA ELITE® 900mm Wall Hung Single Bowl/Single Drawer Vanity



### Features:

- Wall-hung.
- 3 colour options.
- Single integrated bowl with overflow.
- One pre-drilled tap hole.
- One spacious soft-close drawers for storage.
- Drawer partitions for keeping bottles standing upright.
- Moisture resistant exterior.
- Fully enclosed rear for easy installation.

### Colour/Finish Options:

- Top:  White
- Cabinet:  White  Coastal Oak  Urban Oak

### Material:

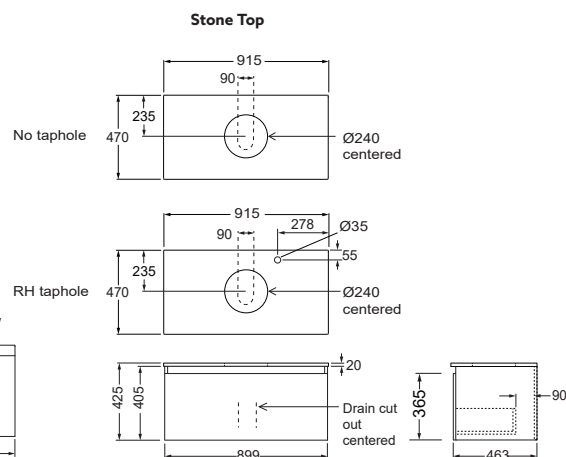
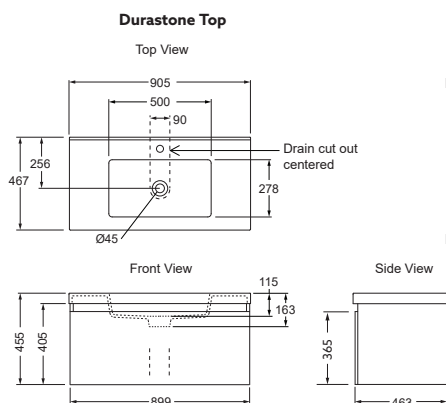
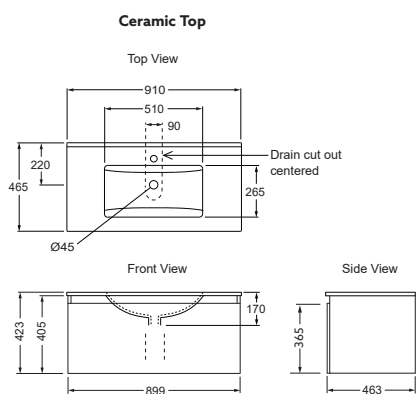
- Top: Choose between Ceramic or Durastone®.
- Cabinet: Particle board.
- External surfaces: High gloss polyurethane paint (White) or timber look laminate (Coastal Oak & Urban Oak).

### Included Components:

- Vanity cabinet.
- Vantiy top.
- Chrome overflow cover.

\*Tapwares shown not included.

### Technical Details:



### Product Codes:

	Durastone	Ceramic Top
900 mm Vanity	Wall Hung	Wall Hung
White	77299A-0	30027A-0
Coastal Oak	77299A-LW	30027A-LW
Urban Oak	77299A-DW	30027A-DW



**New Zealand**  
**Kohler New Zealand Limited**  
 0800 100 382  
 info@englefield.co.nz  
 englefield.co.nz

**Australia**  
 englefield.com

All measurements shown  
 are in millimetres.  
 Sizes are approximate.

September 2023  
 1564366-A04-B