

Englefield Side Recessed Shower Walls

The Englefield Side Recessed wall has been innovated to create a modern, minimalist storage solution that offers unique space saving by egressing into the framing cavity of your bathroom wall (see specifications and installation guide). This affords you additional storage without losing any of the internal space within the shower enclosure. The Englefield Side Recessed acrylic wall liner is protected by Design Registration # 426858 (NZ) and 202010444 (Aus).



Wall Options

- Shape:** 2 or 3 sided, reversible.
Size: 750 x 900mm corner
 900 x 900mm corner
 1000 x 1000mm corner
 1200 x 900mm corner
 750 x 900 x 750mm alcove
 900 x 750 x 900mm alcove
 900 x 900 x 900mm alcove
 900 x 1200 x 900mm alcove
 1000 x 1000 x 1000mm alcove

Material/Finish

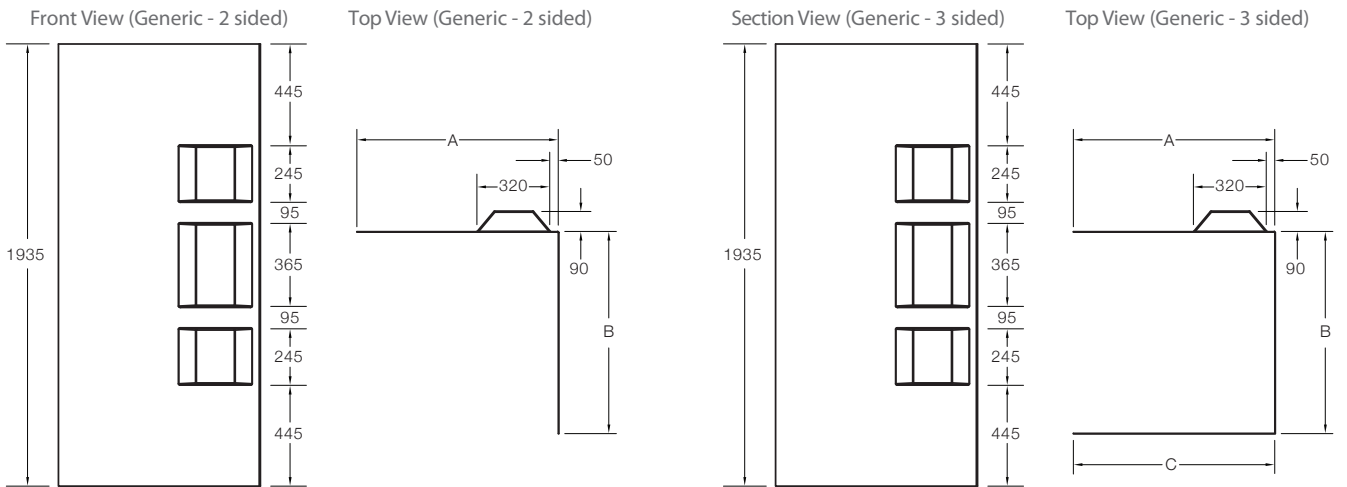
White 2mm thick Duracryl[®] sanitary grade acrylic. 1935mm height, designed to fit within standard NZ building frame specifications when used with an Englefield[®] Quick Fit Low Profile Tray (60-70mm sill). Suits 400mm or 600mm stud centres, minimum 90mm cavity depth with nogs in accordance with NZS 3604.

Included Components

One-piece moulded recessed acrylic wall liner.

Additional Components

Adhesive and silicone pack.



Product Codes

2-Sided Wall, 1935mm Height		Dimensions A B	
750 x 900mm	705032A-0	734	884
900 x 750mm	705031A-0	884	734
900 x 900mm	705027A-0	884	884
900 x 1200mm	705030A-0	884	1184
1000 x 1000mm	705028A-0	984	984
1200 x 900mm	705029A-0	1184	884

3-Sided Wall, 1935mm Height		Dimensions A B C		
750 x 900 x 750mm	705037A-0	739	860	739
900 x 750 x 900mm	705036A-0	885	742	885
900 x 900 x 900mm	705035A-0	884	860	884
900 x 1200 x 900mm	705033A-0	884	1160	884
1000 x 1000 x 1000mm	705034A-0	984	960	984

* Recessed feature on side in **bold**

INSTALLATION NOTE: The moulded feature sits within the wall cavity. Ensure that there are no obstructions that prevent installation.



Trusted in New Zealand Since 1982

New Zealand
 133 Diana Drive, Glenfield, Auckland, NZ
 PO Box 100-146 NSMC, Auckland, 0745
 Ph: 0800 100 382 Fax: 0800 66 44 88
www.Englefield.co.nz

Australia
 PO Box 154, Clifton Hill, Vic 3068
 Ph: 1800 ENGLEFIELD (1800 364 533)
www.Englefield.com

All measurements shown are in millimetres. Sizes are approximate.

February 2021
 1409710-A04-C