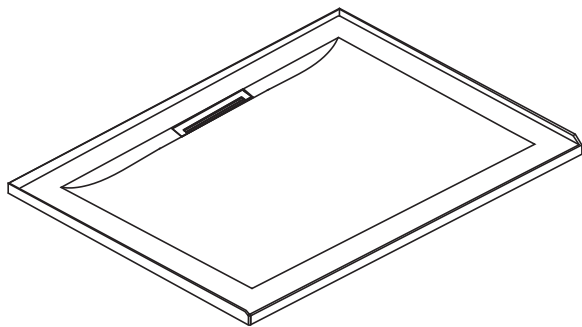


SHOWER TRAY

Flight Level Shower Tray- 1700x 900mm

The new Englefield shower tray, suitable for any bathroom with the minimalistic, has a sleek design, and an innovative Flight material ensuring the long lasting look.



Features/ Option:

- Size: 1705x905mm.
- Alcove/3 side installation only.
- Minimal 25mm tray front sill height.
- BioCote® technology fights mould and bacteria, reducing it by up to 99.9%.

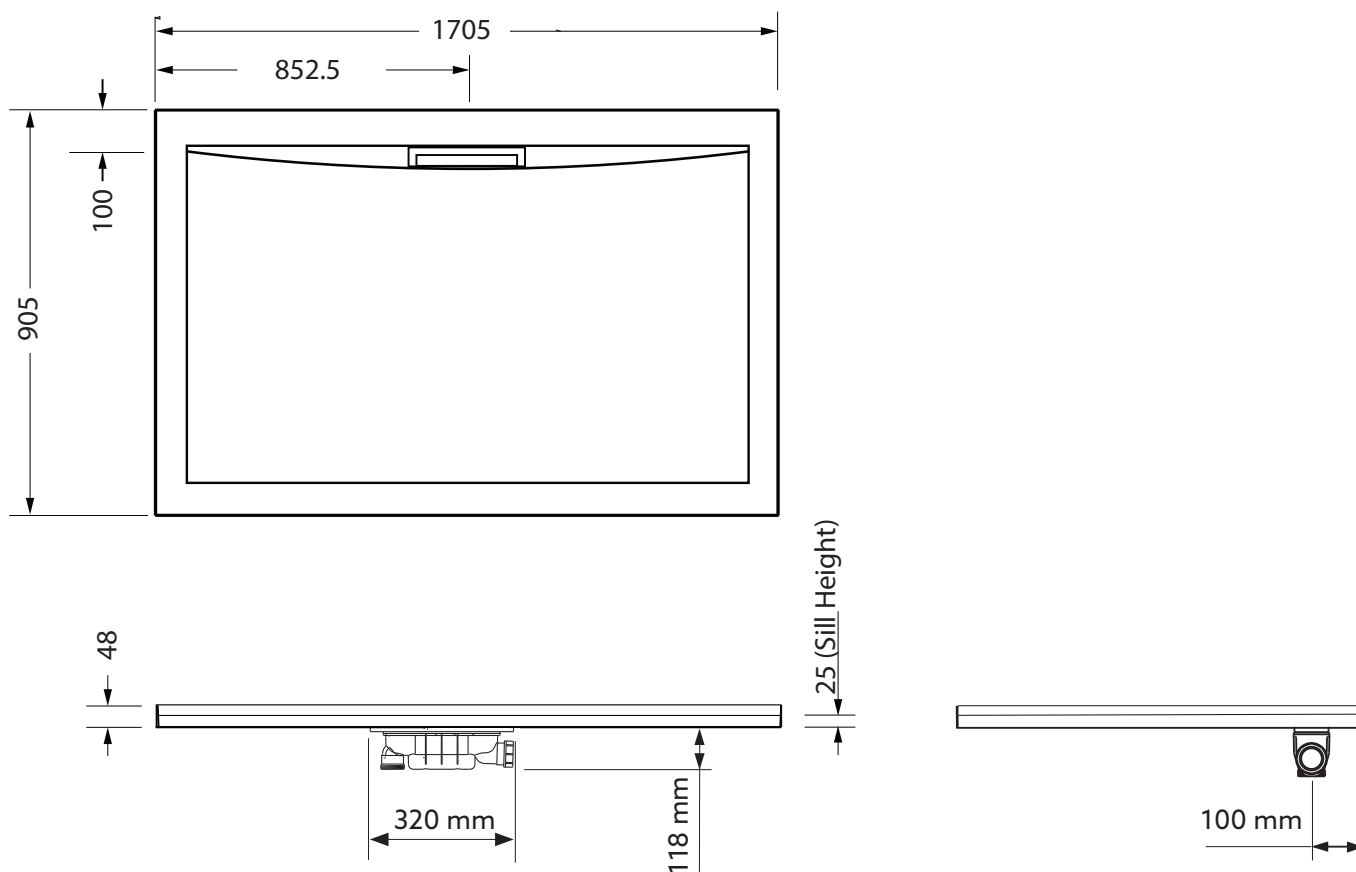
Material/ Finish:

- Acrylic surface with BioCote® technology incorporated.
- Polyconcrete core.
- White finish.

Included Components:

- Slot Waste with removable trap. (Packed with the tray).

Weight: -45 kg



Product Codes:

Flight Level Tray
1700 x 900

29336A-NP



New Zealand
Kohler New Zealand Limited
0800 100 382
info@englefield.co.nz
englefield.co.nz

Australia

englefield.com

All measurements shown are in millimetres.
Sizes are approximate.

1575735_A04_C
June 2024

Waste - Flight Level Shower Tray

Discreet side waste for a minimalistic style and maximum standing area.
Designed to perfectly complement the Flight Level Shower Trays.



**Features/
Option:**

- The removable waste trap makes cleaning easier and catches stray hairs, helping to prevent blockages.
- Unique waste design allows choice of horizontal or vertical outlet pipe connection.
- 40 mm discharge connections.
- Reversible installation.
- 50 mm water seal (complies with AS/NZS 3500.2: 2018 paragraph 6.5.2)
- Flow rate 25 l/min.

**Material/
Finish:**

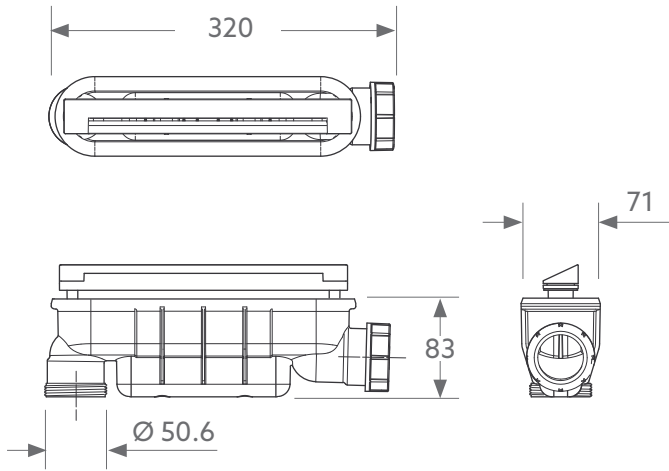
- Body: Polypropylene, black.
- Cover: Eastman Tritan™ copolyester, white.

**Included
Components:**

- Waste Cover
- Waste Body

**Dry
Weight:**

-0.5 kg



Product Codes:

Waste Cover White Gloss	1319443
Waste Body	1319440

Note: Not sold separately



New Zealand
Kohler New Zealand Limited
 0800 100 382
 info@englefield.co.nz
 englefield.co.nz

Australia

englefield.com

All measurements shown are in millimetres.
 Sizes are approximate.

1575735_A04_C
 June 2024