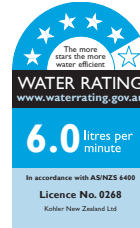


STUDIO PIN™ MASTERFLOW® BASIN MIXER



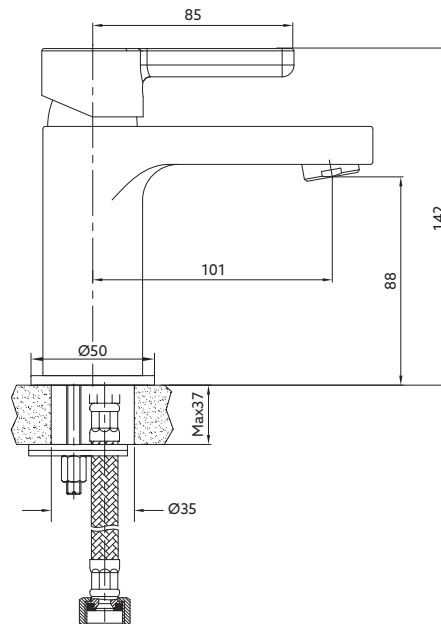
Features

- MASTERFLOW® all pressure technology, suitable for equal & unequal hot & cold water pressures.
- Enhanced flow and smoother temperature control.
- DZR brass construction.
- Ceramic disc cartridge.
- Hardwearing polished chrome finish.
- Watermark certified.
- Easy to install.



Product SKU#	Product Description
97531A-4-CP	STUDIO PIN™ MASTERFLOW® BASIN MIXER

Rough In



All measurements shown are in millimetres.

Installation Notes:

1. This mixer is intended for both equal and unequal hot & cold water pressures.
2. Operating pressure:
 - Equal pressure: Min. 35kPa, Max. 500kPa.
 - Unequal pressure: Hot: Min. 35kPa, Max. 120kPa, Cold: Min. 300kPa, Max. 500kPa.
3. Operating temperature: Cold: 5°C to 20°C, Hot: 50°C to 65°C.
4. All installations should comply with the relevant requirements of AS/NZS3500 & AS/NZS6400.
5. **DO NOT** hydrostatic test the water supply pipe installation with this shower mixer installed. Damage to the ceramic cartridge may occur.
6. Use only water to pressure test this product. Maximum test pressure 800kPa and maximum test duration 30 minutes.
7. Flush the water supply pipes thoroughly to remove debris before installation and an inline water filter must be used with this product.



New Zealand
 KOHLER NEW ZEALAND LTD
 Ph: 0800 100 382
 info@englefield.co.nz
 englefield.co.nz

Australia

englefield.com

Sept 2024
 1622523-A04-A