

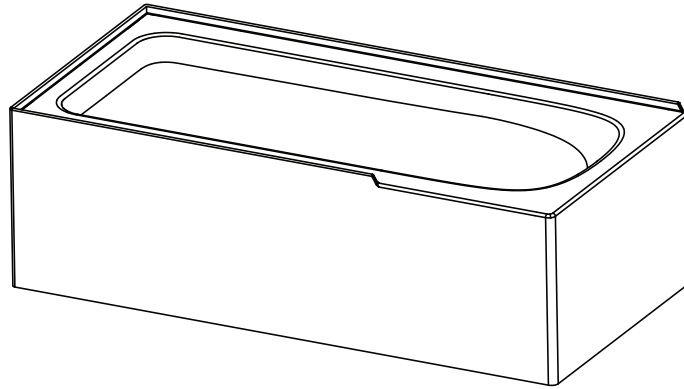
INSTALLATION INSTRUCTIONS

Englefield

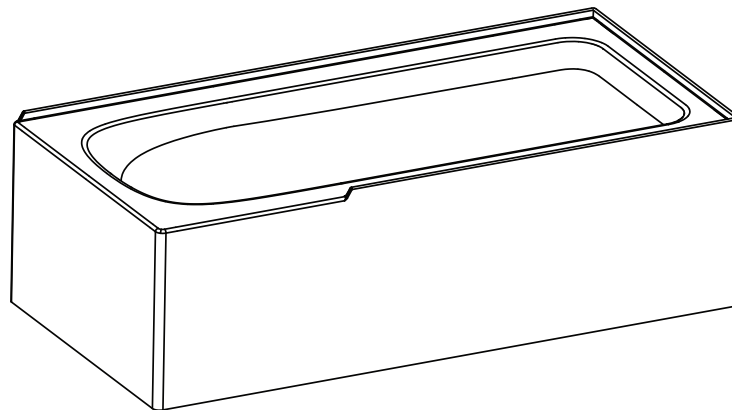


29794A-0
29795A-0

BATHS | EVORA® SHOWER OVER BATH



**RIGHT HAND
29795A-0**



**LEFT HAND-
29794A-0**

WARNING: The Freestanding bath is very heavy. Please ensure that the floor is structurally sound and provides adequate support for the bath, water and the user. A mechanical lifting device is advised when manoeuvring the bath.

NOTE: Check the rough-in and room dimensions to provide adequate available space for the bath unit. Arrange the location of the drain in advance and ensure that the flooring is prepared to allow space for the drain. Ensure that the floor is level.

BEFORE YOU BEGIN:

IMPORTANT: Carefully unpack the bath and check for transit damage and general acceptability and report any faults immediately to your supplier.

Installers are responsible for damage that occurs during installation and no claims for damages will be accepted once the bath has been installed.

Before installing the bath, please read these instructions carefully to familiarize yourself with the required tools, materials, and installation sequences.

After completing the installation, please leave these instructions for the consumer for further reference and change of ownership.

SAFETY:

1. Follow all warnings, cautions and instructions contained in this guide.
2. **Warning!** Two-person lift.
3. Wear protective footwear when lifting and shifting the bath.
4. Wear safety glasses when drilling.

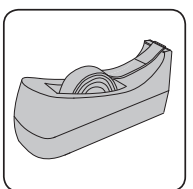
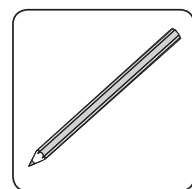
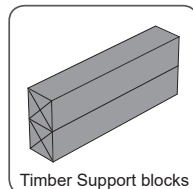
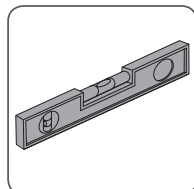
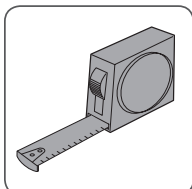
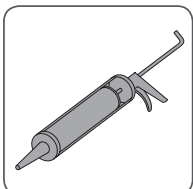
ATTENTION:

1. Flow rate into the bath must not exceed **25 litre per minute**. Excessive flow rates may lead to overflowing and leaking.
2. We recommend a drainage test is carried out to ensure the waste pipe work is adequate for the flow delivered.
3. The waste should be located to allow good access for maintenance or replacement with minimum disruption. Kohler NZ will not be liable for any cost associated with access restrictions and subsequent works.
4. Building requirements can vary, local regulations must be checked prior installation.

NOTE:

It is the responsibility of the installer to ensure that the installation complies with council and local authority by laws.

TOOLS AND MATERIALS REQUIRED:



BATH INSTALLATION:

- ⚠ Install bath wall as per instructions supplied with the bath wall.
- ⚠ Install bath screen as per instructions supplied with the bath screen.
- ⚠ The floor area must be flat, level, clean, and free of any bumps and protrusions.
- ⚠ Additional protective coverings such as dust sheet should be used to protect the bath from falling objects during installation and cover the waste opening to prevent loss of small parts during installation.

**Option 1:
Installation with acrylic wall:**

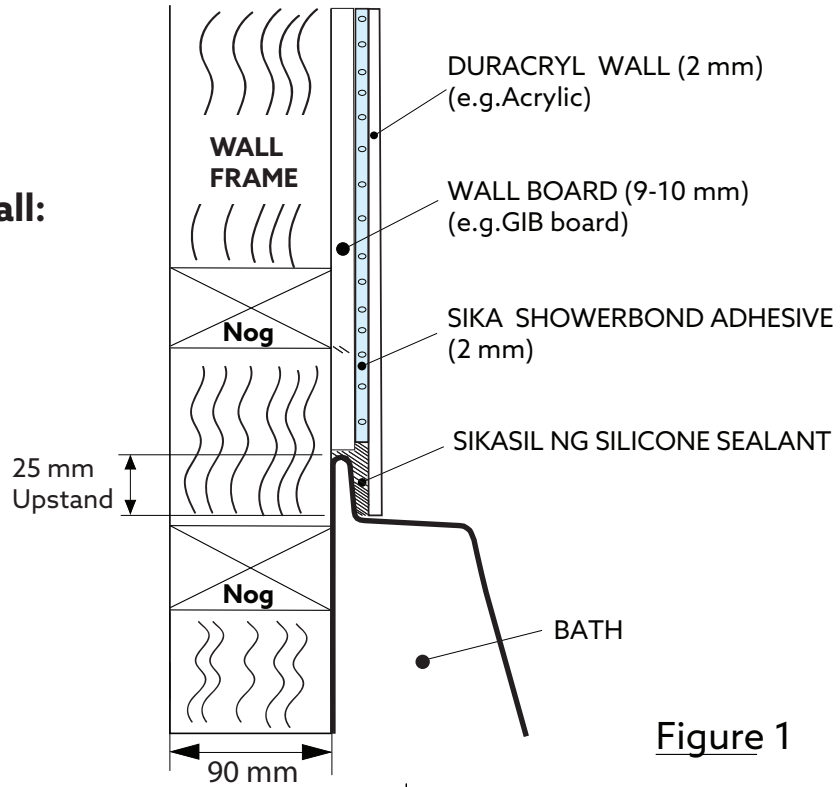


Figure 1

**Option 2:
Wet area wallboard and tiles:**

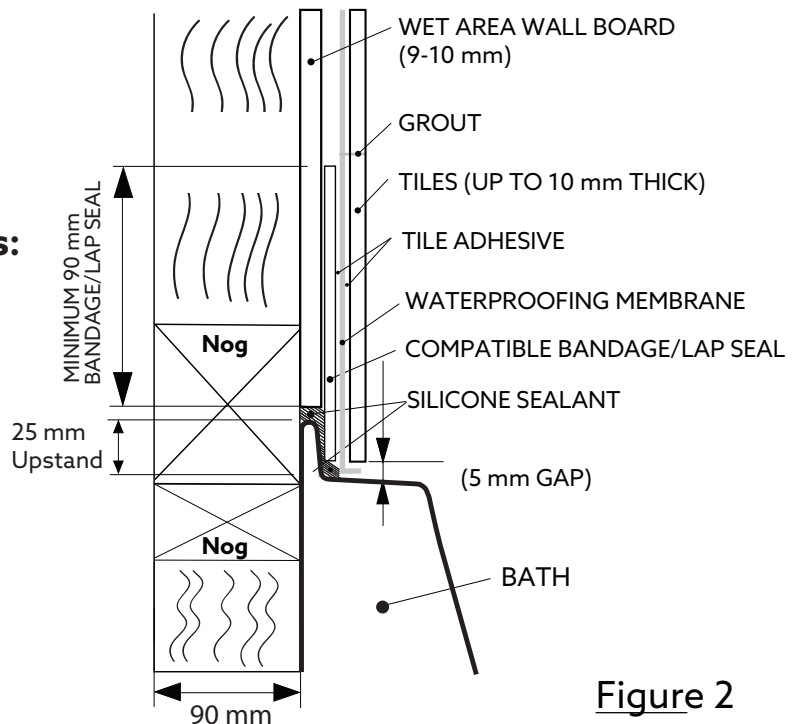


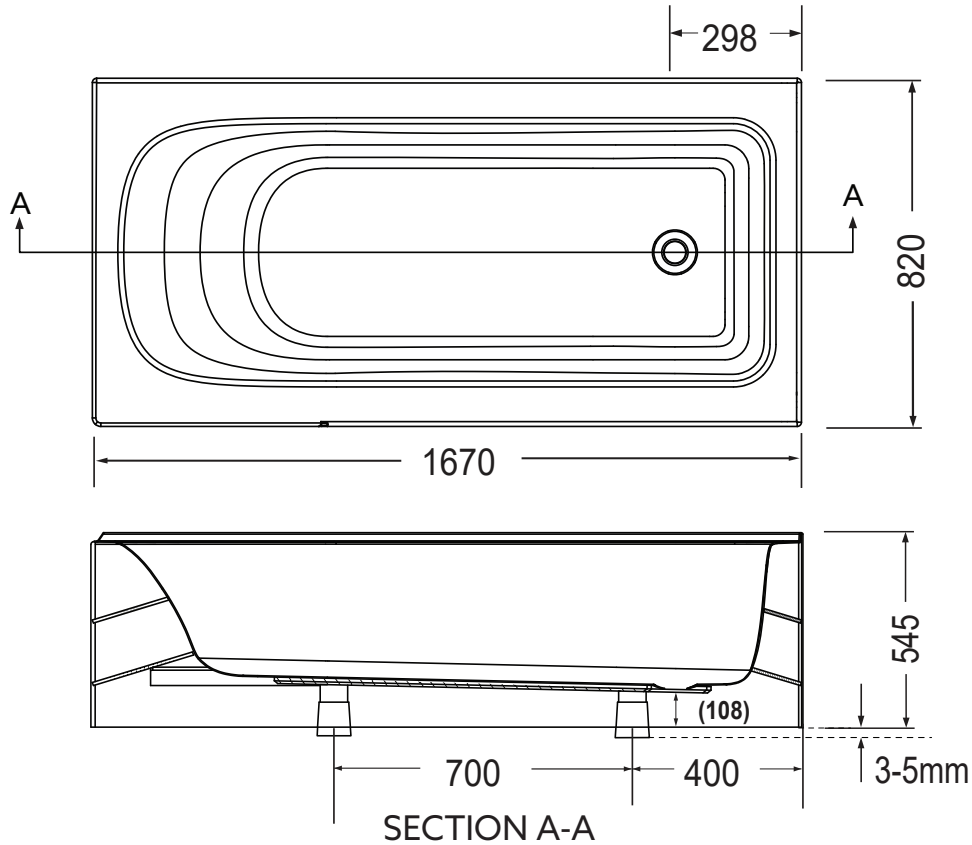
Figure 2

BATH INSTALLATION:

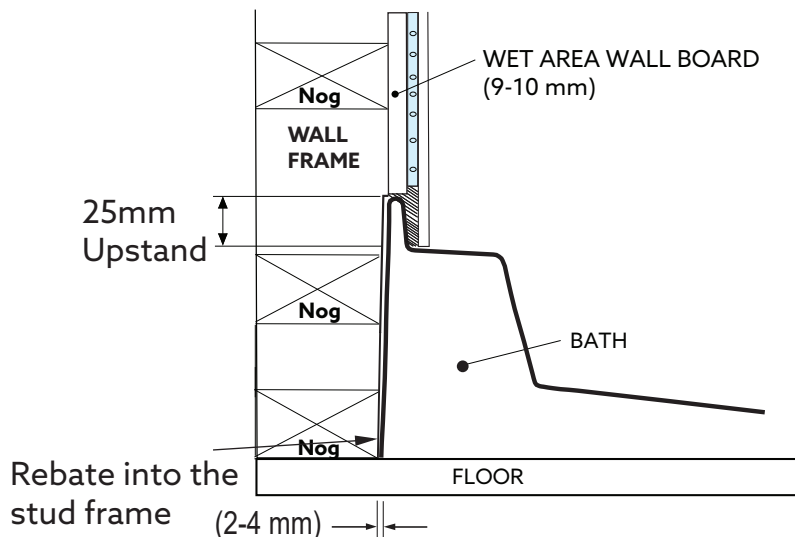
- 1) Determine location of the bath. Ensure the floor is level, clean and free of bumps and protrusions.

Recommended waste fitting products:

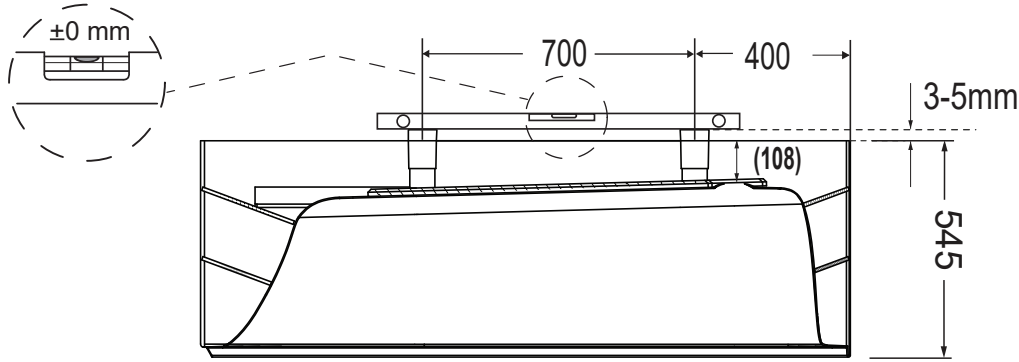
Product	Part Number	Floor Type
40mm Pop-up bath waste	99329A-CP	N/A
Self-sealing trap with flexible waste	80144A-NA	No under floor access



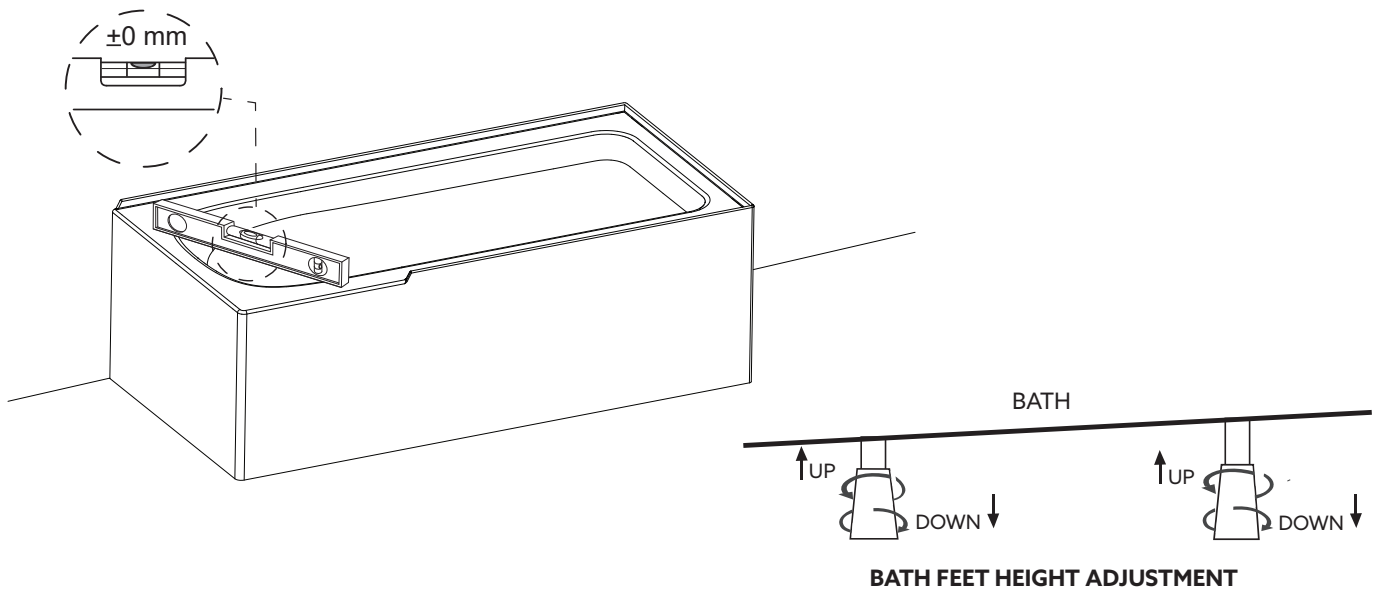
- 2) Check how the upstand is fitting in relation to the backing wall and rebate into the stud frame as required.



3) Assemble your new bath on a mat to protect it from any damage. Turn the bath upside down and check that all four legs are level and 3 to 5 mm above the bath skirt.

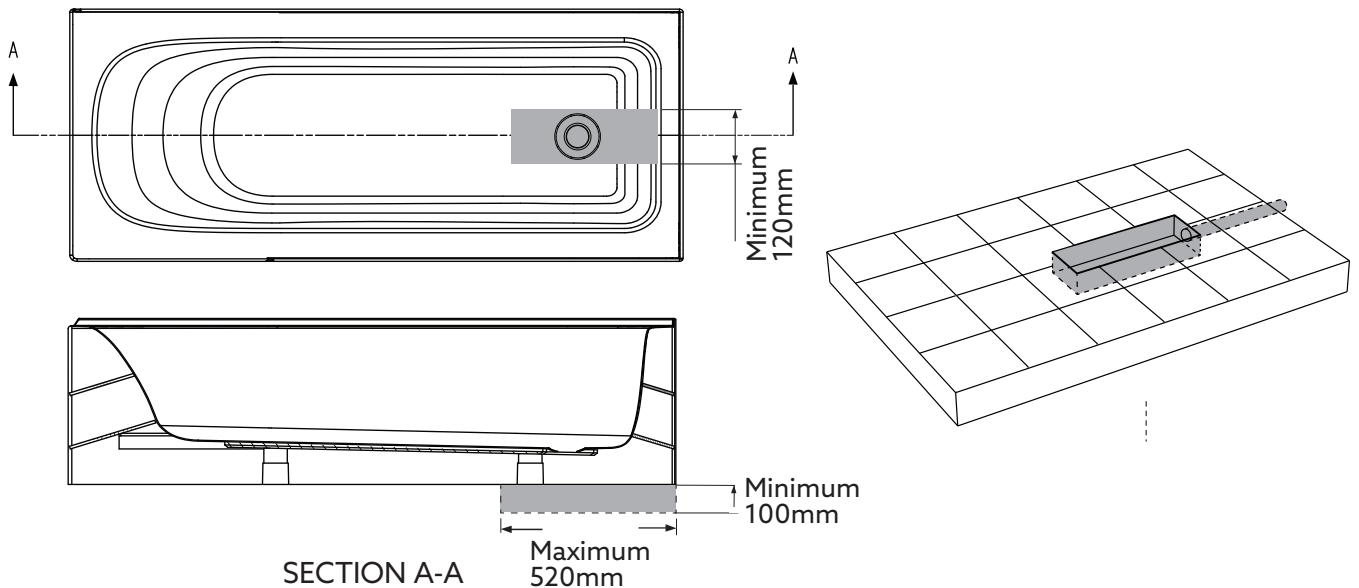


4) Return the bath to its feet to check that the bath sits level and adjust legs to compensate for any variations in floor level if required.

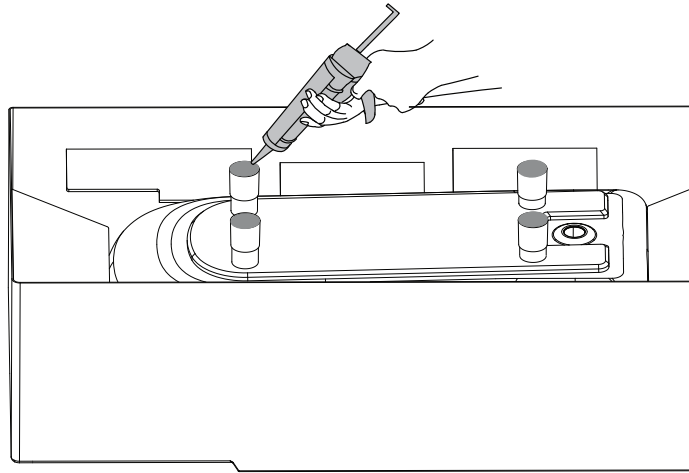


5) Mark out the position of the bath and bath drain. Determine if there is under floor access to the drain and make floor and plumbing preparation as necessary to make space for the drain.

CONCRETE SLAB FLOOR PREPARATION - IF APPLICABLE



6) Turn the bath upside-down on the protective mat and apply a suitable construction adhesive on the bottom surface of the bath feet.



7) Position the lifting blocks supplied, on the floor in the right location as shown the image below (fig 1) to place the bath onto

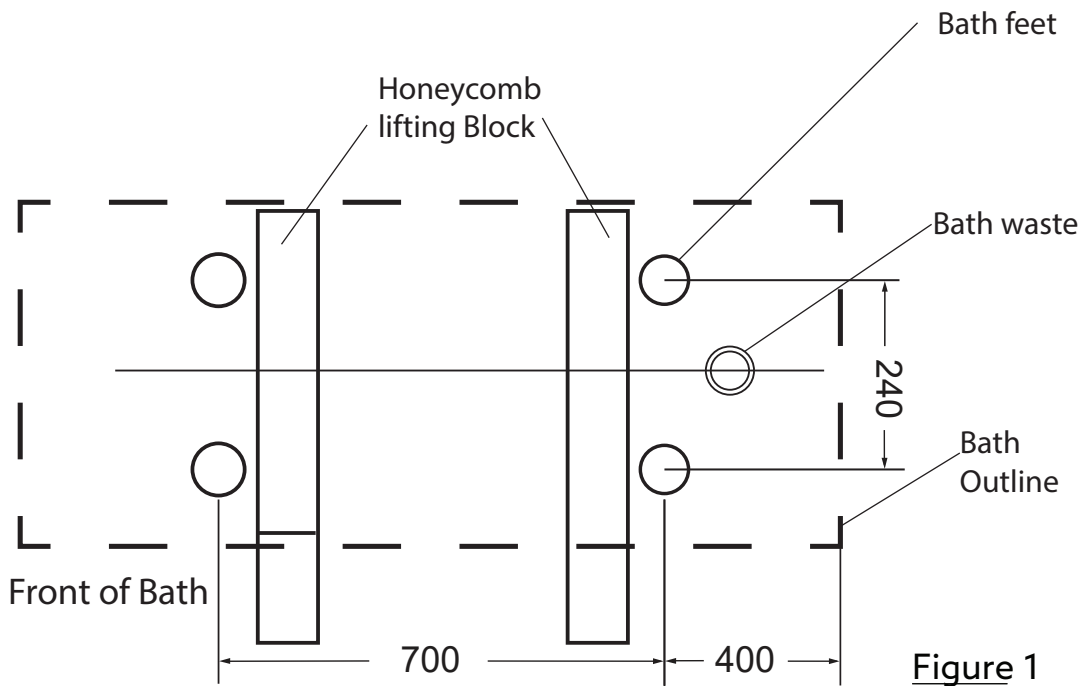
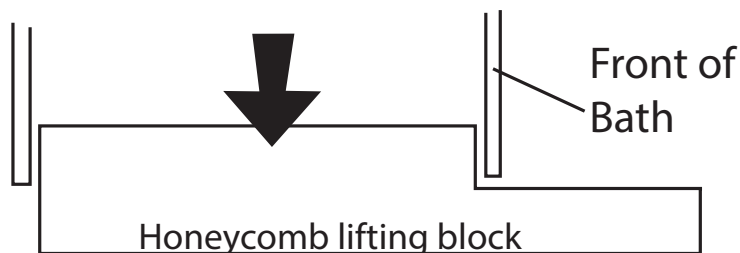
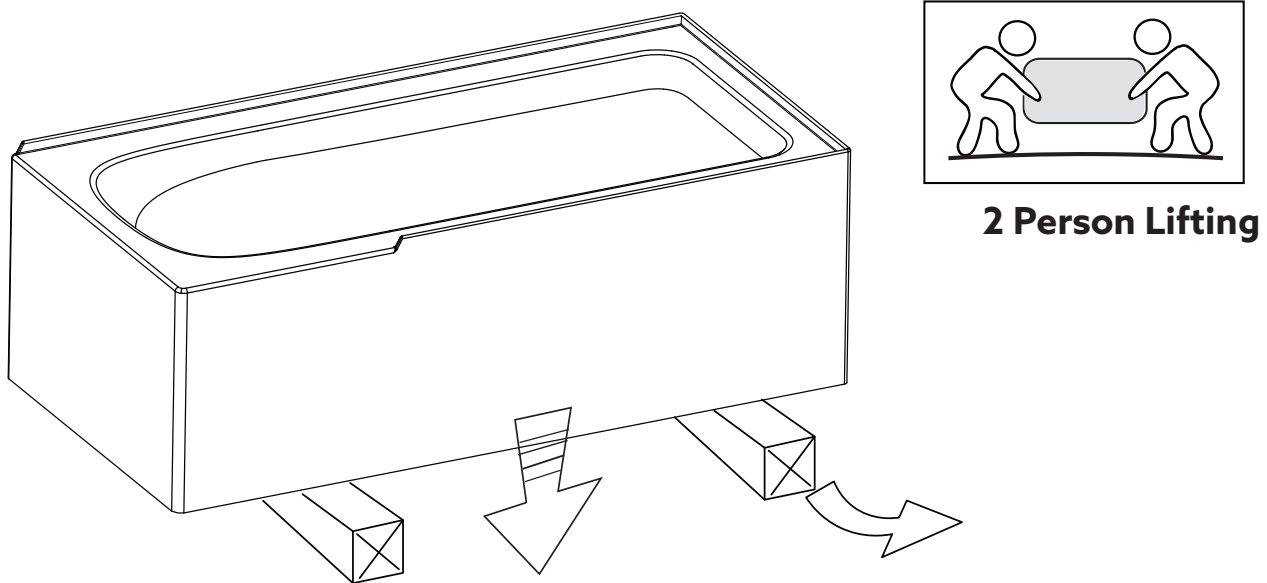


Figure 1

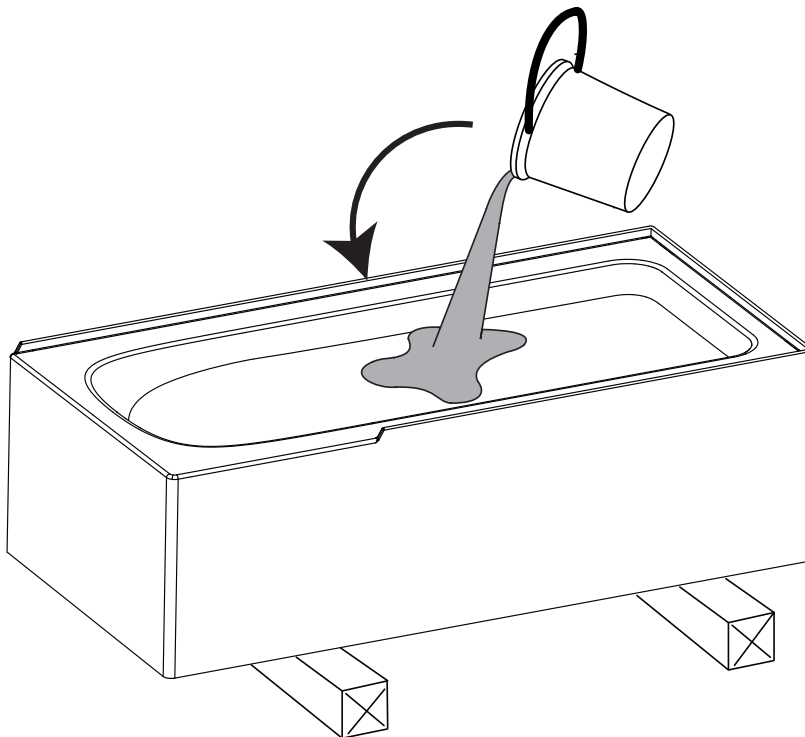


- 8) Lift the bath and place it onto the timber support blocks. Make sure it is in the correct location and the waste outlet can be connected to the plumbing. Install the waste system in accordance with the manufacturer instructions.

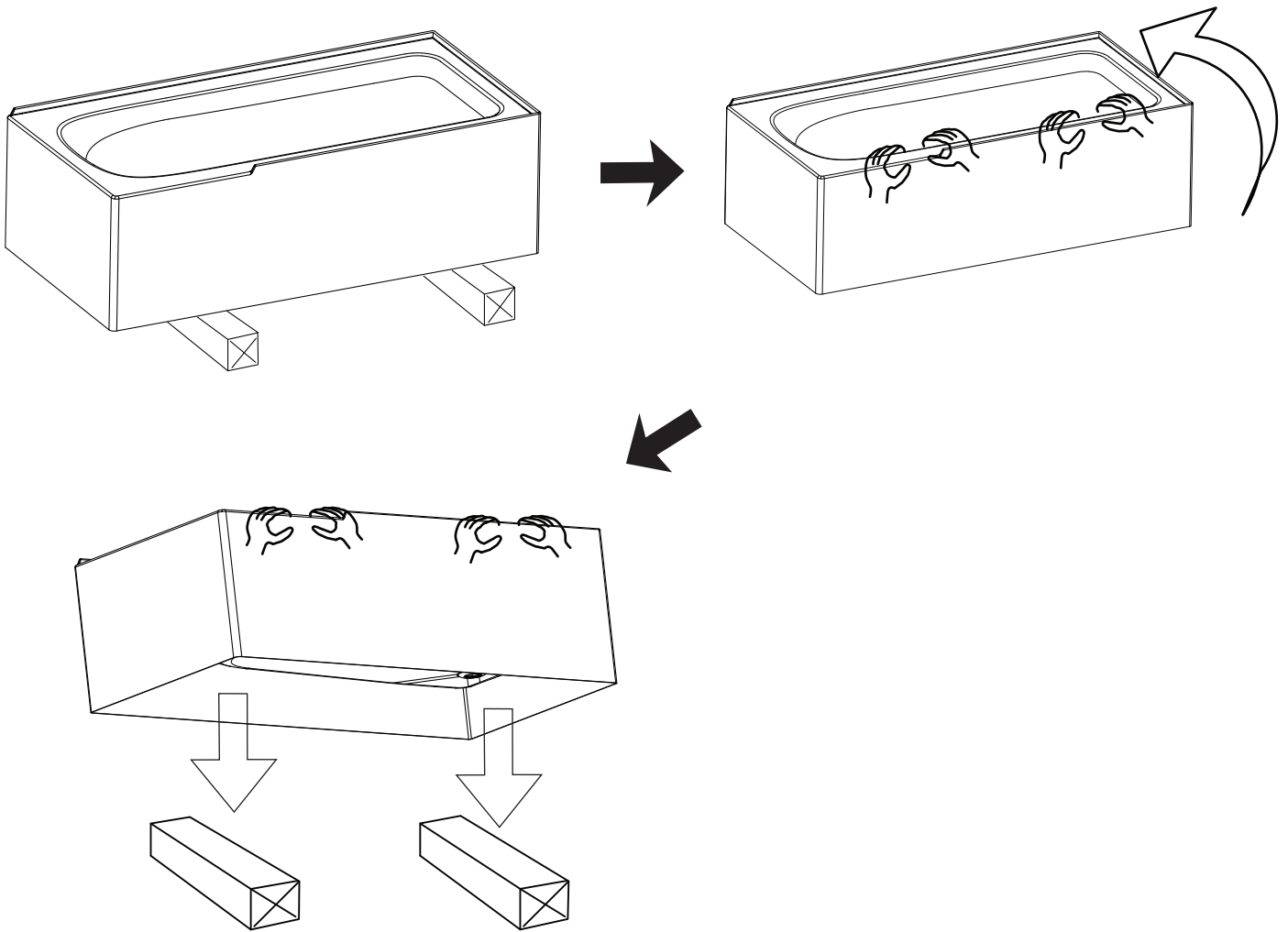


- 9) Complete waste fitting installation. Please adhere to relevant sections of AS/NZS3500.

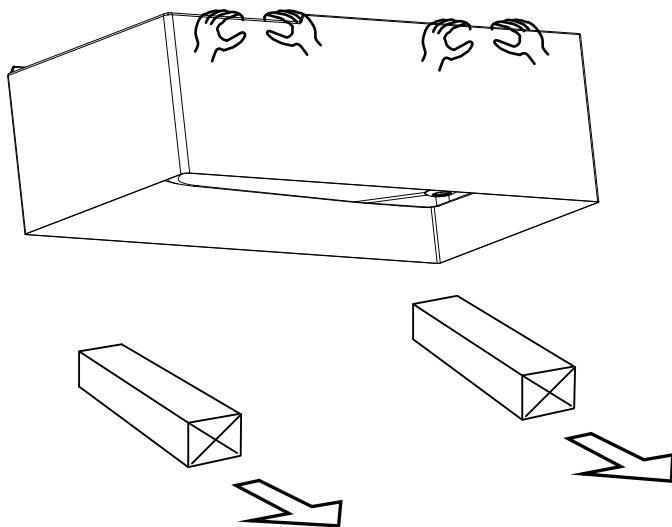
- 10) Close-off the waste and fill the bath with water and allow the water to stand for at least 30 minutes. Check for leaks and attend to waste and pipe connections as necessary.



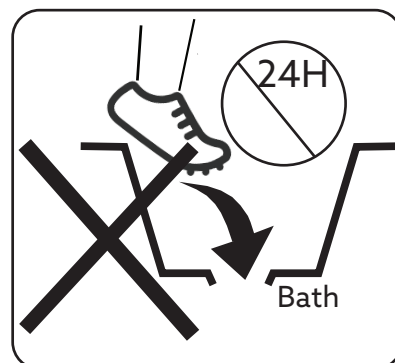
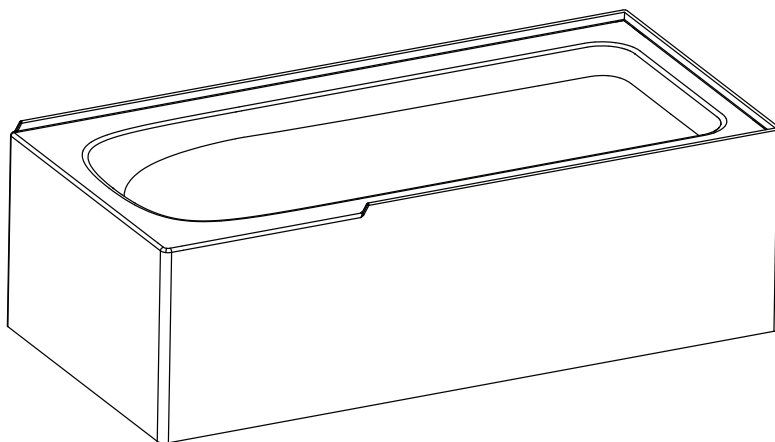
10) Carefully tilt over the bath, ⚠ attention requires two person.



11) Remove the timber support blocks from underneath the bath.

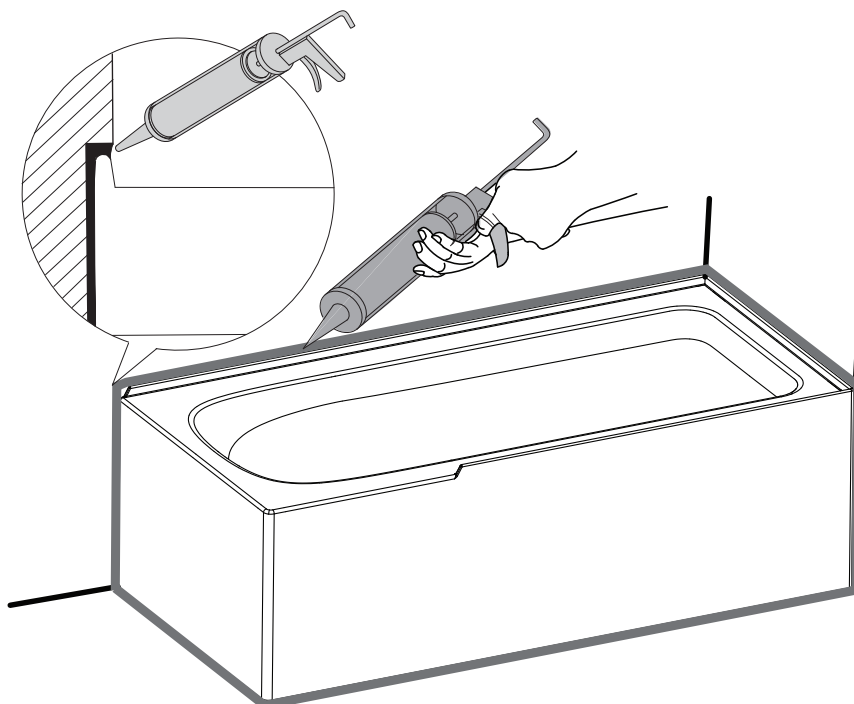


- 12) Lower the bath back into position. DO NOT stand in the bath for **24 hours** to allow the glue to cure.



- 13) Apply silicone sealant between the edges and adjacent surfaces as showing below ensuring that a watertight seal is formed.

* Ensure that the silicone sealant is applied along the back edge of the bath as shown.



Complete wall and bath screen installation

CONTACT AND WARRANTY INFORMATION

NEW ZEALAND
Kohler New Zealand Limited

0800 100 382
info@englefield.co.nz
englefield.co.nz

AUSTRALIA

englefield.com

