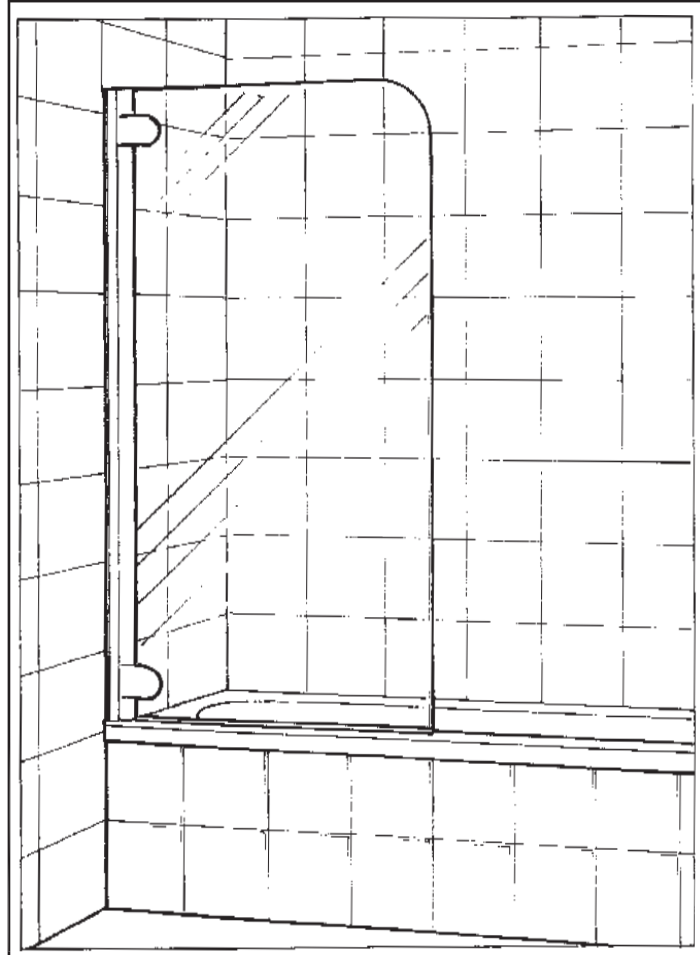




Trusted in New Zealand Since 1982

INSTALLATION GUIDE

PREMIUM
BATHTHSCREEN



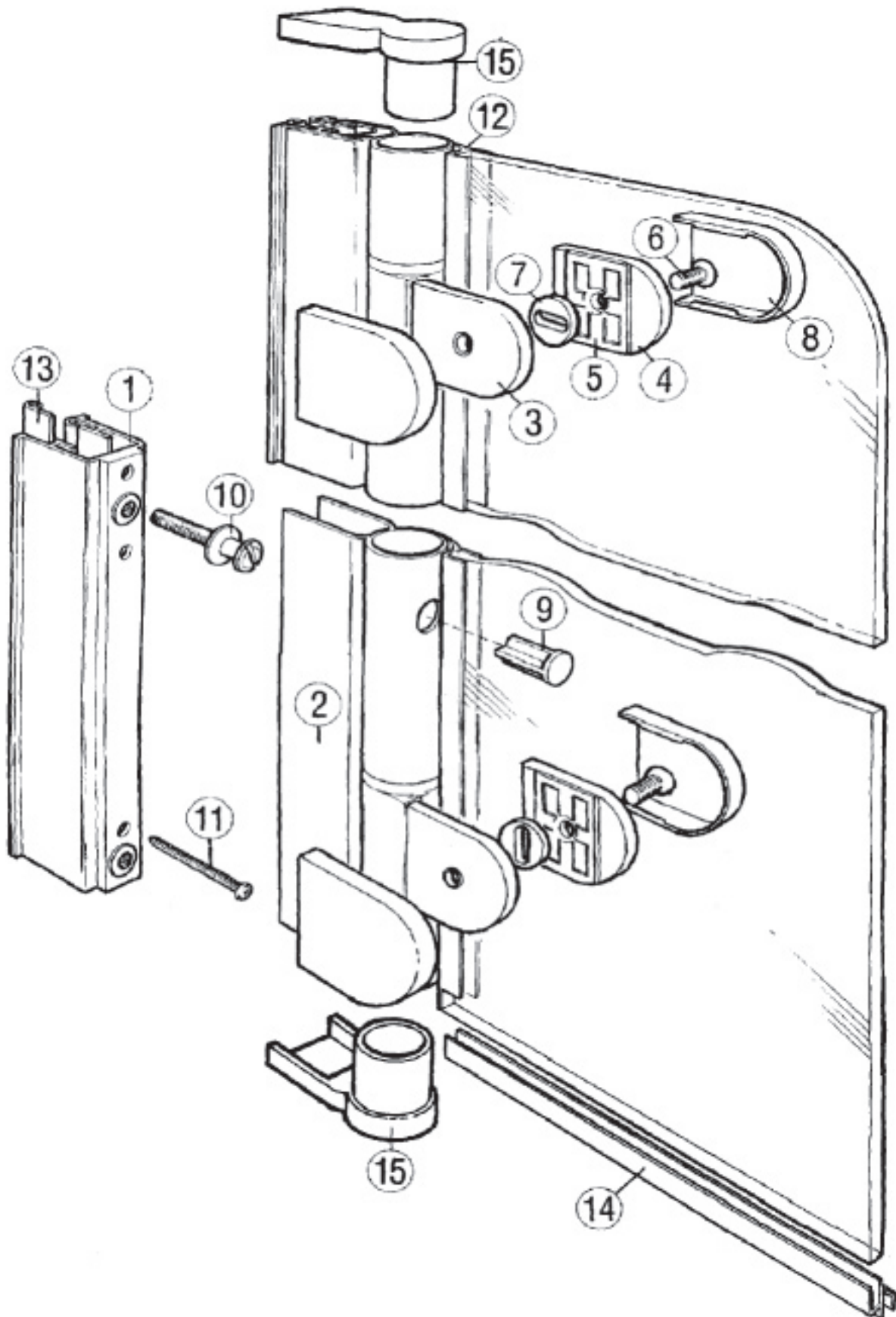
Bath screens must be installed in situations where the floor of the bathroom has a waterproof membrane installed.
For New Zealand, the bath screen must be installed in accordance with NZBC E3/AS1 clause 3.1.1.
For other countries, the bath screen must be installed in accordance with local building codes.

NOTE:

- A floor waste is recommended.
- Do not install in bathrooms where the floor is carpeted.

IMPORTANT
READ ALL INSTRUCTIONS CAREFULLY
BEFORE STARTING
THE INSTALLATION
Failure to comply
may void warranty

Parts List - Exploded View



PARTS LIST - BATH SCREEN

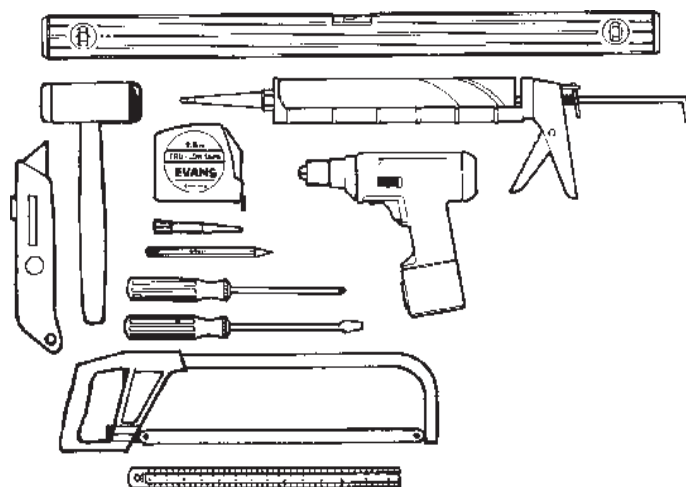
NOTE: WHEN ORDERING, THE FOLLOWING INFORMATION IS ALWAYS REQUIRED: WIDTH OF ENCLOSURE, COLOUR.

ITEM NO.	PART NO.	DESCRIPTION	ITEM NO.	PART NO.	DESCRIPTION
1	Q6080XX	Door Hinge Post Retainer	9	Q6334XX	Hinge Post Screw Plug
2	Q6090XX	Door Hinge Post	10	Q633250	Hinge Post Adjuster S/S
3	Q6150XX	Hinge Body	11	Q910100	Screw 8 x 65 Pan Head
4	Q6155XX	Hinge Inner	12	Q634045	Seal Door Edge
5	Q633200	Hinge Pad	13	Q634080	Seal Wall
6	Q912325	Screw M8 x 16	14	Q634060	Seal Drip Edge
7	Q616000	Slotted Nylon Bush	15	Q6356XX	Top/Bottom Cap Hinge Post
8	Q6338XX	Hinge Covers			

TOOLS AND MATERIALS REQUIRED

Tools required

- Level
- Tape
- Pencil
- Flat blade screwdriver
- Philips screwdriver
- Ruler
- Drill
- Centre-punch
- Hacksaw
- Soft hammer/mallet
- Caulking gun
- Stanley knife

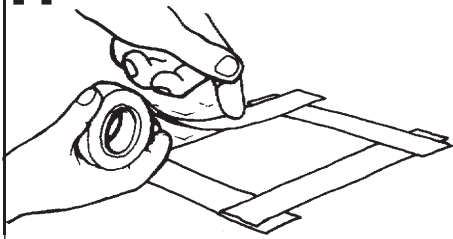


The recommended sealant is (Not Supplied):

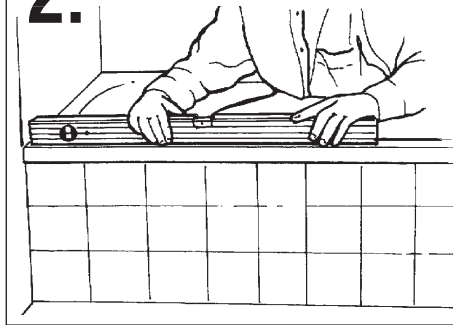
- Sika Sikasil NG

CAUTION: BEFORE DRILLING HOLES ENSURE THERE ARE NO ELECTRIC CABLES OR WATER PIPES BEHIND WALLS. DRILLING INTO THESE CAN ENDANGER LIFE AND PROPERTY.

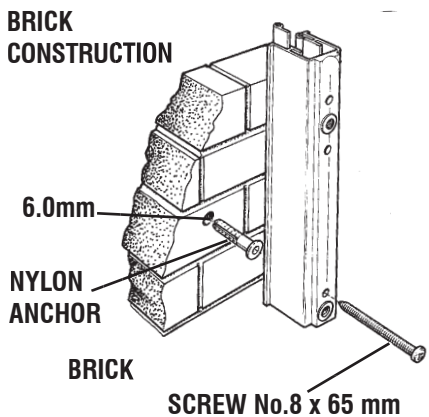
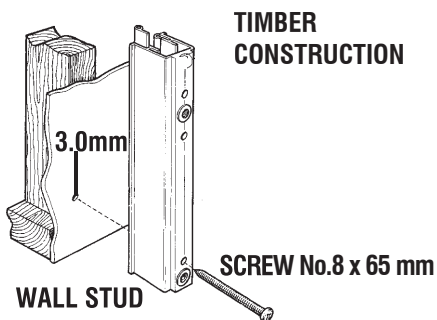
1. Tape over waste outlet.



2. Bath **MUST** be installed level.

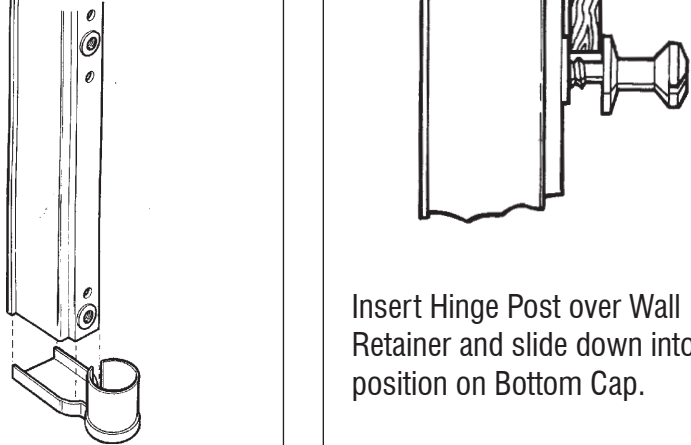


3. Ensure Hinge Post Retainer profile is plumb. Anchor Hinge Post Retainer into wall stud for maximum support.

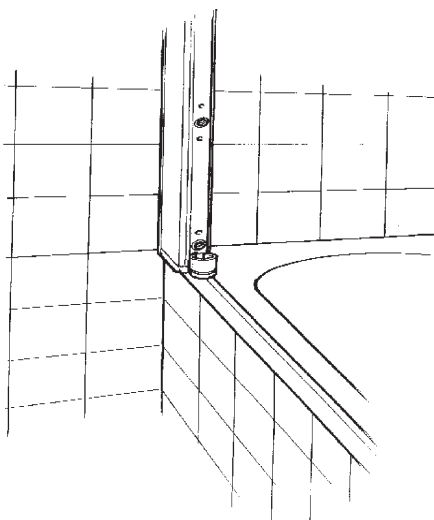


CAUTION: Fixing the retainer only to the backboard may void warranty as a backboard by itself is not able to provide enough support for the bath screen.

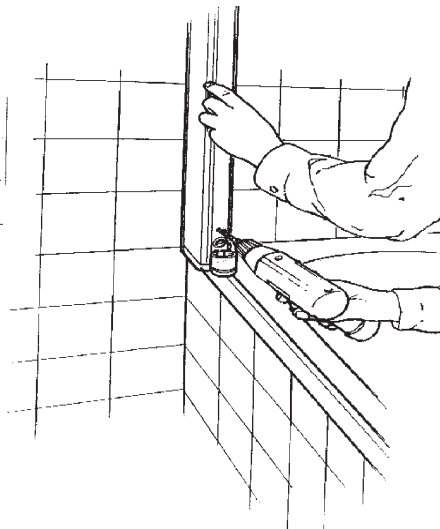
Fit Bottom Cap to Hinge Post Retainer.



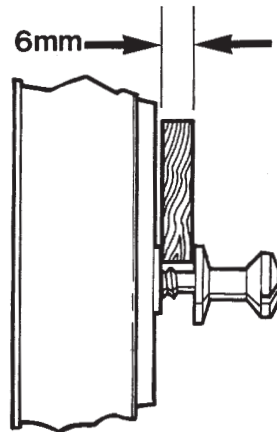
Position Hinge Post retainer central on top of bath Tiling Bead.



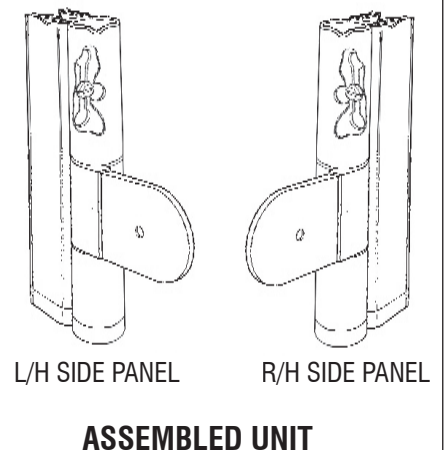
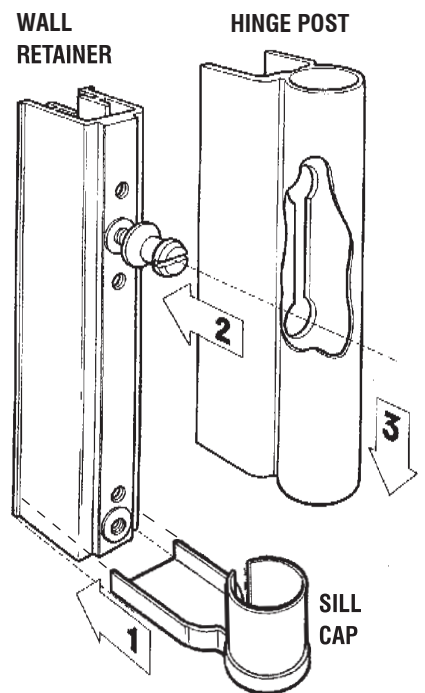
Using a 3mm drill bit, mark position of holes on wall through extrusion. Fix with Screw No.8 x 65mm.



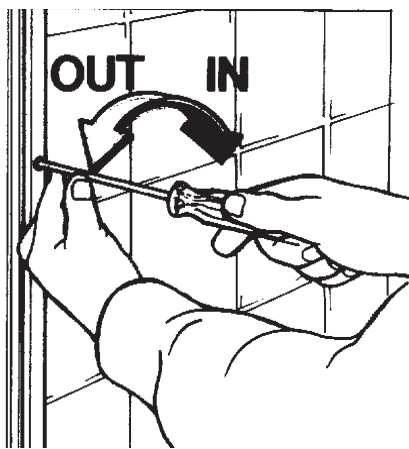
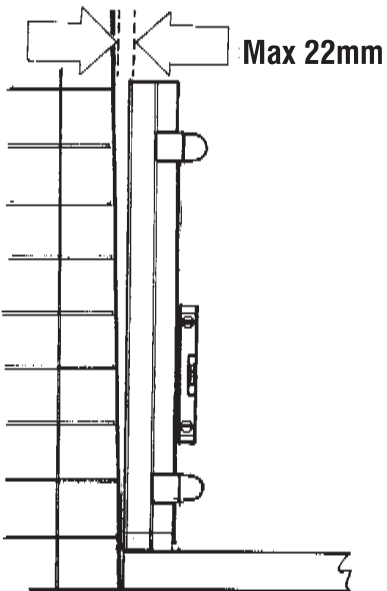
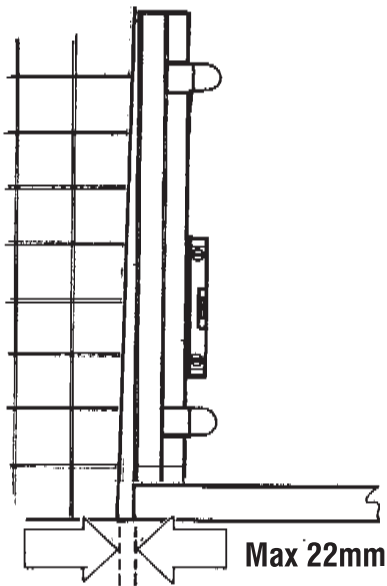
4. Set adjusting screws using 6mm spacer provided.



Insert Hinge Post over Wall Retainer and slide down into position on Bottom Cap.

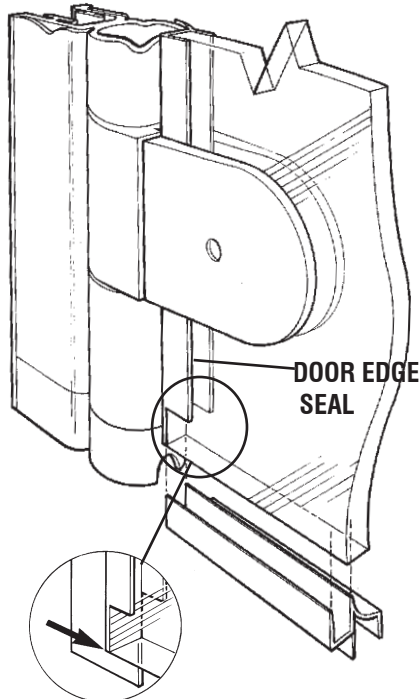


5. For "out-of-true" walls, level Hinge Post using adjusting screws.



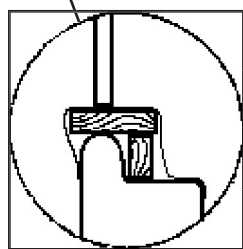
IMPORTANT: ADJUSTMENT SCREWS MUST BE ADJUSTED IN SEQUENCE TO AVOID DISTORTION OF HINGE POST.

6. Position Door Edge Seal.



IMPORTANT: ENSURE BOTTOM OF DOOR EDGE SEAL IS CORRECTLY FITTED AS SHOWN.

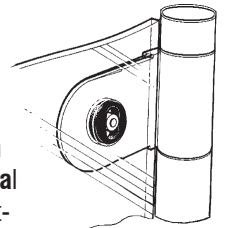
7. Position glass by taping the spacer supplied to the bath as shown below. Level top of glass with top cap.
CAUTION: Care must be taken to avoid cross-threading the cap screws in the Hinge Plate.



8. On the inside of the Hinge Post, fit slotted plastic bush through the hole in the glass.

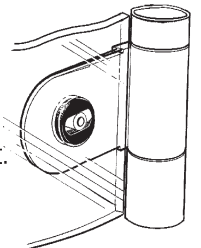
IMPORTANT

Ensure that the slot in the top bush is **vertical** and the slot in the bottom bush is **horizontal**.



TOP HINGE

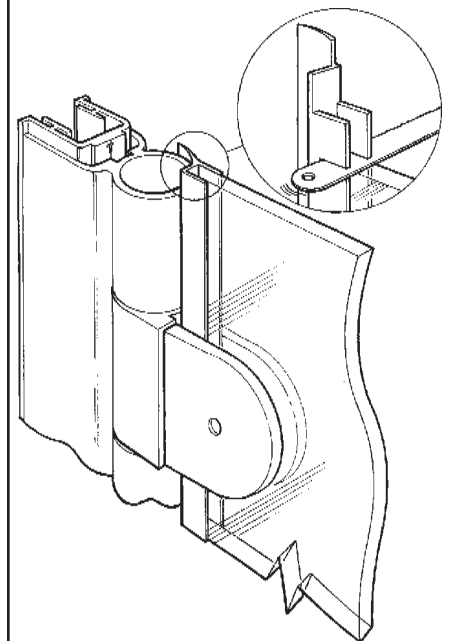
Using M8 CSK screw attach Inner Hinge Plate.
NOTE: Fix top hinge first.



BOTTOM HINGE

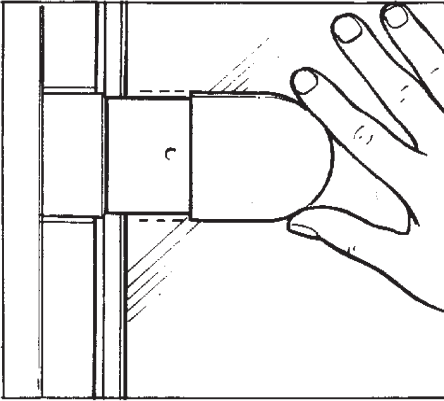
Tighten screws firmly to secure glass.

9. Trim the top of the Door Edge Seal flush with the glass.



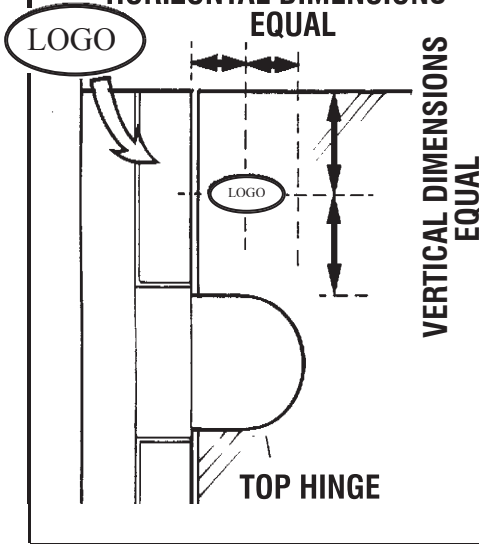
10. Fit Top Cap in place using silicone and tape down.

11. Slide on the. four Hinge Covers.

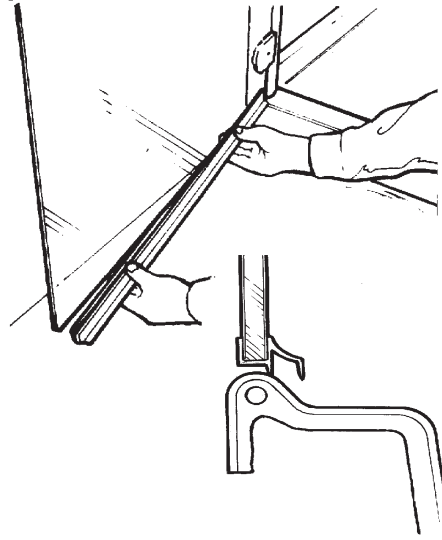


Position the logo as shown after door installation. One logo on the front of the door and one on the reverse.

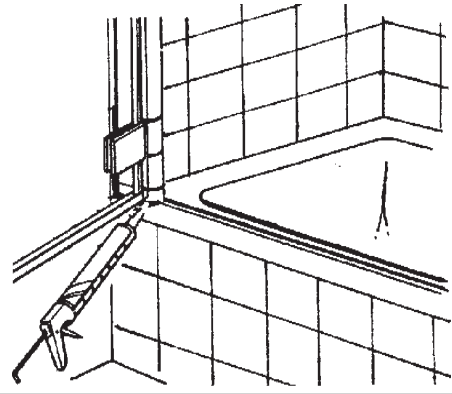
HORIZONTAL DIMENSIONS EQUAL



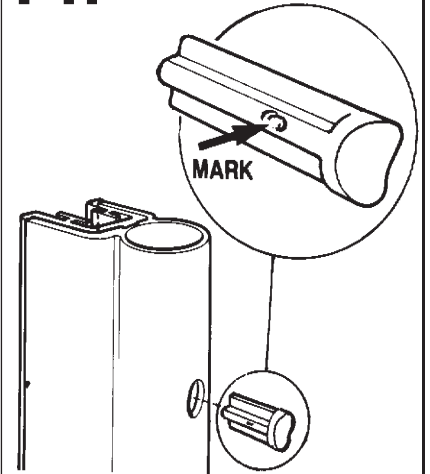
12. Attach Door Drip Edge Seal.



13. Using recommended Sealant, seal full height between walls and Wall Retainer Profiles, and all other exterior joins.



14. Fit Screw Plugs



IMPORTANT: NOTE ORIENTATION OF SCREW PLUG HEAD. MARK SHOULD BE LOCATED TO SIDE AS SHOWN.

IMPORTANT
SEALANT SHOULD BE APPLIED TO ALL OUTSIDE JOINTS - DO NOT SEAL FROM INSIDE.

Follow the sealant manufacturer's directions.

INSTALLATION COMPLETE