

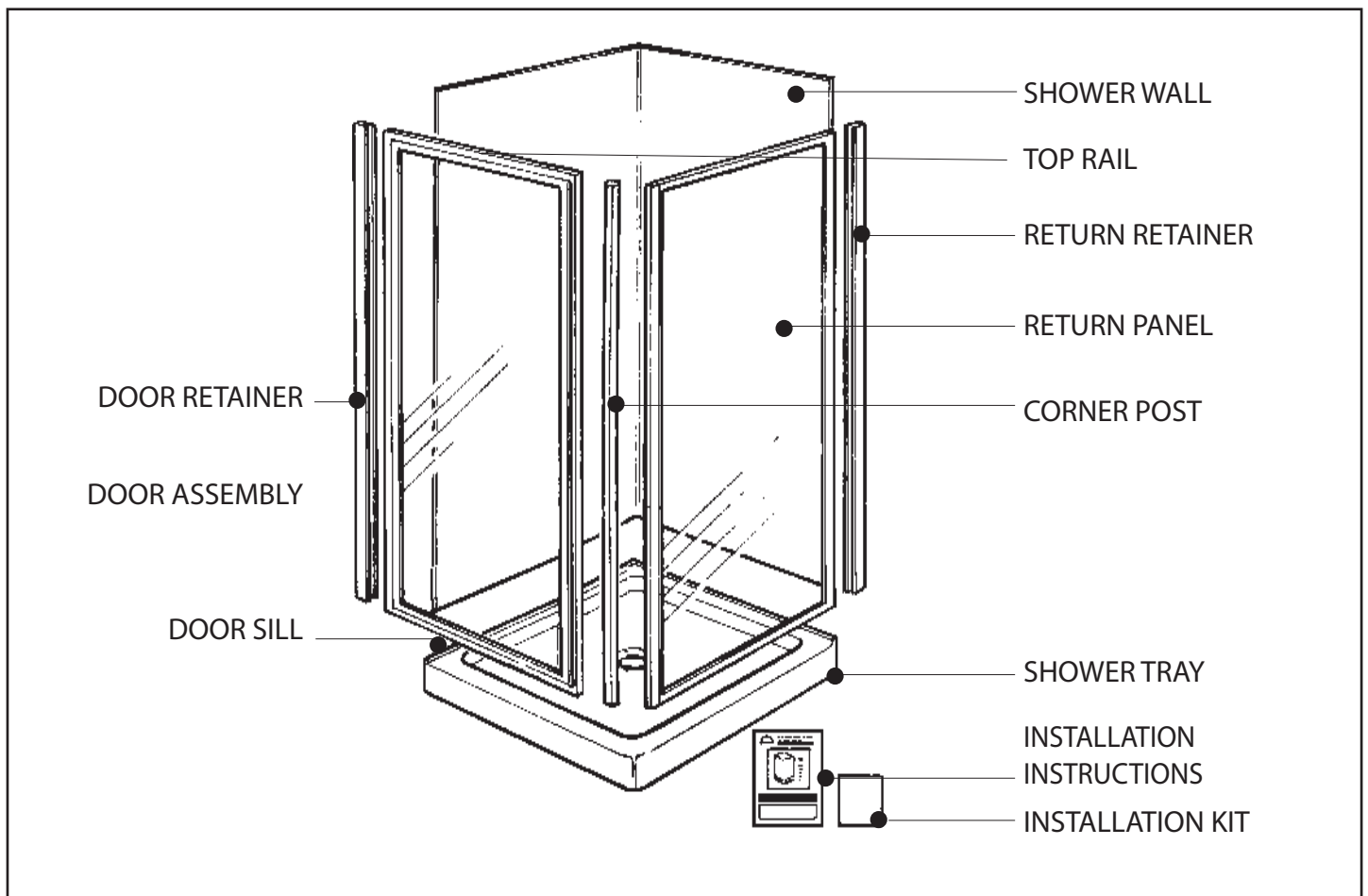


Trusted in New Zealand Since 1982

# INSTALLATION GUIDE

## SAPPHIRE SQUARE CORNER SHOWER

### **IMPORTANT** READ ALL INSTRUCTIONS CAREFULLY BEFORE STARTING THE INSTALLATION



- Suitable for installation with Duracryl Wall lining.

### **Sealant required to complete this installation: (Supplied)**

#### **Sika Sikasil NG (Arctic White)**

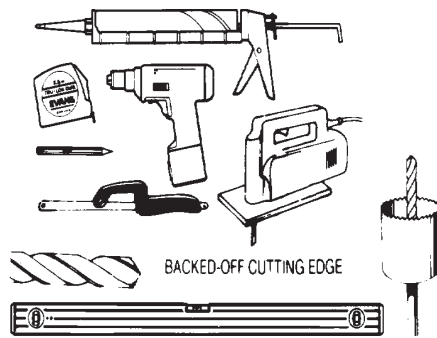
- To seal the WHITE shower door and returns to the shower tray.

Usage:

- 1 cartridge per shower

## TOOLS REQUIRED

- Tape Measure
- Soft pencil
- Drill
- Caulking gun
- Hole saw
- Drill bit 2.5 mm
- Fine toothed saw
- Spirit level
- Jig saw (fine toothed blade)
- Box cutter



## DRILLING AND CUTTING DURACRYL®

**DRILLING:** Small holes can be drilled with a twist drill, but the cutting edge **MUST** be backed off with an oil stone (the sharp edge dulled). Large holes must be drilled with a hole saw.

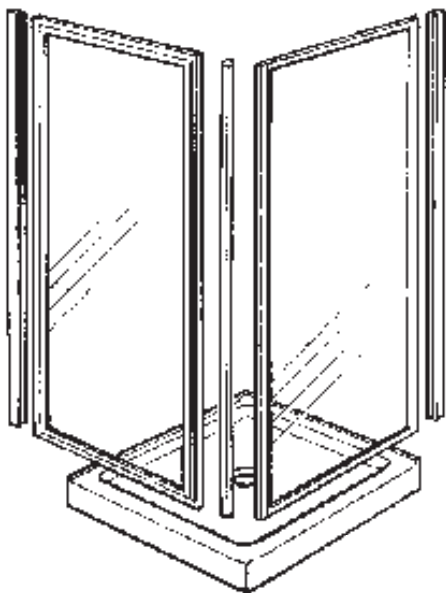
Maximum drill size: 12 mm. Drill speeds:- 6 mm x 1800 RPM  
- 12 mm x 900 RPM

**CUTTING:** If for any reason the acrylic requires cutting, use a fine tooth hacksaw and proceed with caution. Edges can be smoothed with a second-cut file and medium-fine sandpaper. If the surface of the acrylic should happen to be damaged, it can be restored by polishing with an abrasive cleaner such as Meguiars Mirror glaze 28 all metal polish or 3M marine "one step" painted aluminium cleaner and wax.

# DOOR AND RETURN INSTALLATION

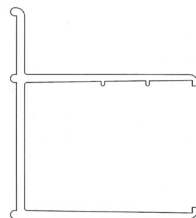
## PART ONE

Ensure that the shower tray and wall are installed according to the instructions supplied.

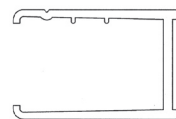


- 1.** Select which side of the tray the door will be on. The door is fully reversible and can be installed on either side of the tray with the hinge nearest the wall or nearest the corner post.

- 2.** Position the wall Retainer Profiles against shower wall, resting on the shower base sill with fixing holes facing towards the inside of shower.

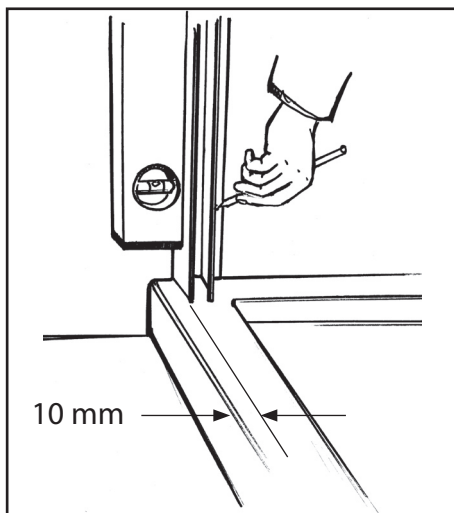


DOOR SIDE

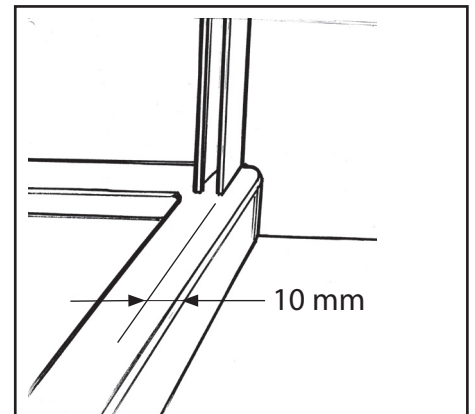


RETURN SIDE

These Profiles should be located 10mm from the front of the shower base. Check vertical with spirit level and mark fixing holes. **ENSURE WALL RETAINER PROFILES ARE PLUMB.**

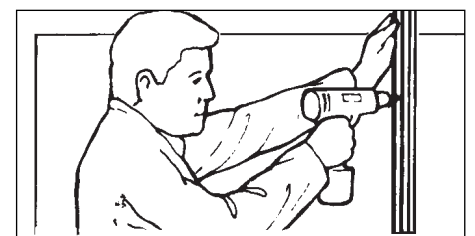


**CAUTION: BEFORE DRILLING HOLES, ENSURE THERE ARE NO ELECTRICAL CABLES OR WATER PIPES BEHIND WALLS.**

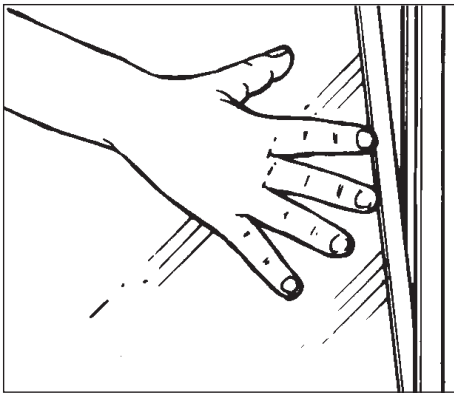


- 3.** Fix both wall retainers in place using the 6 long Screws. Make sure the screws go into studs.

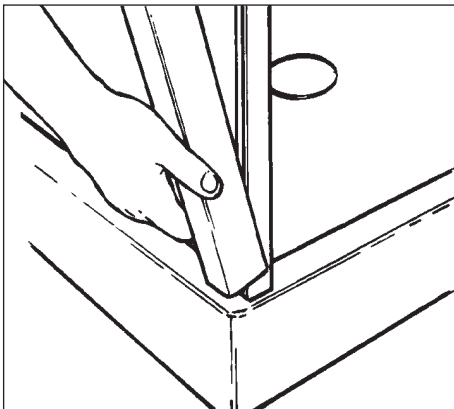
**CAUTION:** We recommend fixing the wall retainers by screwing through the backing board and into studs. Other methods may cause warping and may void warranty.



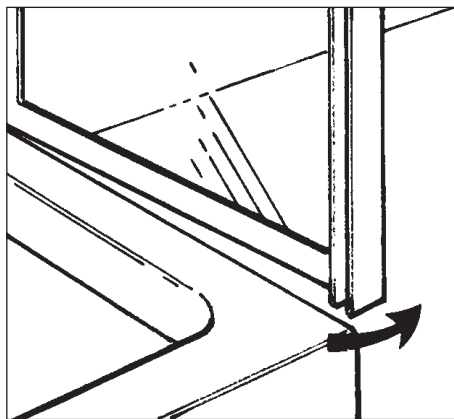
- 4.** Place Return Panel Assembly into Wall Retainer Profile and push firmly into position.



**5.** Fit 90° Corner Profile to Return Panel Assembly and push into position.

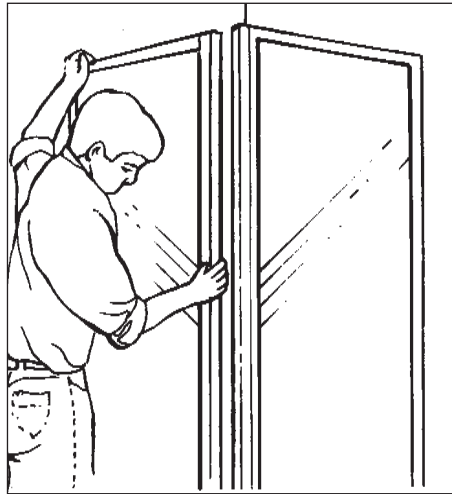


**6.** Move 90° Corner Post and Return Panel Assembly out to allow Door Assembly to be fitted.



**7.** Fit Door Assembly into Wall Retainer Profile, then re-position Corner Profile and Return Panel to Door Assembly.

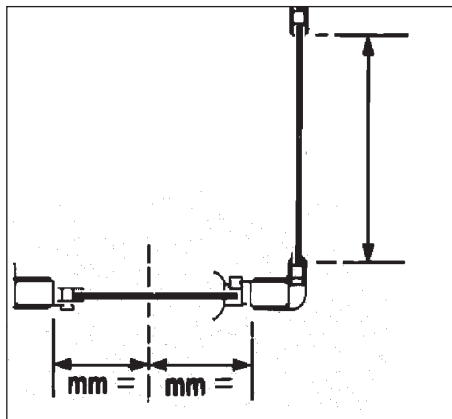
Note: Glazing Gasket should be on the outside of the shower.



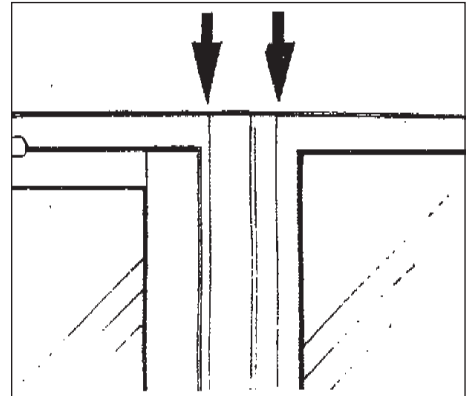
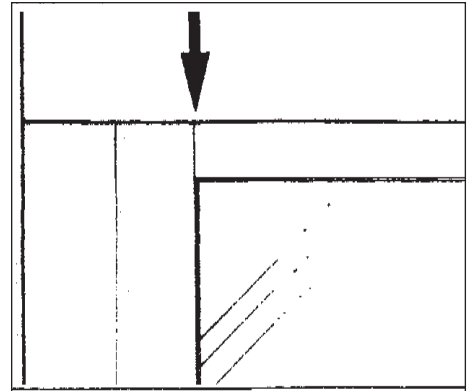
**8.** Centralise Door Assembly between Wall Retainer and Corner Post.

Position Return Panel between Wall Retainer and Corner Post so that the black lines at each corner are not visible. **DO NOT push the PVC gasket into position at this stage.**

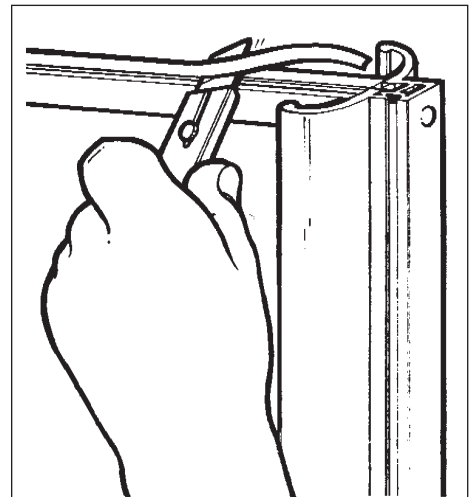
Ensure that the Door and Return panels are fitted correctly to the tray.



**9.** Check that the Door and Return Panel Assemblies are level with top of Wall Retainer and 90° Corner Profiles.

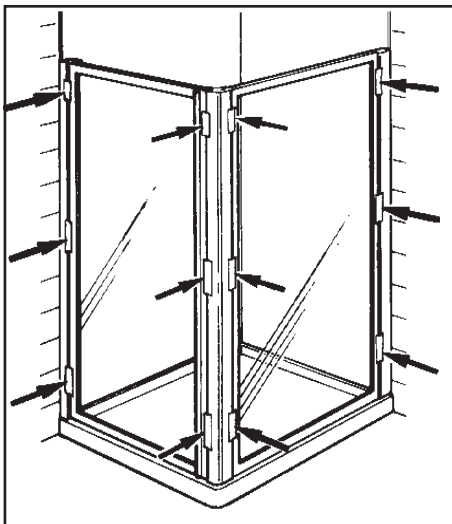
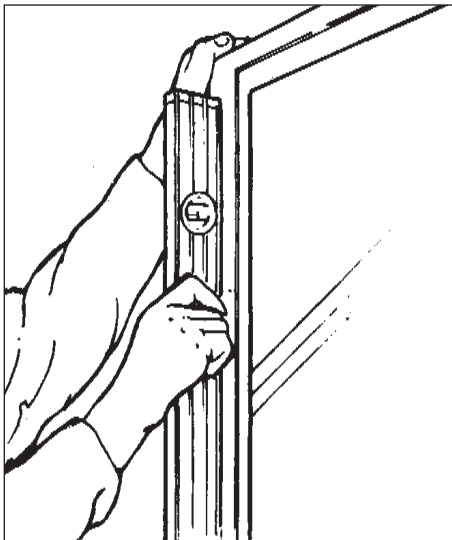


**10.** Using a sharp knife, trim top seal off door as shown.



**11.** Using spirit level, plumb Door and Return assembly and Corner Post. Tape into position as shown. Check Door opens and shuts properly and the black lines on the Return assembly top and bottom rails remain hidden. Readjust if necessary.

**NOTE: This is an important part of the installation procedure and your careful attention at this stage will ensure that you will obtain the best possible results.**

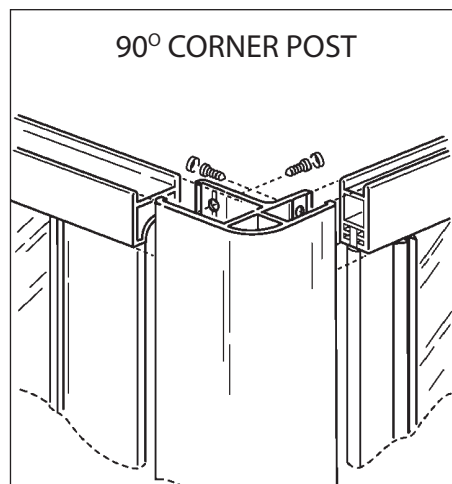
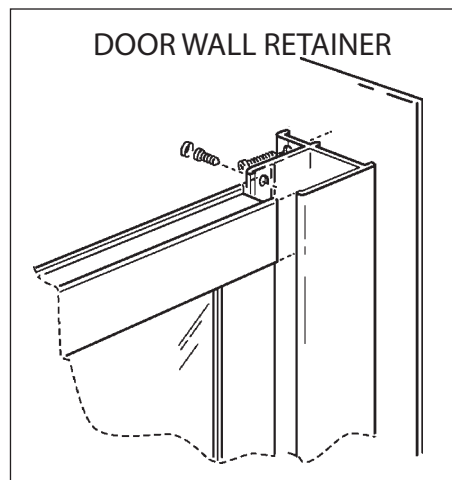
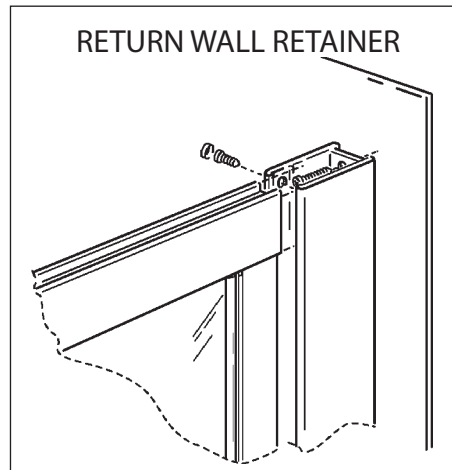


**IMPORTANT**  
TEST THE OPENING AND CLOSING OPERATION OF THE PIVOT DOOR

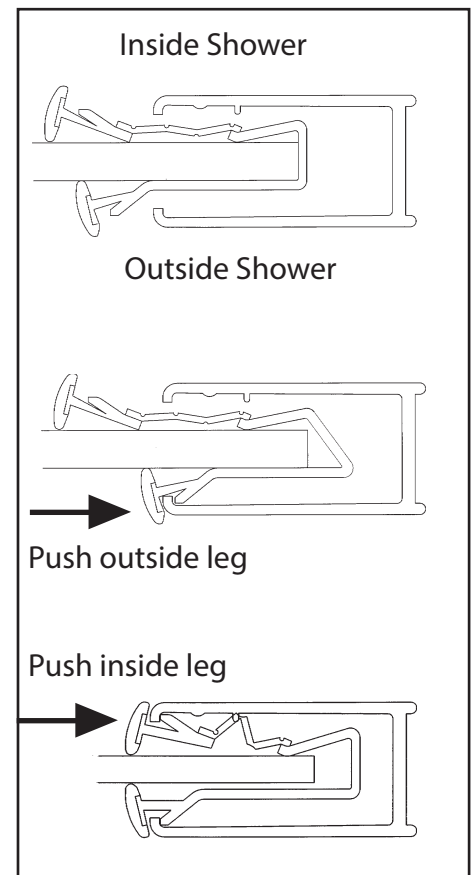
If door alignment is incorrect, door will not function properly and further adjustments are necessary. Remove tape and re-align until correct alignment is achieved.

**DO NOT PROCEED TO STEP 12 UNTIL DOOR IS OPERATING CORRECTLY.**

**12.** Drill 2.5mm holes ( NOTE: DO NOT USE BIGGER DRILL BIT) through punched holes at top and bottom of each Wall Retainer and Corner Post to secure door and return. Make sure Door and Return assemblies do not move during this operation. Fit screw, screw caps and remove tape.



**13.** Position Return Panel PVC gasket by pushing outside leg into both Wall Retainer and Corner Post. It should 'snap' into place. Now push the inside leg into place.



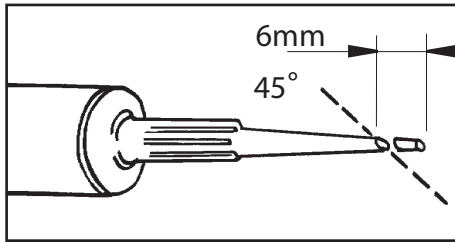
# PART TWO

## SEALANT APPLICATION

**Ensure all joints are clean and dry before applying sealant.**

### 1a. SEALANT APPLICATION STEPS

Cut tip of silicone tube nozzle at 45° angle.



**b.** Hold the tube at 45° angle and push forward as sealant fills the joint.

**c.** The surface of the sealant can be smoothed (before surface dries) by using a finger dipped in a small quantity of water with one drop of washing liquid added.

**d.** Excess sealant should be removed immediately with a damp cloth.

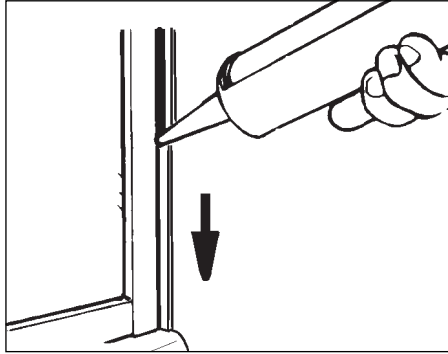
**CAUTION: Avoid contact with skin, eyes and mouth and avoid breathing vapour. If in eyes, immediately flush with water. If irritation persists, seek medical attention.**

**Keep out of reach of children.**

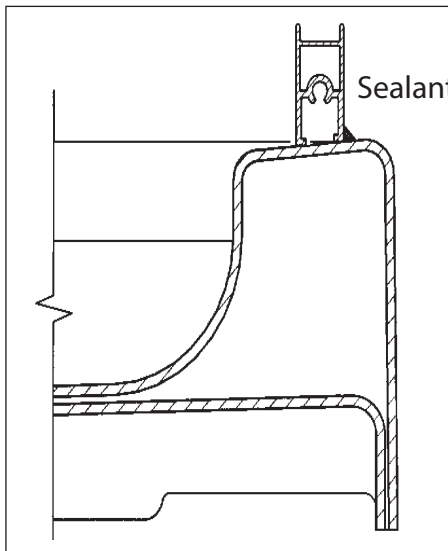
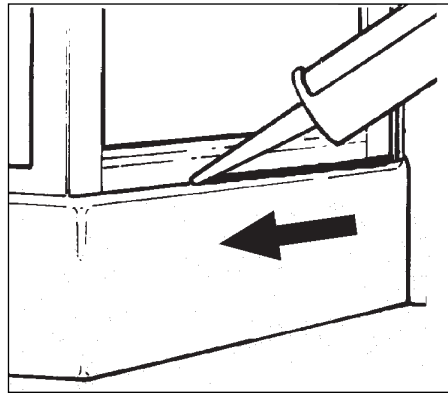
### IMPORTANT

**SIKA SIKASIL SEALANT SHOULD BE APPLIED TO ALL OUTSIDE JOINTS. DO NOT SEAL FROM INSIDE.**

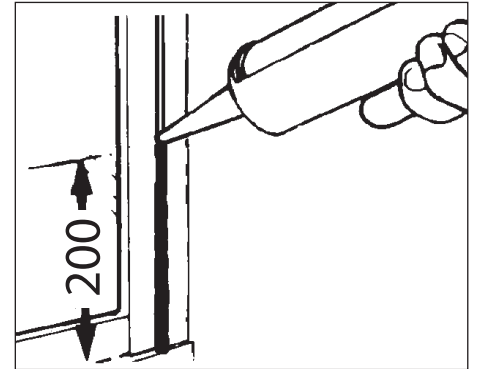
**2a.** Seal full height the joint between the Walls and the Wall Retainers.



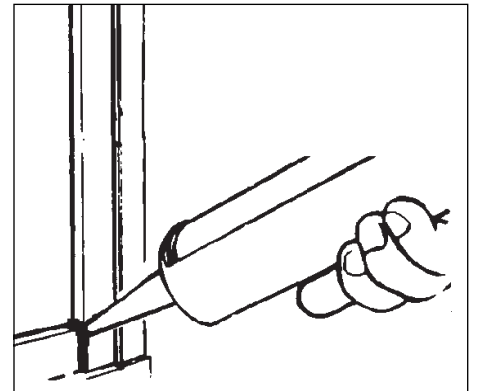
**b.** Seal joint between the Door Sill, the Return Panel and the Shower tray.



**c.** To a height of 200mm, seal joints between Door Frame & Corner Post and Door Frame & Wall Retainer.



**d.** Seal up to the PVC gasket joints between Return Panel & Corner Post and Return Panel & Wall Retainer.



### IMPORTANT

**ALLOW 24 HOURS FOR SEALANT AND ADHESIVE TO CURE BEFORE USING THE SHOWER.**

# CLEANING AND MAINTENANCE

Please refer to the Home Owner's Guide for cleaning instructions.

## CONTACT AND WARRANTY INFORMATION

### **NEW ZEALAND** KOHLER NZ LTD

Free Ph: 0800 100 382  
Free Fax: 0800 664 488  
[www.Englefield.co.nz](http://www.Englefield.co.nz)

### **AUSTRALIA** KOHLER CO.

Free Ph: 1 800 ENGLEFIELD  
(1 800 364 533)  
[www.Englefield.com](http://www.Englefield.com)

**For warranty information, please visit our website.**



Trusted in New Zealand Since 1982