

INSTALLATION INSTRUCTIONS



Trusted in New Zealand Since 1982

SHOWER

MILANO Round



Englefield has a history of making superb showers and their popularity is testament to their quality and affordability.

It's the details that Englefield cares about - from pioneering the latest technology, to innovative design, it's all to make your showering experience the very best it can be.



Note: Tapware not included.

BEFORE YOU BEGIN

Before installing the shower please read these instructions carefully to familiarise yourself with the required tools, materials and installation sequences. Please leave these instructions for the consumer after installation. Refer to the separate care and maintenance guide for important care and cleaning information.

Ensure that the shower tray and wall, if applicable, are completely finished prior to installing your shower door and return. Follow all warnings, cautions and instructions contained in this guide.



SAFETY

1. ENGLEFIELD strongly recommends that a minimum of TWO persons install this enclosure due to the weight of the door panels.
2. Toughened safety glass cannot be cut. Risk of injury or product damage.
3. Wear protective footwear when lifting panels.
4. Wear safety glasses when drilling.



ATTENTION

1. The wall retainers must be installed onto waterproof, vertical and flat wall surface. Failure to do so will result in an unsatisfactory seal, which may cause property damage. The wall inclination (out of squareness) is recommended to be out by no more than **+/- 4mm/m**.
2. Please install this door onto an ENGLEFIELD Quick - Fit® Low Profile shower tray only, unless installing directly onto tiled walls and floor.
3. Care must be taken when drilling into walls and floors to avoid any hidden pipes or wires.
4. It is the responsibility of the INSTALLER to ensure that the installation complies with council and or local authority bylaws.

Instructions, drawings, and diagrams contained in this manual present information available at the time of printing. Although every attempt has been made to keep them up-to-date, Englefield reserves the right to implement product changes without further notice.

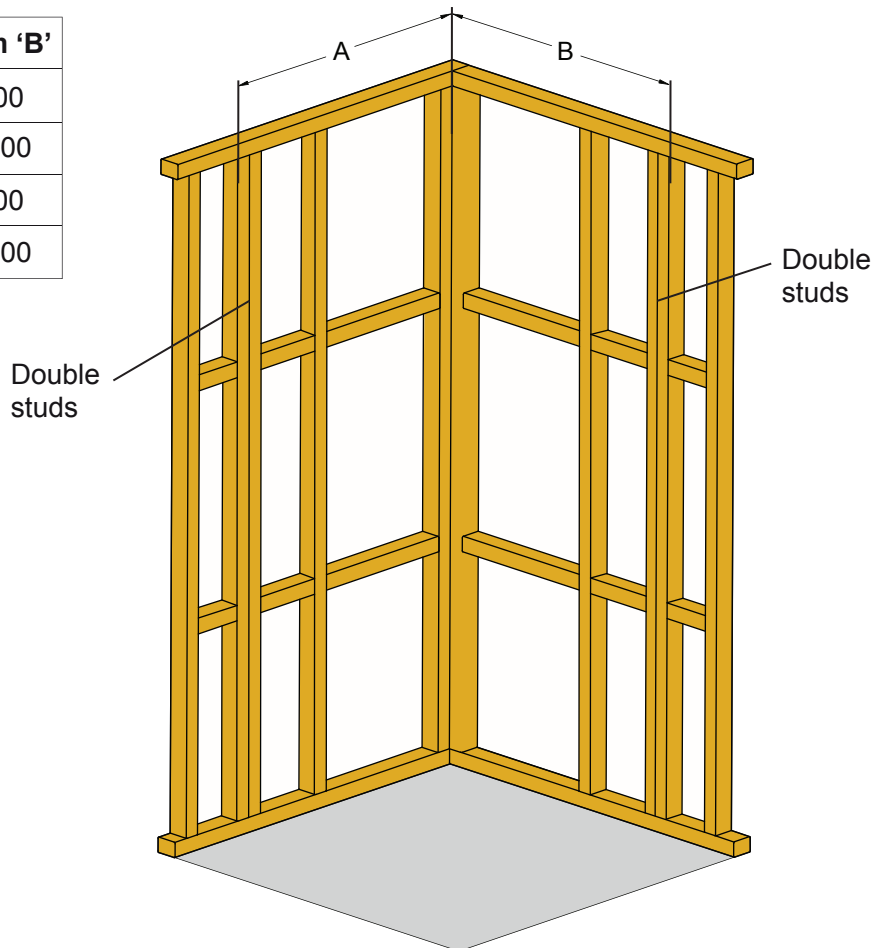
CONSTRUCTION REQUIREMENTS



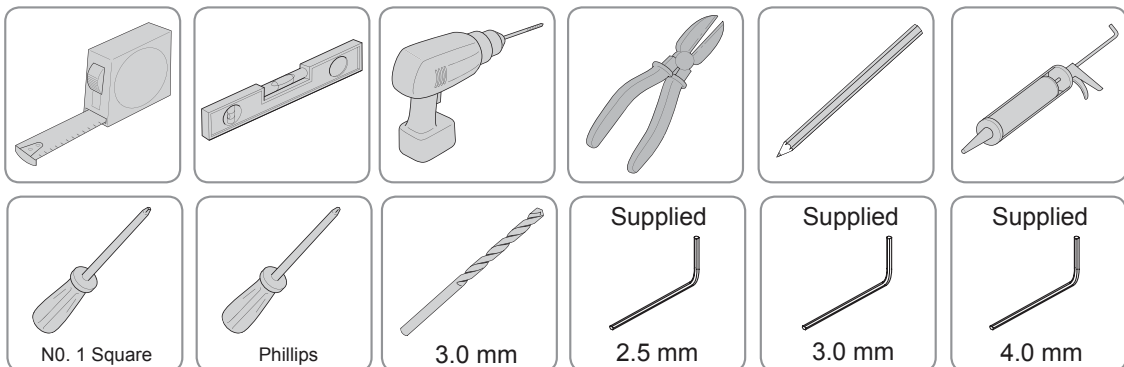
ATTENTION

Due to the weight of the glass panels Englefield strongly recommends constructing double studs (as below) to fix the wall retainers to.

Size	Dim 'A'	Dim 'B'
900 x 900	900	900
1000 x 1000	1000	1000
1200 x 900 LH	1200	900
1200 x 900 RH	900	1200

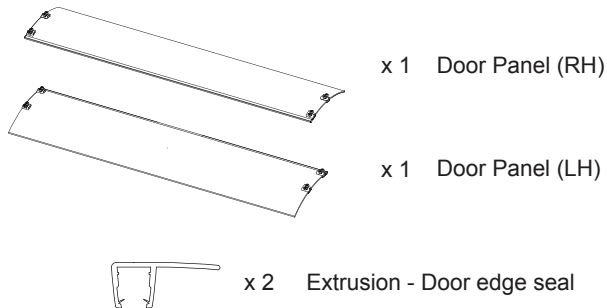


TOOLS AND MATERIALS REQUIRED

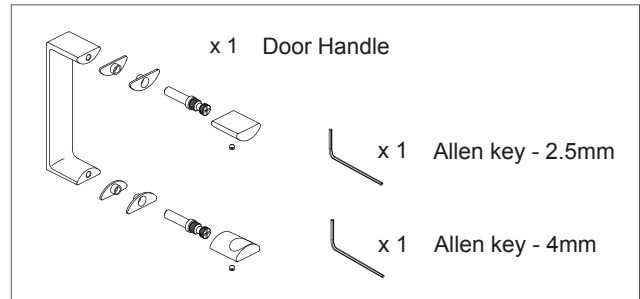


PARTS IDENTIFICATION

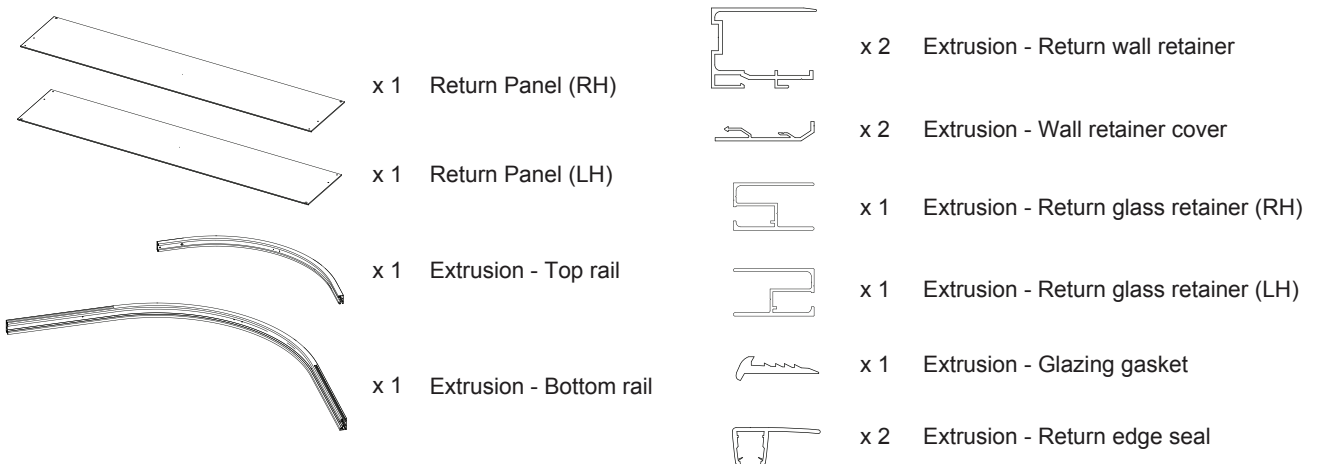
Door Pack



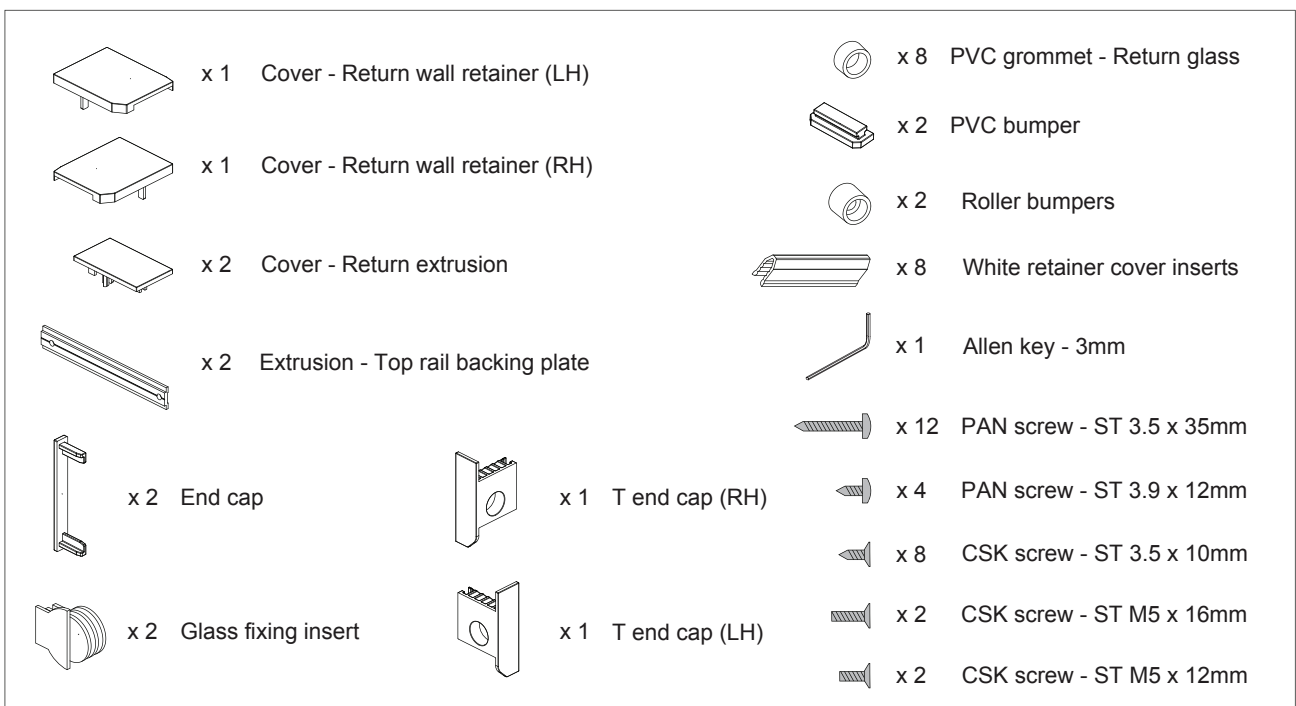
Door Handle Pack x 2



Return Pack



Hardware Pack



1 - INSTALLATION - Options

OPTION 1

Acrylic Wall & Tray



OPTION 2

Tiled Wall & Acrylic Tray



OPTION 3

Tiled Wall & Floor



OPTION 1 - Acrylic Wall & Tray

Tray: For tray installation refer to the instructions supplied with the tray.

Wall: For wall installation refer to the instructions supplied with the wall.

- Proceed to Section 2 - Door and return installation.

OPTION 2 - Tiled Wall & Acrylic Tray

Tray: For tray installation please refer to the instructions supplied with the tray.

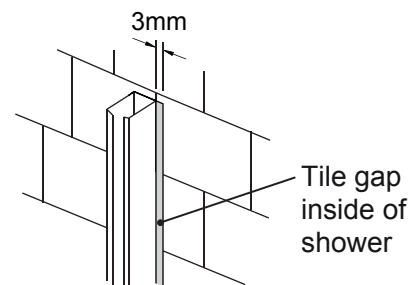
Wall:

- The vertical wall retainers **MUST** be installed onto the waterproof membrane **PRIOR TO WALL TILING**. If possible the complete door system should be installed onto the waterproof membrane prior to wall tiling.

CAUTION: Failure to install the wall retainers first may mean the door system may not fit on the shower tray due to the tile thickness.

- If not installing the complete door system prior to tiling make sure to leave a 3mm gap between the wall retainer extrusion and the tiles on the inside of the shower to allow for wall retainer cover extrusion. Refer to image.

- Proceed to Section 2 - Door and return installation.



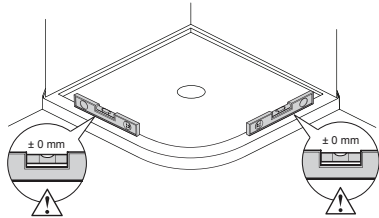
OPTION 3 - Tiled Wall & Floor

- The door and return can be installed directly onto the wall and floor tiles.

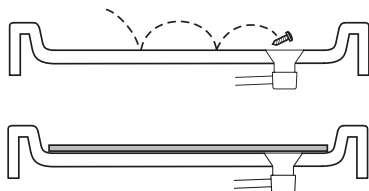
- Proceed to Section 2 - Door and return installation.

2 - INSTALLATION

Caution: Ensure tray or tiled floor is level & walls are vertical & square.



Tip: Cover the waste to prevent the loss of small parts. If installing onto a tray protect the tray surface during installation.

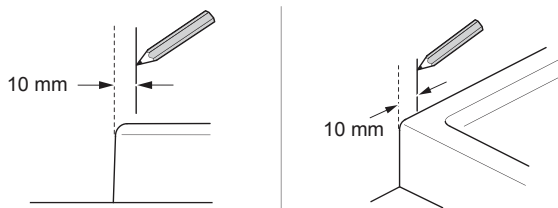


2.1 Wall Retainers

(a) Mark the locations of the wall retainers.

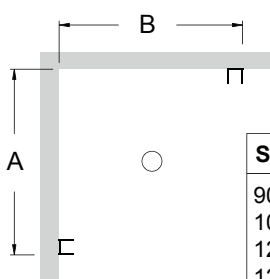
For tray base option:

- Mark 10mm in from top edge of tray.



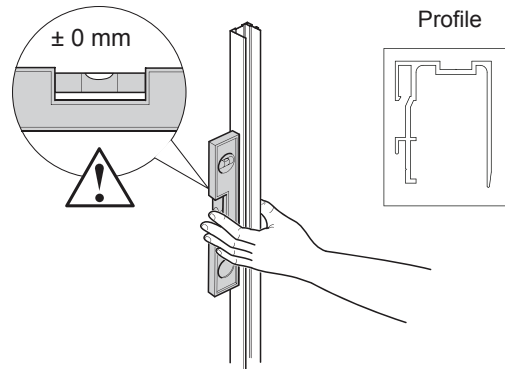
For tiled base option:

- Mark from finished wall to outer edge of retainer.

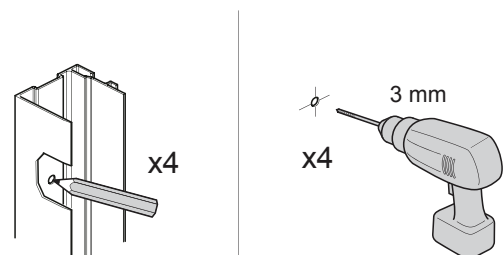


Size	A	B
900 x 900	875	875
1000 x 1000	975	975
1200 x 900 LH	1175	975
1200 x 900 RH	975	1175

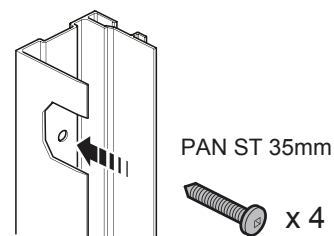
(b) Position a wall retainer on a wall with flat side facing outwards. Use a level to make sure it is upright. (This is critical to ensure correct operation of the door).



(c) Mark position of fixing holes, then remove wall retainer and drill holes using an appropriate 3mm drill bit (not supplied).



(e) Fix wall retainer to wall using 4 pan SCREWS (supplied).

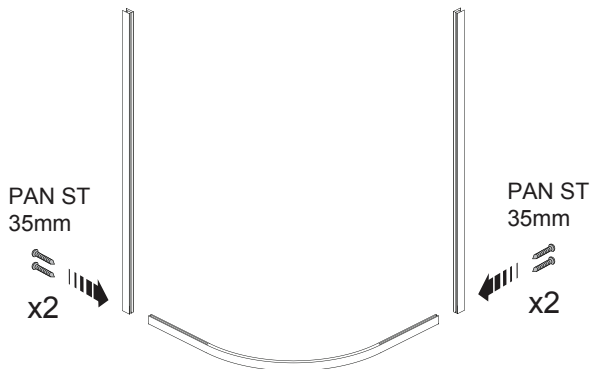


(f) Repeat steps (b) to (e) for other wall retainer.

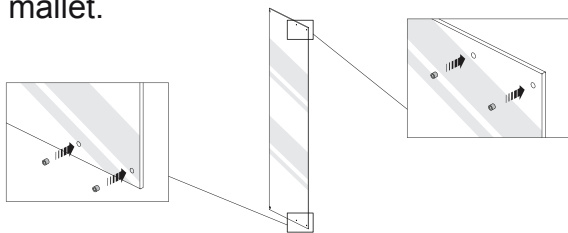
2.2 Return Assembly

This part of the installation is done away from shower location.

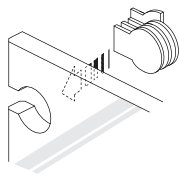
- (a) Fix the return extrusions to the bottom rail using 2 screws (supplied) per side.
Tip: Once return extrusions are fixed to bottom rail lean them against a wall.



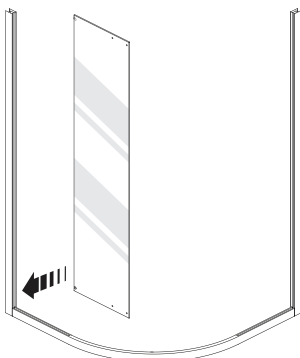
- (b) Insert grommets into 4 return panel holes.
Tip: Place glass onto a soft flat surface & gently tap with a block of wood & a rubber mallet.



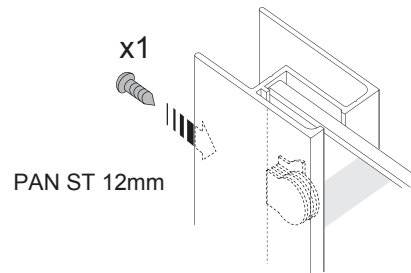
- (c) Slot one glass fixing insert into top slot of a return glass panel. (Note orientation).



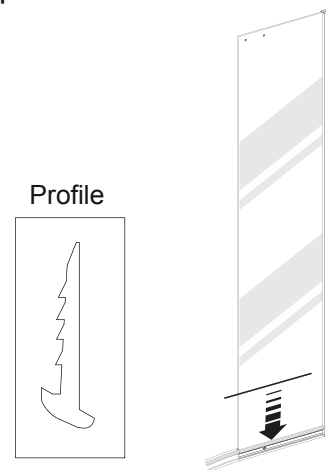
- (d) Slot return glass panel into return extrusion and bottom rail. (Note orientation).



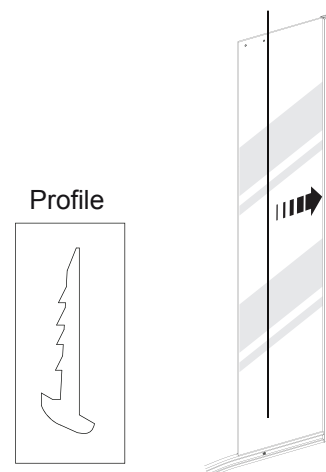
- (e) Fix in place with pan screw (supplied) by screwing through extrusion into glass fixing insert.



- (f) On inside of shower insert glazing gasket between glass and bottom rail, with flat side touching glass panel.
Tip: Lubricating seal with soapy water will help with installation.



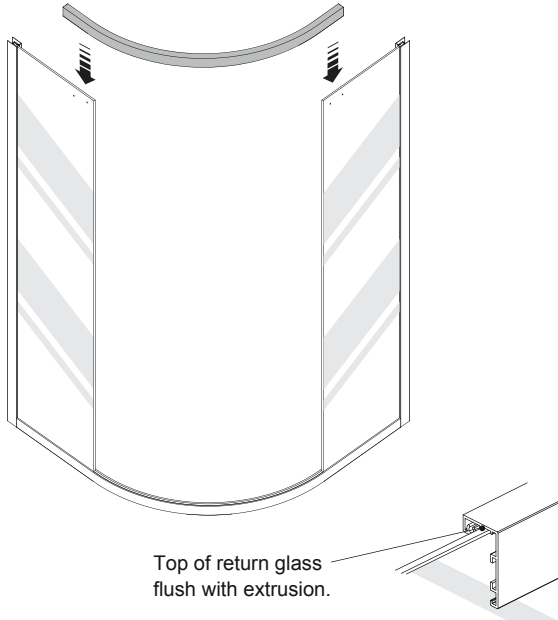
- (g) On inside of shower insert glazing gasket between glass and extrusion, with flat side touching glass panel.
Tip: Lubricating seal with soapy water will help with installation.



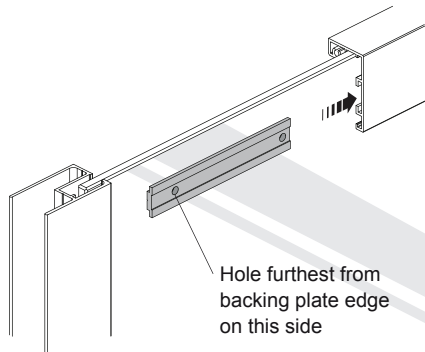
- (h) Repeat steps (b) to (g) for other return.

2.3 Top Rail Assembly

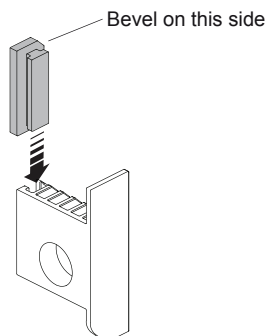
(a) Place top rail onto both return glass panels as shown below. Make sure glass is properly inserted into rail. Top of return glass should be flush with extrusion.



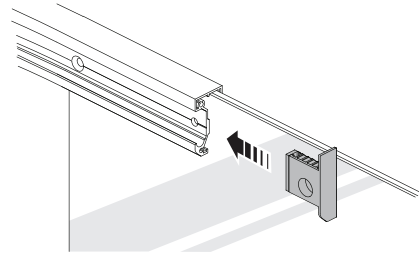
(b) Insert backing plate into outside end of top rail. Note orientation.



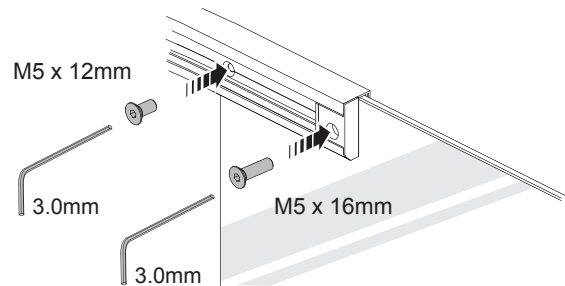
(c) Insert PVC bumper into T end cap. Note orientation.



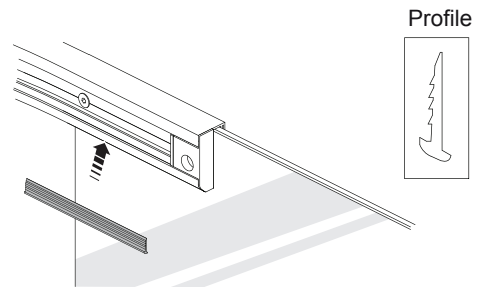
(c) Insert T end cap with bumper into end of top rail on inside of shower. Note orientation.



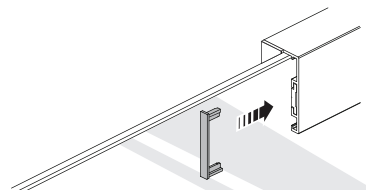
(d) Make sure holes align properly and insert 16mm hex screw into T end cap and 12mm hex screw into top rail. Loosely tighten.



(e) Insert gasket inbetween glass and top rail with flat side touching glass.



(e) Tap end cap into outside of top rail using a wooden block and soft mallet.



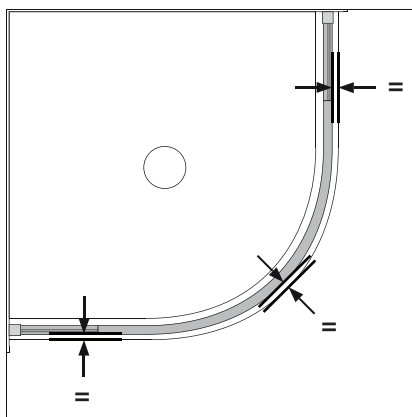
(f) Tighten screws. DO NOT overtighten.

(g) Repeat steps (b) to (f) for other end of rail.

2.4 Frame Installation

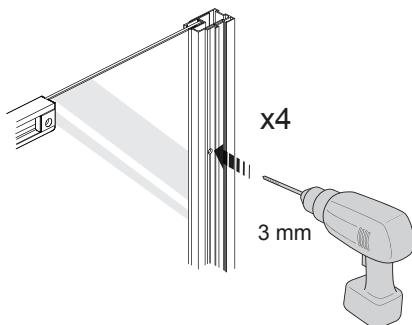
- (a) Carefully lift the entire frame and move into position onto tray or tile floor.
CAUTION: This is a 2 person lift.

Slide return extrusions into wall retainers. For tray installations ensure distance from edge of tray to frame extrusions is equal.

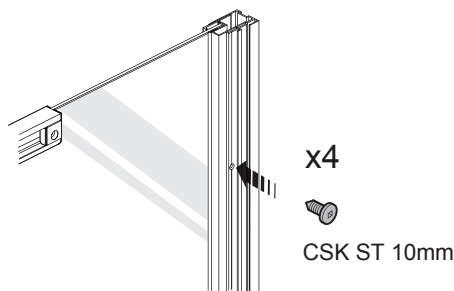


IMPORTANT: Make sure top rail is level and is still flush with return glass.

- (b) Drill 4 x 3mm holes from inside of shower enclosure in return extrusion through pre-drilled holes in wall retainer.



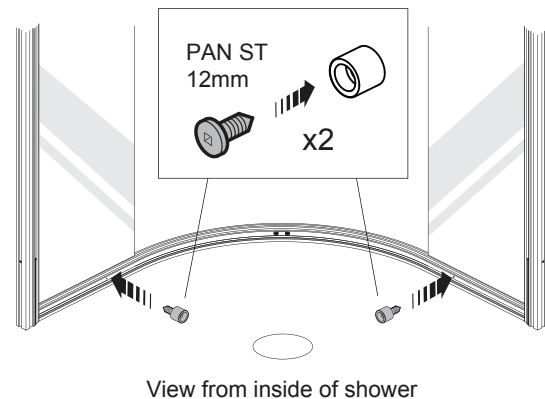
- (c) Fix extrusion to wall retainer with countersunk screws (supplied).



- (d) Repeat steps (c) to (d) for other wall retainer and return extrusion.

2.5 Lower Door Bumpers

- (a) Insert pan screws into bumpers and screw into bottom rail.

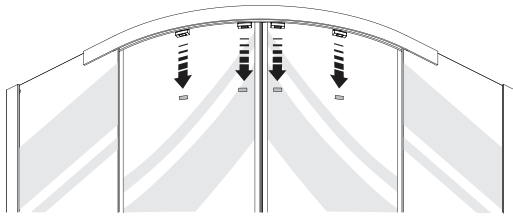


2.6 Door Installation

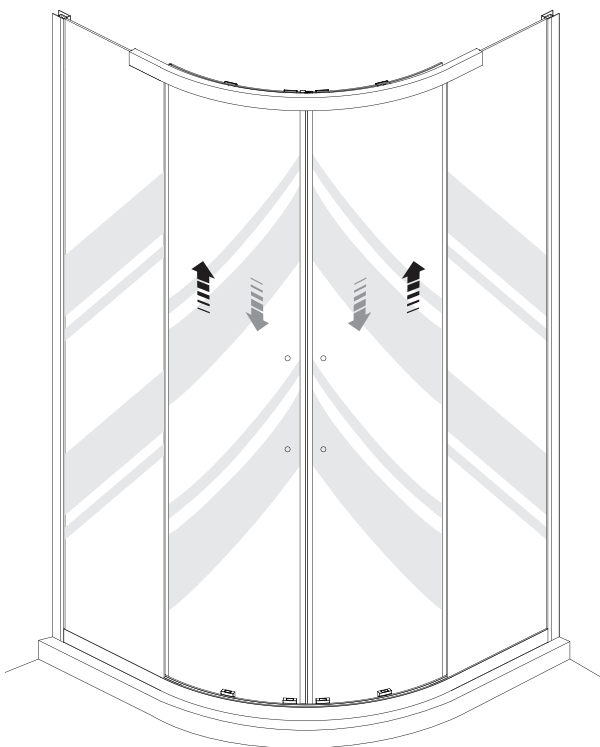
- (a) Hang both doors on top rail from unsprung rollers on inside. Press down button on bottom rollers to allow bottom rollers to clamp onto bottom rail.



(b) To adjust doors up or down remove caps from underside of top rollers to allow access to adjusting screws.



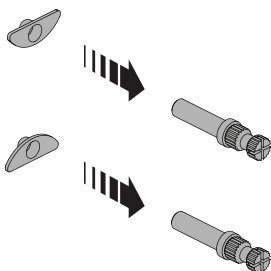
(c) Adjust doors up or down as necessary. When doors are level adjust both doors upwards evenly to lock them in place.



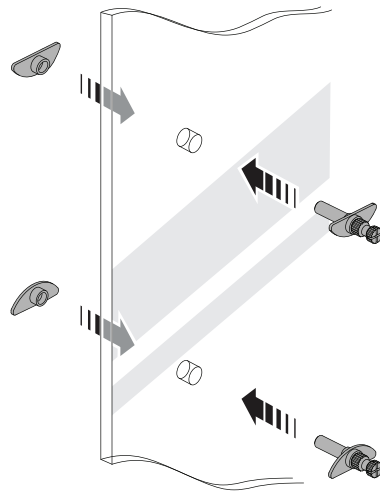
(d) Replace caps

2.7 Door Handles

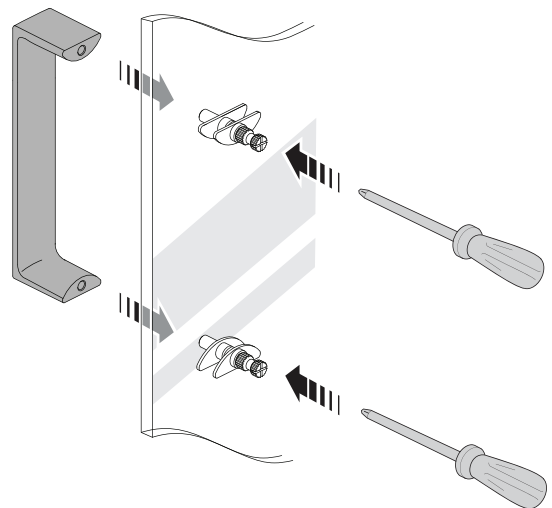
(a) Place a clear plastic washer onto threaded side of each spline. Note orientation.



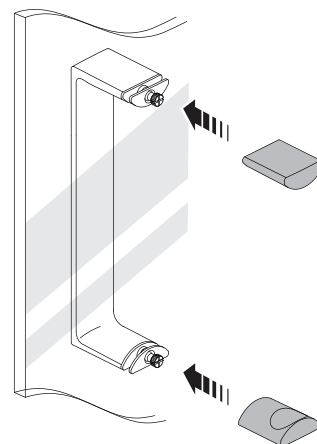
(b) Insert splines into holes in glass door from inside of shower and place a second clear plastic washer onto each spline. Note orientation.



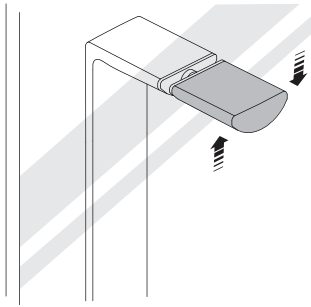
(c) Screw splines tightly into handle.



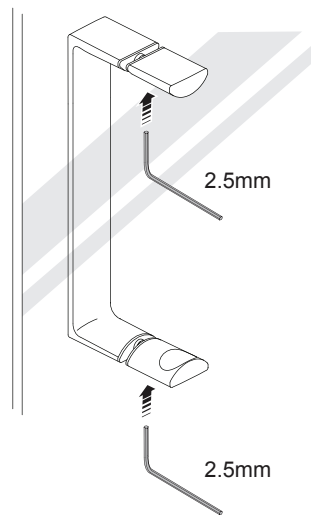
(d) Slide knobs onto splines. Grub screw holes must face down. Note orientation.



(e) If necessary carefully twist inside handles to align with outside handle.



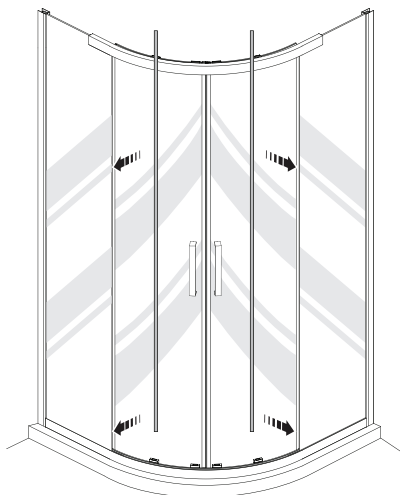
(f) Tighten inside handle grub screws using allen key (supplied).



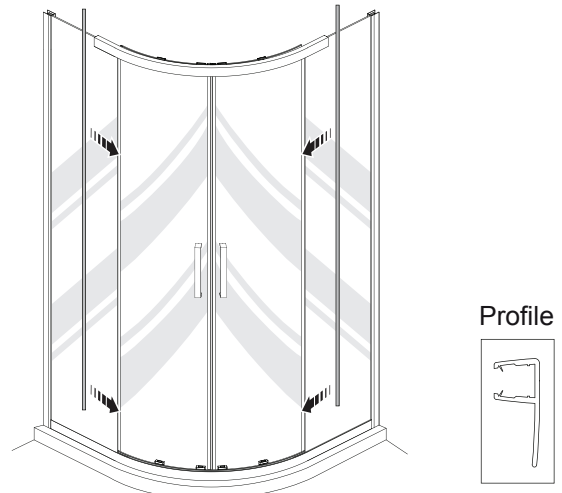
(g) Repeat (a) to (f) for other handle.

2.8 Drip seal installation

(a) Install seals on edges of return glass. Tail must face inside of shower.



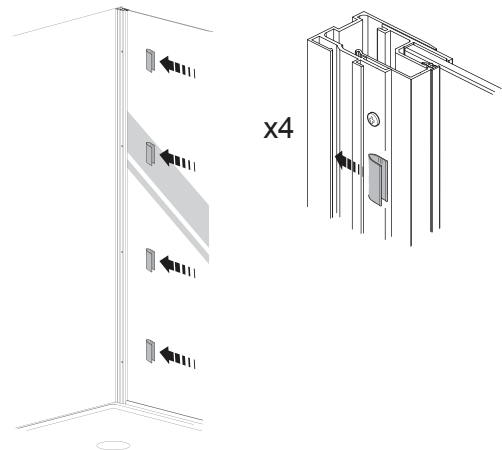
(b) Install seals on edges of door glass. Tail must face outside of shower.



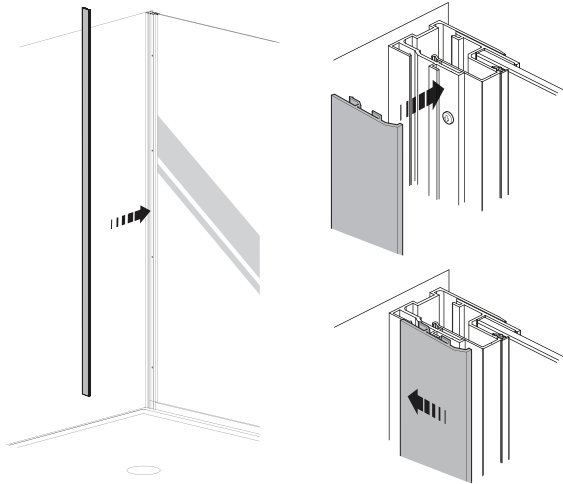
(c) Trim top edge of seal tail to same height as return seal to make clearance for rail.

2.9 Covers & Caps

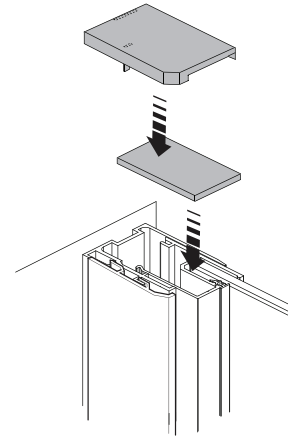
(a) Install 4 x retainer cover panel clips in return wall retainer.



(b) Install retainer cover panel on wall retainer. Place cover against retainer, then slide towards wall to clip in place. If necessary place a piece of wood against the cover and tap gently with a soft hammer.



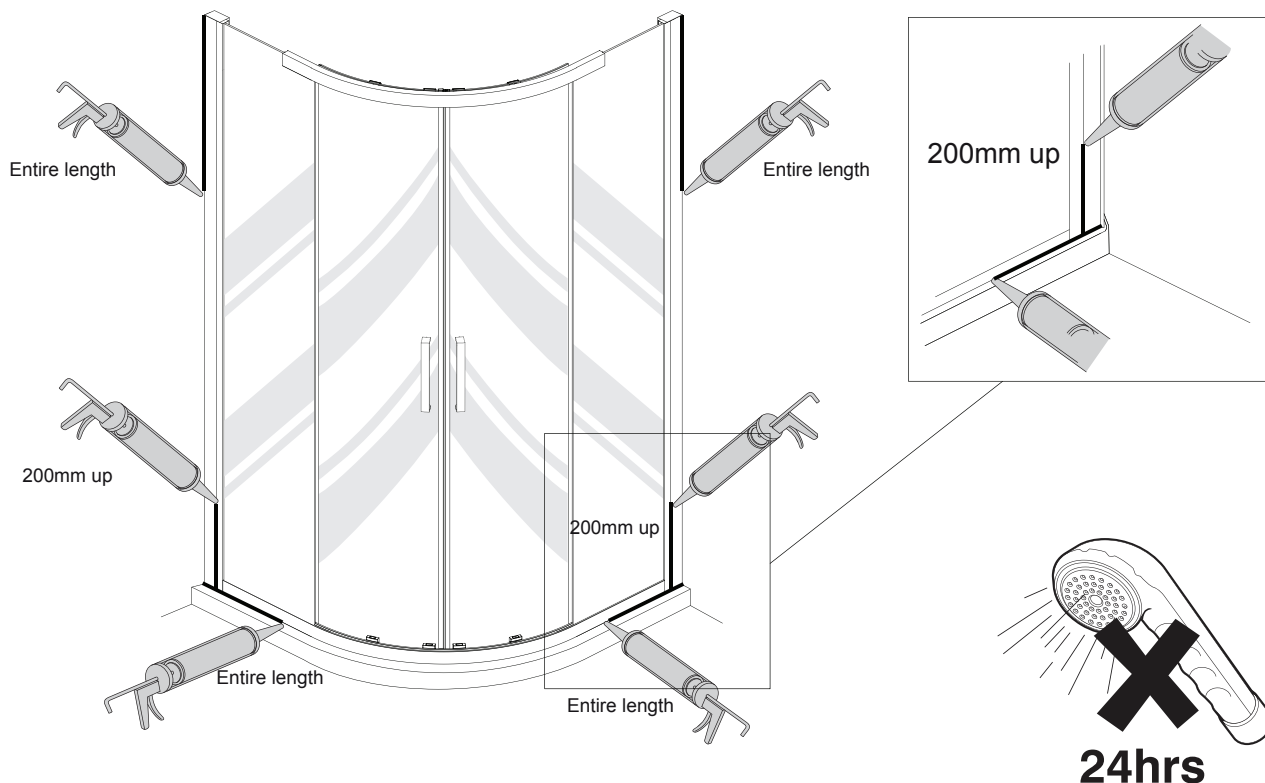
(c) Place 2 caps on top of the wall retainer. Note orientation. Top caps are handed. Below shows the right hand wall retainer. Apply a small bead of silicone to secure if necessary.



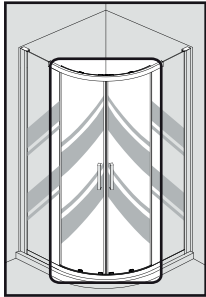
(d) Repeat steps (a) to (c) for other wall retainer.

2.10 Shower Sealing

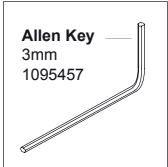
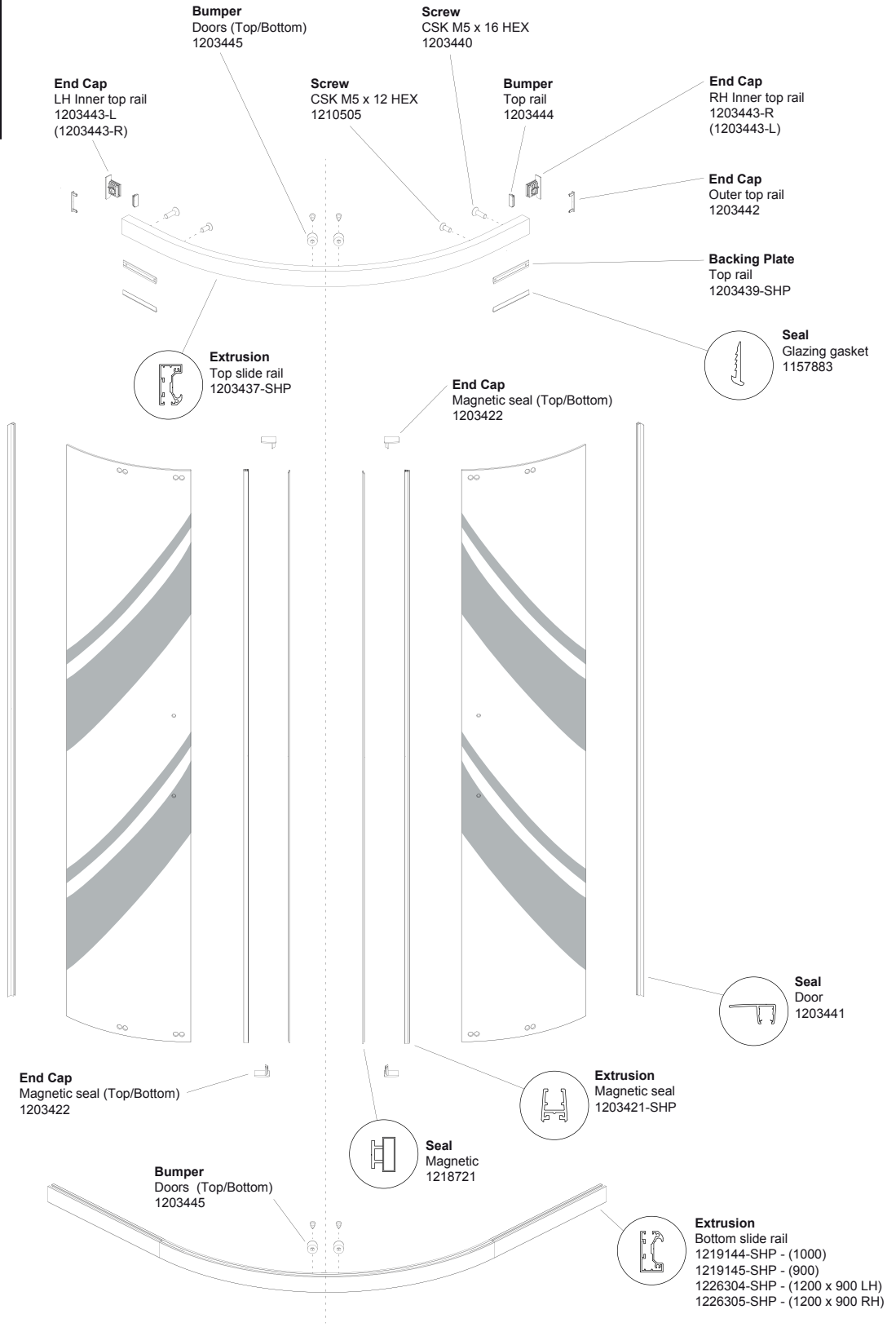
(a) Apply sealant (supplied) in accordance with the sealant manufacturers instructions along the outside surfaces of the door frame only. Allow the sealant to cure for 24 hours before use.

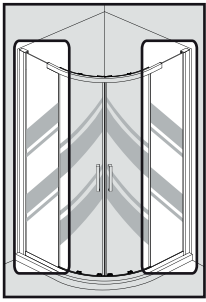


SPARE PARTS

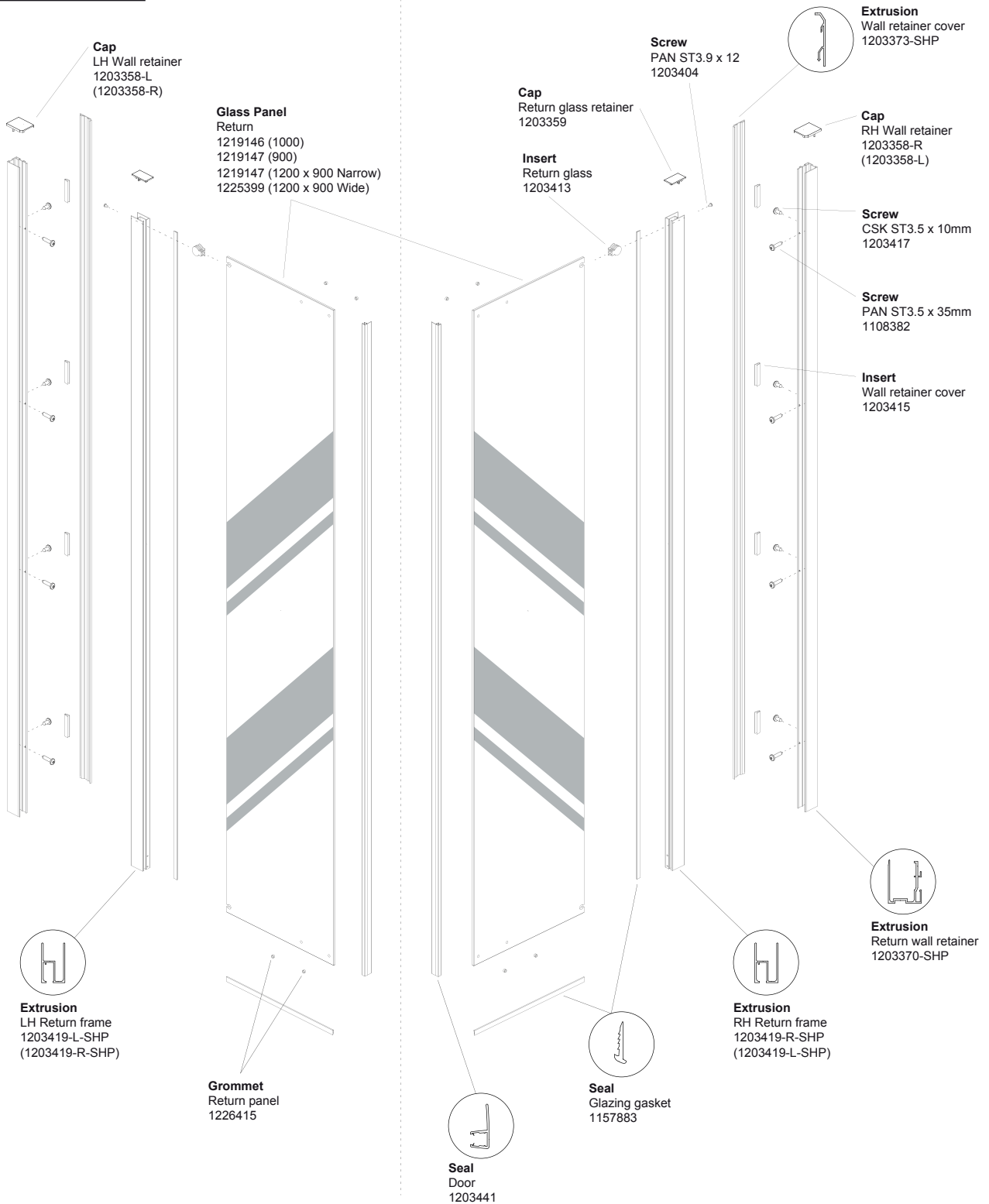


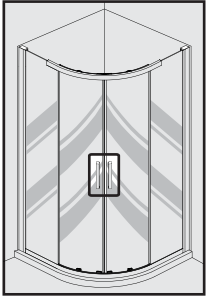
Doors





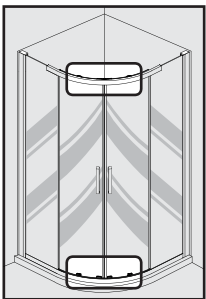
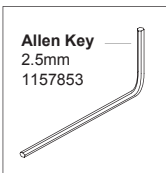
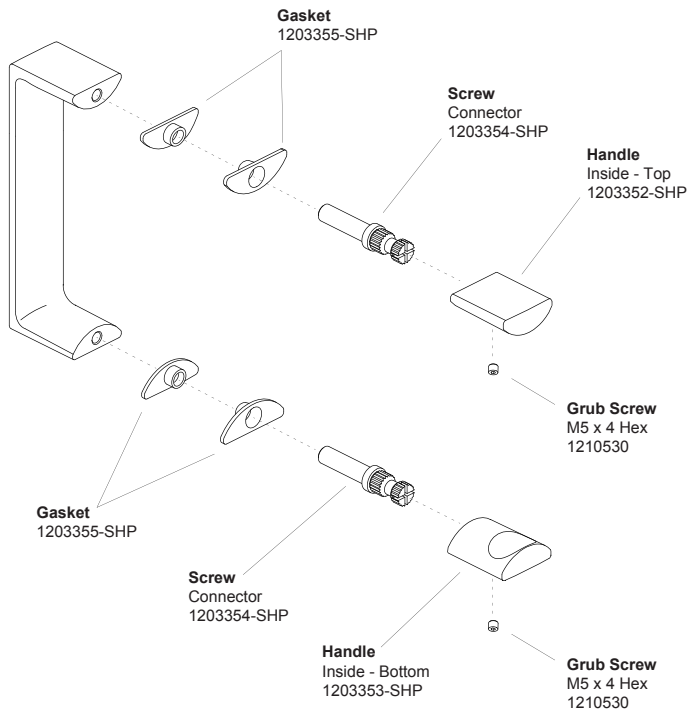
Returns





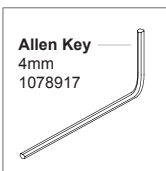
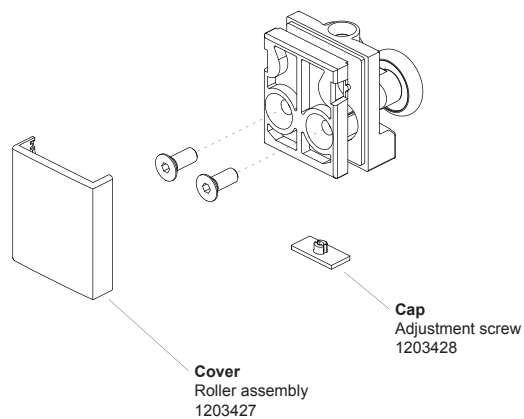
Handle

Handle Assembly - All
1203350-SHP



Rollers

Roller Assembly
1203483-SHP (Top rollers)
1203423-SHP (Bottom rollers)



CLEANING INSTRUCTIONS

Please refer to the Home Owner's Guide for cleaning instructions.

CONTACT AND WARRANTY INFORMATION

NEW ZEALAND KOHLER NZ LTD

Free Ph: 0800 100 382
Free Fax: 0800 664 488
www.Englefield.co.nz

AUSTRALIA KOHLER CO.

Free Ph: 1 800 ENGLEFIELD
(1 800 364 533)
www.Englefield.com



For warranty information, please visit our website

Trusted in New Zealand Since 1982