

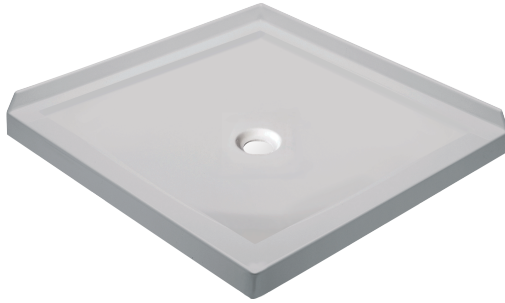
# INSTALLATION INSTRUCTIONS



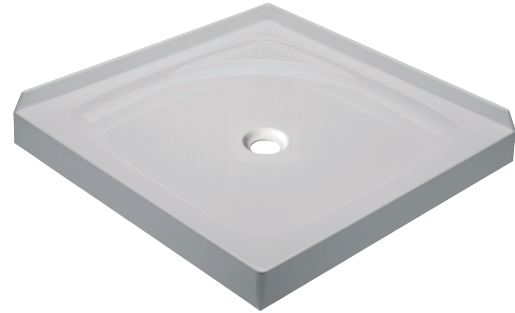
## SHOWER

## QUICK-FIT® SHOWER TRAY

Low Profile Tray



Standard Tray



### BEFORE YOU BEGIN

**NOTE:** Building requirements can vary, local regulations must be checked prior to installation.

**NOTE:** Drawings in this document are not to scale.

### A) SHOWER TRAY & ENGLEFIELD DURACRYL® WALL/TILED WALL INSTALLATION OPTIONS

The tray should be installed in accordance with one of the following recommended methods: Fig 1,2 or 3.

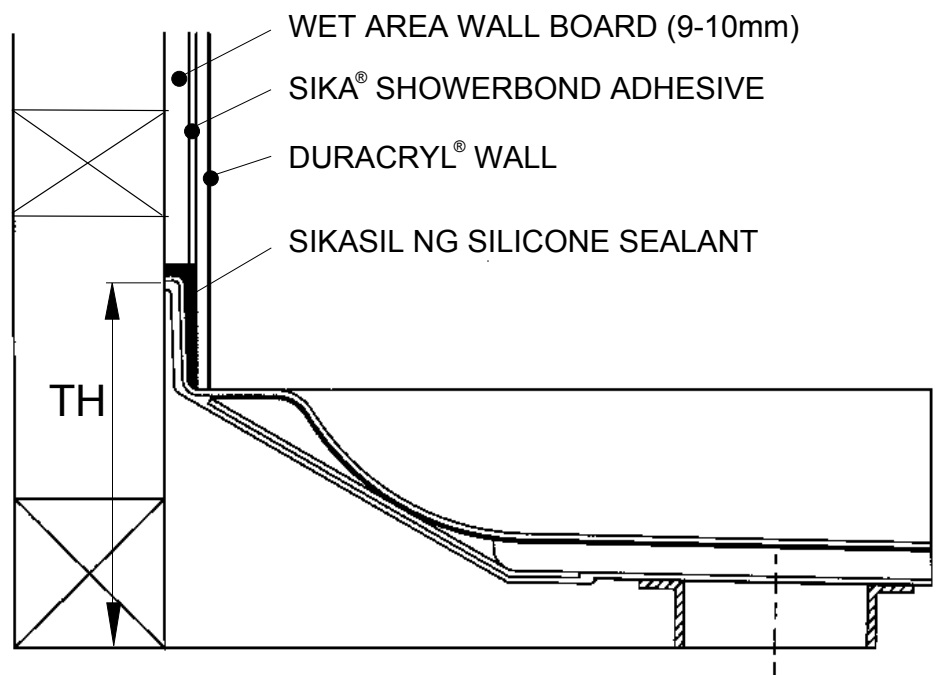
#### Fig. 1 - Wet Area Wall Board & Englefield Duracryl® Wall



#### IMPORTANT

Install Duracryl® Shower Wall as per installation instructions supplied with the wall.

TH (Tray height):  
Standard - 132mm  
Low Profile - 112mm

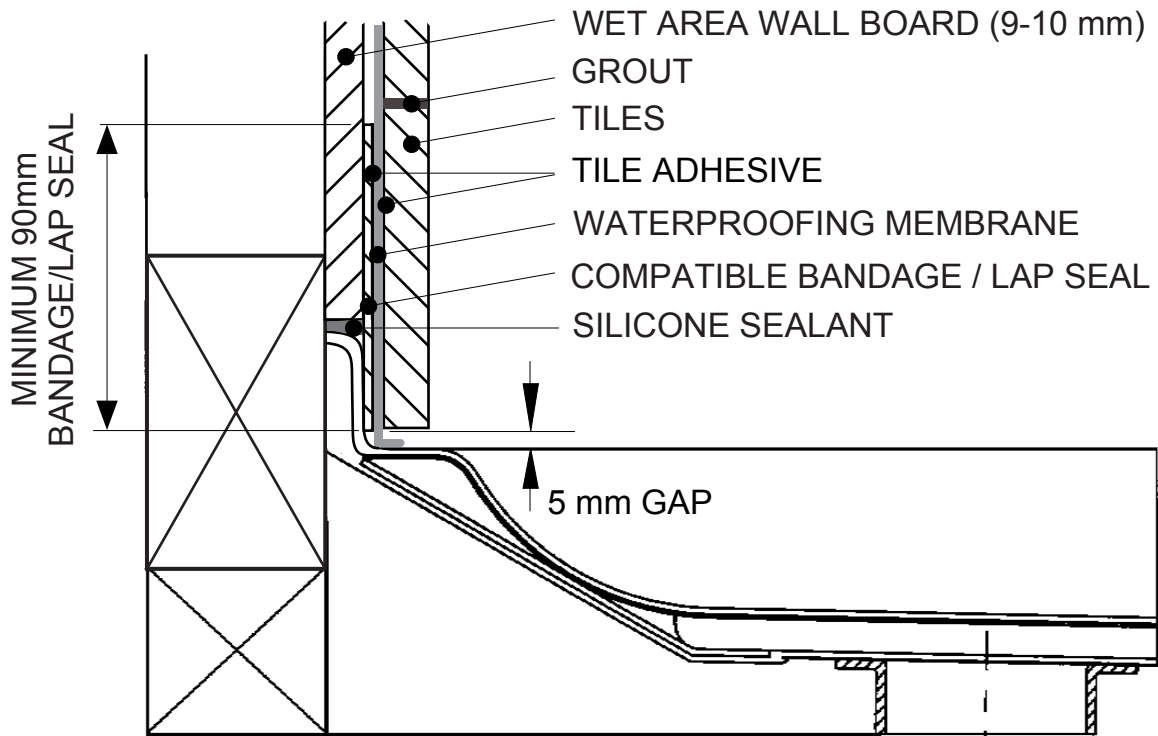




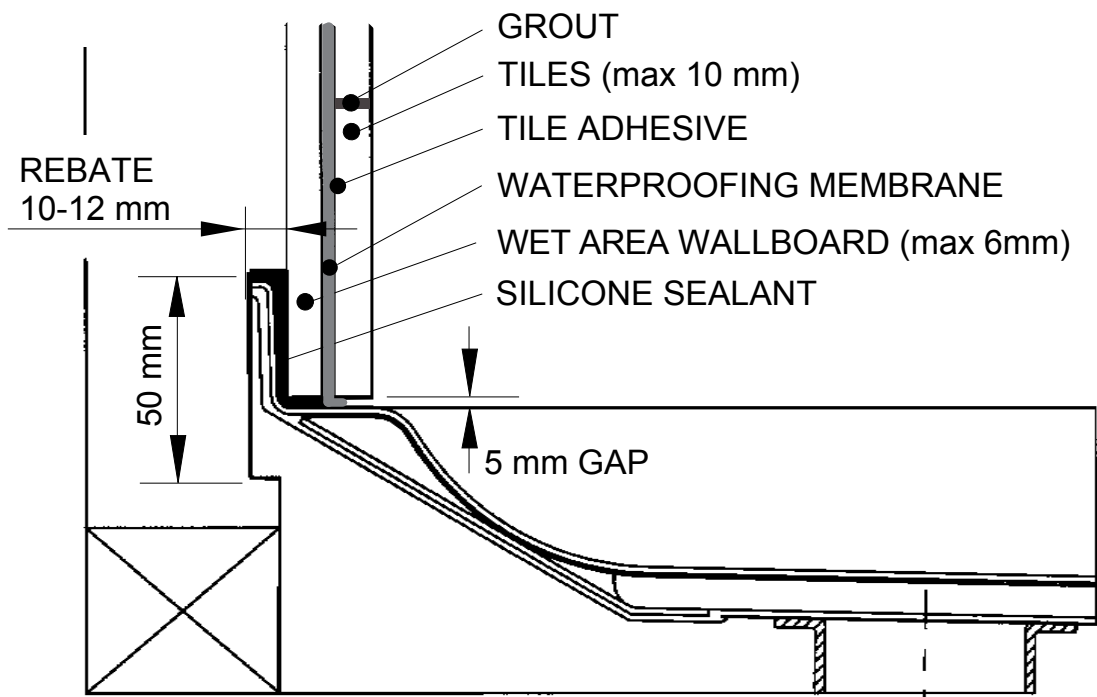
**IMPORTANT**

Wall retainer extrusions or door must be installed **prior to tiling**. Please refer to installation instructions provided with shower door.

**Fig. 2 - Wet Area Wall Board & Tiles - Method 1**



**Fig. 3 - Wet Area Wall Board & Tiles - Method 2**



**Please note:** Instructions, drawings, and diagrams contained in this manual present information available at the time of printing. Although every attempt has been made to keep them up-to-date, Englefield reserves the right to implement product changes without further notice.

**B) FLOOR CONSTRUCTION**

**TIMBER**

When installed on a timber floor, the floor board should be supported at not greater than 500mm centres and the cut-out waste connection kept to a minimum.

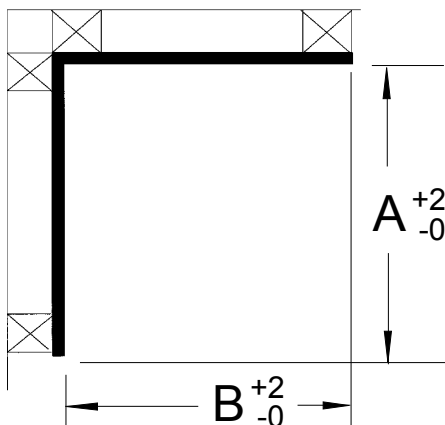
**CONCRETE**

When installed on a concrete slab floor, chases or channels left for plumbing must be completely backfilled.

**C) WALL CONSTRUCTION**

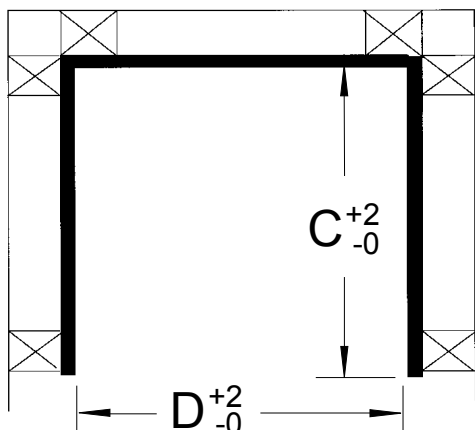
- 1) Ensure that the wall framing and lining are constructed in accordance with one of the following illustrations (Fig. 4 or 5).
- 2) Measure the back and side wall(s). The dimensions of the shower area (measured to the finished surface of the wall board) must be as shown below. This is particularly important for Alcove (3-sided) installations where an Englefield Duracryl® wall will be installed.
- 3) Ensure studs are located as shown (dimensions A,B & C) to provide a solid support for the door and return panels.

**Fig. 4 - Corner (2 sided) Wall**



SHOWER TRAY	A	B
900 X 750	739	879
900 X 900	884	884
1000 X 1000	984	984
1200 X 900	884	1184

**Fig. 5 - Alcove (3 sided) Wall**



SHOWER TRAY	C	D
900 X 750 X 900	885	747
750 X 900 X 750	739	864
900 X 900 X 900	884	864
1000 X 1000 X 1000	984	964
900 X 1200 X 900	884	1164

**NOTE:** Dimensions are to the finished surface of the wall board

## INSTALLATION - SHOWER TRAY

**IMPORTANT**

- Shower tray must be installed level!
  - Tray must be fully supported!
- Failure to comply voids warranty.**

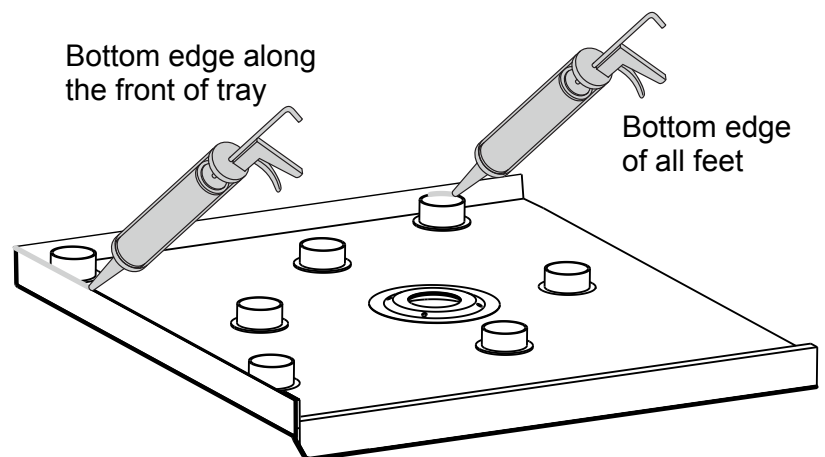
## A) CEMENT SLURRY

Many tradesmen prefer to install trays on a weak cement slurry (approx. 10:1 sand and cement) thus ensuring complete support over the entire load-bearing area. However this step is not necessary providing that installation is on a flat, level surface free of bumps and protrusions.

When installed on a concrete slab floor, chases or channels left for plumbing must be completely backfilled. Building requirements can vary, local regulations must be checked prior to installation.

## B) CONSTRUCTION ADHESIVE

- 1) With the tray laying upside down, apply a **suitable adhesive**, such as Showerbond or Nailbond PB, to the bottom edges of all feet and the bottom edge along the front of tray.
- 2) Carefully turn tray over and place into position.  
**Ensure that the tray is level.**
- 3) Leave the tray in place, do not stand or walk on it for 24 hours to allow enough time for the adhesive to cure.



## INSTALLATION - SHOWER WASTE

Install shower waste. Follow instructions supplied with the waste.

## INSTALLATION - ENGLEFIELD DURACRYL® WALL

Install wall if applicable. Follow instructions supplied with the wall.

## CONTACT AND WARRANTY INFORMATION

- For contact information, please refer to the Home Owner's Guide.
- For warranty and other information, please visit our website.

**NEW ZEALAND**  
 KOHLER NZ LTD  
[www.inglefield.co.nz](http://www.inglefield.co.nz)

**AUSTRALIA**  
 KOHLER CO.  
[www.inglefield.com](http://www.inglefield.com)

