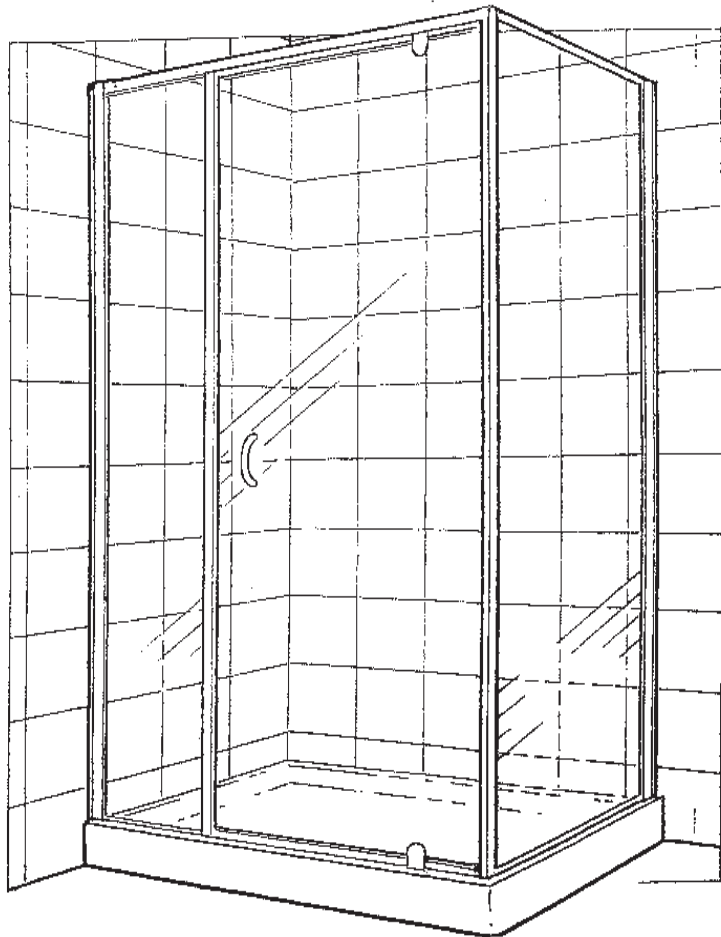




Trusted in New Zealand Since 1982

# INSTALLATION GUIDE

## VALENCIA 1200 x 900 SQUARE CORNER SHOWER



SEALANT REQUIRED TO COMPLETE THIS INSTALLATION:  
(Not supplied)

Sika Sikasil NG (Arctic White)

• To seal the WHITE shower door and returns to the shower tray.

Usage:

• 1 cartridge per shower

Sika Sikasil NG (Translucent)

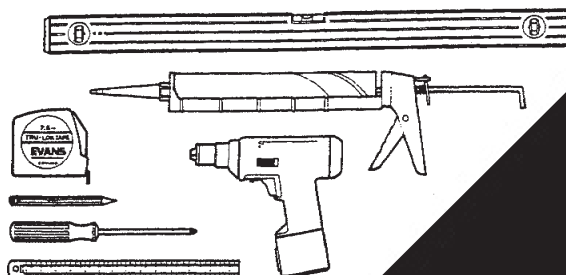
• To seal the METALLIC shower door and returns to the shower tray.

Usage:

• 1 cartridge per shower

### TOOLS REQUIRED

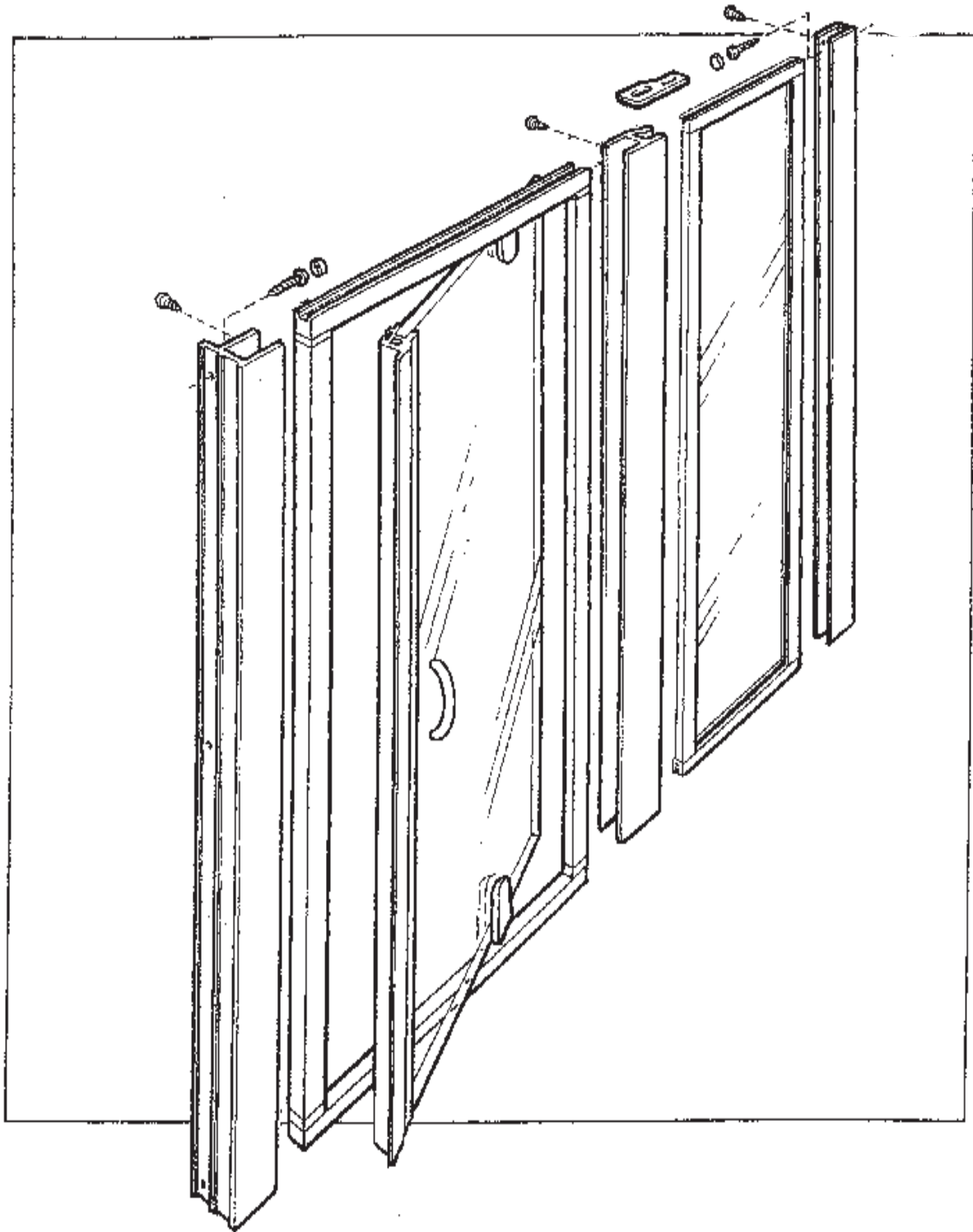
- Level
- Tape
- Pencil
- Phillips screwdriver
- Ruler
- Drill
- Caulking gun



**IMPORTANT**  
READ ALL INSTRUCTIONS  
CAREFULLY BEFORE  
STARTING THE  
INSTALLATION  
THIS WILL ENSURE YOU  
OBTAIN THE BEST  
POSSIBLE  
RESULTS

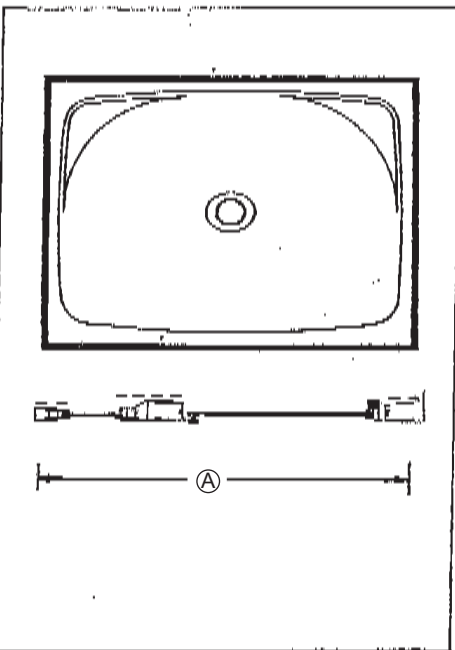
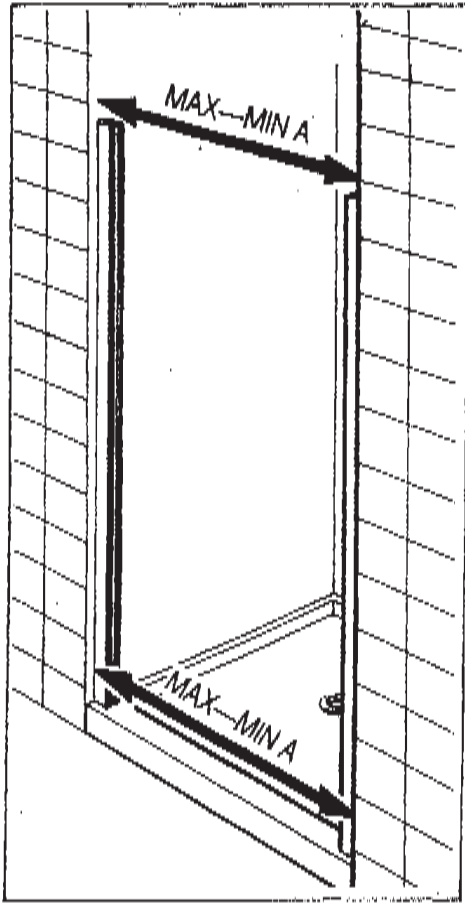


# Fitting Instructions



**NOTE: SHOWER TRAY MUST BE INSTALLED  
AS DETAILED ON SHOWER TRAY CARTON**

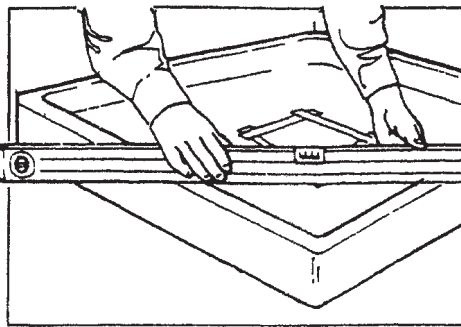
**1** Check the distance between the walls to ensure they are within the maximum and minimum enclosure adjustment tolerances.



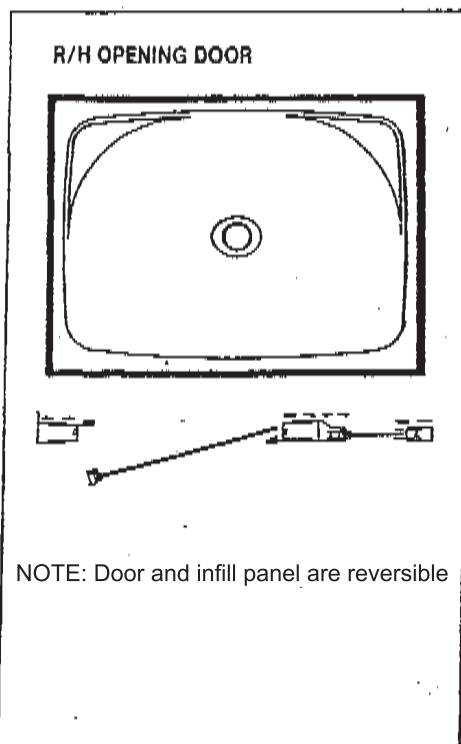
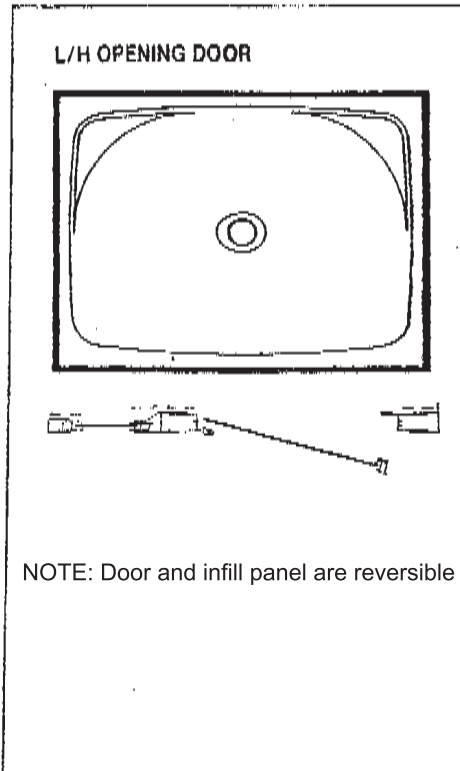
| TYPE | A ADJUSTMENT TOLERANCE (mm) |         |
|------|-----------------------------|---------|
|      | MINIMUM                     | MAXIMUM |
| 1200 | 1126                        | 1194    |

**2** It is recommended that the waste outlet be 'taped over' to avoid the loss of any components during installation.

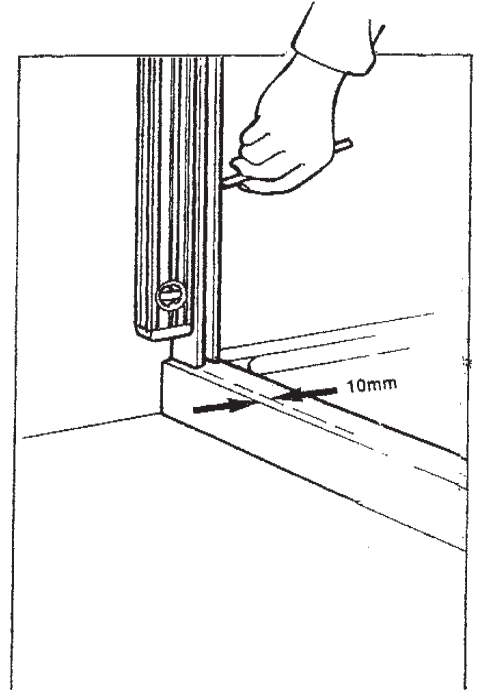
**3** Shower base MUST be installed level.



**4** Select preferred shower door position and opening.



**5** Position the Return Wall Retainer Profile against shower walls, resting on the shower base sill. Profile should be located 10mm from the front of shower base. Check vertical with spirit level and mark fixing holes. ENSURE WALL RETAINER PROFILES ARE PLUMB.



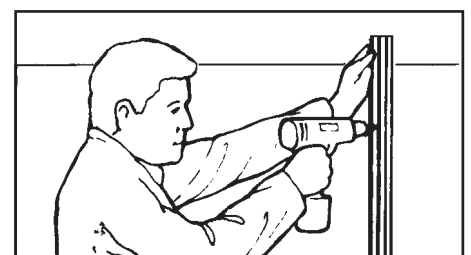
**6** Repeat Step 5 for the Door Wall Retainer, NOTE: the fixing holes should face into the shower.

**7** Fix both wall retainers in place using the 6 long screws. Make sure the screws go into studs.

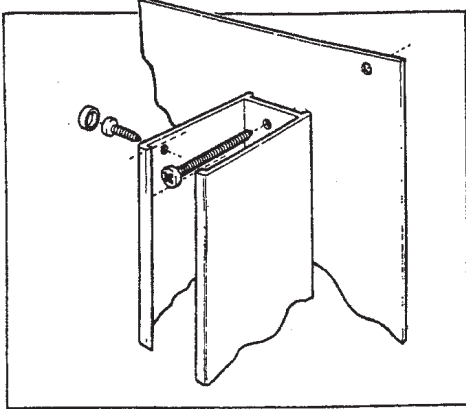
Note: If Screwing into backing board only, use appropriate wall anchors in the wall.

**CAUTION:** We recommend fixing the wall retainers by screwing through the backing board and into studs. Other methods may cause warping and might void warranty.

**CAUTION:** BEFORE DRILLING HOLES, ENSURE THERE ARE NO ELECTRICAL CABLES OR WATER PIPES BEHIND WALLS

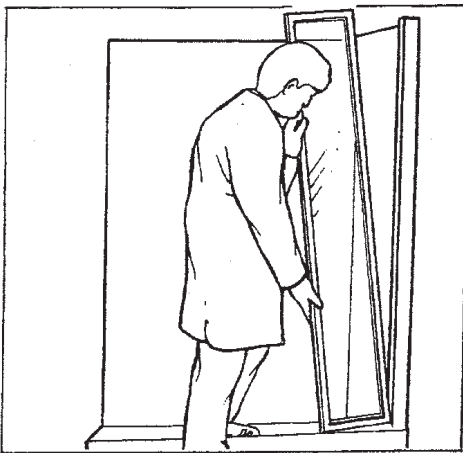


**8** Fit Return Wall Retainer to Wall.



**9** Insert 300mm infill panel into wall retainer so that the black mark aligns with the edge of the wall retainer. **NB:** The markings on the top & bottom rails should be on the outside of the enclosure & the flexible side of the PVC gasket on the inside. **DO NOT** push the PVC gasket into position at this stage.

**IMPORTANT**  
WHERE USED, RAISED MODESTY LINE PATTERN MUST FACE OUTSIDE OF SHOWER



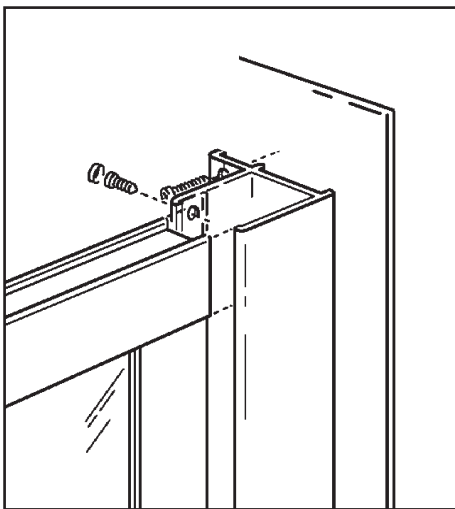
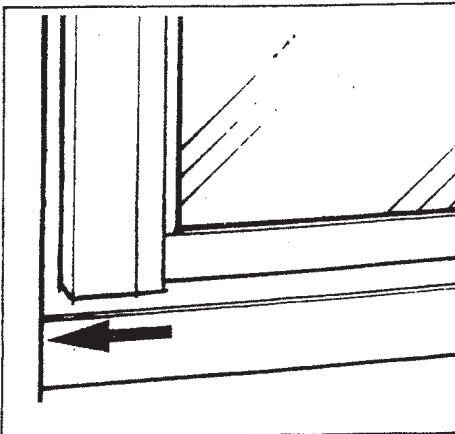
**10** Fit 180° Post to Infill Panel and push into position. **NB:** Punched holes face inside the shower.



**11** Position Door Wall Retainer onto door assembly and fit to 180° post.

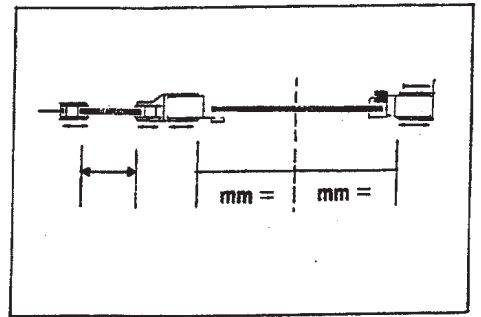


**12** Slide Wall Retainer Profile into position and fix to Wall.

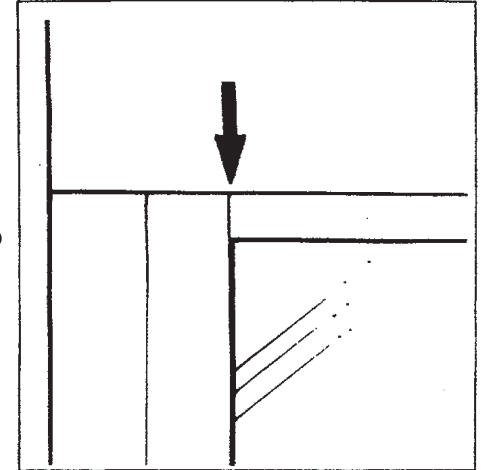


**13a** Centralise Door Assembly between Wall Retainer and 180° Post.

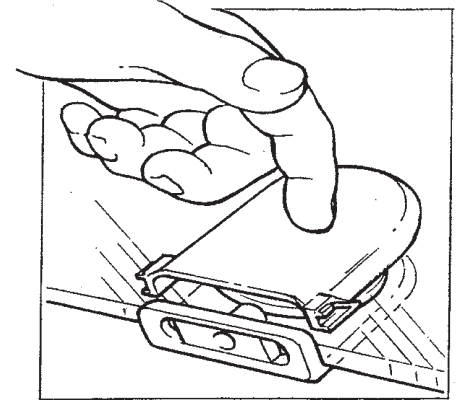
**b** Position Infill Panel between Wall Retainer and 180° Post so that the black lines are not visible. **DO NOT** push the PVC gasket into position at this stage.



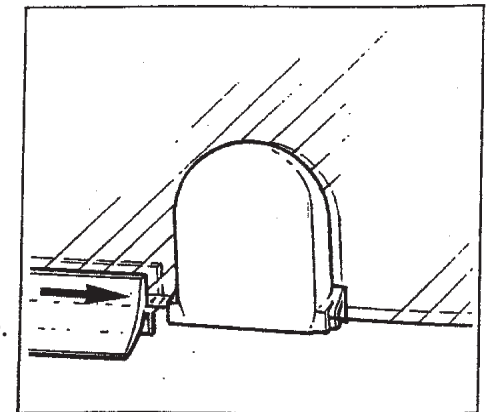
**14** Check that the Door and Infill Panel Assemblies are level with top of Wall Retainers and 180° Post.

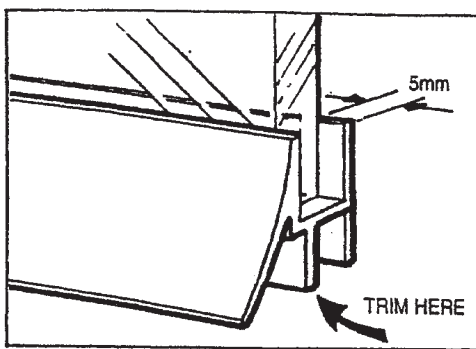


**15** Fit top and bottom hinge caps. (Note: Bottom cap has 'wings').

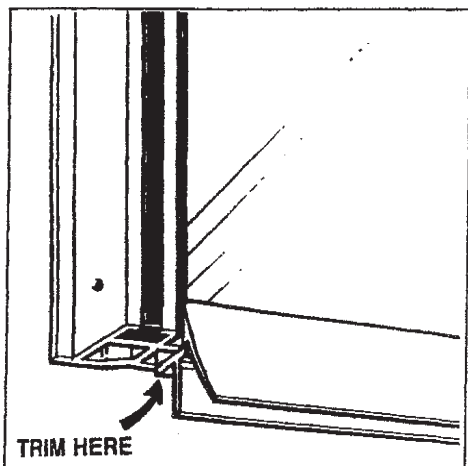


**16** Slide drip edge seal over wing on bottom hinge cover and trim off at edge of glass. Repeat between hinge cover and extrusion fixed to door glass.

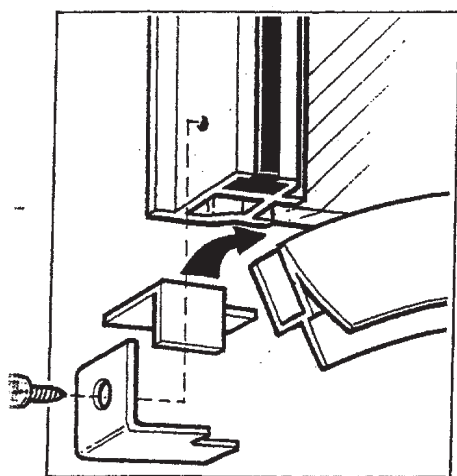




Ensure that the end of this seal just clears the Door Jamb as the door closes to create the best seal.



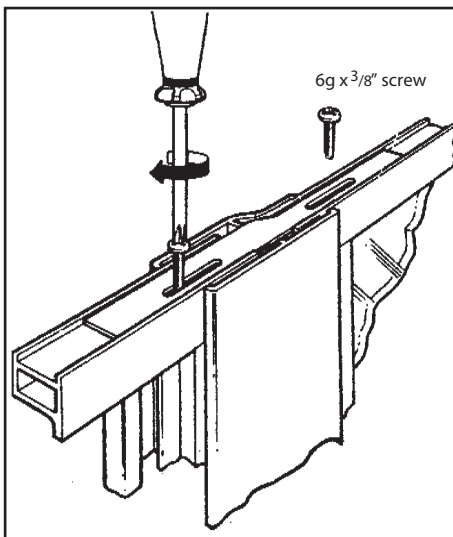
**17** Prise drip edge seal off glass beside door edge extrusion enough to slip drip seal moulding underneath. (Note: drip seal moulding and retainer bracket are 'handed'.) Push drip seal firmly back onto glass and pull into contact with door edge extrusion. Clamp in place using the bracket and powder coated No. 6 screw.



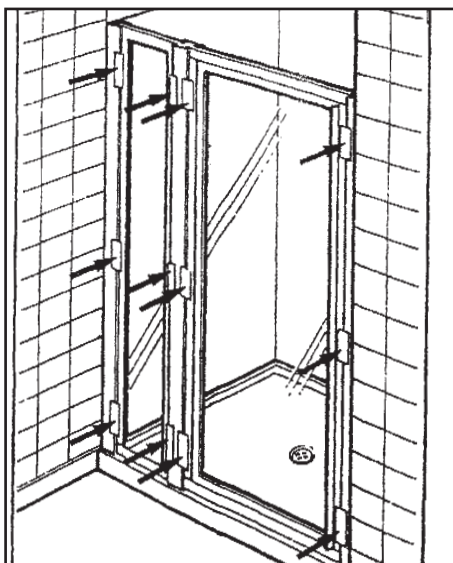
Fit the other powder coated screw to the top hole in the door edge extrusion.

**18** Fit handles following the instructions supplied with handle.

**19** Remove screw from Door Frame at top of 180° Post and refit with bracket as shown. Fit small screw into top of Infill panel.



**20** Using spirit level plumb Door, 180° Post and Infill Panel. Tape into position as shown. Check Door opens and shuts properly and the black lines on the Infill Panel top and bottom rails remain hidden. Readjust if necessary.



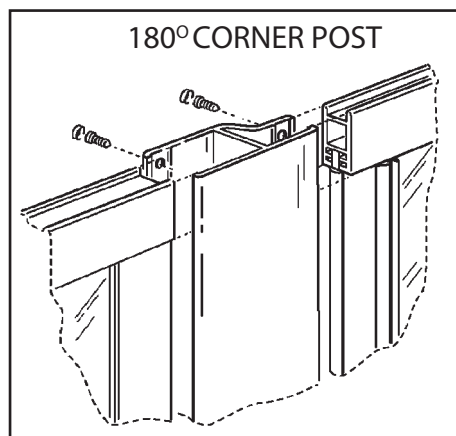
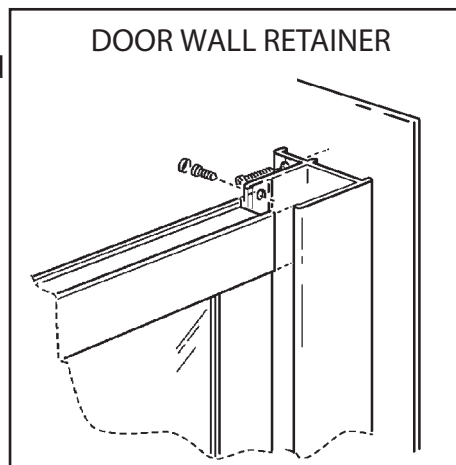
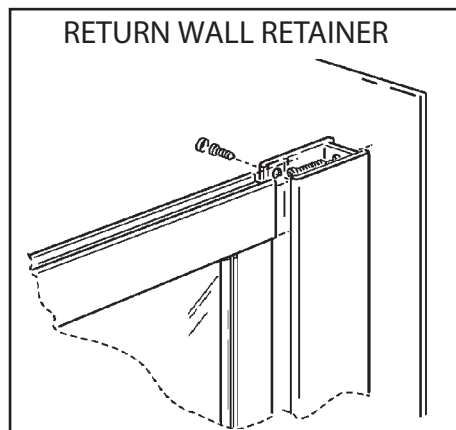
**NOTE:** This is an important part of the installation procedure and your careful attention at this stage will ensure that you will obtain the best possible results.

**IMPORTANT**  
TEST THE OPENING AND CLOSING OPERATION OF THE PIVOT DOOR

If door alignment is incorrect, door will not function properly and further adjustments are necessary. Remove tape and re-align until correct alignment is achieved.

**DO NOT PROCEED TO STEP 21 UNTIL DOOR IS OPERATING CORRECTLY.**

**21** Drill holes (with 2.5mm drill bit, DO NOT USE BIGGER DRILL BIT) through punched holes at top and bottom of each Wall Retainer and 180° Post to secure door and Infill Panel. Make sure Door and Infill Panel do not move during this operation.

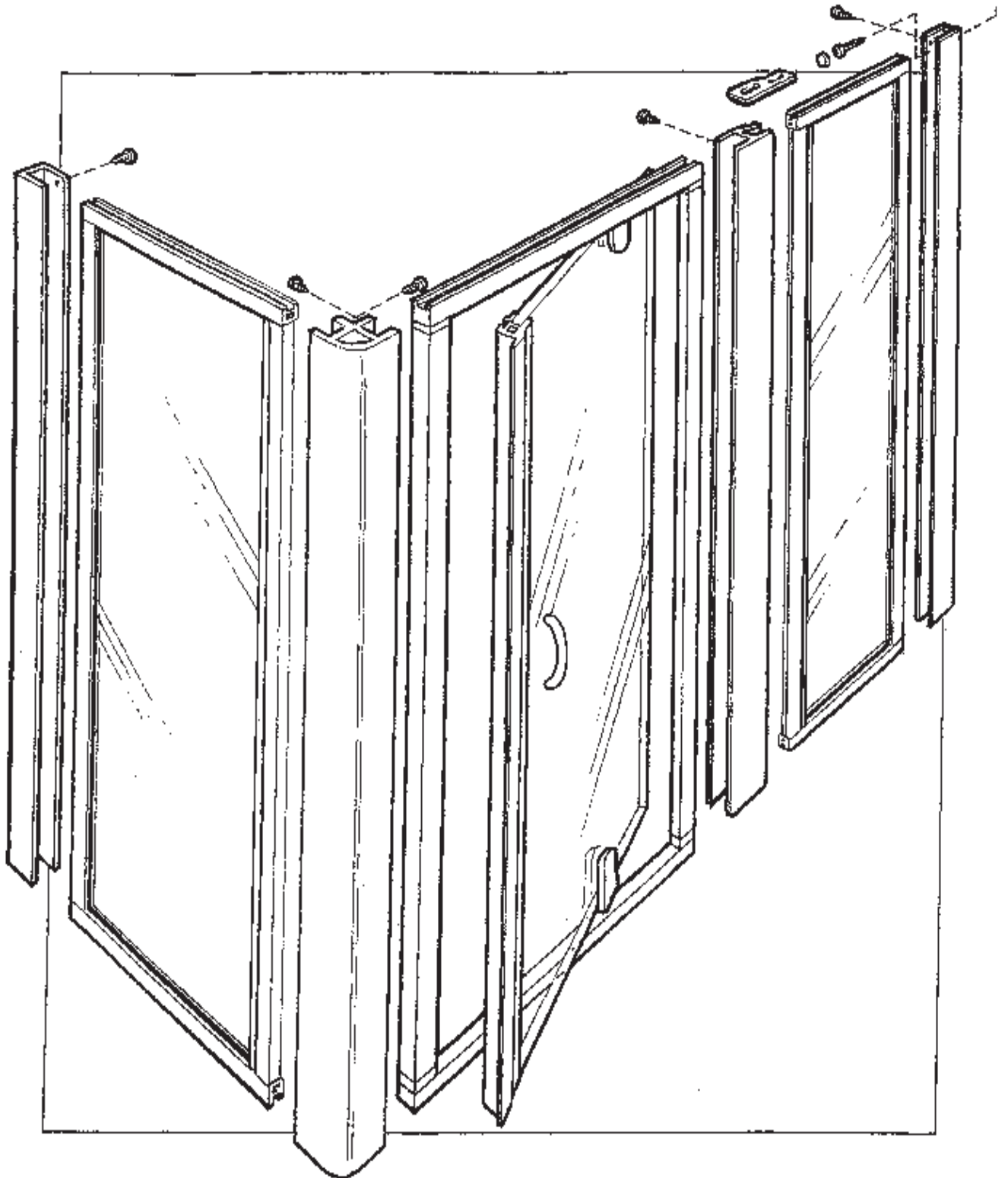


**22** Position Infill Panel PVC gasket by pushing outside leg into both Wall Retainer & Corner Post. It should 'snap' into place. Now push the inside leg into place.

**23** SILICONE APPLICATION Refer to back page of fitting instructions for sealant application instructions.

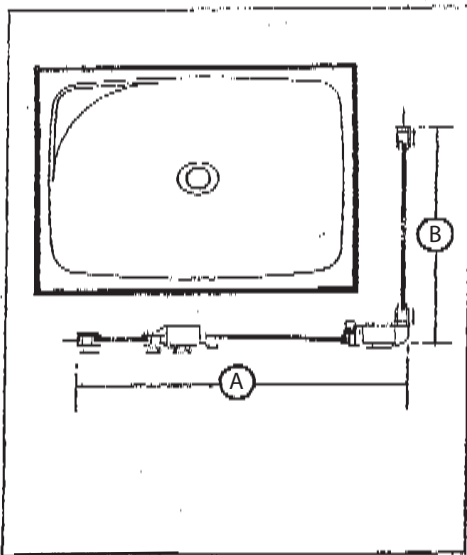
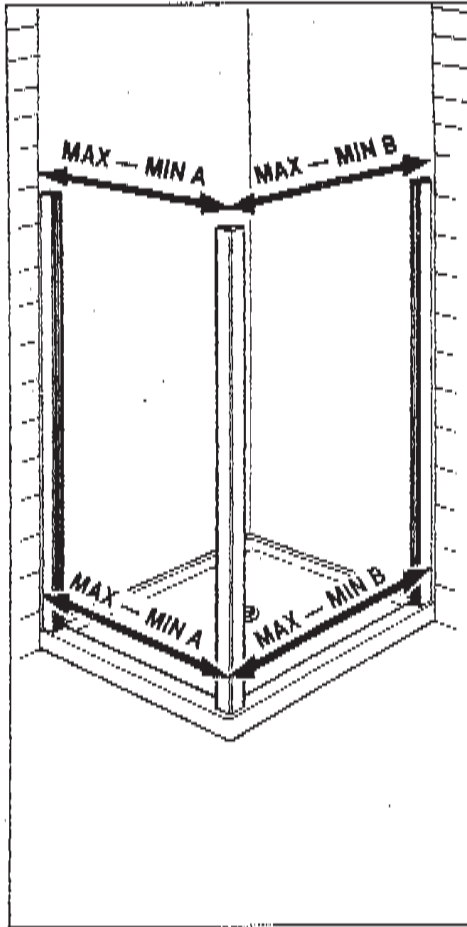
# Fitting Instructions

## DOOR ASSEMBLY AND RETURN



**NOTE: SHOWER TRAY MUST BE INSTALLED  
AS DETAILED ON SHOWER TRAY CARTON**

**1** Check the distance between the walls to ensure that the Door and Return are within the maximum and minimum enclosure tolerances.



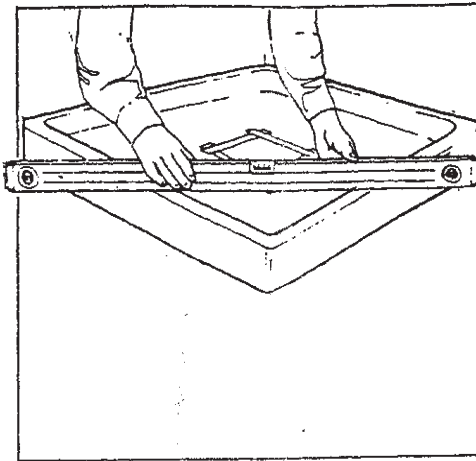
| TYPE | A DOOR ADJUSTMENT (mm) |         |
|------|------------------------|---------|
|      | MINIMUM                | MAXIMUM |
| 1200 | 1138                   | 1198    |

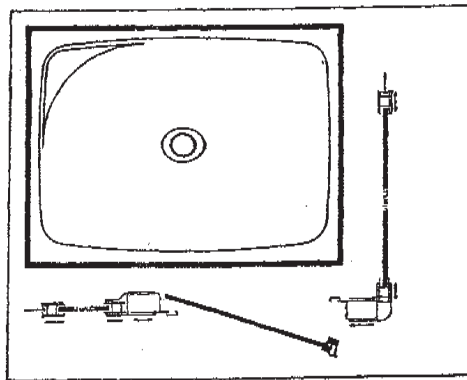
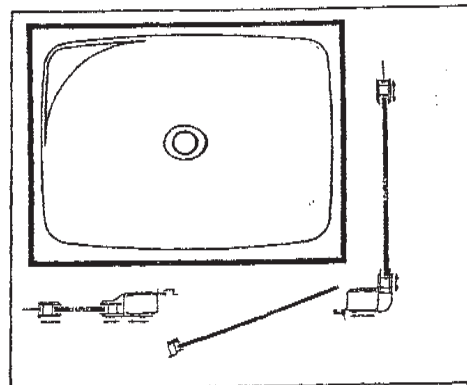
| TYPE | B RETURN ADJUSTMENT (mm) |         |
|------|--------------------------|---------|
|      | MINIMUM                  | MAXIMUM |
| 900  | 860                      | 881     |

**2** It is recommended that the waste outlet be 'taped over' to avoid the loss of any components during installation.

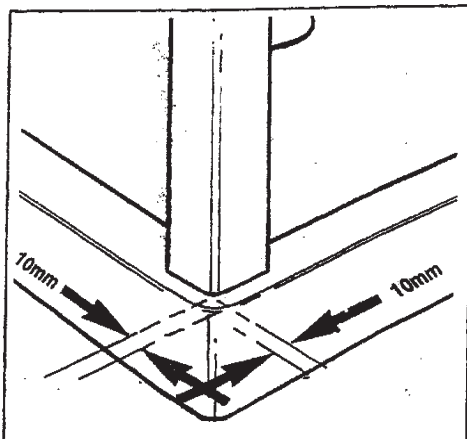
**3** Shower base MUST be installed level.



**4** Select preferred shower door opening and Return position.

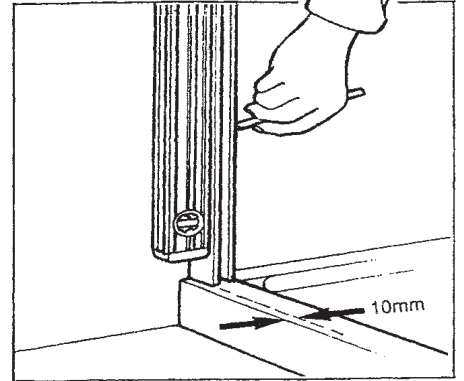


**5** Mark corner of shower base 10mm in from front edges.



**6** Position Wall Retainer Profiles against shower walls, resting on the shower base sill with fixing holes towards the inside of shower. Profile should be located 10mm from the front of shower base. Check vertical with spirit level and mark fixing holes.

**ENSURE WALL RETAINER PROFILES ARE PLUMB.**

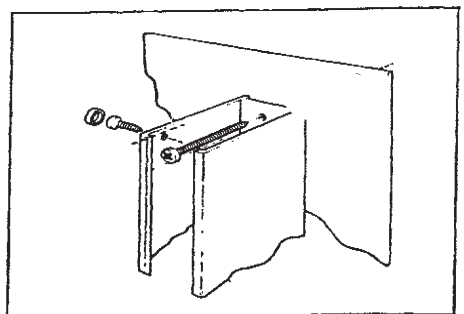
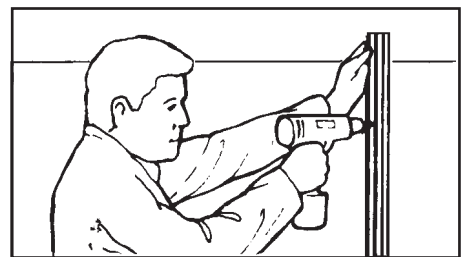


**7** Fix both wall retainers in place using the 6 long screws. Make sure the screws go into studs.

**Note:** If Screwing into backing board only, use appropriate wall anchors in the wall.

**CAUTION:** We recommend fixing the wall retainers by screwing through the backing board and into studs. Other methods may cause warping and might void warranty.

**CAUTION:** BEFORE DRILLING HOLES, ENSURE THERE ARE NO ELECTRICAL CABLES OR WATER PIPES BEHIND WALLS



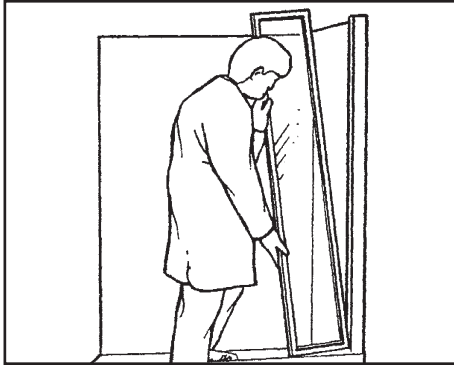


**8** Insert 300mm infill panel into wall retainer so that the black mark aligns with the edge of wall retainer. **NB:** The markings on the top & bottom rails should be on the outside of the enclosure & the flexible side of the PVC gasket on the inside.

DO NOT push the PVC gasket into position at this stage.

## IMPORTANT

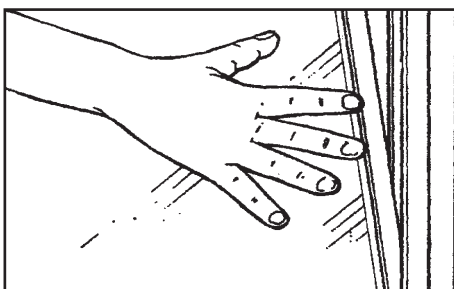
WHERE USED, RAISED MODESTY LINE PATTERN MUST FACE OUTSIDE OF SHOWER



**9** Fit 180° Post to Infill Panel and push into position. **NB:** Punched holes face inside the shower.

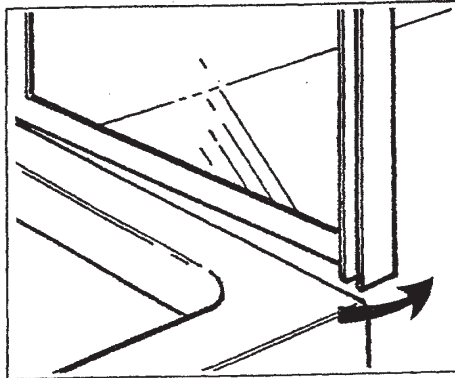


**10** Insert 900mm infill panel into wall retainer so that the black mark aligns with the edge of the wall retainer. **NB:** The markings on the top & bottom rails should be on the outside of the enclosure & the flexible side of the PVC gasket on the inside.

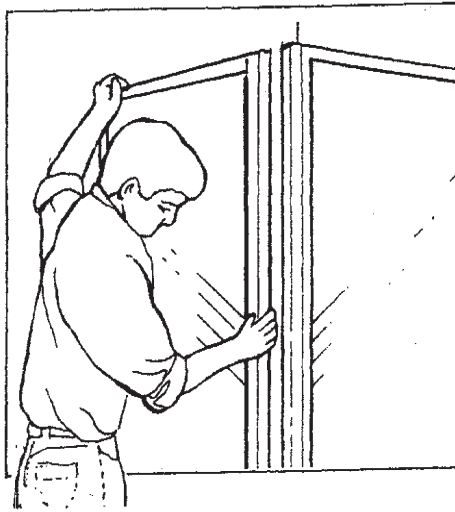


**11** Fit 90° Corner Post to Return Panel.

**12** Move 90° Corner Post and Return Panel Assembly out to allow Door Assembly to be fitted.



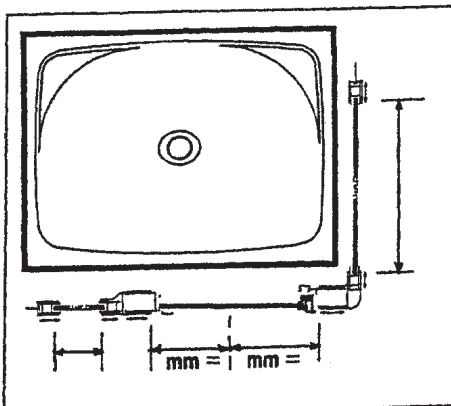
**13** Place Door Assembly into 180° Post.



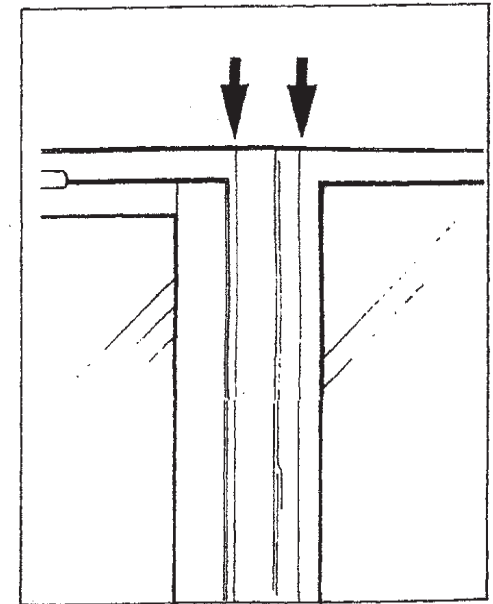
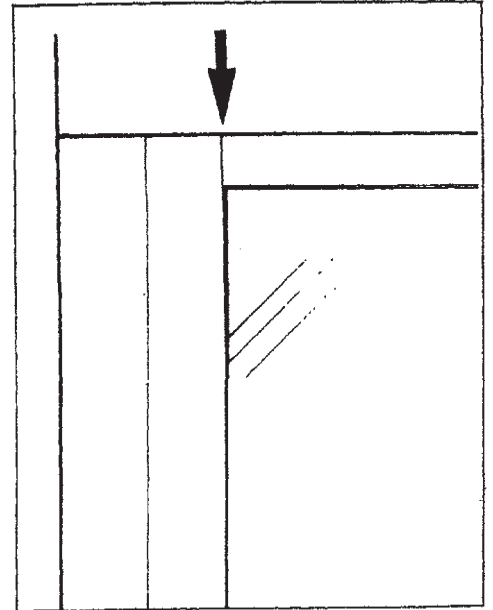
**14** Push 90° Corner Post back into place over lines marked on tray in step 5.

**15a** Centralise Door Assembly between 90° Corner Post and 180° Post.

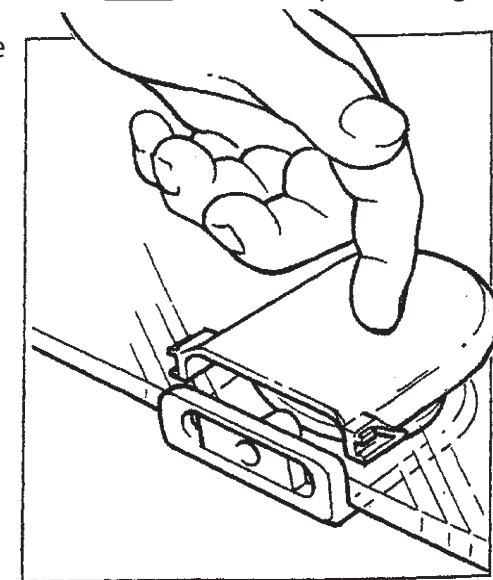
**b** Position Infill Panel and Return Panel Assembly between Wall Retainer and Corner Post so that the black lines are not visible. **DO NOT PUSH THE PVC GASKET INTO POSITION AT THIS STAGE.**



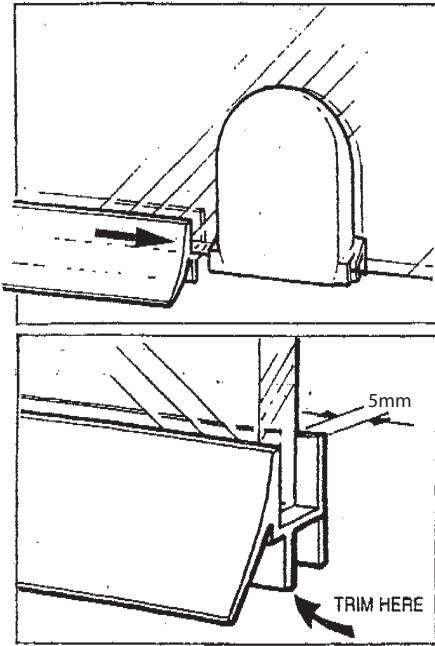
**16** Check that the Door, Infill and Return Panel Assemblies are level with top of Wall Retainers, 180° and 90° Posts.



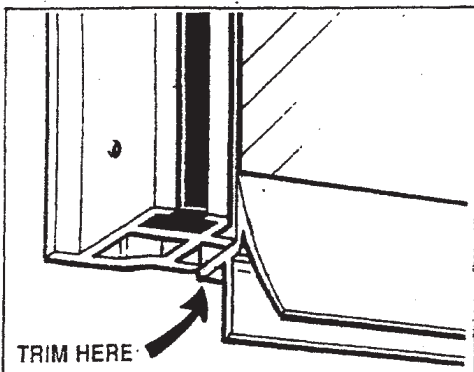
**17** Fit top and bottom hinge caps. (Note: bottom cap has 'wings').



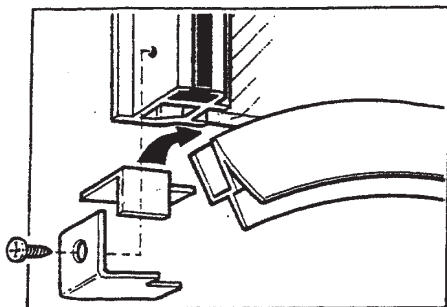
**18** Slide drip edge seal over wing on bottom hinge cover and trim off at edge of glass. Repeat between hinge cover and extrusion fixed to door glass.



Ensure that the end of this seal just clears the Door Jamb as the door closes to create the best seal.



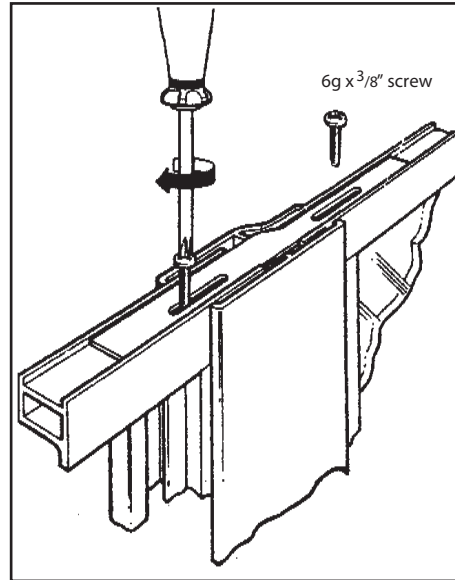
**19** Prise drip edge seal off glass beside door edge extrusion enough to slip drip seal moulding underneath. (Note: drip seal moulding and retainer bracket are 'handed'.) Push drip seal firmly back onto glass and pull into contact with door edge extrusion. Clamp in place using the bracket and No. 6 screw.



**20** Fit the other small screw to the top hole in the door edge extrusion.

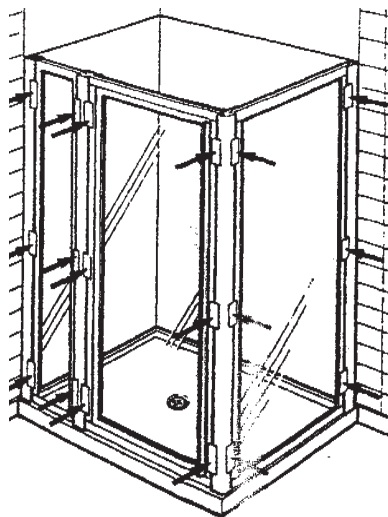
**21** Fit handles following instructions supplied with the handle.

**22** Remove screw from Door Frame at top of 180° Post and refit with bracket as shown. Fit small screw into top of Infill Panel.



**23** Using spirit level plumb Door, 180° Post and Infill & Return Panel.

Tape into position as shown. Check Door opens & shuts properly and the black lines on the Infill & Return Panel top & bottom rails remain hidden. Readjust if necessary.



NOTE: This is an important part of the installation procedure and your careful attention at this stage will ensure that you will obtain the best possible results.

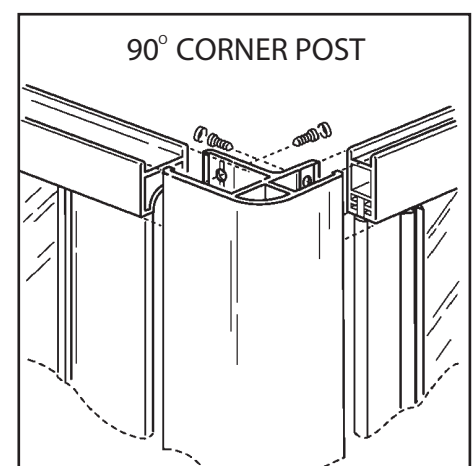
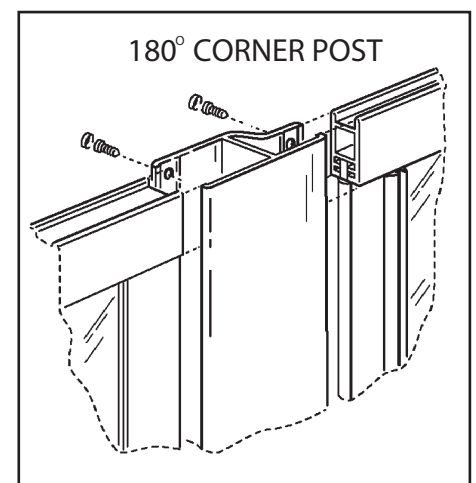
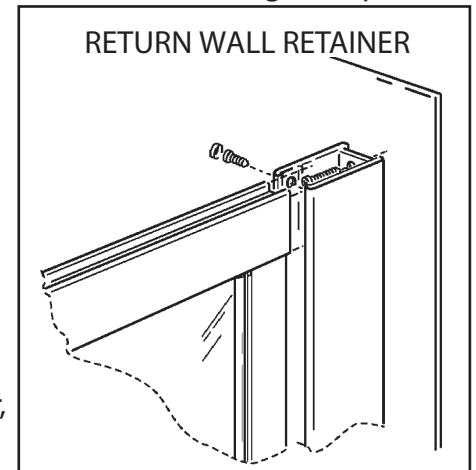
**IMPORTANT**  
TEST THE OPENING AND CLOSING  
OPERATION OF THE PIVOT DOOR

If door alignment is incorrect, door will not function properly and further adjustments are necessary.

Remove tape and re-align until correct alignment is achieved.

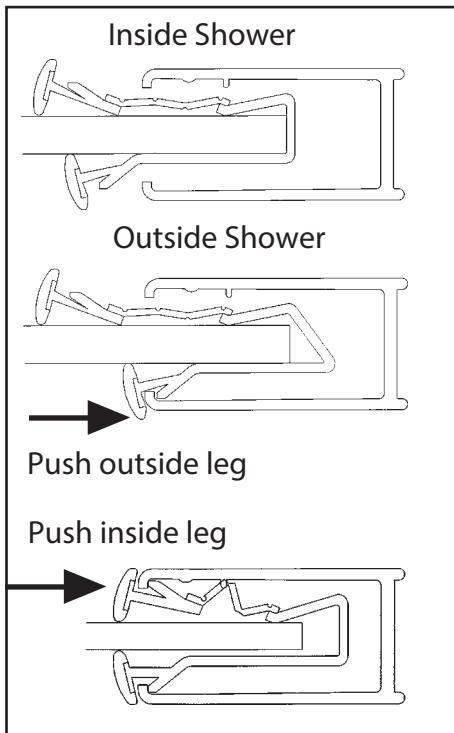
**DO NOT PROCEED TO STEP 24 UNTIL DOOR IS OPERATING CORRECTLY.**

**24** Drill holes (with 2.5mm drill bit, DO NOT USE BIGGER DRILL BIT) through punched holes at top and bottom of each Wall Retainer and 90° & 180° Post to secure door, Infill and Return. Make sure Door, Infill and Return Panel do not move during this operation.

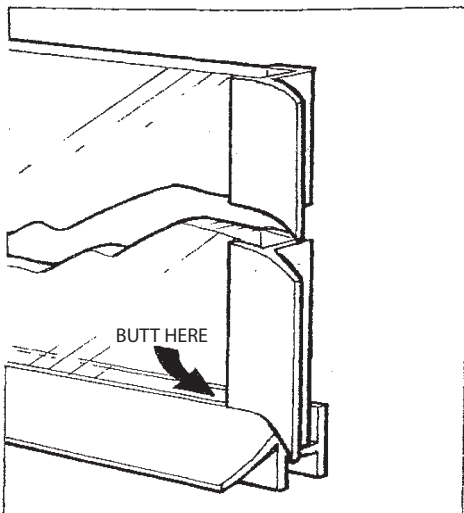


**25** Fit screw, screw caps and remove tape.

**26** Position Infill & Return Panel PVC gasket by pushing outside leg into both Wall Retainer & Corner Post. It should 'snap' into place. Now push the inside leg into place.



**27** Fit long seal to hinge edge of glass. Flap faces into enclosure. Push down to butt against bottom seal. Trim to top of glass.



## SEALANT APPLICATION

Ensure all joints are clean and dry before applying sealant.

### IMPORTANT

SIKASIL NG SEALANT SHOULD BE APPLIED TO ALL OUTSIDE JOINTS. DO NOT SEAL FROM INSIDE.

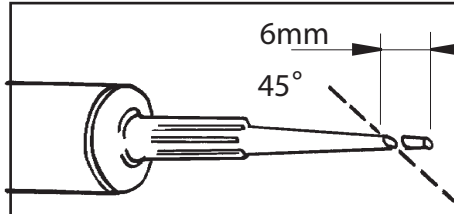
## 1. SEALANT APPLICATION STEPS

For sealant application, follow steps (a) to (e) detailed below.

## IMPORTANT

For white finish shower, white silicone is required.  
For metallic finish shower, clear silicone is required.

(a) Cut tip of silicone tube nozzle at 45° angle.



(b) Hold the tube at 45° angle and push forward as sealant fills the joint.

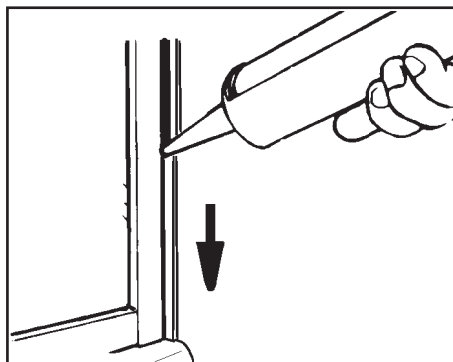
(c) The surface of the sealant can be smoothed (before surface dries) by using a gloved finger dipped in a small quantity of water with one drop of washing liquid added.

(d) Excess sealant should be removed immediately with a damp cloth.

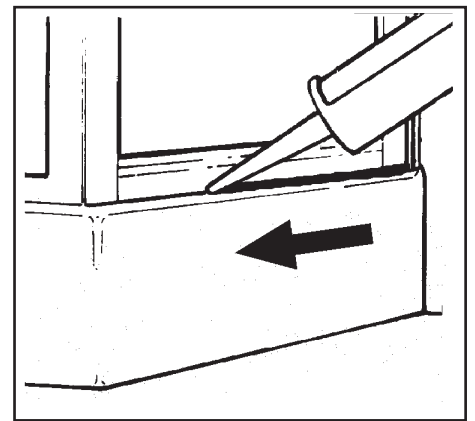
(e) Allow the silicone 24 hours to cure before using the enclosure.

**CAUTION:** Avoid contact with skin, eyes and mouth and avoid breathing vapour. If in eyes, immediately flush with water. If irritation persists, seek medical attention.  
Keep out of reach of children.

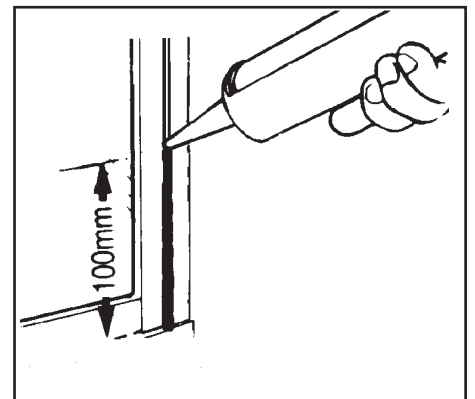
**2a.** Seal full height of the joint between the Walls and the Wall Retainers.



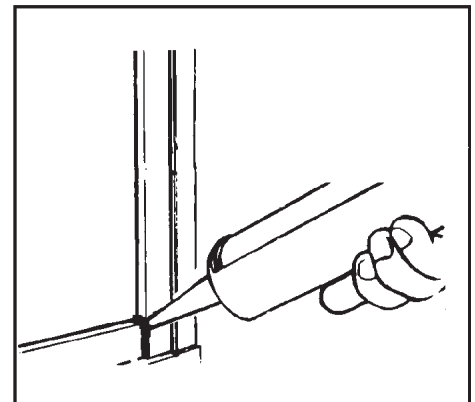
**b.** Seal joint between the Door Sill, Infill & Return Panel and the Shower Tray.



**c.** To a height of 100mm, seal joints between Door Frame & Corner Post and Door Frame & 180° Post.



**d.** Seal up to the PVC gasket joints between Return Panel/ Infill Panel & Corner Posts and Return/Infill Panel & Wall Retainers.



### IMPORTANT

ALLOW 24 HOURS FOR SEALANT AND ADHESIVE TO CURE BEFORE USING THE SHOWER.

**e.** On metallic finish shower, seal joint between Corner Post and Magnetic Door Jamb.