

# INSTALLATION INSTRUCTIONS



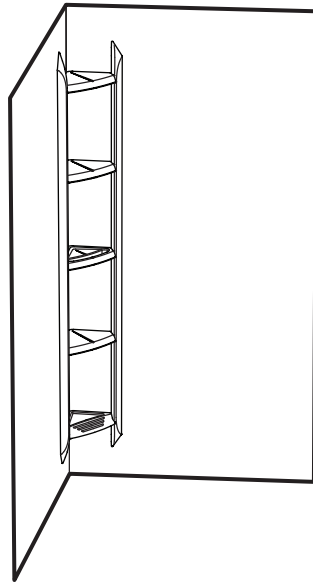
## DURACRYL® WALL

- Flat Shower Wall
- Side Recessed Shower Wall

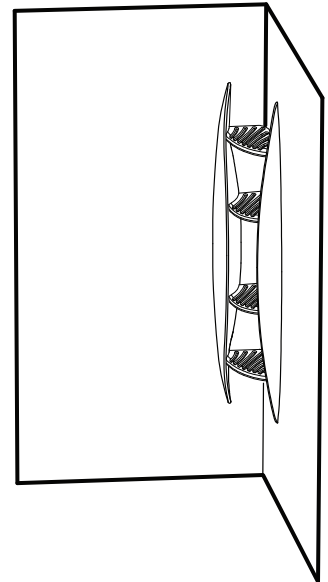
- Corner Contour & PLUS Shower Walls

- Corner Contour PLUS & Flat Bath Walls

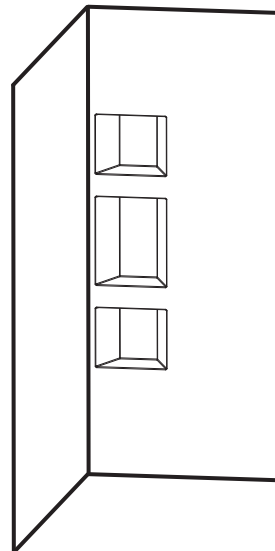
### CORNER CONTOUR PLUS



### CORNER CONTOUR



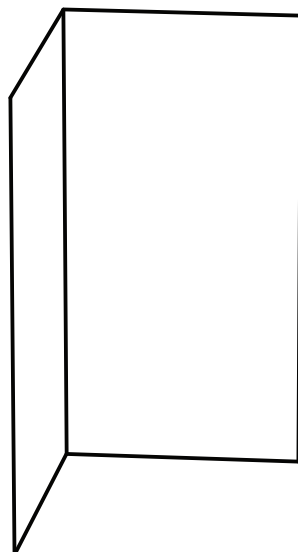
### SIDE RECESSED WALL



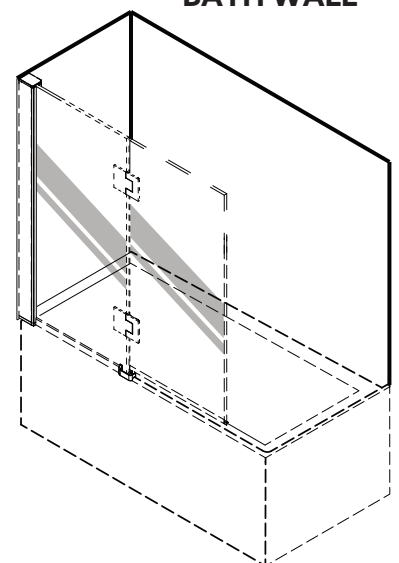
Englefield has a history of making superb showers and their popularity is testament to their quality and affordability.

It's the details that Englefield cares about - from pioneering the latest technology, to innovative design, it's all to make your showering experience the very best it can be.

### FLAT WALL



### BATH WALL



Note: Bath and bath screen not included.

**BEFORE YOU BEGIN:**



**IMPORTANT**

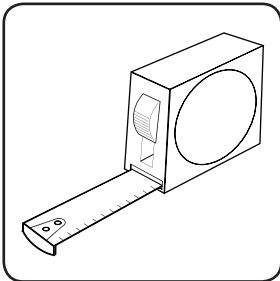
Read all instructions carefully before starting the installation to ensure the best possible results. It is the responsibility of the installer to ensure that the installation complies with council and local authority by laws.

**Before installing the liner, ensure the moulded feature is not obstructed.**

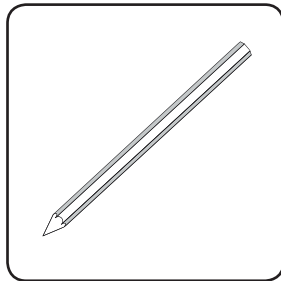
- Corner Contour (and Plus) walls - there should be no plumbing fittings within 300 mm of the corner.
- Side Recessed Walls - there should be no interference within 400 mm of the corner on the side that the moulded shelving egresses into the framing cavity.

Instructions, drawings, and diagrams contained in this manual present information available at the time of printing. Although every attempt has been made to keep them up-to-date, Kohler Company reserves the right to implement product changes without further notice.

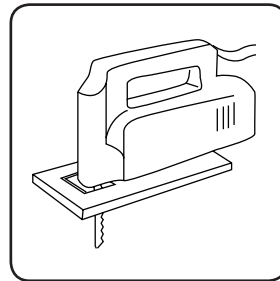
**TOOLS AND MATERIALS REQUIRED:**



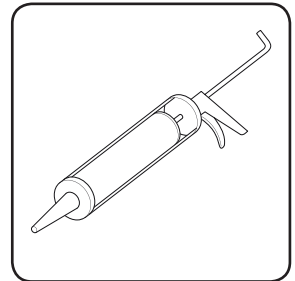
**Tape measure**



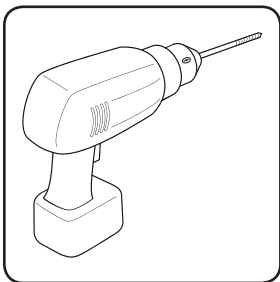
**Soft pencil**



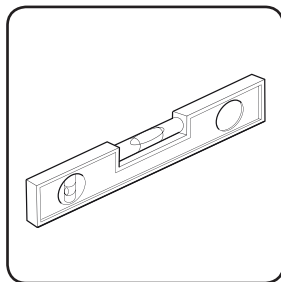
**Jigsaw (fine blade)**



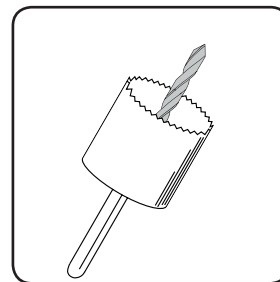
**Caulking gun**



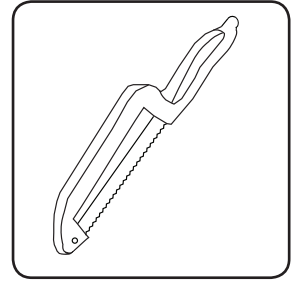
**Drill**



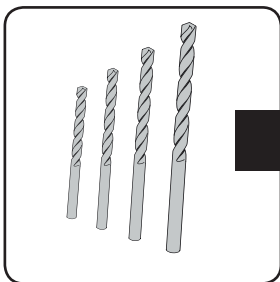
**Spirit level**



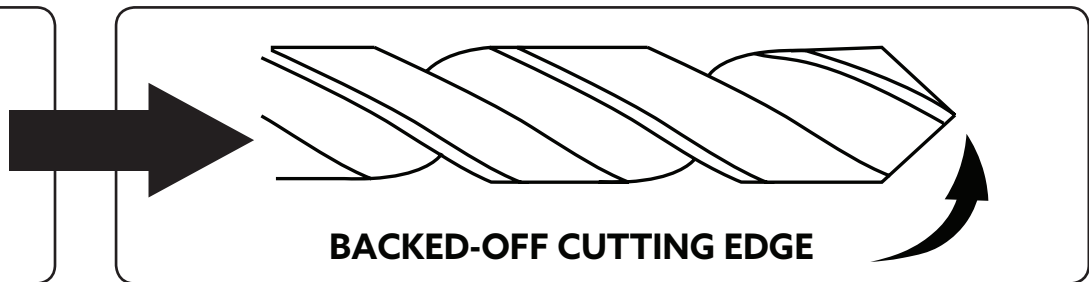
**Hole saw**



**Fine toothed saw**



**Drill bits**



**BACKED-OFF CUTTING EDGE**



**IMPORTANT**

Use only recommended sealants and adhesives, suitable on acrylic and acrylic capped ABS; unsuitable products may damage the Duracryl wall.

# DRILLING AND CUTTING DURACRYL

Small holes can be drilled with a twist drill, but the cutting edge **MUST** be backed off with an oil stone (the sharp edge dulled). Large holes must be drilled with a hole saw.  
 Maximum drill size : 12 mm. Drill speeds: 6 mm x 1800 RPM ; 12 mm x 900 RPM.

If for any reason the Duracryl requires cutting, use a fine tooth hacksaw and proceed with caution.  
 Edges can be smoothed with a second-cut file and medium-fine sandpaper. If the surface of the Duracryl happens to be damaged, it can be restored by polishing with an appropriate compound.

# SEALANT & ADHESIVE

The recommended adhesive & sealants are:

- **Sika Shower Bond** to adhere the acrylic liner to the wallboard.

Usage:

- 3 cartridges for 2 sided wall liners.
- 4 cartridges for 3 sided wall liners.

- **Sika Sikasil NG (White)** to seal the acrylic liner to the shower tray or bath.

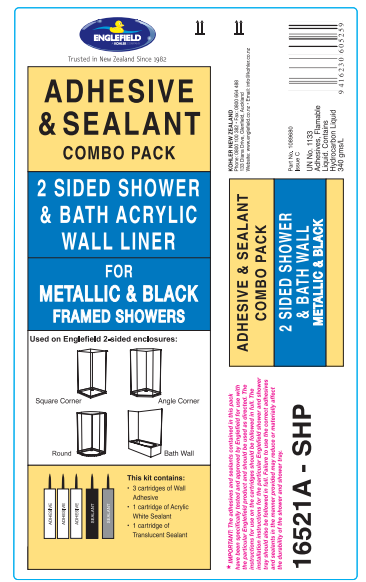
These are available in separate Adhesive & Sealant Packs. Phone 0800 100 382 (NZ) or 1800 ENGLEFIELD (Australia) for stockists.

Each Pack contains enough adhesive/sealant for a complete shower enclosure or shower over bath installation.

**IMPORTANT: Check the expiry date of the glue and sealant before proceeding with installation**

**The contents of these packs MUST NOT be used to glue down shower tray or bath feet.**

- **16520A-0**  
Adhesive & sealant pack - **2 sided** wall liner for **white** framed showers.
- **16521A-SHP**  
Adhesive & sealant pack - **2 sided** wall liner for **metallic/black** framed showers.
- **16522A-0**  
Adhesive & sealant pack - **3 sided** wall liner for **white** framed showers.
- **16523A-SHP**  
Adhesive & sealant pack - **3 sided** wall liner for **metallic/black** framed showers.




# CONSTRUCTION REQUIREMENTS - SHOWER TIMBER FRAME

1) For showers, identify the type of installation required and construct SHOWER timber frame in accordance with **figures 1 or 2** below. Englefield recommends installing double studs to fix the wall retainers to.

A typical shower enclosure timber frame is shown in **figures 3**. For the framing of bath tubs and screens, please refer to the installation guide supplied with the product.

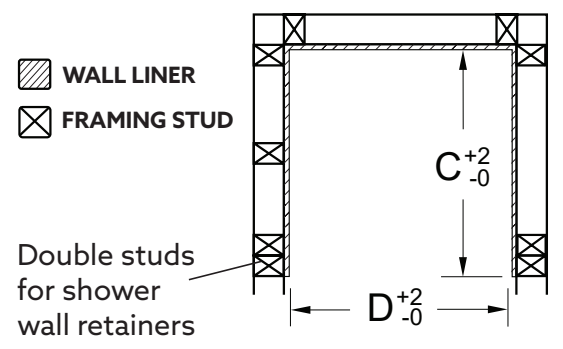
2) Fix wall board to the studs.

3) Check the fit of the wall liner (and shelves if applicable) into the wallboard as shown in **figures 4**. below.



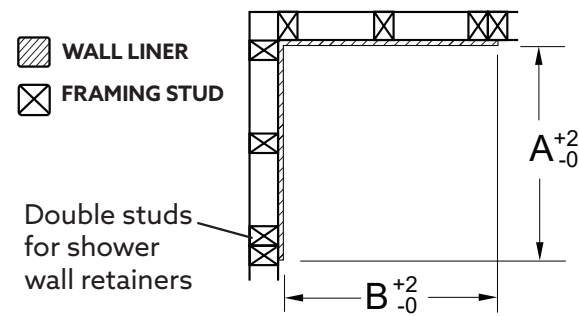
**IMPORTANT**

The wall board surface must be flat & plumb.  
The corner must be square.  
Do not plaster, paint or seal the wall board.  
Consult the tray/bath installation instructions for any additional wallboard preparation, e.g. notching.



**Fig 1 : Alcove (3 sided) Wall**

WALL LINER	C	D
900 X 750 X 900	885	747
750 X 900 X 750	739	864
900 X 900 X 900	884	864
1000 X 1000 X 1000	984	964
900 X 1200 X 900	884	1164
1000 X 1200 X 1000	984	1164



**Fig.2: Corner (2 sided) Wall**

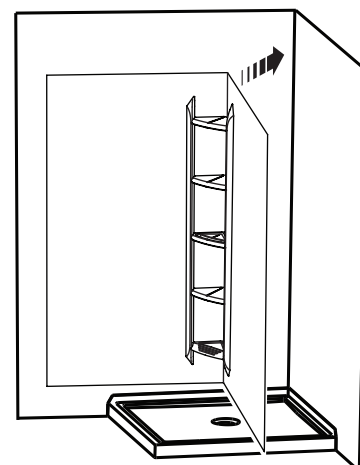
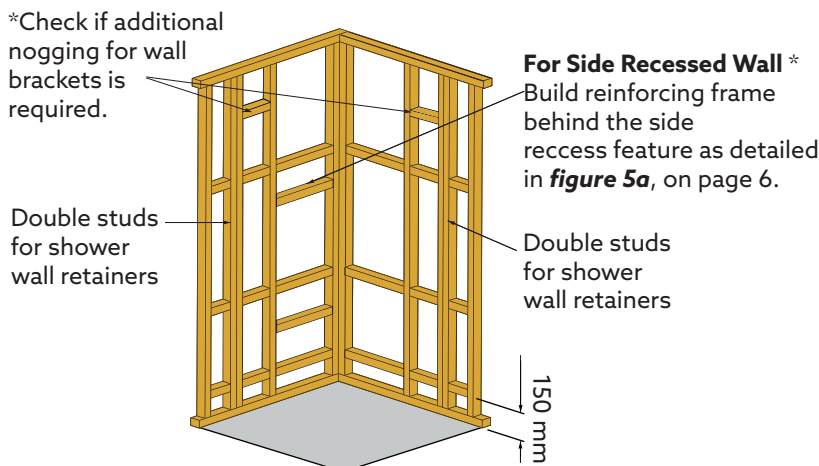
WALL LINER	A	B
900 X 750	734	884
900 X 900	884	884
1000 X 1000	984	984
1200 X 900	884	1184
1200 X 1000	984	1184

\*Note: Dimensions are to the inside or finished surface of the wallboard.

Wallboard panels can extend beyond the edges of liner.

**Fig. 3: Recommended Timber Frame for Shower Enclosure Installation**

**Fig.4: Check the fit of the wall (and shelves) prior to applying adhesive**




# CONSTRUCTION REQUIREMENTS - BATH TIMBER FRAME

1) For shower over bath, identify the type of installation required and construct BATH frame in accordance with **figures 1** below. Englefield recommends installing double studs to fix the wall retainers to. A typical shower enclosure timber frame is shown in **figures 2**. For the framing of bath tubs and screens, please refer to the installation guide supplied with the product.

2) Fix wall board to the studs.

3) Check the fit of the wall liner (and shelves if applicable) into the wall-board as shown in **figures 3**. below.



**IMPORTANT**

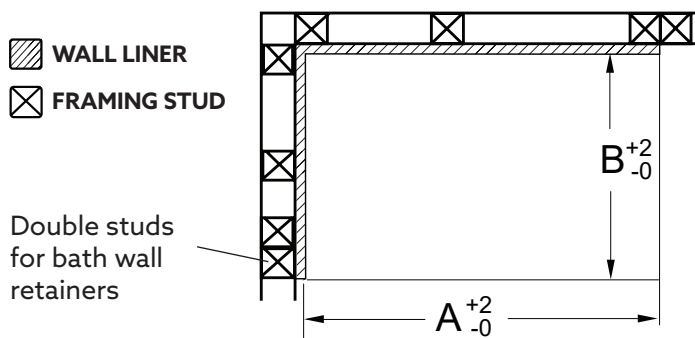
The wall board surface must be flat & plumb.  
The corner must be square.  
Do not plaster, paint or seal the wall board.  
Consult the tray/bath installation instructions for any additional wallboard preparation, e.g. notching.

**Fig.1: Corner (2 sided) Wall**

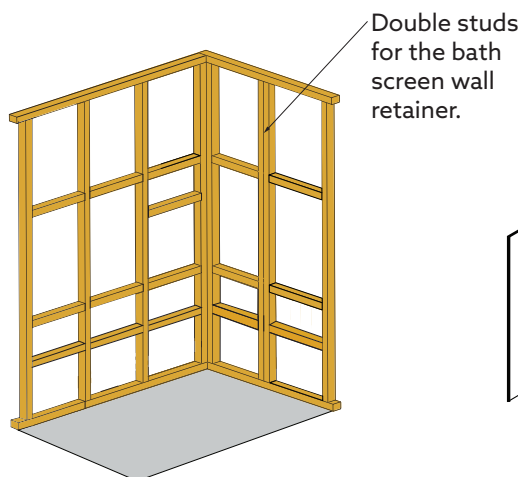
WALL LINER	A	B
1670 X 760	1658	762
1520 X 760	1505	762
1670 X 760	1658	767
1520 X 760	1505	767
1670 X 820	1663	830

\*Note: Dimensions are to the inside or finished surface of the wallboard.

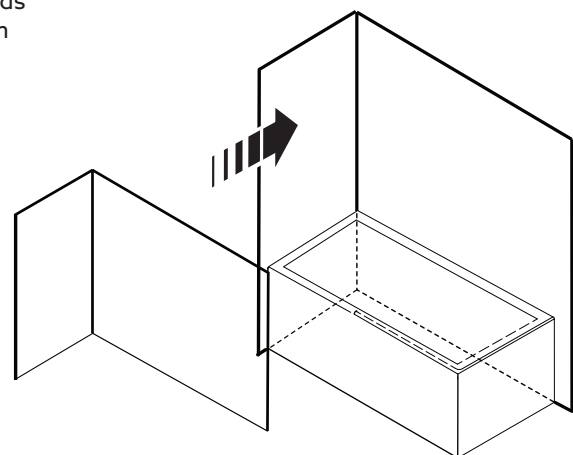
Wallboard panels can extend beyond the edges of liner.



**Fig. 2: Recommended BATH Timber Frame for Shower Enclosure Installation**



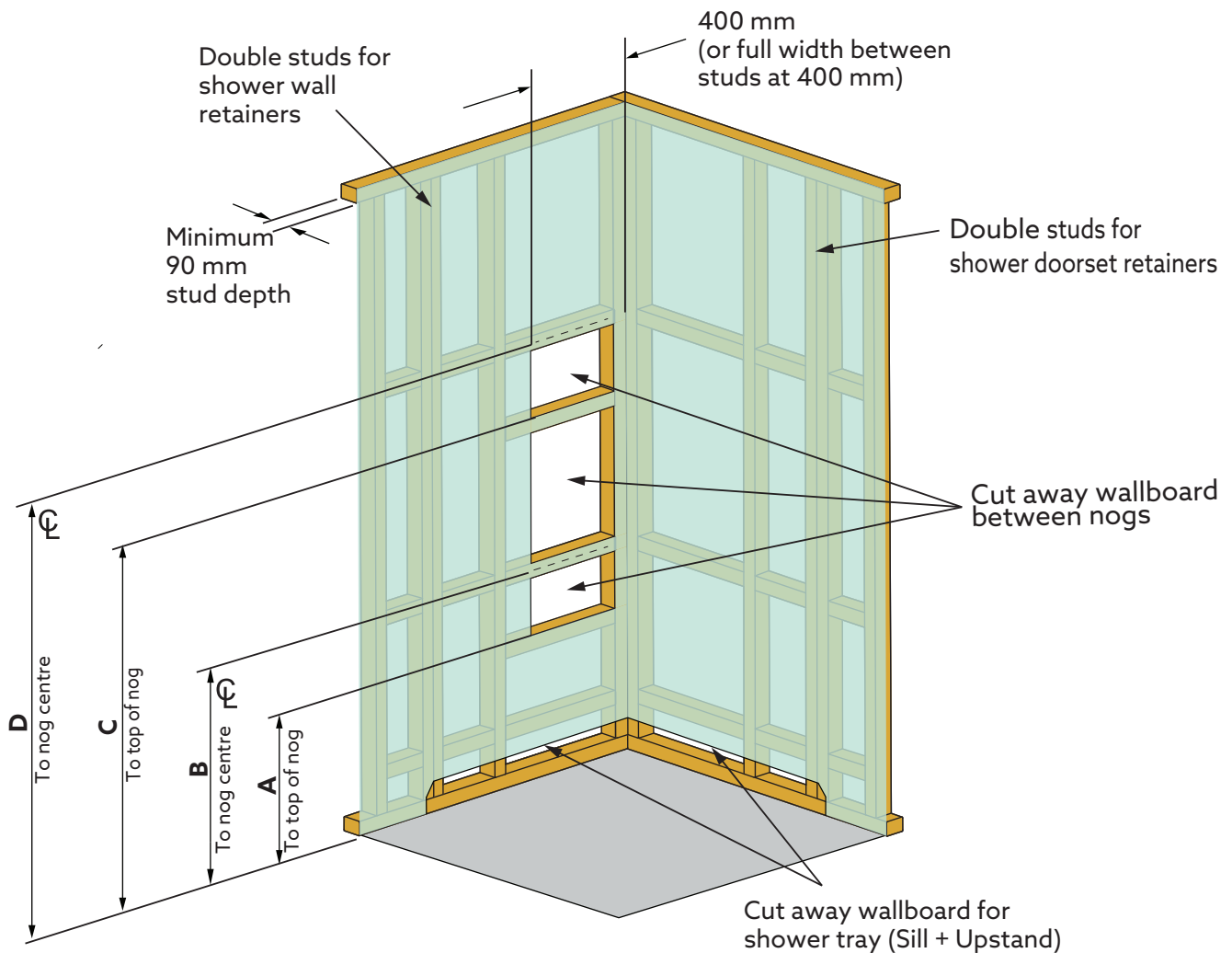
**Fig. 3: Check the fit of the wall (and shelves) prior to applying adhesive**



## CONSTRUCTION REQUIREMENTS - SIDE RECESSED (SHOWER)

- 1) For symmetrical shower enclosures (e.g. 1000 x 1000 corner or 900 x 900 x 900 alcove), the acrylic liner is reversible. Decide on which wall will have the shelving encroach the framing cavity space and ensure there is no interference or obstructions (e.g. plumbing, electrical wires, insulation).
- 2) The Side Recessed Shower Wall Liner is designed to be compatible with standard 45 x 90 mm deep framing with vertical studs at 400 mm or 600 mm centres. Ensure horizontal support nogs that reinforce the wall installation behind the Wall Recess area are built as shown in **figure 5a**. It is also recommended that an additional nog be placed approximately 150 mm up from the floor to assist with wallboard fixing.
- 3) Trial fit the wallboard and mark the cavities for cutting as shown in **figure 5a**.
- 4) Carefully cut the wallboard and fix to the stud in positions.

**Fig. 5a: Framing and Wallboard Preparation for Side Recessed Shower Wall Liners**

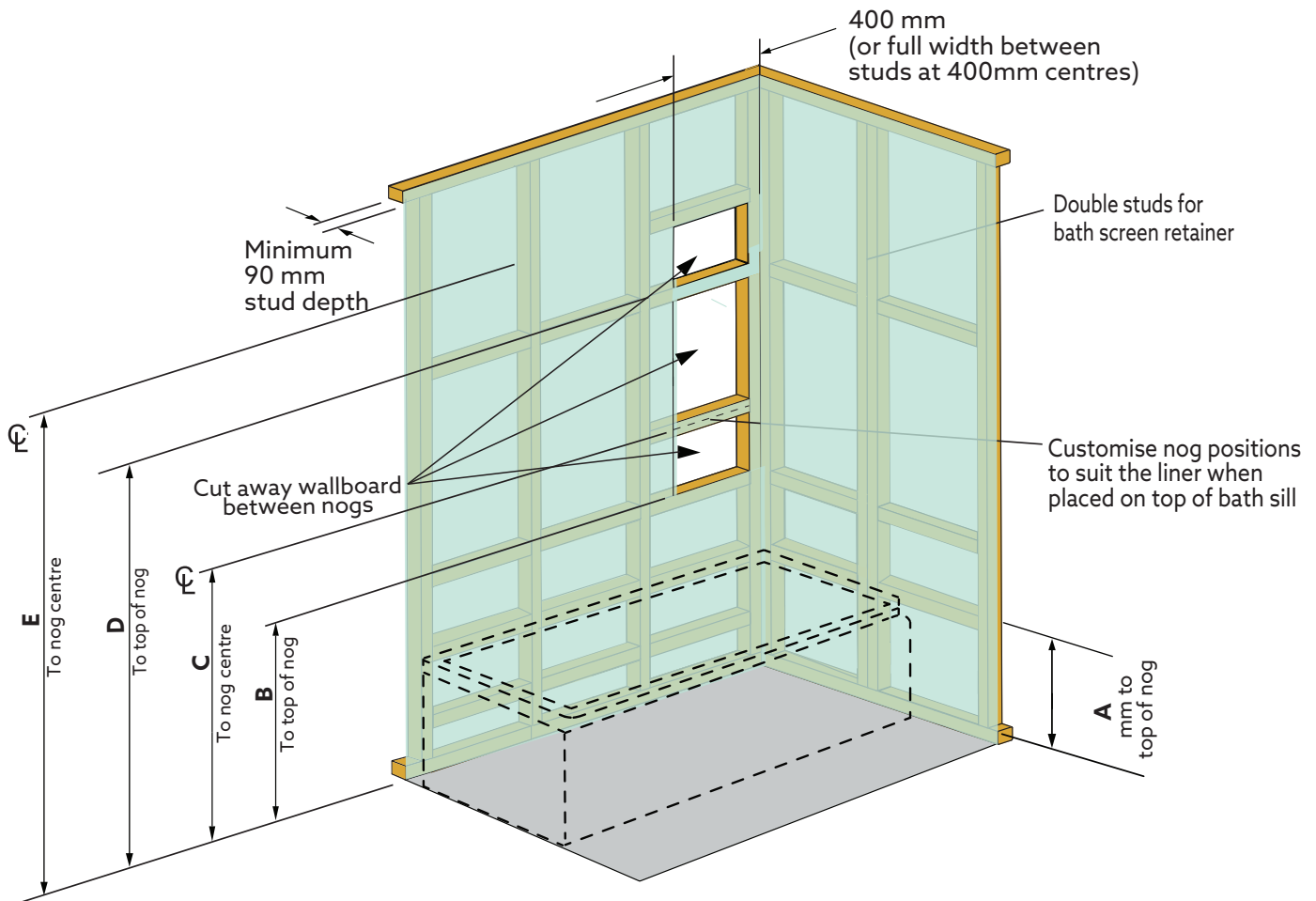


WALL HEIGHT	A	B	C	D
1935	490	800	1285	1600
2010	528	838	1323	1638

## CONSTRUCTION REQUIREMENTS - SIDE RECESSED - (BATH)

- 1) The acrylic liner is reversible for left or right hand installations. Decide on the orientation of the bath (i.e. which wall will have the shelving encroach the framing cavity space) and ensure there is no interference or obstructions (e.g. plumbing, electrical wires etc).
- 2) Construct timber framing as shown in **figure 5b**. The Side Recessed Bath Wall Liner is designed to be compatible with standard 45 x 90 mm deep framing with vertical studs at 400 mm or 600 mm centres. It is required that nogs are positioned to support each shelf and strengthen the wall installation. Bath heights differ so adjust nog positioning on a case by case basis. Do this by measuring the distance from bottom of the liner to the underside of each shelf and marking the wall at the corresponding height up from bath sill.
- 3) Trial fit the wallboard and mark the cavities.
- 4) Carefully cut the wallboard and fix to the studs in positions.

**Fig. 5b: Framing and Wallboard Preparation for Side Recessed Bath Wall Liners**



	BATH WALL HEIGHT : 1450mm					BATH WALL HEIGHT : 1530mm				
Bath Type	A	B	C	D	E	A	B	C	D	E
DUO II	448	650	960	1445	1760	448	690	1000	1485	1800
Evora	—	—	—	—	—	528	838	838	1323	1638



# CONSTRUCTION REQUIREMENTS - SIDE RECESSED WALL

## 1. PREPARING WALL AND SPACE

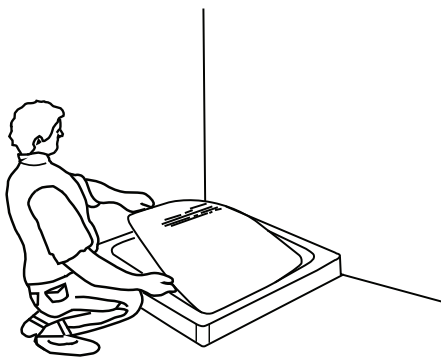
Ensure the shower tray or bath tub is installed correctly, as detailed in the installation guide supplied with the product. Peel back protective film of the tiling bead of shower tray or bath in order to make a water tight seal possible.

Ensure the surface of tray or bath tub is protected during installation, and no debris can get into the waste hole. For bath tubs use a drop cloth.

**IMPORTANT: Remove all residue & debris from the trays or bath upstands before proceeding.**

For shower trays, select appropriate size, then cut base protector from back of shower tray carton. Place it in shower tray as per **figure 6**.

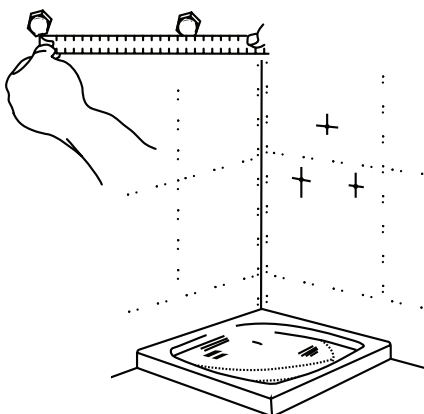
**Fig.6: Cutting base protector**



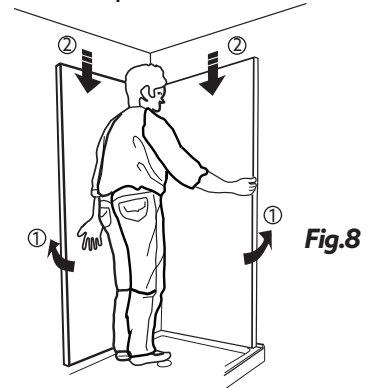
Mark and drill holes required for outlet fittings as per **figure 7**.

**NOTE:** Follow the drilling and cutting instructions from page 3.

**Fig.7: Mark and drill holes for plumbing**



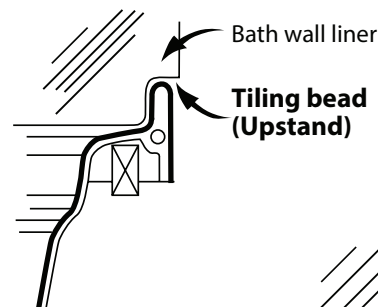
Position wall in place. Check fit to ensure wall fits squarely into corner as per **figure 8**. Tape edges to hold into position.



Where necessary bath walls notch the edge of wall, only where the upstand is figure. Refer to **figure 9A**.

Where the sill is flat (No Upstand), no notching required. Refer to **figure 9B**.

**Fig.9A: Notching of the wall (No Upstand Present).**



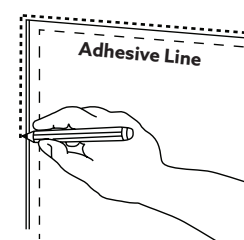
**Fig.9b: Notching of the wall (No Upstand Present)**



Before marking, make sure the wall is pressed firmly into the corner of wall.

With a soft pencil, mark around the perimeter of the wall liner. This will be the basis for marking the glue pattern as per **figure 10**.

**Fig.10: Marking liner edge onto wall board**






DURACRYL WALL INSTALLATION CONT...

MARKING ADHESIVE PATTERN

Carefully measure and mark pattern on wall board surface as shown in **figure 11**.

- This pattern applies to:
- Flat bath walls
  - The flat sections of
  - The flat sections of moulded walls

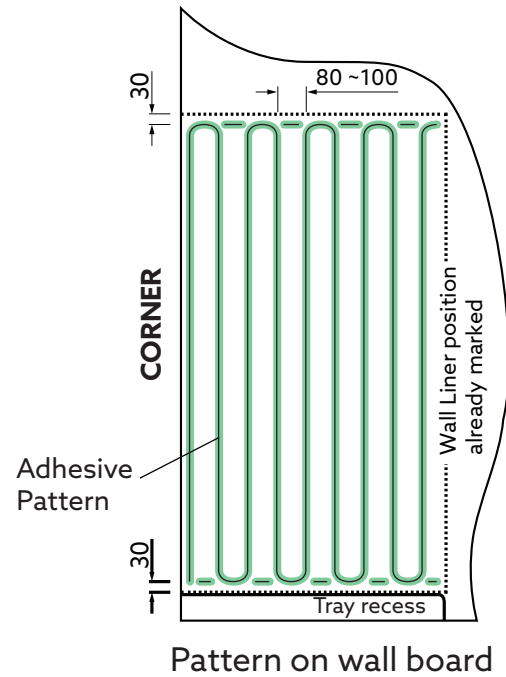


**IMPORTANT**

Mark the pattern but do not apply adhesive at this stage. When applying adhesive it is vital to leave gaps in the bead to allow solvent curing.

**NOTE:** Measurements from edges, top and base. All dimensions below are in millimeters.

**Fig.11: Adhesive pattern for Flat Walls**

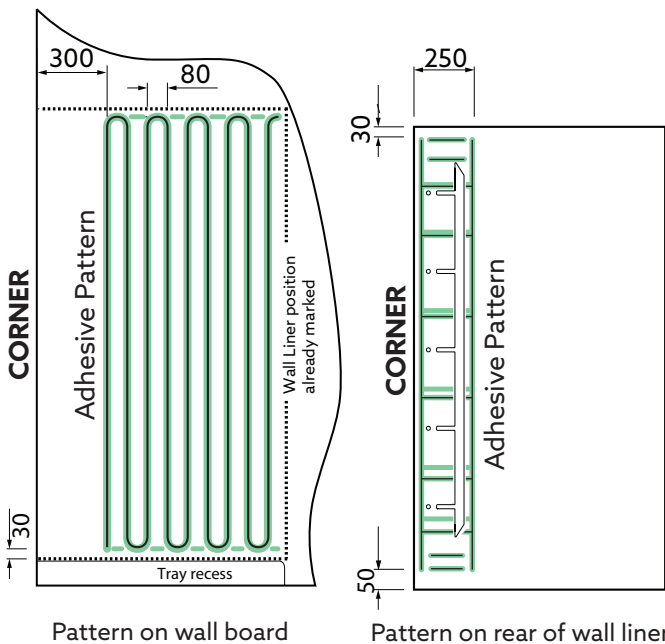


For moulded shower walls, the pattern must be marked on both wall board and rear of Duracryl liner. Refer to figures below for both patterns:

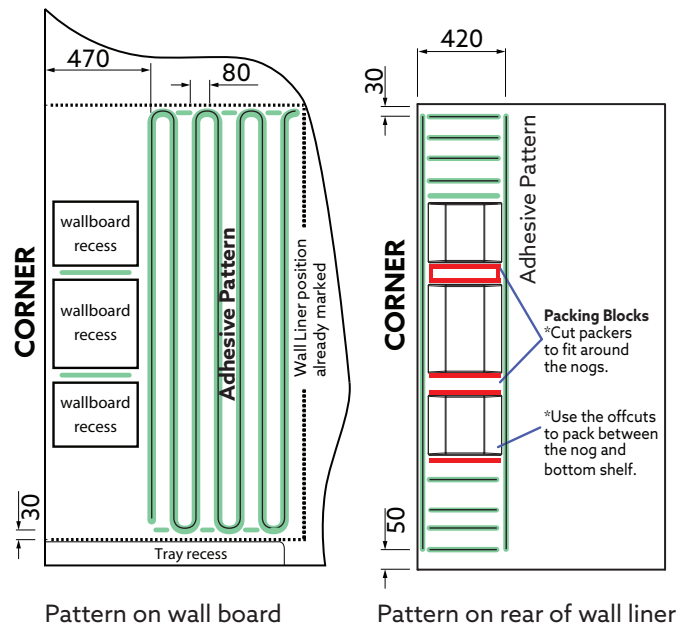
- Corner Contour & Corner Contour Plus Wall - **Figure 12**.
- Side Recessed Wall - **Figure 13**.

At this stage it is essential that the back side of the Duracryl wall and the surface of the wall board are wiped clean with a damp cloth. This will ensure that all dust is removed from both surfaces and provide a clean surface for the adhesive. Allow both surfaces to dry before adhesive application.

**Fig.12: Adhesive pattern for Corner Contour and Corner Contour PLUS Walls**



**Fig.13: Adhesive pattern for Side Recessed Walls**

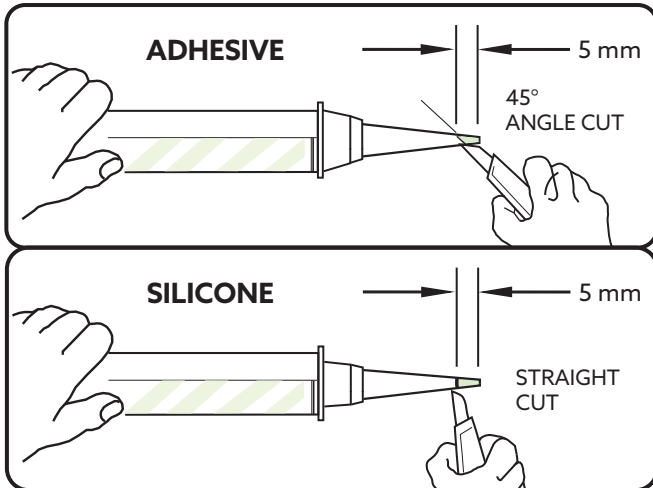


# DURACRYL WALL INSTALLATION CONT...

## APPLYING THE ADHESIVE

Prepare sealant and adhesive cartridges. Cut nozzle on sealant and adhesive cartridges as shown in **figure 14** below. Pierce protective foil inside adhesive cartridge.

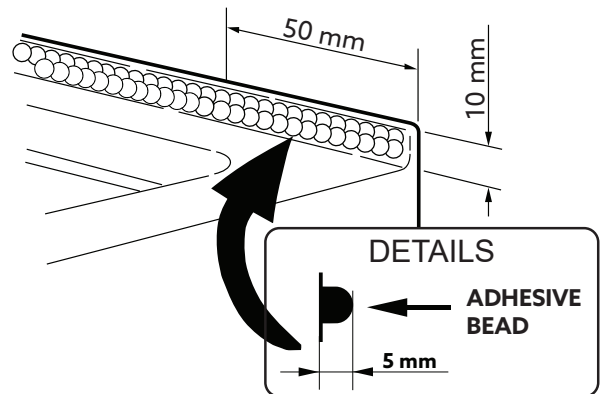
**Fig.14: Cutting cartridges**



Apply sealant to shower tray or bath first as shown in **figure 15** below.

Apply a bead of sealant for 50 mm from both front corners at base of upstand as shown. Apply a second full length bead at top of upstand.

**Fig.15: Apply beading to upstand**



Apply adhesive to wall board.

**Do not use on previously painted, sealed, ceramic or plastered walls.**

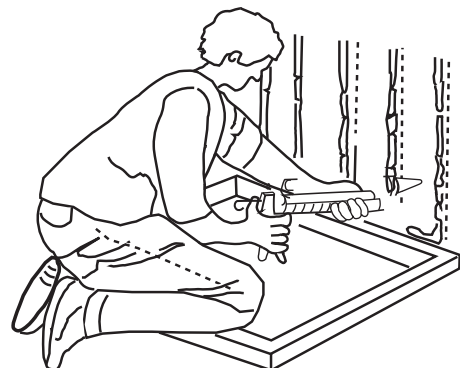
Use only on the following substrates:


- Villaboard.
- Fibre cement.
- Plaster Board.


Follow the pattern marked. Start at top working your way down. Apply vertical pattern first then fill in horizontal lines.

For shower walls with moulded features remember to apply the adhesive on the acrylic wall as shown on previous page.

**(figures 12 & 13).**



**IMPORTANT**  Do not apply adhesive below 5°C. temperatures below this point will require the adhesive to be warmed up to assist with adhesive flow and application. Use only in ventilated areas.

**IMPORTANT**  Ensure the protective film has been peeled back from tiling bead of tray or bath & all residue is removed from the upstand before applying silicone sealant. Leave the rest of the tray or bath covered by the film to protect it during installation.

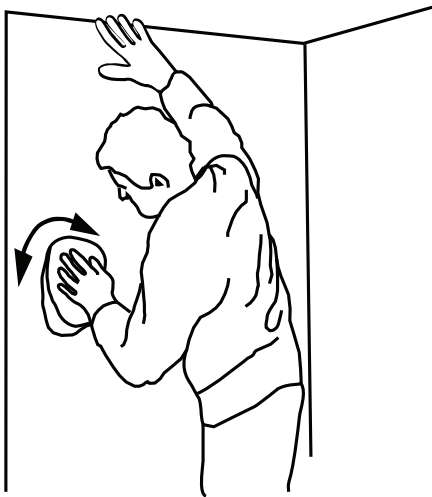
## DURACRYL WALL INSTALLATION CONT...

To install the wall follow the approved adhesive manufacturer instructions.

As a general rule, place wall into position (check shelves fit correctly for moulded corner models).

Press firmly back into the corner to ensure that the wall makes full contact with the corner along its entire length.

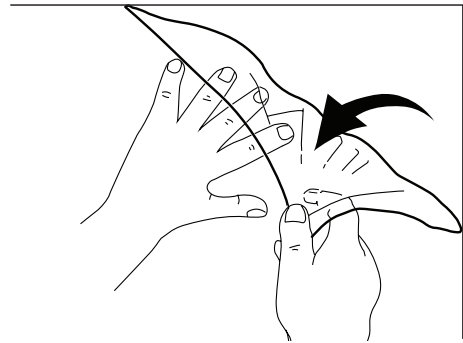
Press into corners first, then press toward edges. Use a soft clean cloth to press firmly and remove any rippling along glue lines. Check and re-press if necessary.



For corner mouldings, re-install the shelves while the adhesive is setting.

**Allow the adhesive to cure before installing the shower or bath, sealing any edges, or using the enclosure.**

Remove the plastic film from liner before using the shower.



## CLEANING INSTRUCTIONS:

Use non-abrasive soap and warm water.

## Avoid:

- Harsh chemicals and disinfectants.
- Abrasive cleaners.
- Solvent based cleaners.
- Acid or alkaline cleaners.
- Products containing ammonia or peroxides.

Wipe out the unit after each use to prevent build-up of soap and scum.

Always read the label instructions on any cleaner carefully before applying it to the surface.



IMPORTANT

**Read the Care & Maintenance label on the wall and leave it in place for the end user.**

## CONTACT AND WARRANTY INFORMATION

## NEW ZEALAND

Kohler New Zealand Limited

0800 100 382

info@englefield.co.nz

englefield.co.nz

## AUSTRALIA

englefield.com

**Englefield** 

A KOHLER Company