

INSTALLATION INSTRUCTIONS



TAPWARE | MILANO II™ MASTERFLOW® BASIN MIXER - LEAD FREE 39161A

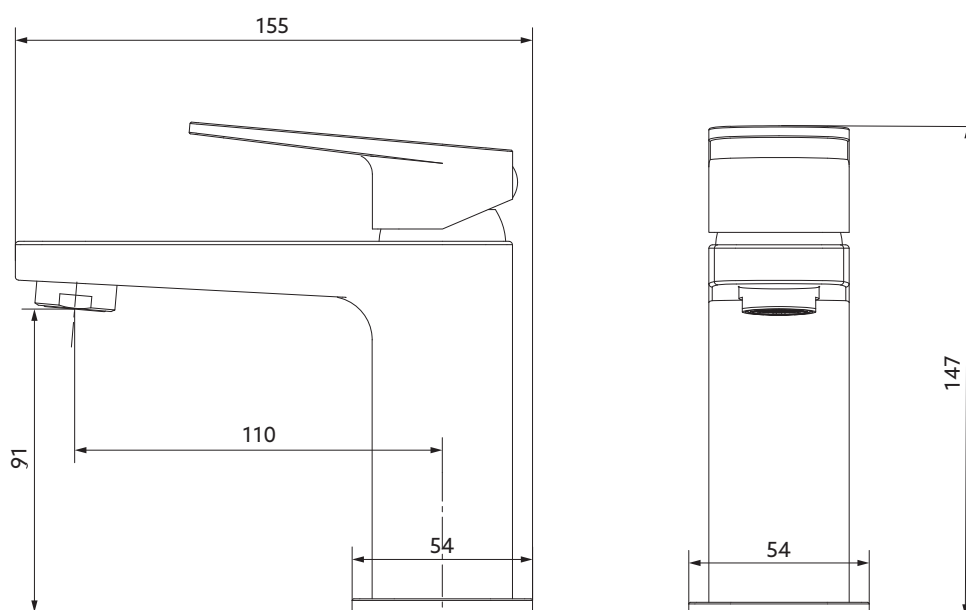
BEFORE YOU BEGIN:

All information is based on the latest product information at the time of publication. Englefield reserves the right to make changes in product characteristics, packaging, or availability at any time without notice. Please leave this installation instruction for the consumer as it contains important information.

Notes:

1. Flush the water supply pipes thoroughly to remove debris before installation.
2. An in-line water filter must be used with this product.
3. This mixer is intended for both equal and unequal hot & cold water pressures.
4. This mixer is not suitable for use in uncontrolled heating systems such as a wet-back or solar heating system, unless a proper tempering valve is installed.
5. Operating pressure:
 - Equal pressure: Min. 35kPa, Max. 500kPa. If supply exceeds 500kPa a pressure limiting valve must be installed.
 - Unequal pressure: Hot: Min. 35kPa, Max. 120kPa, Cold: Min. 300kPa, Max. 500kPa.
6. Operating temperature: Cold: 5°C to 20°C, Hot: 50°C to 65°C.
7. All connections must be checked for leaks after installation.
8. Ensure all local plumbing codes are observed.
9. All installations should comply with the relevant requirements of AS/NZS3500 & AS/NZS6400.
10. All installations should comply with the lead free requirements of the National Construction Code Volume three
11. **DO NOT** hydrostatic test the water supply pipe installation with this mixer installed. Damage to the ceramic cartridge may occur.
12. Use only water to pressure test this product. Before the test, ensure to flush any air from the mixer & pipework thoroughly. Max. test pressure 800kPa and Max. test duration 30 minutes.

ROUGH-IN:



All dimensions in millimetres

1(A). EQUAL MAINS PRESSURE INSTALLATION:

Proceed directly to Step 2 & install the basin mixer as supplied.

Note: No MASTERFLOW® jet nozzle kit is required under equal mains pressure condition.

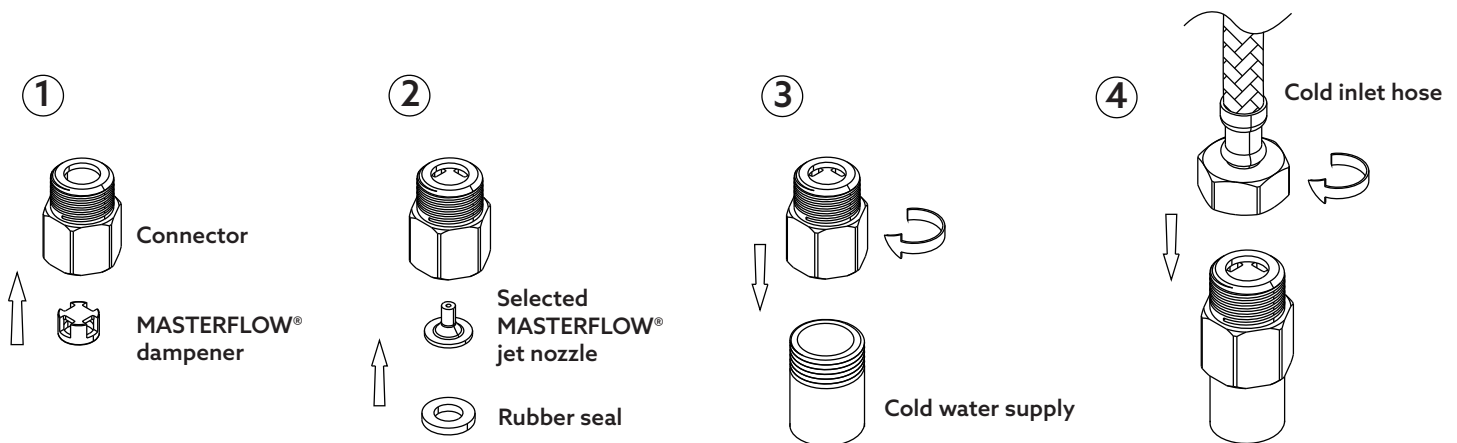
1(B). UNEQUAL PRESSURE INSTALLATION:

Under unequal pressure conditions, a supplied MASTERFLOW® jet nozzle kit & a supplied flow straightener **or** flow aerator shall be fitted and used together to enhance the mixed flow rate and to improve the mixed temperature control.

Use below information to select the jet nozzle & flow straightener **or** flow aerator to be used.

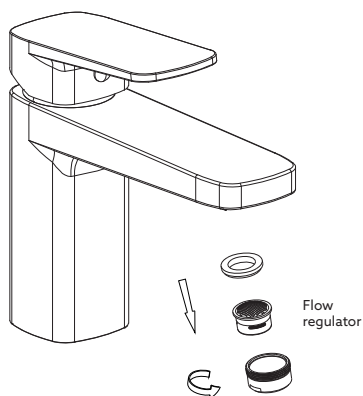
Hot inlet pressure	Colour of jet nozzle	Flow straightener/flow aerator
35kPa	White	Flow straightener (Bag A)
76kPa	Yellow	Flow aerator (Bag B)
120kPa	Red	Flow aerator (Bag B)

Assemble the selected MASTERFLOW® jet nozzle kit as shown below. Install between the cold water supply and the cold inlet hose.

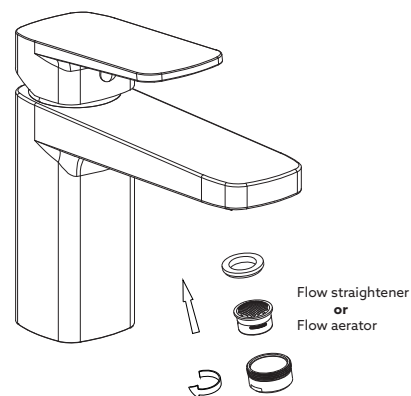


Replace the original flow regulator in the mixer with the selected new flow straightener **or** flow aerator as shown below.

① Remove original flow regulator



② Re-install new flow straightener **or** flow aerator

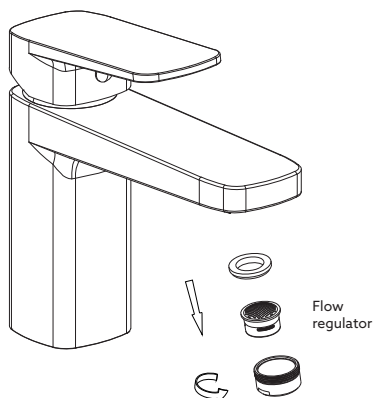


1(C). EQUAL LOW PRESSURE INSTALLATION:

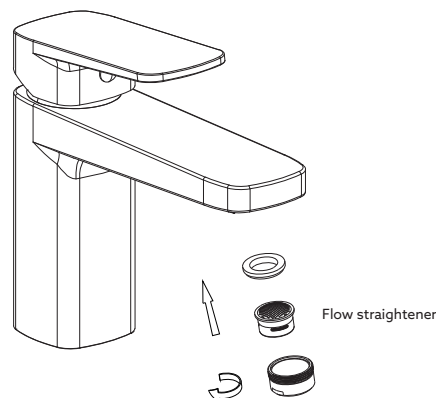
Under equal low pressure conditions, replace the original flow regulator in the mixer with the supplied flow straightener (from Bag A).

Note: No MASTERFLOW® jet nozzle kit is required under equal low pressure condition.

① Remove original flow regulator

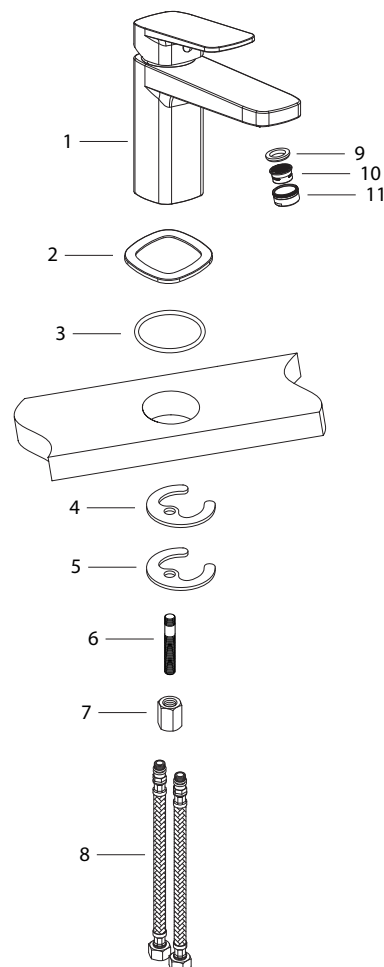


② Re-install new flow straightener (from Bag A)

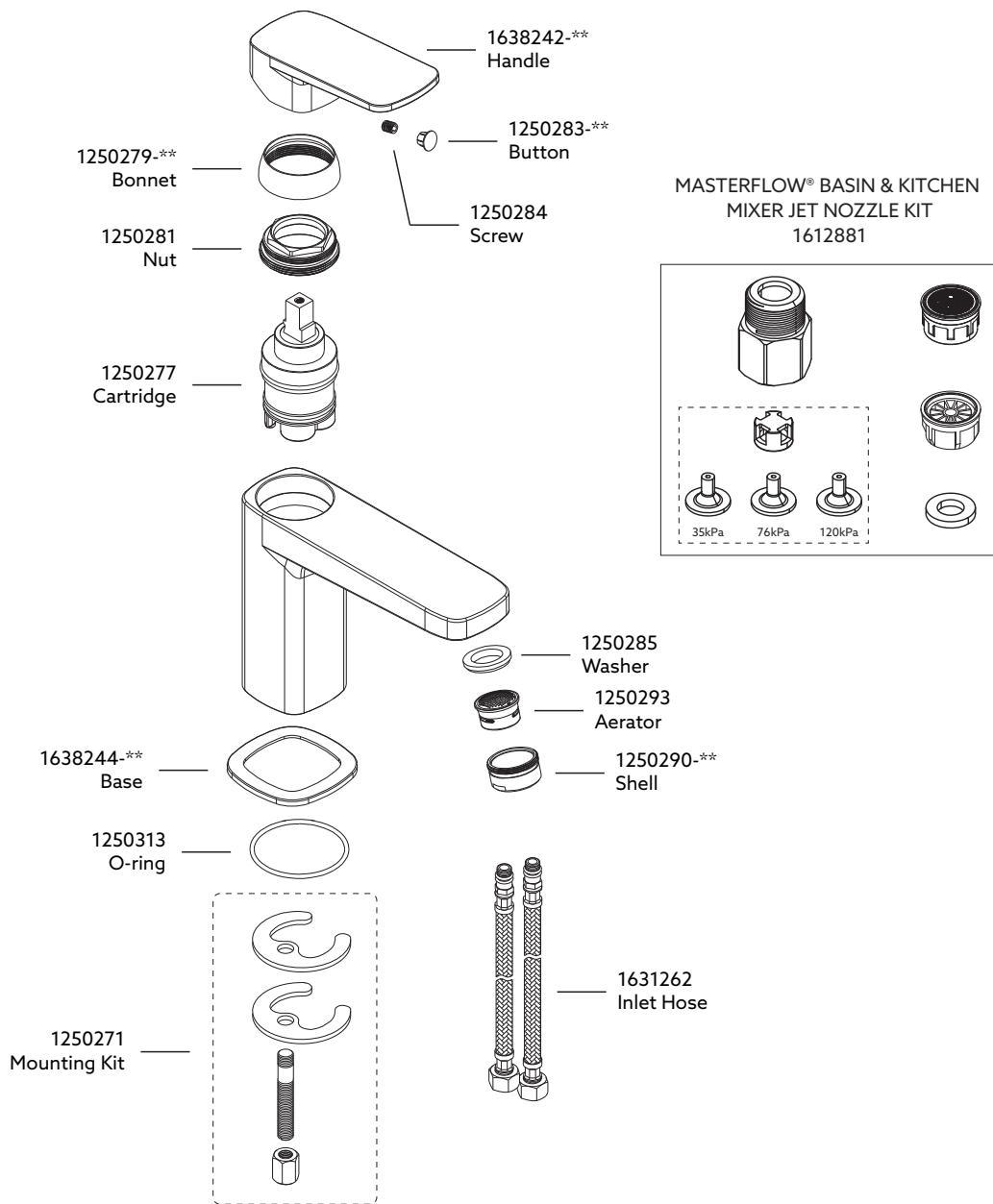


2. MIXER INSTALLATION:

1. Attach the inlet hoses (8) to the mixer body (1).
2. Screw the threaded stud (6) into the mixer body and then place the O-ring (3) onto the base (2).
3. Feed the hoses through the basin hole and position the mixer in place on the basin.
4. From the underside of the basin, place the rubber washer (4) on top of the mounting plate (5) and feed them over the threaded stud.
5. Fit the nut (7) onto the threaded stud and tighten to secure the mixer.
6. Ensure that all connections are tight. Ensure that the handle is in OFF position.
7. Open the basin drain as necessary. Turn on main water supply and check for leaks.
8. Remove rubber washer (9) & flow regulator/aerator/straightener (10) by unscrewing the shell (11). Turn on the mixer. Run hot & cold water through spout to remove any debris. Turn off the mixer.
9. Reinstall the rubber washer & flow regulator/aerator/straightener back and tighten the shell to prevent removal of the flow regulator by hand.



SPARE PARTS LIST:



** Please specify a colour when ordering:
 -CP (Chrome), -BN (Brushed Nickel), -BL (Matte Black), -EGN (Gunmetal), -2MB (Brushed Brass)

CONTACT AND WARRANTY INFORMATION:

NEW ZEALAND

KOHLER NZ LTD

0800 100 382

info@englefield.co.nz

englefield.co.nz

AUSTRALIA

englefield.com



For warranty information, please visit our website.