

# STUDIO™ MASTERFLOW® SHOWER / BATH MIXER



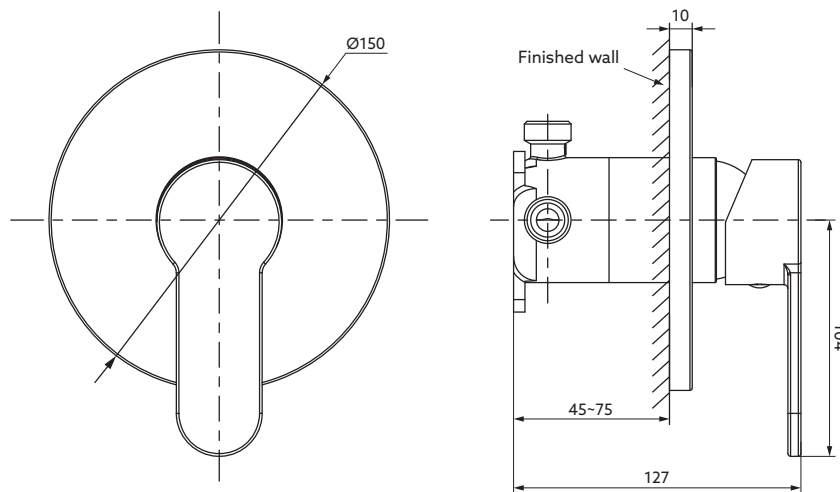
## Features

- MASTERFLOW® all pressure technology, suitable for equal & unequal hot & cold water pressures.
- Enhanced flow and smoother temperature control.
- DZR brass construction.
- High flow 47mm diameter ceramic disc cartridge.
- Hardwearing polished chrome finish.
- Watermark certified.
- Easy to install.



Product SKU	Product Description	Colour/Finish - **
36203A-**	STUDIO™ MASTERFLOW® SHOWER / BATH MIXER	CP - Polished Chrome; BN - Brushed Nickel; BL - Matte Black; 2MB - Brushed Brass;

## Rough In



All measurements shown are in millimetres.

## Installation Notes:

1. This shower mixer is intended for both equal and unequal hot & cold water pressures.
2. Operating pressure:
  - Equal pressure: Min. 35kPa, Max. 500kPa.
  - Unequal pressure: Hot: Min. 35kPa, Max. 120kPa, Cold: Min. 300kPa, Max. 500kPa.
3. Operating temperature: Cold: 5°C to 20°C, Hot: 50°C to 65°C.
4. All installations should comply with the relevant requirements of AS/NZS3500.
5. **DO NOT** hydrostatic test the water supply pipe installation with this shower mixer installed. Damage to the ceramic cartridge may occur.
6. Use only water to pressure test this product. Maximum test pressure 800kPa and maximum test duration 30 minutes.
7. Flush the water supply pipes thoroughly to remove debris before installation and an inline water filter must be used with this product.
8. All connection are G1/2" B.



New Zealand  
 KOHLER NEW ZEALAND LTD  
 Ph: 0800 100 382  
 info@englefield.co.nz  
 englefield.co.nz

Australia

englefield.com

Sept 2024  
 1622160-A04-A