

INSTALLATION INSTRUCTIONS



Trusted in New Zealand Since 1982

BATHS

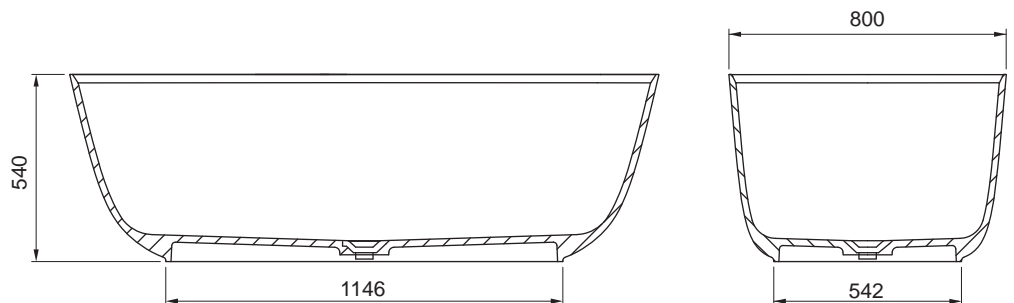
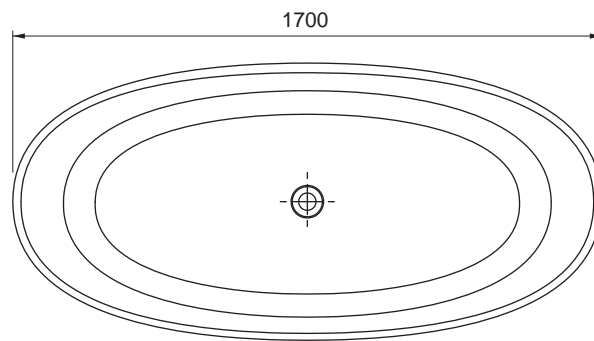
MILANO™ Solid Surface FS Baths

ROUGH IN DIMENSIONS



Englefield has a history of making superb baths and their popularity is testament to their quality and affordability.

It's the details that Englefield cares about - from pioneering the latest technology, to innovative design, it's all to make your bathing experience the very best it can be.



WARNING: The Milano Solid Surface Freestanding bath is very heavy. Please make sure that the floor is structurally sound and provides adequate support for the bath, water and the user. A mechanical lifting device is advised when manoeuvring the bath.

NOTE: Check the rough-in and room dimensions to provide adequate available space for the bath unit. Arrange the location of the drain in advance and ensure that the flooring is prepared to allow space for the drain. Ensure that the floor is level.

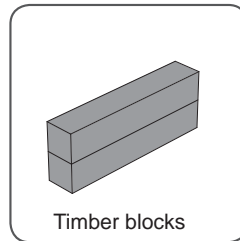
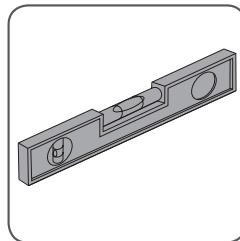
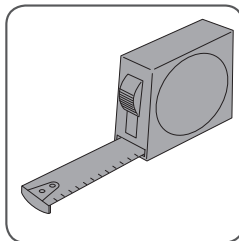
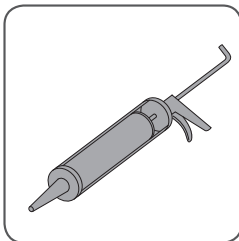
BEFORE YOU BEGIN

Before installing the bath please read these instructions carefully to familiarise yourself with the required tools, materials and installation sequences. The installation documents included assume that walls are plumb and floors are level.

In addition to proper installation, read all safety instructions and refer to the Homeowner's Guide for important care and cleaning information. Ensure that all local building and plumbing codes are observed. These instructions contain important care, cleaning and warranty information. Please leave these instructions for the consumer after installation.

IMPORTANT: Before installation please remove the protective packaging from the bath and inspect the Milano Solid Surface FS bath and report any damage to us. Installers are responsible for damage that occurs during installation and no claims for damages will be accepted once the bath has been installed.

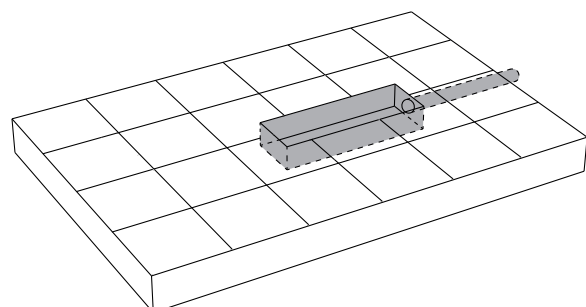
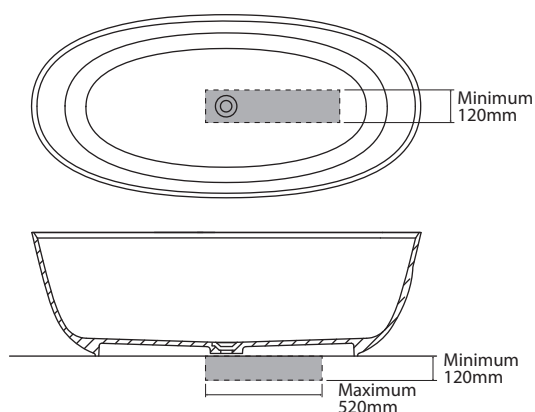
TOOLS AND MATERIALS REQUIRED



Note: Instructions, drawings, and diagrams contained in this manual present information available at the time of printing. Although every attempt has been made to keep them up-to-date, Englefield reserves the right to implement product changes without further notice.

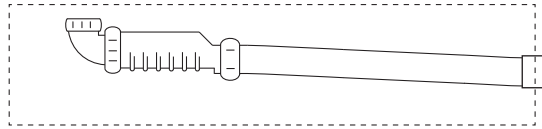
CONCRETE SLAB FLOOR PREPARATION - IF APPLICABLE

- 1) Mark out the drain position and mark out the region in the floor for the drain.
- 2) Make floor and plumbing preparations as necessary to make space for the drain. It is recommended to prepare a waterproof layer for the sub-floor.

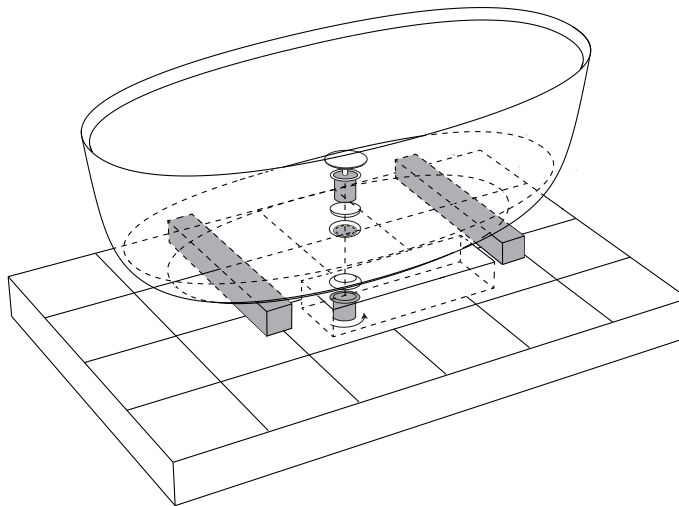


INSTALLATION

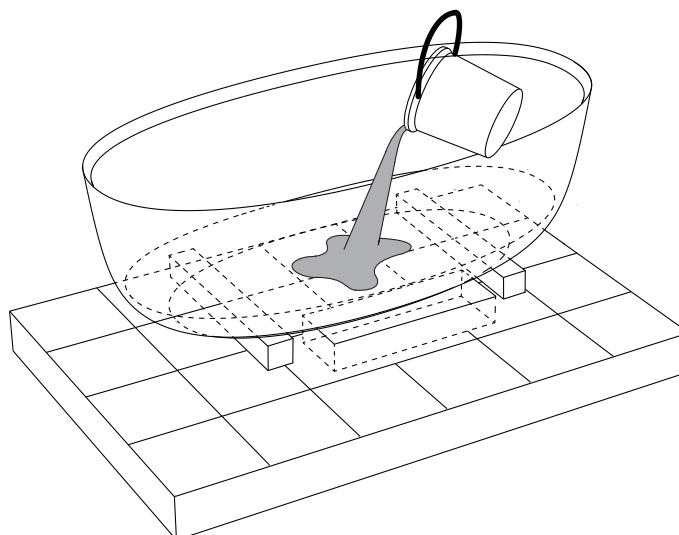
- 1) Install the drain in the sub-floor & position it accordingly to allow for the waste to be connected. The self-sealing trap with flexible waste pipe (80144A-NA) is recommended, where there is no underfloor access. Please adhere to the relevant sections of AS/NZS 3500 plumbing standard.



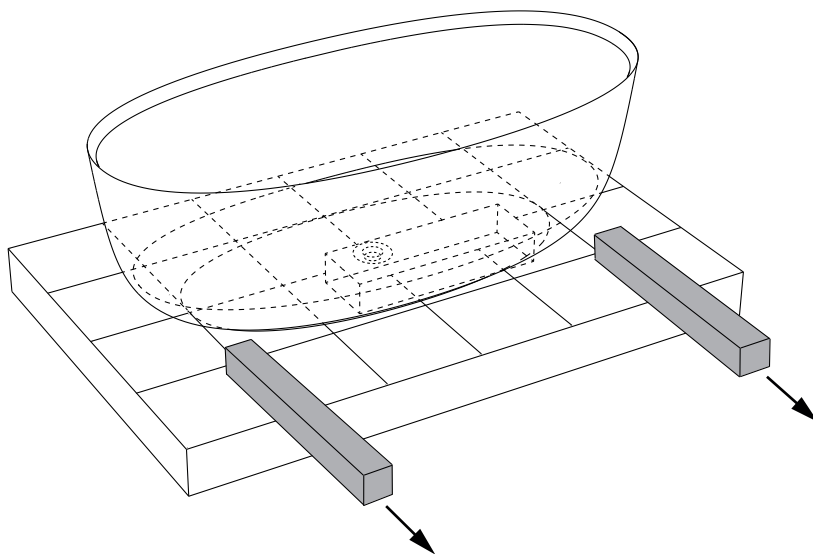
- 2) Raise the Free Standing bath off the floor by propping it up onto timber blocks positioned at either end of the bath. Install and connect the waste outlet. Apply silicone sealant around the waste connections to ensure a water-tight fit.



- 3) Connect the waste outlet to the drain. Check to see that all connections are firmly tightened.
- 4) Close-off the waste and fill the bath with water, allow the water to stand for at least 30 minutes, check for leaks. Attend to waste and pipe connections as necessary.



- 5) Carefully slide the timber blocks out and gently lower the bath into place. Apply an appropriate silicone sealant, ensuring a watertight seal between the bath and adjacent surfaces.



Installation complete.

CLEANING AND MAINTENANCE INSTRUCTIONS

- 1) Please refer to the Homeowner's Guide for cleaning instructions.
- 2) Because baths are often placed on cold floors, and Solid surface baths are sensitive to thermal shock, it is highly recommended in cold periods, to run in lukewarm water for a couple of minutes before running hot water. It is recommended the hot water be no more than 60°C.
- 3) Light scratches can be removed, if necessary, with very fine sandpaper. It is recommended to start with 1200 grade followed by 2500 grade. Finally use car cutting compound to polish the area to recover the gloss surface.

CONTACT AND WARRANTY INFORMATION

NEW ZEALAND KOHLER NZ LTD

Free Ph: 0800 100 382
Free Fax: 0800 664 488
www.inglefield.co.nz

AUSTRALIA KOHLER CO.

Free Ph: 1 800 ENGLEFIELD
(1 800 364 533)
www.inglefield.com



For warranty information, please visit our website.

Trusted in New Zealand Since 1982