

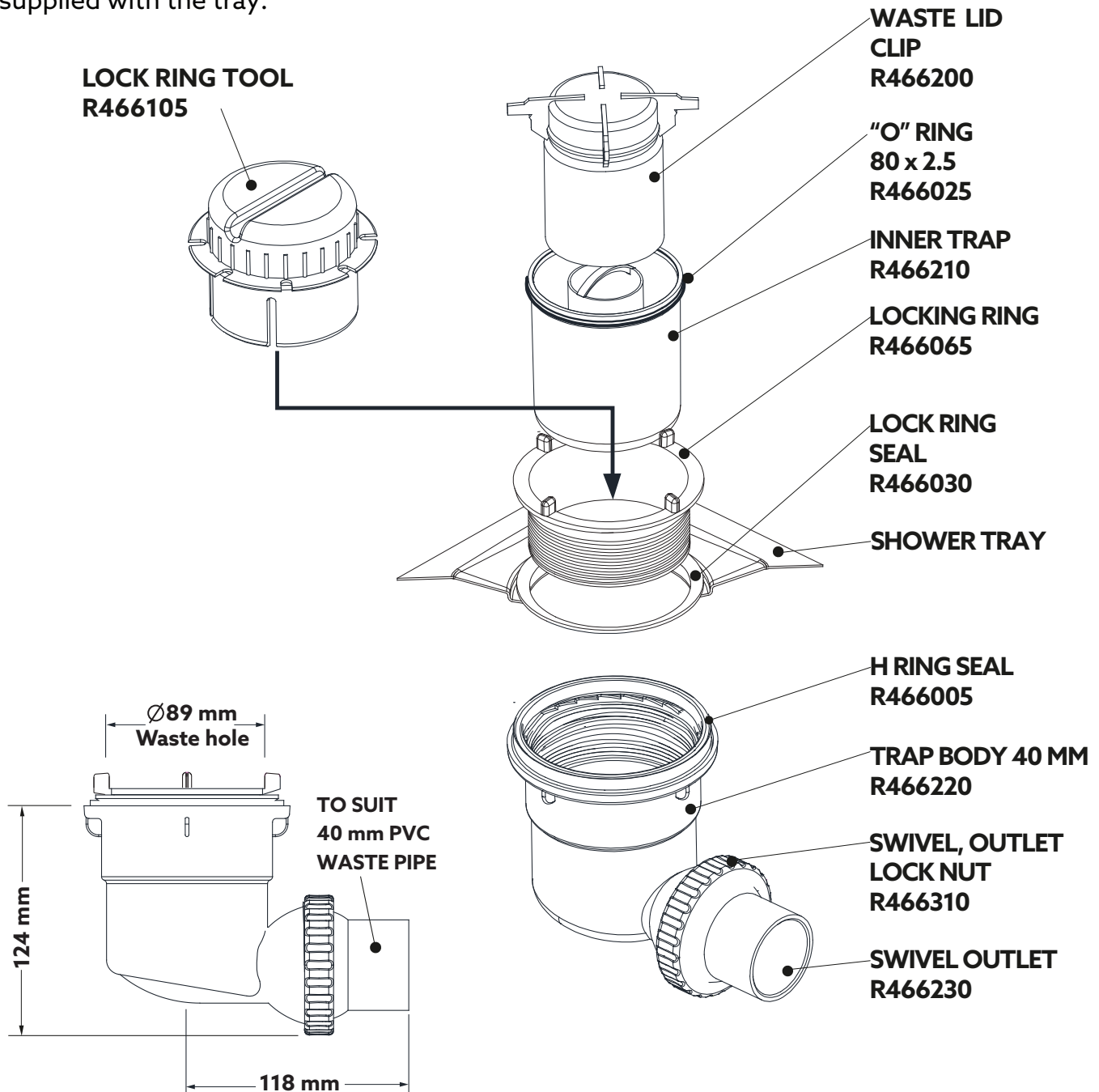
INSTALLATION INSTRUCTIONS



EASY CLEAN TRAP DURASTONEPLUS® TRAY

NOTE:

The Waste Lid for the DurastonePlus® Tray is supplied with the tray.



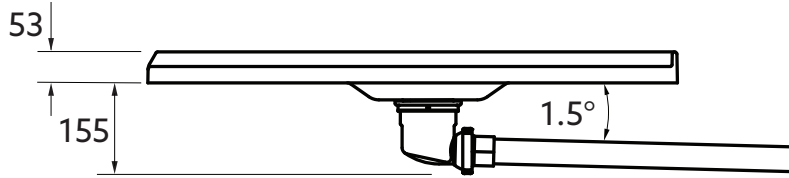
NOTE:

If during installation the swivel outlet is dismantled from the trap body, ensure that all parts are cleaned before reassembly.

BEFORE YOU BEGIN:

Check:

- You have all the necessary components and they are free of damage.
- The yellow Swivel Outlet Lock Nut is tightened.
- There is the necessary gap under the floor to fit the Easy Clean Trap and a continuous pipe fall of 1.5° (25 mm per metre).



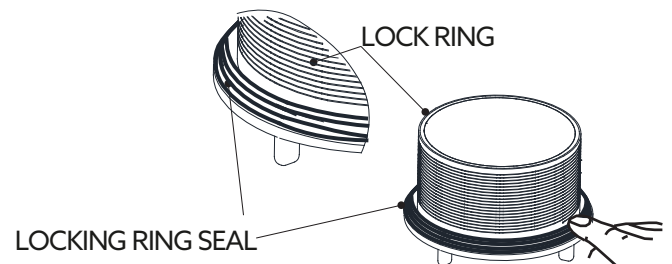
- The pipe must be free of bends or restrictions for 1.5 metres from the trap outlet.
- The existing pipes are not sagging and are not connected to a trap. This will considerably slow down the flow and the shower will not drain.

ATTENTION:

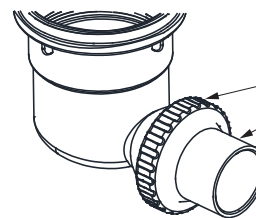
It is the responsibility of the INSTALLER to ensure that the installation complies with council and/or local authority bylaws.

INSTALLATION:

1 Ensure lock ring seal is correctly fitted as shown image on the right.



2 Ensure the Yellow locknut on the waste outlet is tightened before completing the installation and the outlet surface is clean.

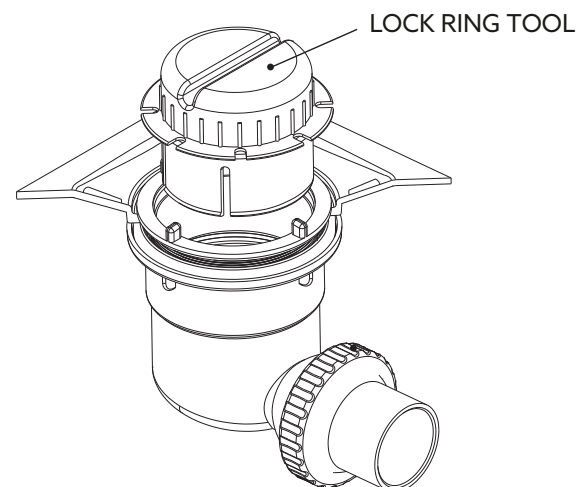


Must check before completing the installation:

- the nut is tightened
- the surface is clean

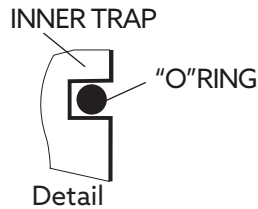
3 Fit the trap body with the H Ring Seal centered underneath the tray ensuring it sits flat on the bottom of the tray and secure with the lock ring (Lock Ring Seal is pre-fitted, ref step 1).

Use the Lock Ring Tool to tighten the Lock Ring against the Trap Body and achieve a watertight seal, then remove the tool and keep for future maintenance.

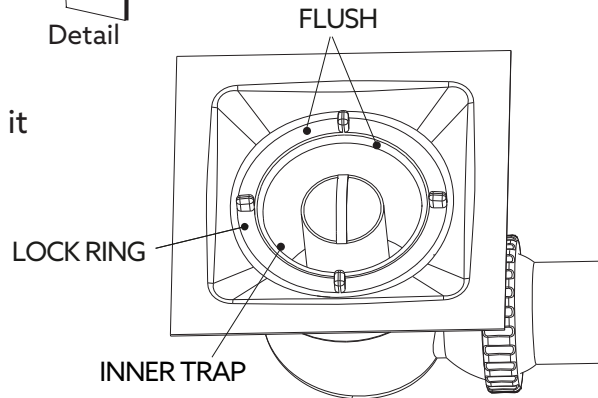


Check for leaks before completing the installation.

4 Ensure the "O" Ring is fitted on the Inner Trap.

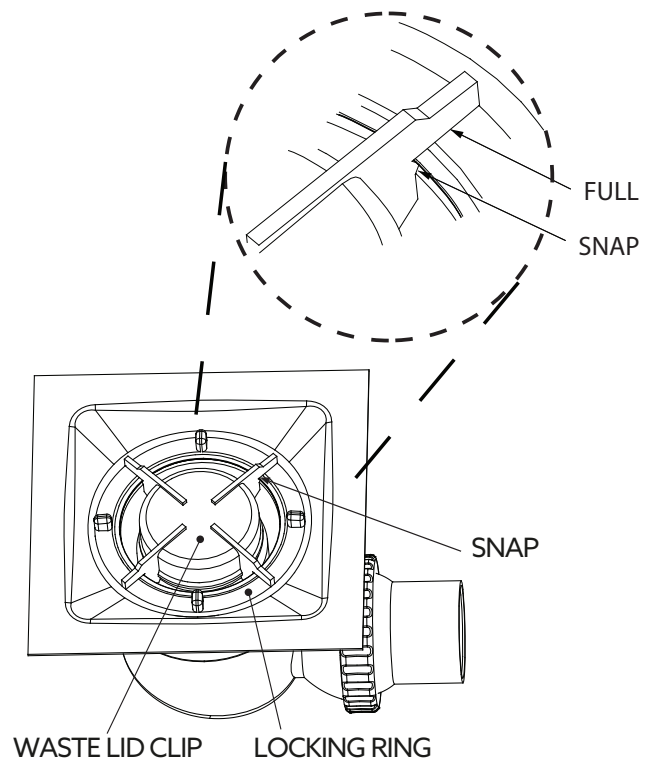


Insert the Inner Trap and push down until it sits flush with the Lock Ring.



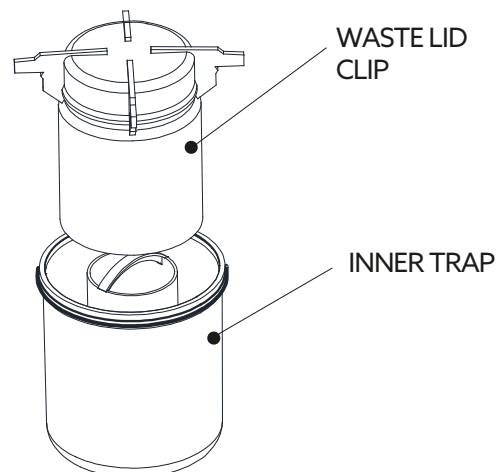
5 Insert the Waste Lid Clip and push down until it SNAPS in position and the support wings are in full contact with the top of the Lock Ring.

Cover the waste to stop any debris and construction materials falling into the waste while completing the shower installation.



Maintenance & Cleaning:

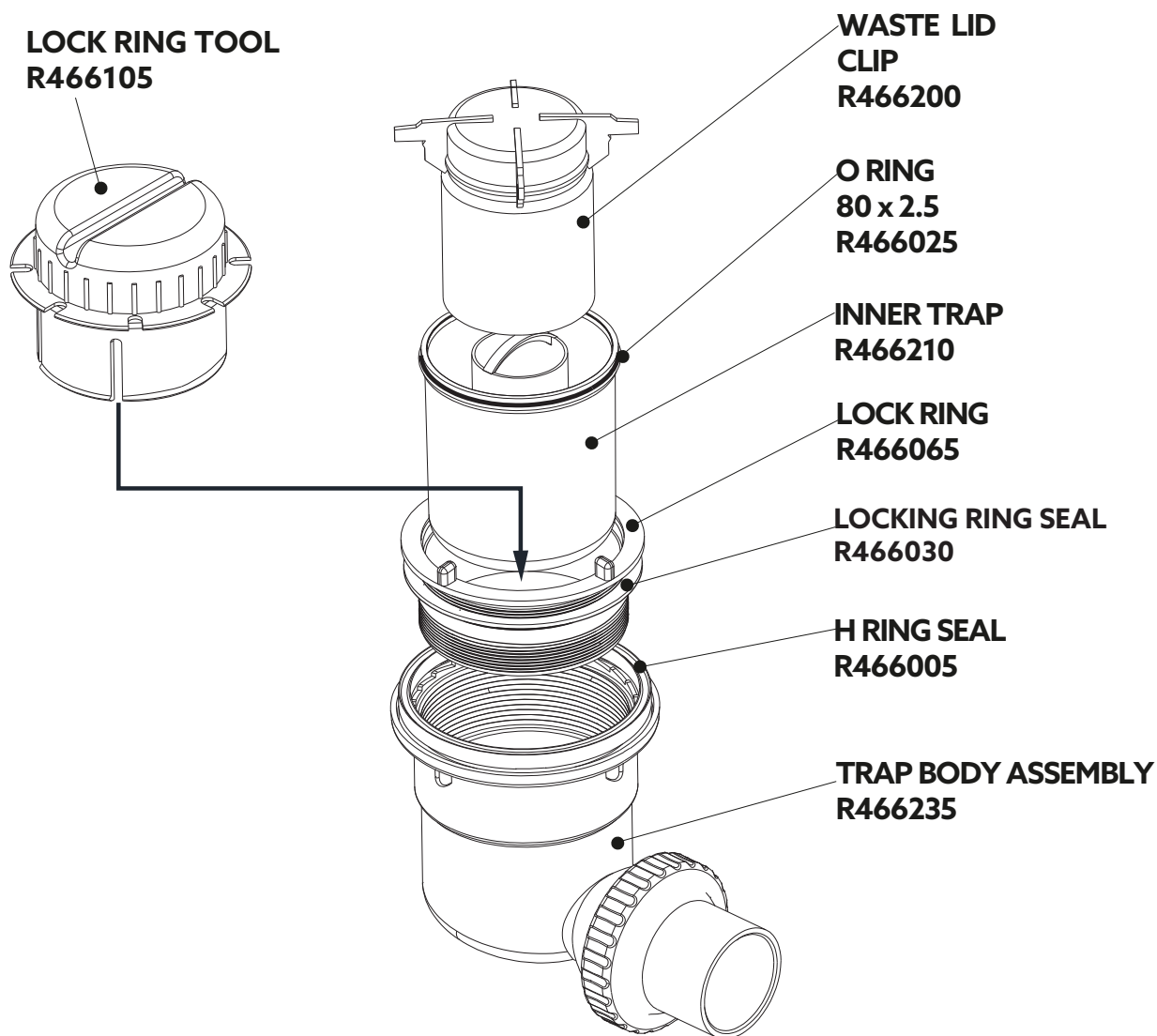
- Remove the Waste Clip and the Inner Trap.
- Check for any obstructions and remove.
- Wipe clean and reinstall the Lid Clip and the Inner trap.
- If required re-tighten the Lock Ring using the yellow Locking Ring Tool.



SPARE PARTS:

NOTE:

The Waste Lid for Durastone Tray is supplied with the tray.



CONTACT AND WARRANTY INFORMATION:

NEW ZEALAND
Kohler New Zealand Limited

0800 100 382
info@englefield.co.nz
englefield.co.nz

AUSTRALIA

englefield.com

