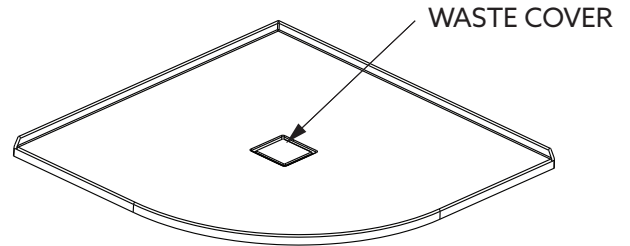
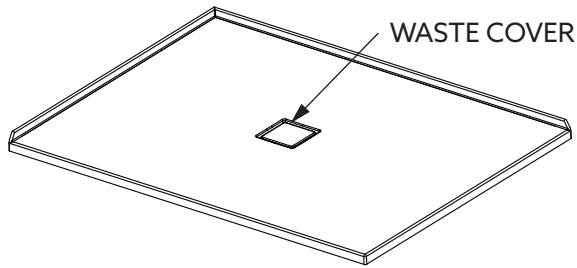


# INSTALLATION INSTRUCTIONS

SHOWER | DURASTONEPLUS® SHOWER TRAY

Englefield



**ATTENTION:** The waste cover is supplied with the tray. Look for the waste cover in the shower tray box.

## BEFORE YOU BEGIN:



**IMPORTANT**

NOTE: Building requirements can vary, local regulations must be checked prior to installation.  
NOTE: Drawings in this document are not to scale.  
Protect the surface and the visible edges of the tray at all times. Protective cutout cardboard is on the back of the packaging. Leave surface protector in place while completing the door and wall installation.

Please note: Instructions, drawings, and diagrams contained in this manual present information available at the time of printing. Although every attempt has been made to keep them up-to-date, Englefield reserves the right to implement product changes without further notice.

## A) SHOWER TRAY & TILED WALL INSTALLATION OPTIONS

The tray should be installed in accordance with one of the following recommended methods:



**IMPORTANT**

Wall retainer extrusions or door must be installed **prior to tiling**. Please refer to installation instructions provided with shower door.

Fig. 1 - Wet Area Wall Board & Tiles - Method 1

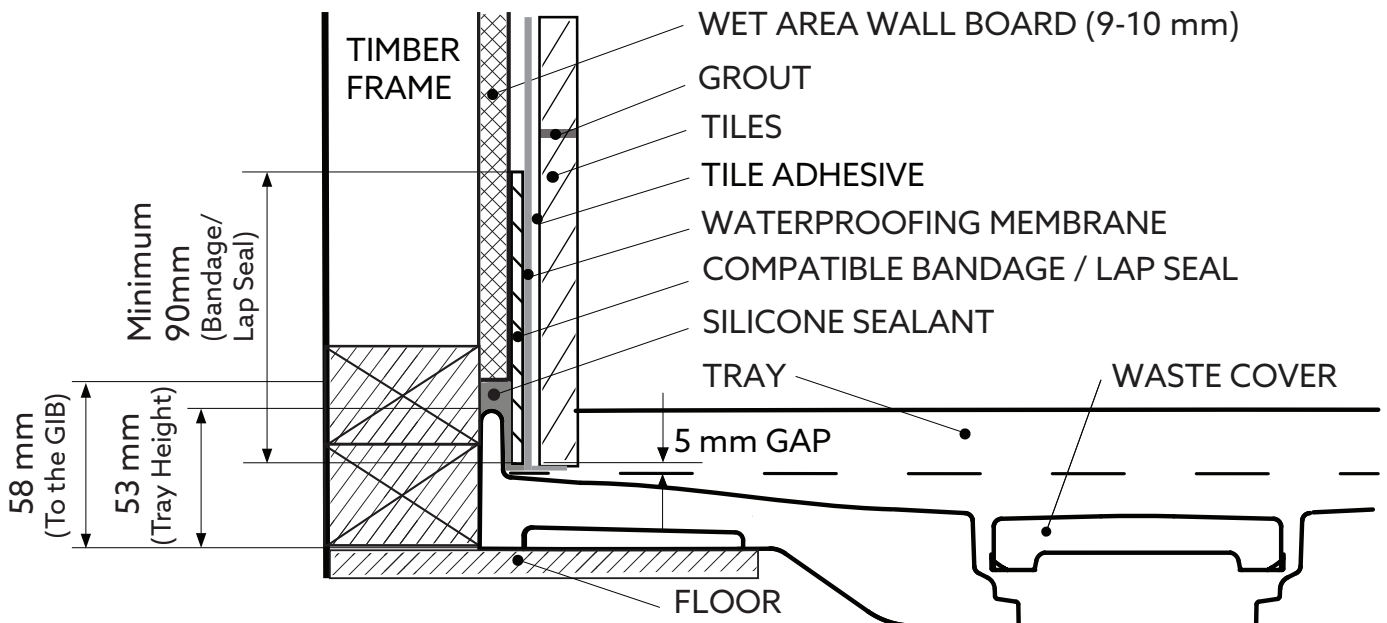
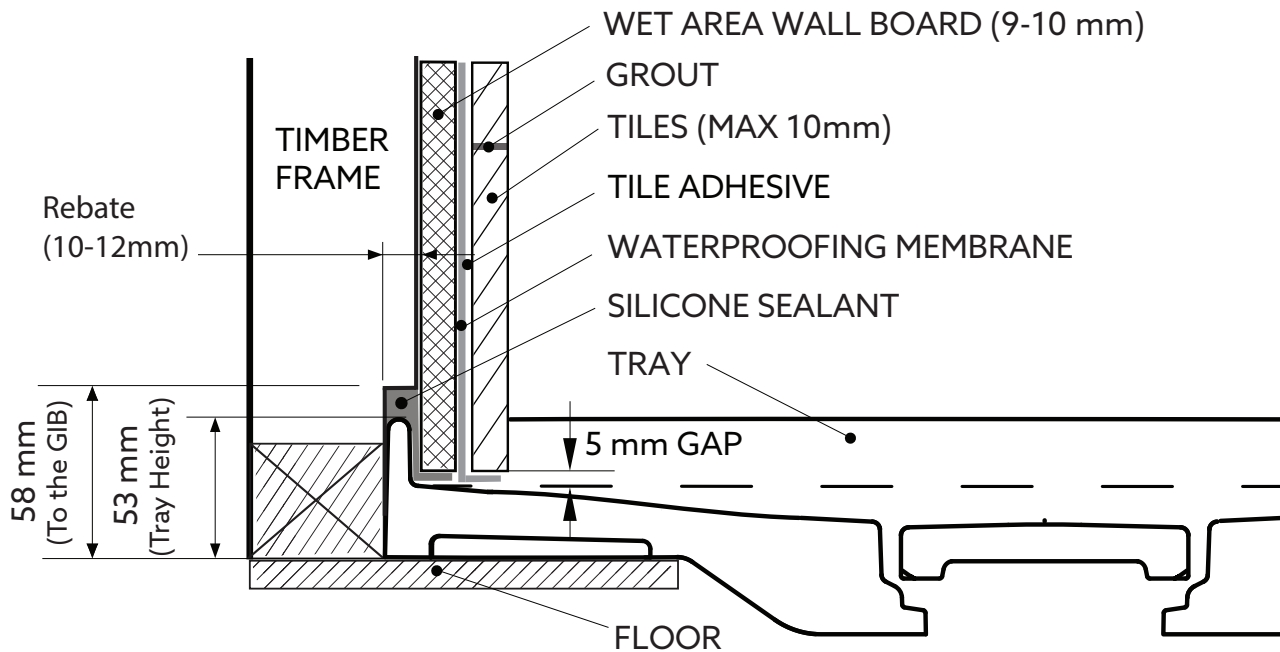


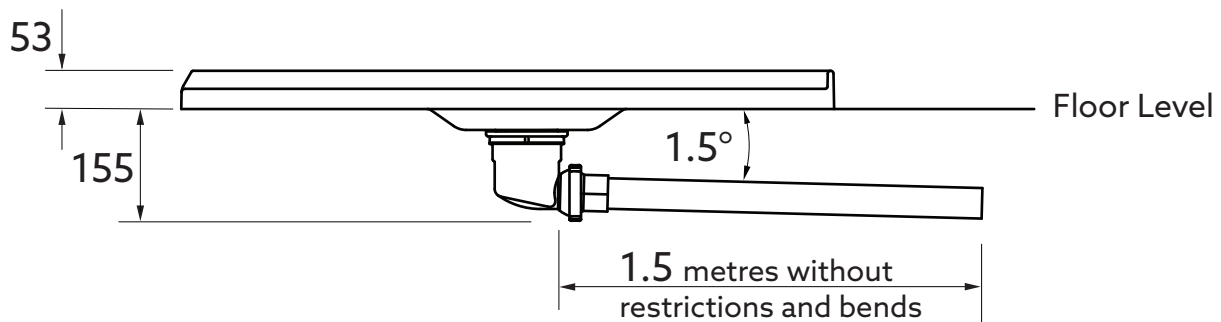
Fig. 2 - Wet Area Wall Board & Tiles - Method 2, rebated into the stud



**B) FLOOR CONSTRUCTION**

Ensure that is enough space under the floor to install the tray, the waste fitting and the plumbing with an adequate fall of 1.5° (25mm/metre) and continuous flow without bends and restrictions for 1.5 metres from the trap outlet.

Ensure there is good access to the waste fitting for maintenance.



**TIMBER**

When installed on a timber floor, the floor board should be supported at not greater than 400mm centres and the cut-out waste connection kept to a minimum.

**CONCRETE**

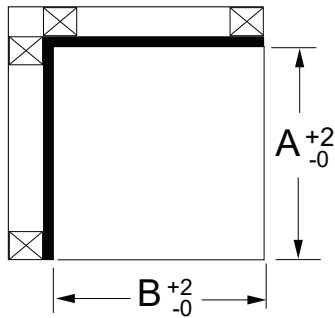
When installed on a concrete slab floor, chases or channels left for plumbing must be completely backfilled.

**C) WALL CONSTRUCTION**

1) Ensure that the wall framing and lining are constructed in accordance with the following illustration (Fig. 3).

- 2) Measure the back and side wall(s). The dimensions of the shower area (measured to the finished surface of the wall board) must be as shown below.
- 3) Ensure studs are located as shown (dimensions A & B to provide a solid support for the door and return panels).

**Fig. 3 - Corner (2 sided) Wall**



SHOWER TRAY	A	B
900 X 900	884	884
1000 X 1000	984	984
1200 X 900 *	884	1184

\* Asymmetric trays are handed, eg: 1200x900 RH (return on right)  
900x1200 LH (return on left)

Note: Dimensions are to the finished surface of the standard 10 mm wall board.

- 4) Cut the wallboard to slide the tray under (Fig 1, on page 1), or prepare the rebate, Fig 2 on page 2).

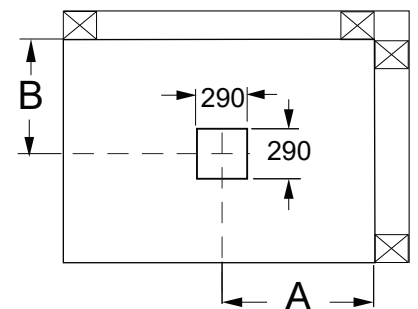
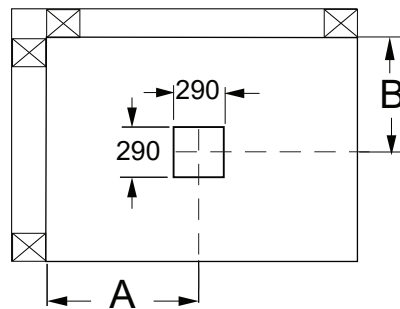
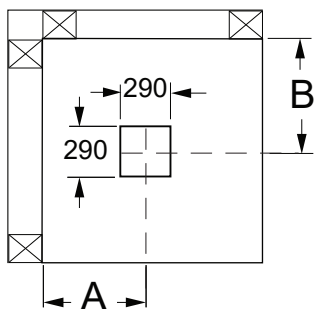
**INSTALLATION GUIDE**

Ensure the floor is flat and clean.  
Determine waste location (refer to diagrams below) and mark on the floor.  
Cut away a 290x290 mm square to locate the waste protrusion. Add extra nogs to support the waste if required.  
Complete the plumbing and check the fit of the tray over the waste. Adjust if necessary.

900 x 900 & 1000 x1000  
2 Sided Tray & Round Tray

1200 x 900  
2 Sided Tray- Right Hand

1200 x 900  
2 Sided Tray- Left Hand



SHOWER TRAY	A	B
900 X 900 2 Sided	426	426
1000 X 1000 2 Sided	476	476
900 X 900 Round	426	426
1000 X 1000 Round	476	476
1200 X 900 Right Hand	576	426
1200 X 900 Left Hand	576	426

Note: Dimensions are to the finished surface of the stud frame.

## INSTALLATION - SHOWER TRAY

1) Install the tray choosing one of the methods below:

a) Cement slurry Mix (Optional):

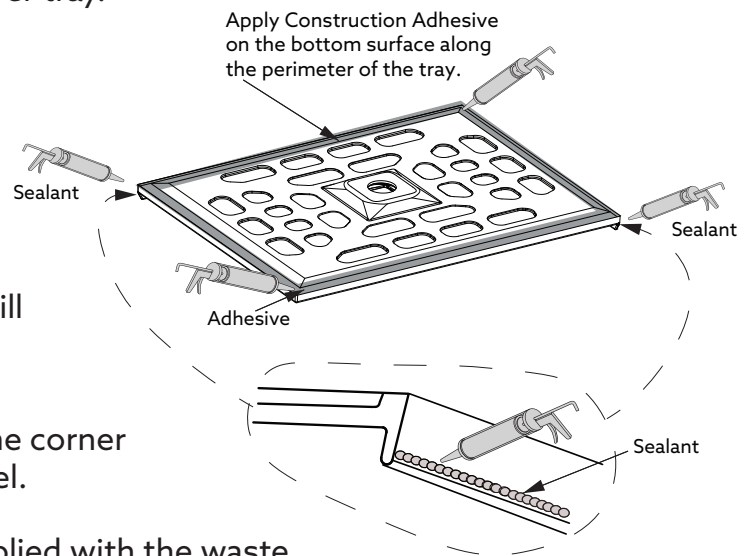
Many tradesmen prefer to install trays on a weak cement slurry (approx. 10:1 sand and cement) thus ensuring complete support over the entire load-bearing area. However this step is not necessary providing that installation is on a flat, level surface free of bumps and protrusions.

When installed on a concrete slab floor, chases or channels left for plumbing must be completely backfilled. Building requirements can vary, local regulations must be checked prior to installation.

Carefully cover the waste to prevent any dirt and debris from entering while preparing a bed of sand and cement or silicon sealant for shower tray.

b) Construction adhesive:

With the tray laying upside down, apply a suitable adhesive, such as Sika Nailbond PB & Sika Showerbond.



2) Apply a bead of silicone sealant around the upright edges at the back of tray where it will contact the frame.

3) Move the tray in position, push firmly into the corner against the timber frame. Ensure the tray is level.

4) Connect the waste. Follow instructions supplied with the waste.

**ATTENTION: The waste cover is supplied with the tray.**

**Look for the waste cover in the shower tray box.**

5) Cover the tray to protect the surface during the wall and door installation.

For this, cut the tray protector from the back of the shower tray carton.

Leave tray in place, do not stand or walk on it for 24 hours to allow enough time for the adhesive to cure.



## CLEANING INSTRUCTION

- Clean surface after each use.
- Use only warm soapy water and dry with a lint free cloth.
- Do not use products containing : Abrasives, Solvents, Hair Dye, Acetone, Bleach, Alcohol.
- If contamination occurs, rinse immediately.

## CONTACT AND WARRANTY INFORMATION

**NEW ZEALAND**  
**Kohler New Zealand Limited**  
**0800 100 382**  
**info@englefield.co.nz**  
**englefield.co.nz**

**AUSTRALIA**

**englefield.com**

