

# SHOWER TRAY

## DURASTONEPLUS® CORNER SHOWER TRAYS

Englefield's DurastonePlus® shower trays have 25 mm moulded upstands for water-tightness.



**Tray Options:** **Shape:** Round, Square, Rectangle.  
**Size:** 905x905mm, 1005x1005mm, 1205x905 mm.(Nominal).  
**Waste Position:** Centre

**Material/Finish:** -DurastonePlus® Solid Surface (Mineral filled, UV stabilised Polyester resin)  
 -Matte White, Matte Thunder Grey.

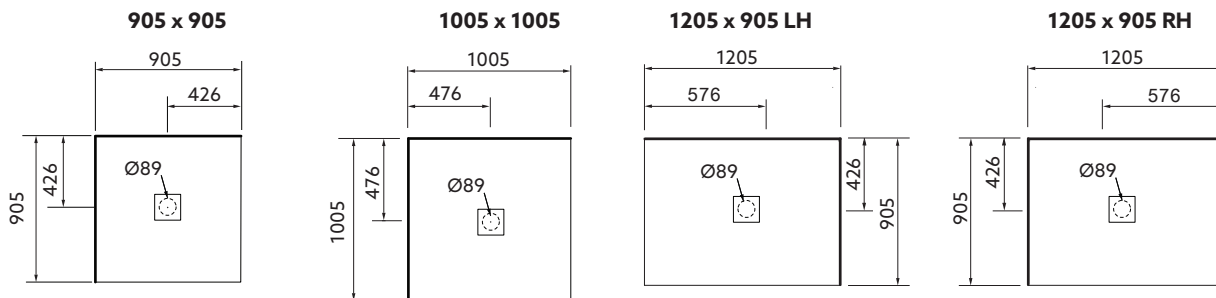
**Included Components :** -Low Profile tray with centre waste position with material and colour matched waste cover.  
 -Easy Clean DN40 Trap (NZ), or Hi-Flow DN50 Waste (AU), Watermark certified.

**Optional Accessories:** Hi-Flow DN40 Waste

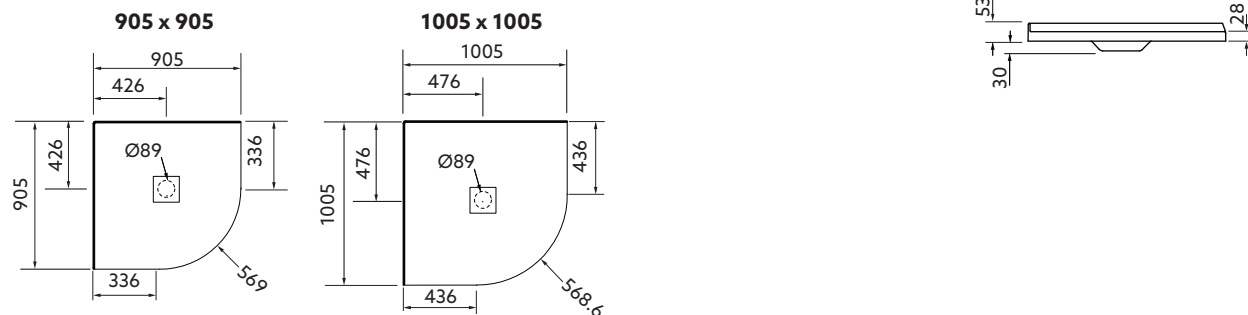
**Weight:**

Tray Models	Square & Rectangular 2-sided	Round 2-sided
905 x 905 mm	35 kg	32 kg
1005 x 1005 mm	42 kg	40 kg
1205 x 905 mm	46 kg	n/a

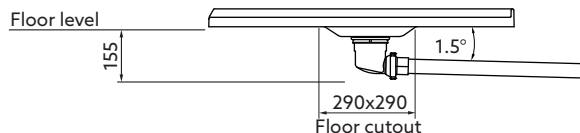
### Rectangular Trays



### Round Trays



**NZ installation side view**



**NOTE:** Refer to the Trap specifications on the next page

### Product Codes:

Tray Models	Square & Rectangular (2-sided)		Round (2-sided)	
	White	Thunder grey	White	Thunder grey
905 x 905mm	35833A-0	35833A-58	35840A-0	35840A-58
1005 x 1005mm	35837A-0	35837A-58	35841A-0	35841A-58
1205 x 905mm Left Hand	35838A-0	35838A-58	-	-
1205 x 905mm Right Hand	35839A-0	35839A-58	-	-



**New Zealand**  
**Kohler New Zealand Limited**  
 0800 100 382  
 info@englefield.co.nz  
 englefield.co.nz

**Australia**  
 englefield.com

All measurements shown, are in millimetres. Sizes are approximate.

January 2024  
 1591484-A04-A

## SHOWER TRAY ACCESSORIES

### EASY CLEAN TRAP - DURASTONEPLUS® SHOWER TRAYS (NZ only)

Designed for the Englefield DurastonePlus® Shower Tray.

The Cover and basket can be quickly removed, cleaned and clicked back into place.

The Cover is supplied with the Tray and it is material and colour matched.



**Material:** -Trap: material: Polypropylene (body)  
PVC (outlet)

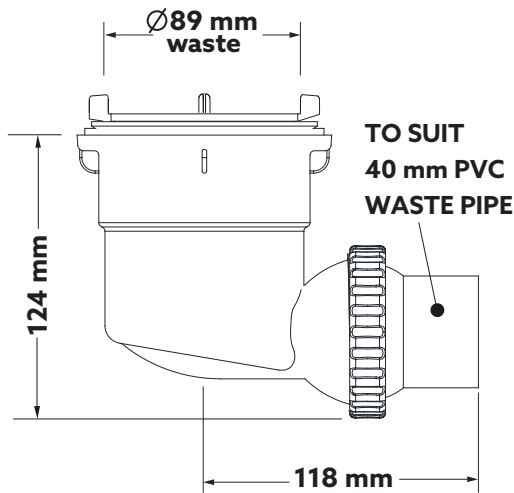
®

**Features :**

- Combination Trap/Waste Outlet
- Suitable for 89 mm diameter waste hole
- Trap with 75 mm water seal
- Removable basket for easy cleaning
- 40 mm outlet. Can be rotated to achieve the optimal pipe fall of 25 mm per metre
- Flow rate of 50 l/min
- AS 2887 compliant
- Watermark certified



**Weight:** 0.5 kg



For the outlet waste pipe:

- required minimum continuous fall of 1.5 (25 mm /m)
- avoid bends and restrictions for 1.5 metres from trap outlet.
- do not connect to an existing trap.

#### Product Code:

1591683

NOTE:

Not sold separately.



New Zealand  
Kohler New Zealand Limited  
0800 100 382  
info@englefield.co.nz  
englefield.co.nz

Australia

englefield.com

All measurements shown.  
are in millimetres.  
Sizes are approximate.

January 2024  
1591484-A04-A