

VANITIES

Sapphire Durastone™ Wall Hung Vanity 900mm Single Bowl

The Sapphire Vanity range comes with a Durastone vanity top which provides a strong and smooth finish for easy cleaning and durability. The wall hung unit has full back board for easy installation and strong, long-lasting construction.



**Colour/Finish**  
**Material**

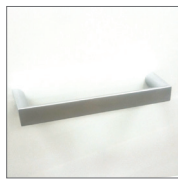
White  
Durastone closed-mold composite vanity top  
High-gloss polyurethane paint on exterior cabinet surfaces

**Included Components**

Vanity Top 900mm Single Bowl with soap recess  
Cabinet Unit 900mm, 2 Door, 2 Drawer with shelf  
Polished Chrome Curve handles x 4

**Optional Upgrade**

Satin Chrome Square Handle Pack of 4

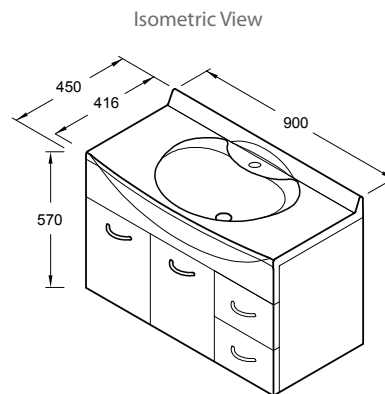
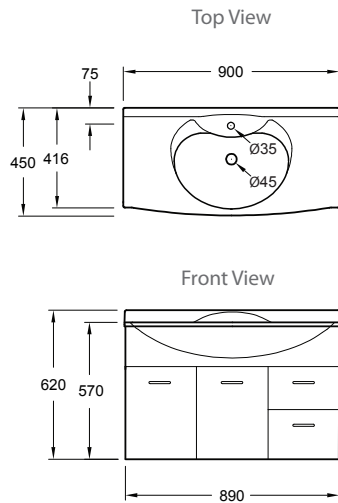


Note: Tapware as illustrated not included

Square Handle

Product	Code
Sapphire Wall Hung Vanity - 900mm	37427A-0
Satin Chrome Square Handle Pack of 4	45318A-SP

Note: Vanity Top is pre drilled for tapware.



All measurements shown are in millimetres.  
Sizes are approximate.  
1183721-A04-B Nov 20112



Trusted in New Zealand Since 1982

**New Zealand**

133 Diana Drive, Glenfield, Auckland, New Zealand  
PO Box 100-146 NSMC, Auckland, 0745  
Ph: 0800 100 382 Fax: 0800 66 44 88  
www.Englefield.co.nz