

INSTALLATION INSTRUCTIONS



SHOWER VALENCIA ELITE Pivot Door & Side Panel



Note: Tapware and accessories not included.

BEFORE YOU BEGIN

Before installing the shower please read these instructions carefully to familiarise yourself with the required tools, materials and installation sequences. Please leave these instructions for the consumer after installation. Refer to the separate care and maintenance guide for important care and cleaning information.

Ensure that the shower tray and wall, if applicable, are completely finished prior to installing your shower door and return. Follow all warnings, cautions and instructions contained in this guide.



SAFETY

1. ENGLEFIELD strongly recommends that a minimum of TWO persons install this enclosure due to the weight of the door panels.
2. Toughened safety glass cannot be cut. Risk of injury or product damage.
3. Wear protective footwear when lifting panels.
4. Wear safety glasses when drilling.

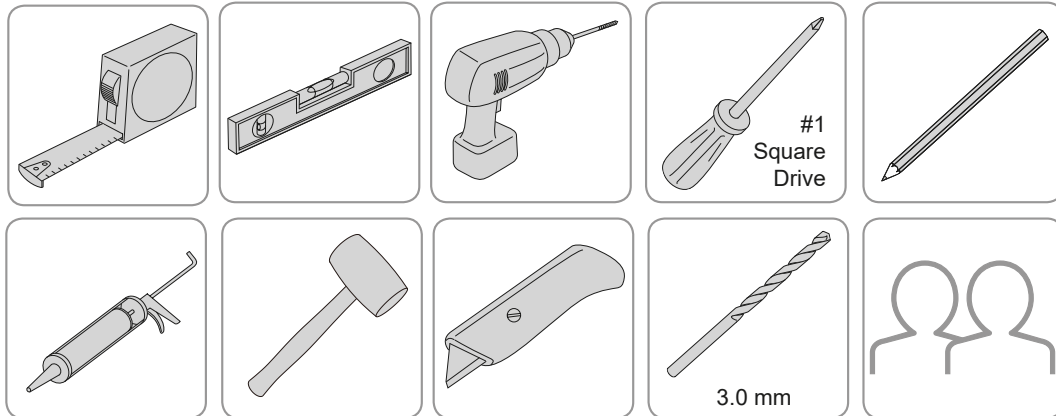


ATTENTION

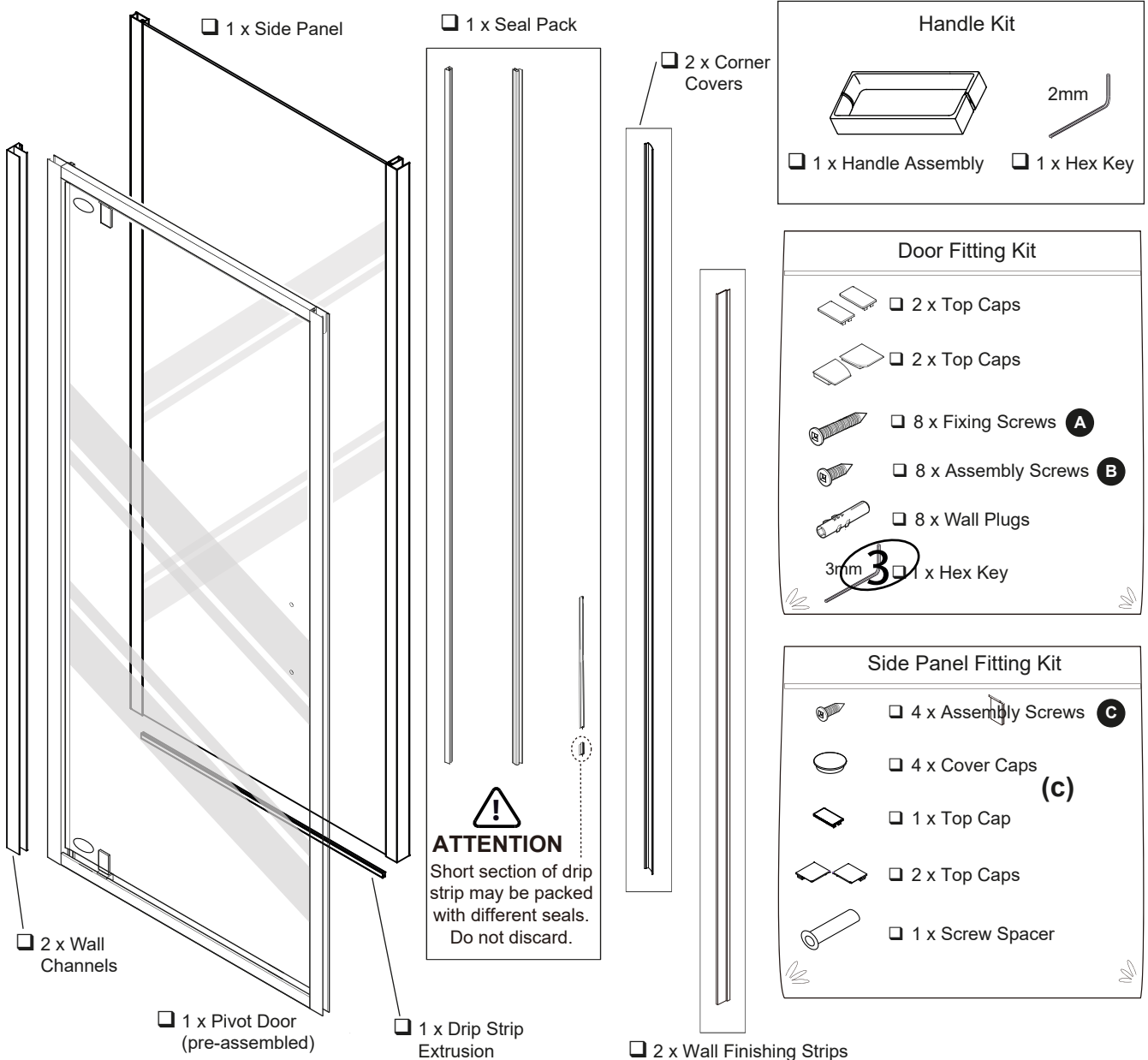
1. The wall retainers must be installed onto a waterproof, vertical and flat wall surface. Failure to do so will result in an unsatisfactory seal, which may cause property damage. The wall inclination (out of squareness) is recommended to be out by no more than **+/- 4mm/m**.
2. Please install this door onto an ENGLEFIELD Quick - Fit® shower tray only, unless installing directly onto tiled walls and floor.
3. Care must be taken when drilling into walls and floors to avoid any hidden pipes or wires.
4. It is the responsibility of the INSTALLER to ensure that the installation complies with council and or local authority by laws.

Instructions, drawings, and diagrams contained in this manual present information available at the time of printing.
changes without further notice.

TOOLS AND MATERIALS REQUIRED



PARTS IDENTIFICATION



CONSTRUCTION REQUIREMENTS

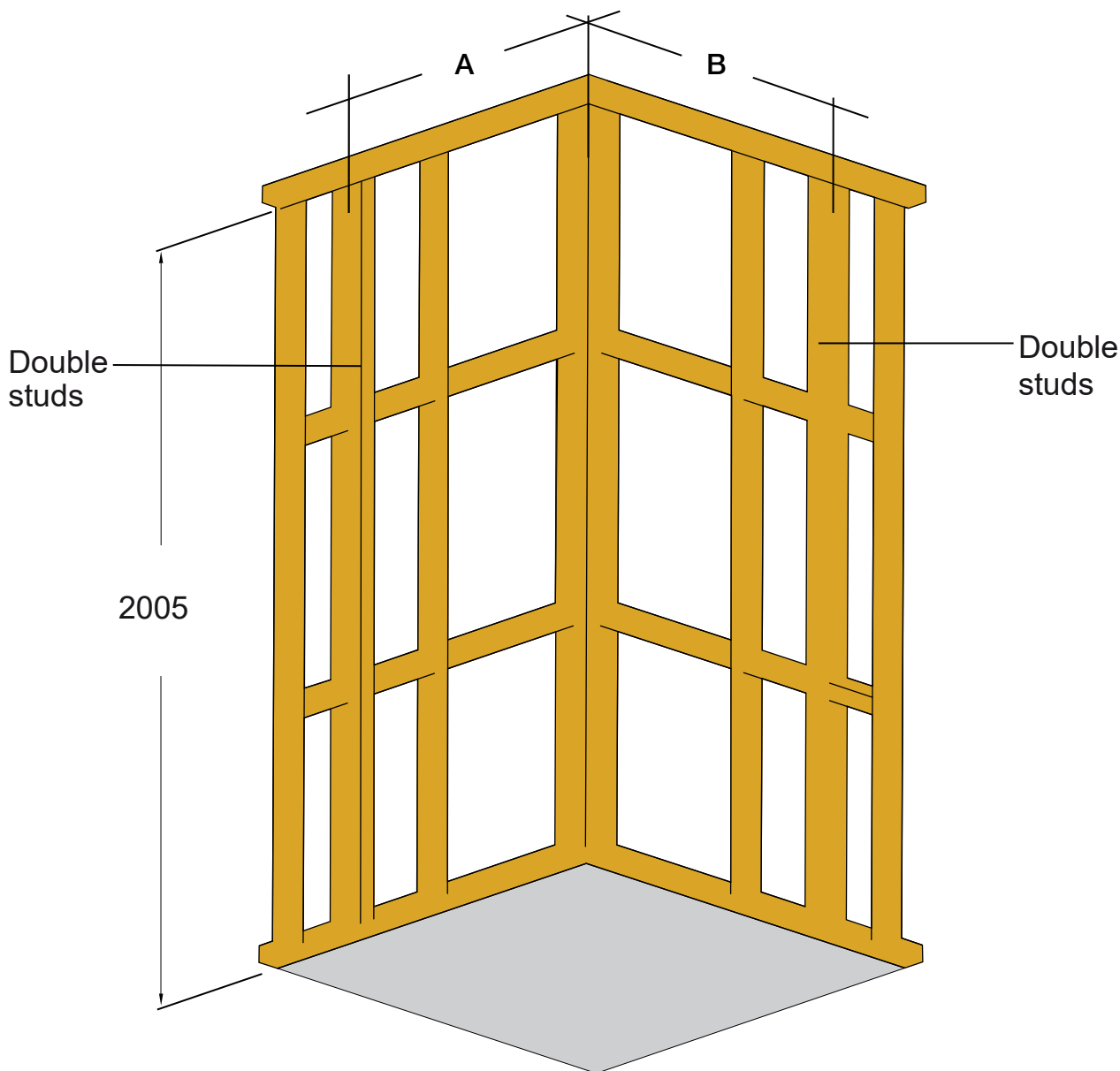


ATTENTION

Due to the weight of the glass panels Englefield strongly recommends constructing double studs (as below) to fix the wall retainers to.

Size	Dim 'A'	Dim 'B'
750 x 900 LH	760	900
750 x 900 RH	900	760
900 x 750 LH	900	760
900 x 750 RH	760	900

Size	Dim 'A'	Dim 'B'
900 x 900	900	900
1000 x 1000	1000	1000
1200 x 900 LH	1200	900
1200 x 900 RH	900	1200



INSTALLATION - Options

OPTION 1 - Acrylic Wall & Tray

Tray: For tray installation refer to the instructions supplied with the tray.

Wall: For wall installation refer to the instructions supplied with the wall.

- Proceed to Door and Return Installation.

OPTION 2 - Tiled Wall & Acrylic Tray

Tray: For tray installation please refer to the instructions supplied with the tray.

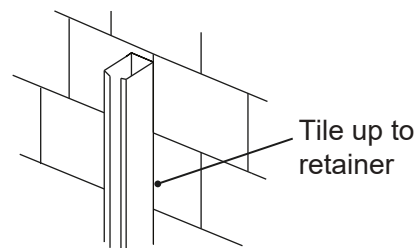
Wall:

- The vertical wall retainers **MUST** be installed onto the waterproof membrane **PRIOR TO WALL TILING**. If possible the complete door system should be installed onto the waterproof membrane prior to wall tiling.

CAUTION: Failure to install the wall retainers first may mean the door system may not fit on the shower tray due to the tile thickness.

- If not installing the complete door system prior to tiling, install the wall retainers and tiles. The retainer cover extrusion can be inserted after tiling - there is no need to leave a tiling gap. Refer to image.

- Proceed to Door and return installation.



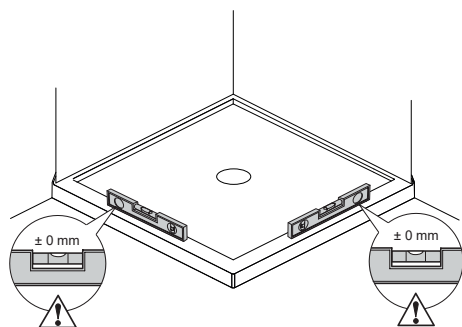
OPTION 3 - Tiled Wall & Floor

- The door and return can be installed directly onto the wall and floor tiles.

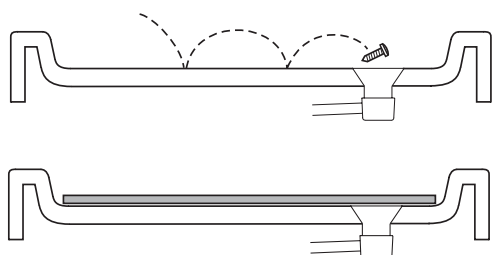
- Proceed to Door and Return Installation.

INSTALLATION

1



Caution: Ensure tray or tiled floor is level & walls are vertical & square.

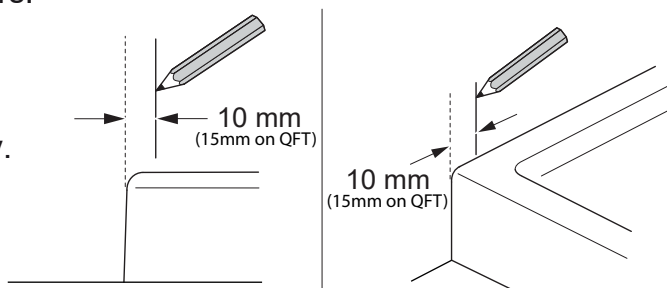


Tip: Cover the waste to prevent the loss of small parts. If installing onto a tray protect the tray surface during installation.

(a) Mark the locations of the wall retainers.

For tray base option:

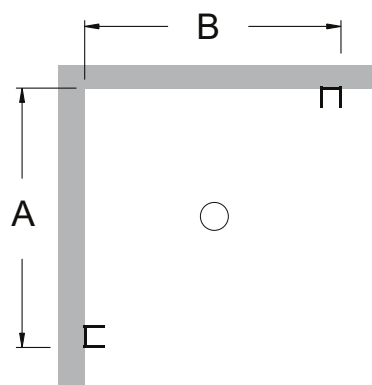
- Mark 10mm in from top edge of tray.
- (Mark 15mm in on 90mm sill height Quick-Fit Trays)



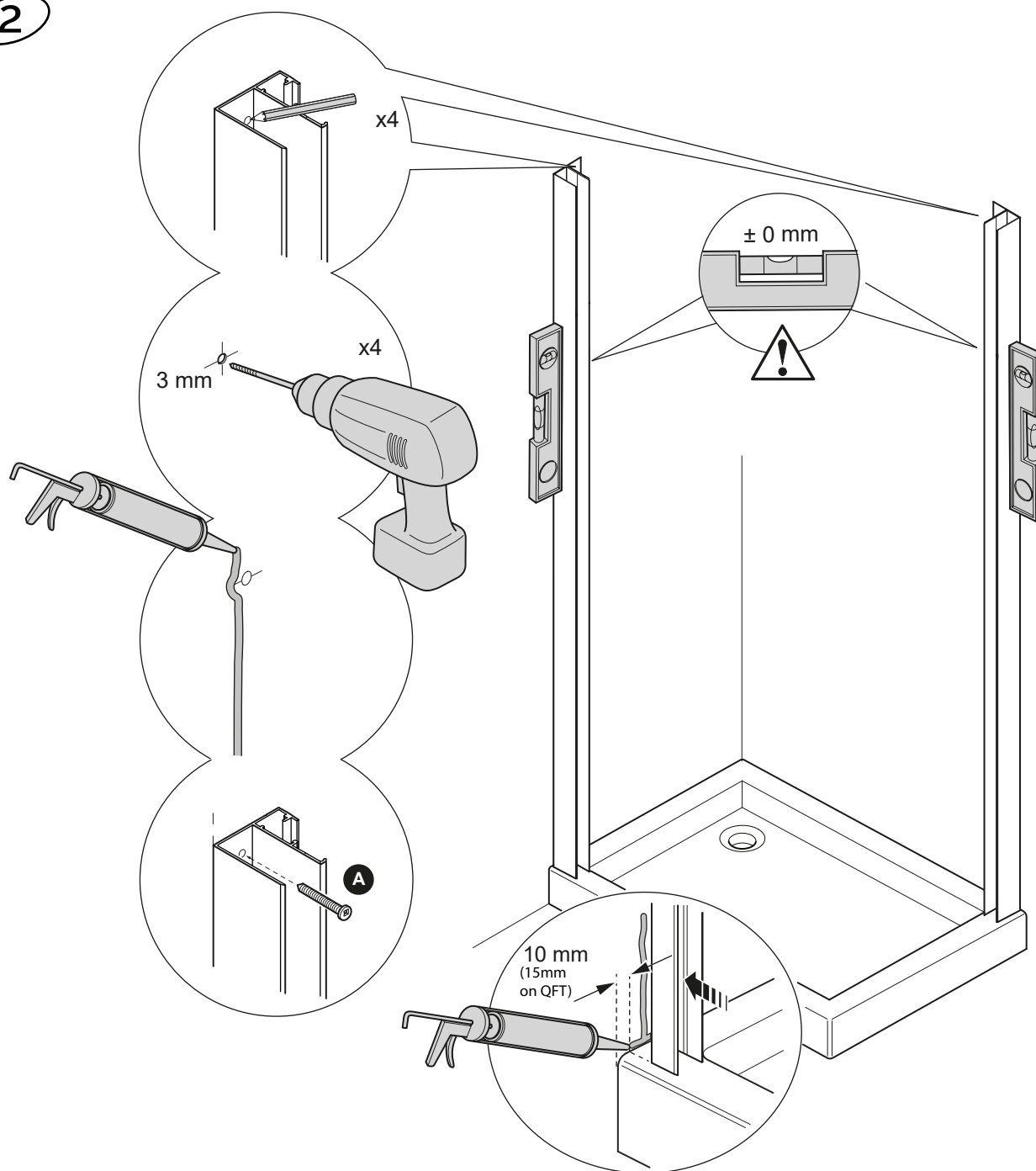
For tiled base option:

- Mark from finished wall to outer edge of retainer.

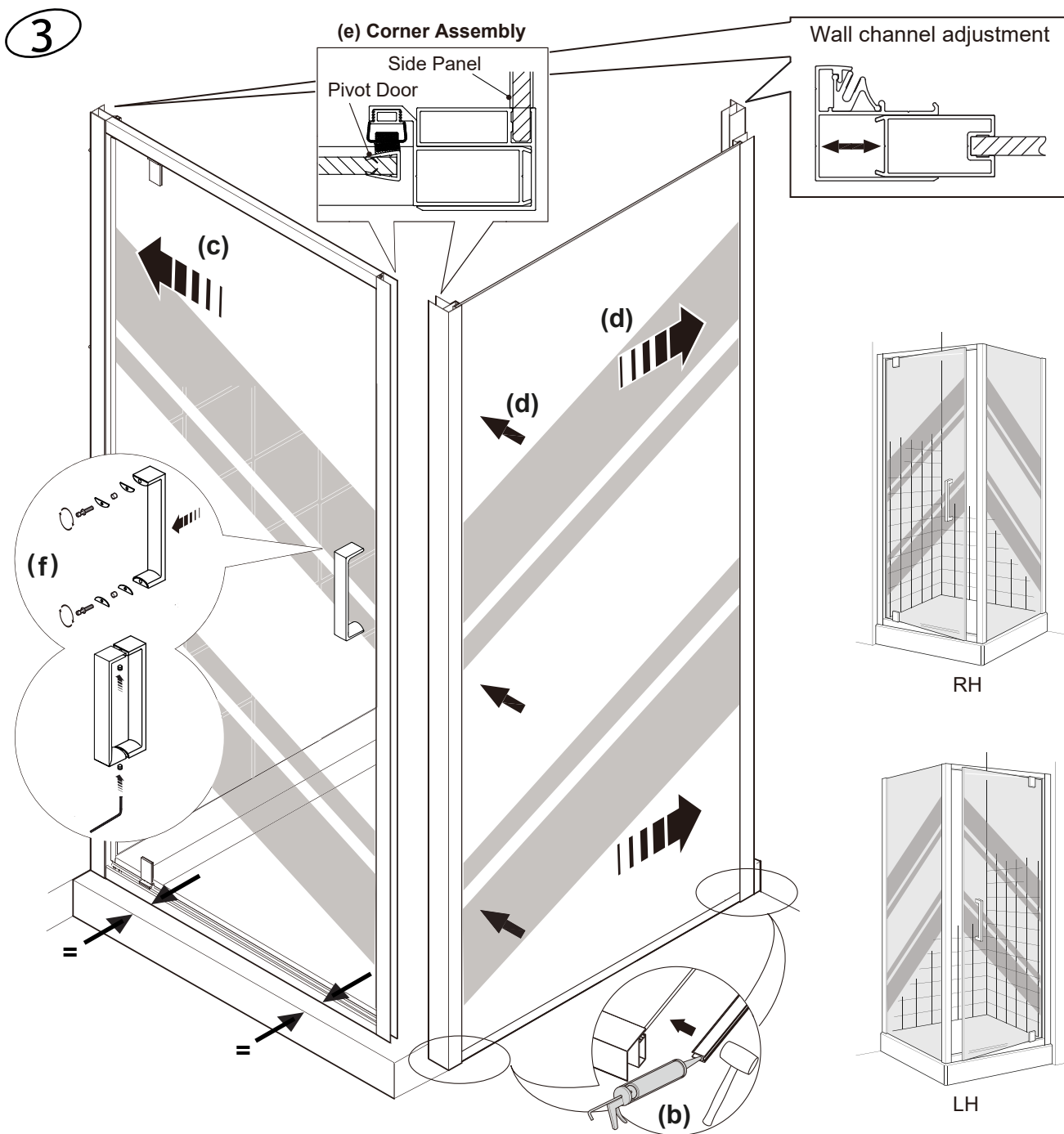
Size	A	B
750 x 900 LH	732	875
750 x 900 RH	875	732
900 x 750 LH	875	732
900 x 750 RH	732	875
900 x 900	875	875
1000 x 1000	975	975
1200 x 900 LH	1175	875
1200 x 900 RH	875	1175



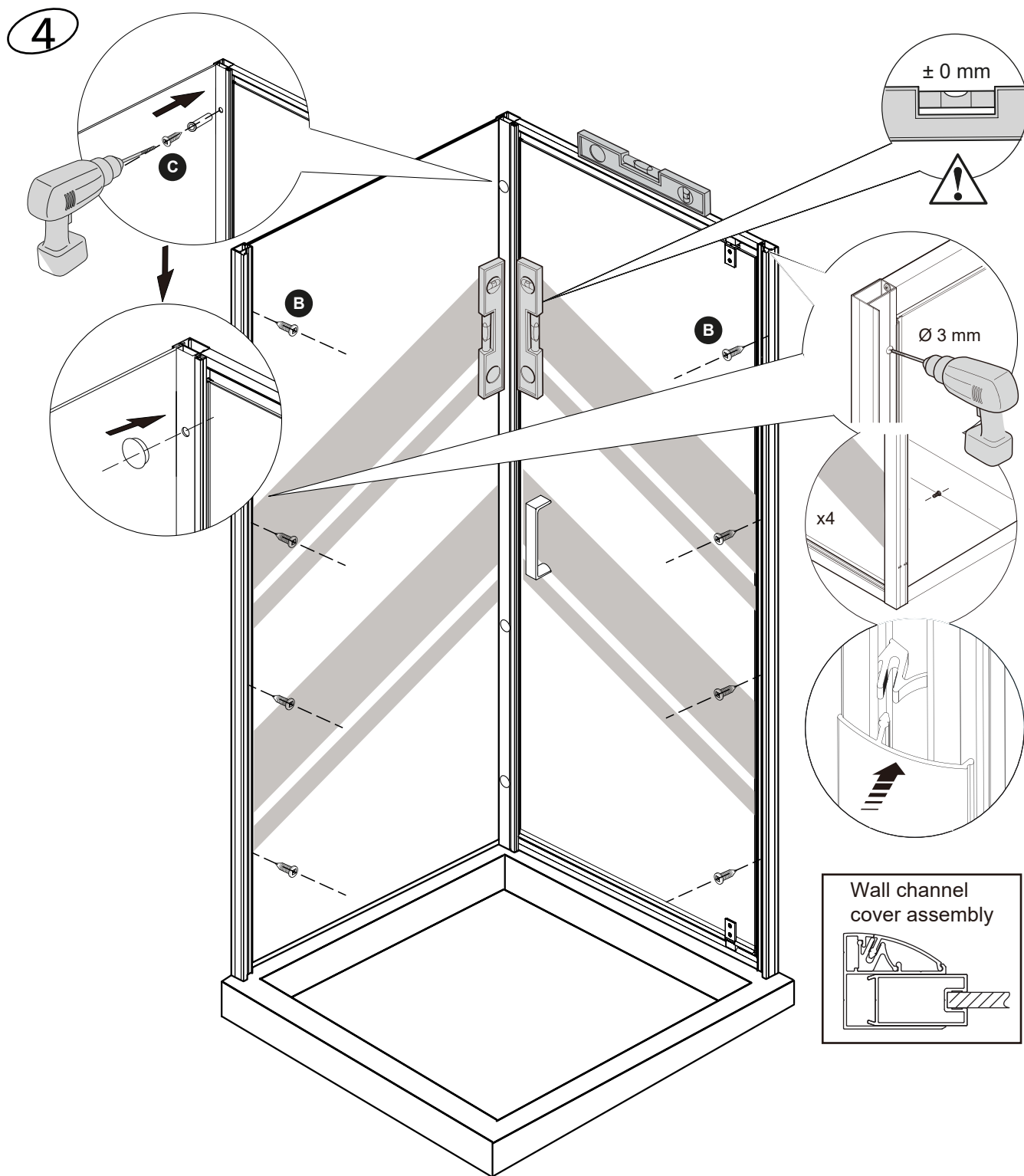
2



- (a) Position the wall channels on the wall. The flange with pre-drilled holes should face inside the shower enclosure. Using a level, make sure that the channel is upright.
- (b) Mark the position of the fixing holes down the centre of the channels, then remove the wall channels. **Note! The wall channel is not fitted at this stage.**
- (c) Drill with a 3mm bit. For other types of wall structure, alternative fixings may be required (not supplied).
- (d) Apply silicone sealant along the length of the wall and at the bottom where the wall channel will be placed, including the top of the tray.
- (e) Position the wall channels on the wall and install the fixing screws **A**.
- (f) Fully tighten the fixing screws, making sure that the wall channels remain vertical.



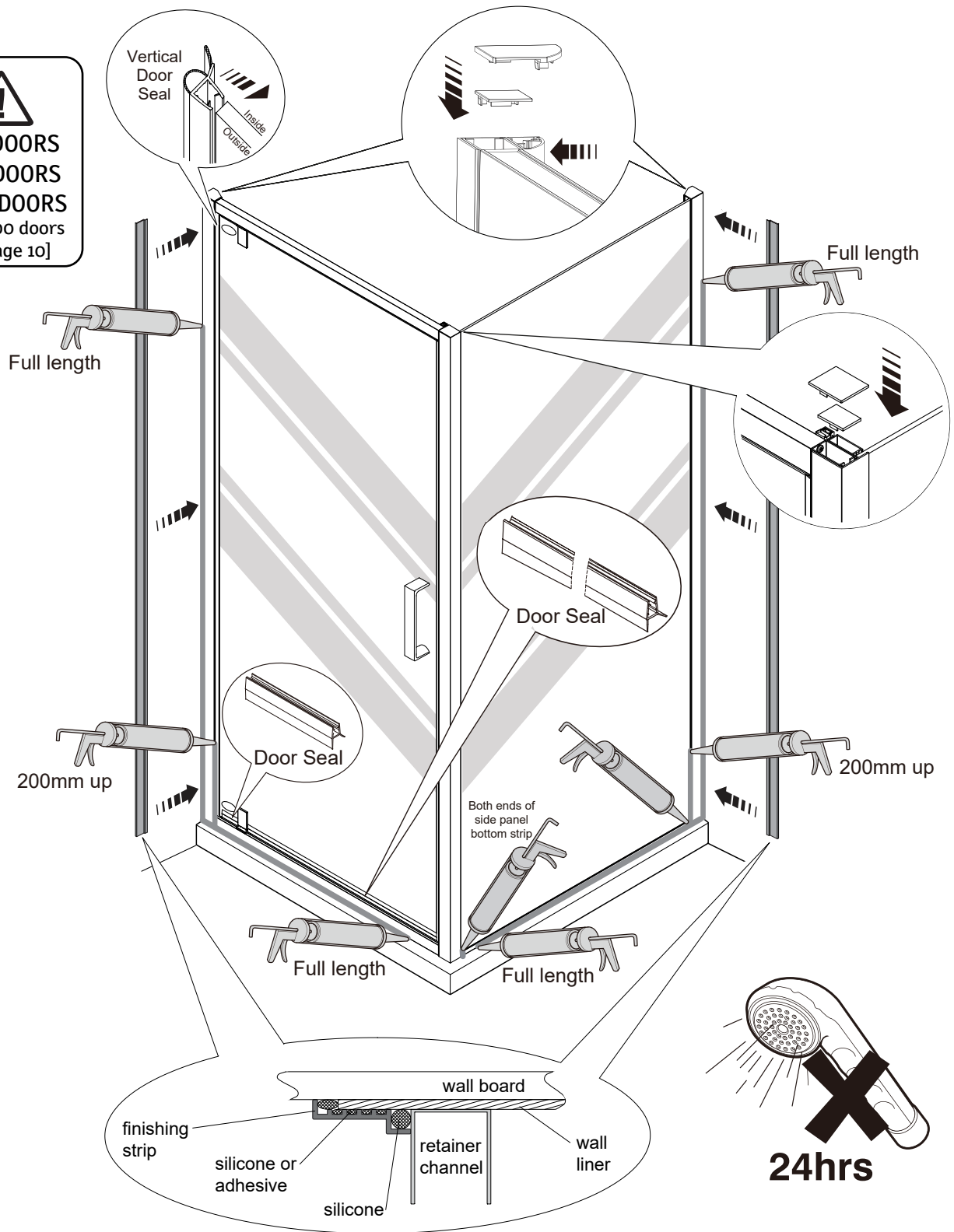
- (a) The pivot door can be either Left-Hand or Right-Hand. To change the opening, simply rotate the frame through 180° before continuing with the installation.
- (b) The door orientation denotes the direction of the side panel. Once the door is in its correct orientation, apply sealant along the full length inside the the drip strip extrusion and fit to the bottom edge of the side panel. Gently tap extrusion into place with a rubber mallet and carefully clean away any excess sealant. Silicone all channels before assembly.
- (c) Install the door frame into the wall channel.
- (d) Install the side panel into the other wall channel, and fit the corner posts together.
- (e) Make sure that the pivot door and side panel engage correctly. **Keep the corner assembly pressed together** and move the door frame and side panel in/out of the wall channels so that each panel is parallel with the edge of tray.
- (f) Install the door handle, ensuring that the grub screws are on the underside.



- (a) From the inside of the enclosure, drill four holes in the door frame through the centre marked points on the wall channel with a 3 mm HSS drill bit (not supplied).
- (b) Install and tighten the wall channel assembly screws **B**.
- (c) Repeat the process for the other wall channel.
- (d) Fit the corner covers to the wall channels. They should 'snap' into place.
- (e) Use the Screw Spacer to install screws **C** into the 4 corner post holes, then tighten.
- (f) Fit the caps into the corner post assembly to cover the screwheads.

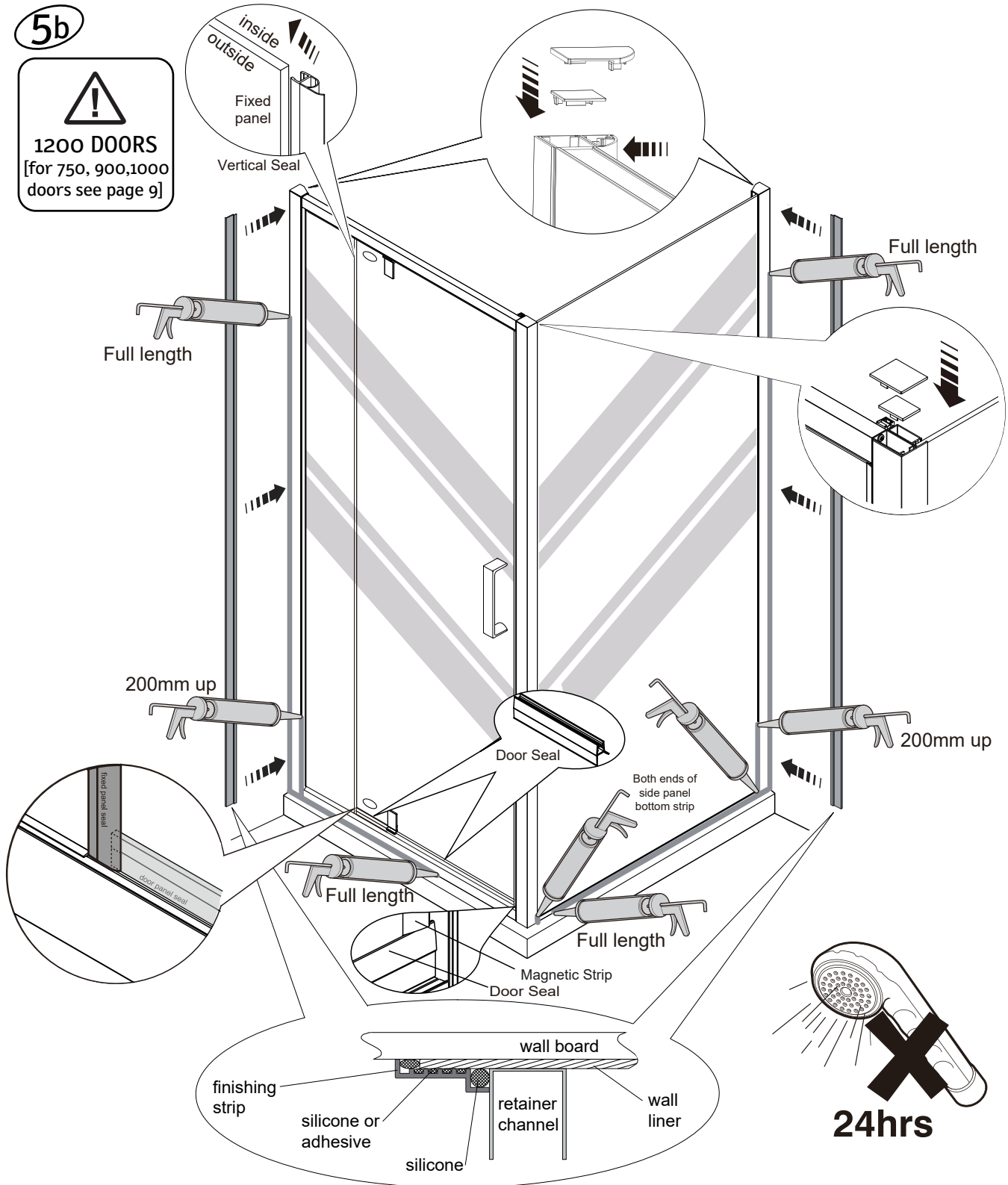
5a

!
 750 DOORS
 900 DOORS
 1000 DOORS
 [for 1200 doors see page 10]



- (a) Install the door seals onto the door.
- (b) Fit the caps to the top of the extrusions. Add silicone or modify caps to fit if required.
- (c) Apply sealant along the outside surfaces of the enclosure. Do not seal from inside.
- (d) Install the wall finishing strips, if desired.
- (e) Allow the silicone sealant to cure for 24 hours before use.

Installation complete.

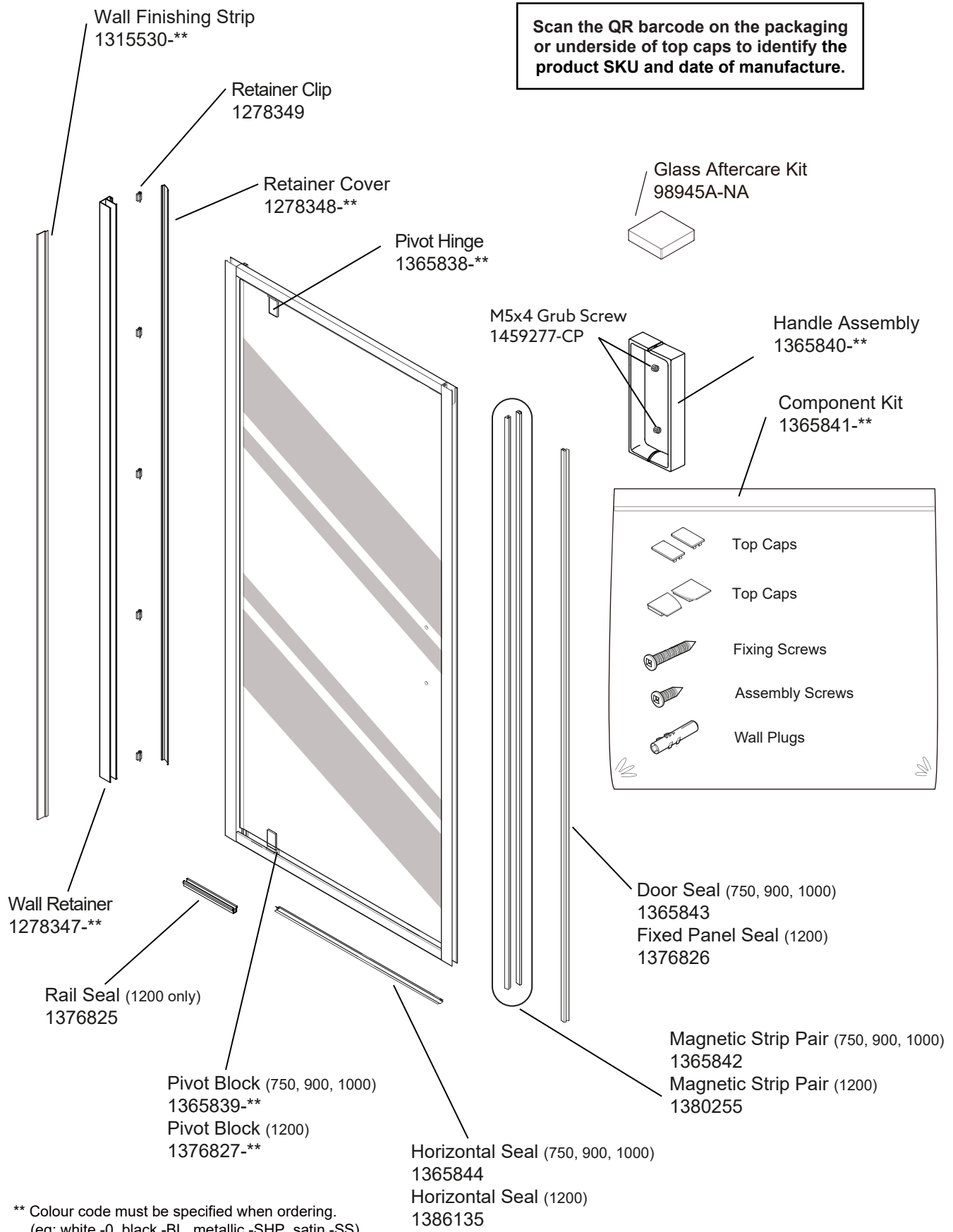


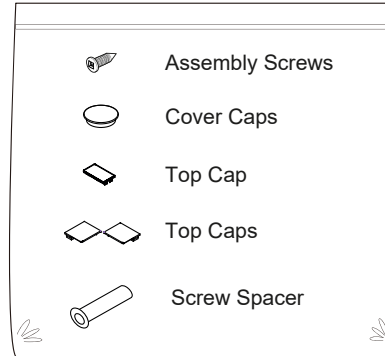
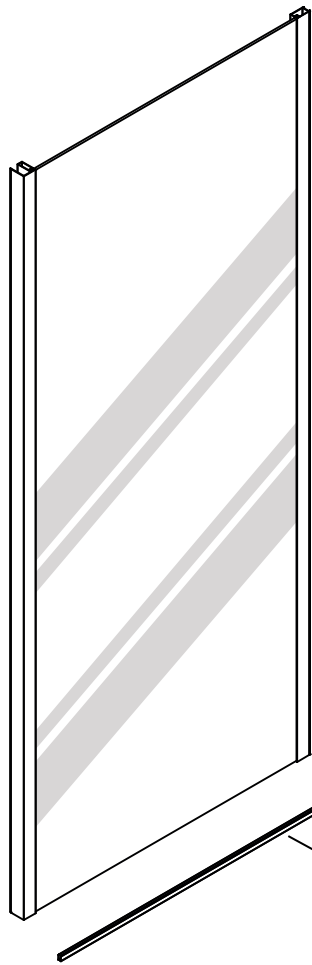
- (a) Install the vertical seal onto the fixed panel.
- (b) Install the door seals and magnetic strip onto the door panel.
- (c) Fit the caps to the top of the extrusions. Add silicone or modify caps to fit if required.
- (d) Apply sealant along the outside surfaces of the enclosure. Do not seal from inside.
- (e) Install the wall finishing strips, if desired.
- (f) Allow the silicone sealant to cure for 24 hours before use.

Installation complete.

SPARE PARTS

Scan the QR barcode on the packaging or underside of top caps to identify the product SKU and date of manufacture.





Side Panel Fittings Kit
1348297-**

Side Panel Bottom Strip 750mm
1393098-**

Side Panel Bottom Strip 900mm
1348296-**

Side Panel Bottom Strip 1000mm
1365845-**

** Colour code must be specified when ordering.
(eg: white -0, black -BL, metallic -SHP, satin -SS)

CLEANING AND MAINTENANCE INSTRUCTIONS

Please refer to our website for cleaning instructions.

CONTACT AND WARRANTY INFORMATION

NEW ZEALAND
Kohler New Zealand Limited

AUSTRALIA

0800 100 382
info@englefield.co.nz
englefield.co.nz

englefield.com

