

INSTALLATION INSTRUCTIONS



FURNITURE

SAPPHIRE Vanity

BEFORE YOU BEGIN

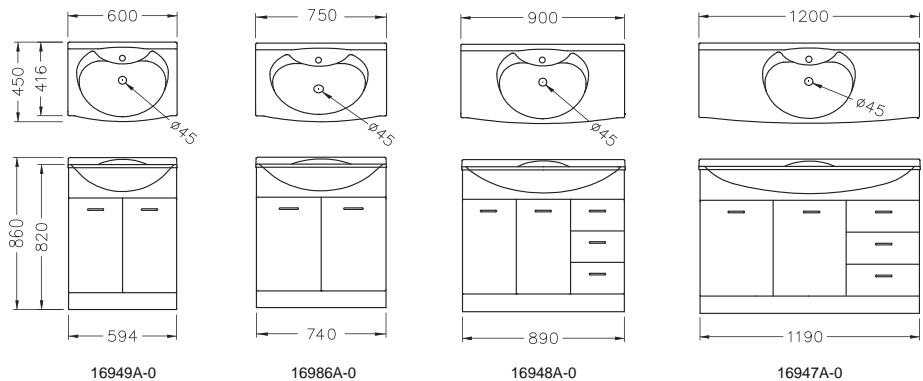
Please read these instructions carefully to familiarise yourself with the required tools, materials, and installation sequences. Follow the sections that pertain to your particular installation. This will help you avoid costly mistakes. In addition to proper installation, read all operating and safety instructions.

All information is based on the latest product information available at the time of publication. Englefield reserves the right to make changes in product characteristics, packaging, or availability at any time without notice.

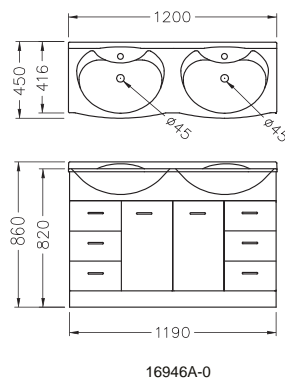
Please leave these instructions for the consumer. They contain important information.

ROUGH-IN

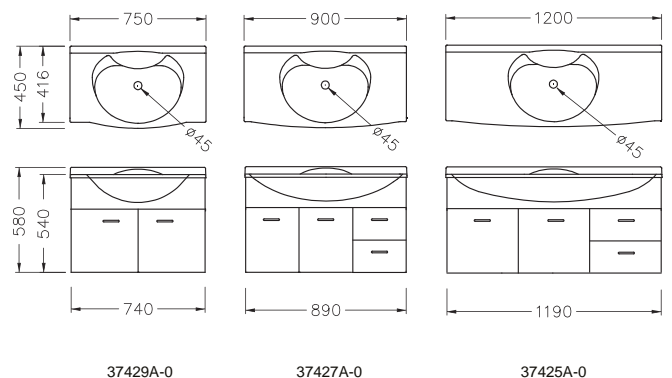
Floor Standing Models



Double Bowl Model



Wall Hanging Models



The classic design of Saphire Vanities ensures affordable quality and timeless style in a range created to suit any bathroom size.

Durastone® tops and moisture resistant exteriors ensure durability, keeping your vanity looking good even in the busiest of bathrooms.

It's the details that Englefield cares about - from pioneering the latest technology, to innovative design.

INSTALLATION

STEP 1

Prior to installation, inspect cabinet to ensure that no damage has occurred in transit.

If damage has occurred, or a visible defect exists, do not proceed with installation, and advise your supplier immediately.

On timber walls, ensure that there is frame work behind the cabinet's back rail or wall, to screw into when fixing the cabinet to the wall.

To make installation easier, remove the door(s) and drawer(s). Be sure to store them in a place where they won't get damaged!



STEP 2

Measure and mark the hole centres for pipes (water supply and waste) on the base and back panel as required.

For wall hung vanities, determine the desired height for the vanity top at this point. Between 800 and 850mm from floor to vanity top is recommended.

Ensure that there are 2 appropriate horizontal nogs in the wall to allow the vanity cabinet to be adequately fastened to the wall.

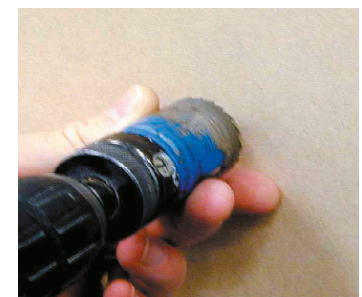


STEP 3

With a suitable sized hole saw, drill the holes for water supply and waste

Having drilled the required holes, fit the cabinet into position over the pipework.

Before proceeding to fix the cabinet into position make sure that the cabinet is sitting level and square and the floor at the selected location is flat and free of bumps and protrusions.



INSTALLATION

STEP 4

Drill holes through the back rail or wall to align with nogs the wall behind, and then fix the cabinet to the wall.

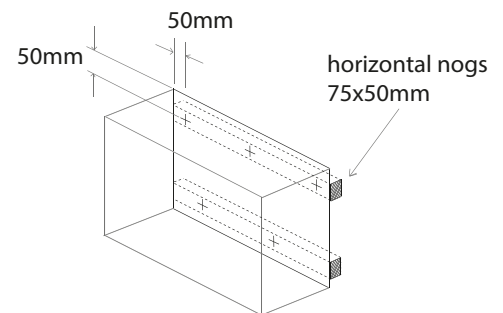
Note: Wall fixings are not supplied.

Wall hung vanities must be fastened to a 75x50 nog or stud in the wall using a minimum of 10g 75mm hex head wood screws with a 20mm washer to ensure the load is spread evenly.

A guide to the number of fasteners to use is given below.
600 wide = 5 screws, 900 wide = 7 screws, 1200 wide = 9 screws .

Screws should be positioned in a general pattern as indicated by the “+” marks in the diagram for a 600 wide vanity.

When fixing to masonry walls use appropriate masonry fasteners as a substitute for the screws.



STEP 5

Check vanity tops stability on the cabinet.
If the top is rocking slightly use wedges supplied.
Apply a continuous bead of silicone on the top edge of the cabinet.

This will ensure that the vanity top stays securely fitted to the cabinet and no water spillage will find it's way into the cabinet through the joint.

Important: Ensure no gaps are left in the sealant bead.

Note: Sealant not supplied. (Recommended sealant is Sika Silaflex NG white).



STEP 6

Unpack top and check for any damage that might have occurred in transit.

Check and confirm the fit of your selected tapware.
Place vanity top onto the cabinet ensuring that the back is flush against the wall and there is an even overhang each side of the cabinet.

Wipe off any excess sealant.



INSTALLATION

STEP 7

Fit the waste and the tapware.

Connect the water supply to the taps and waste pipe to the waste outlet.

Run hot and cold water and check for leaks.

When satisfied with the results move to step 8.



STEP 8

Refit the doors and adjust the door hinges to ensure an even clearance. Check the number printed underneath each drawer and refit them in the right order.

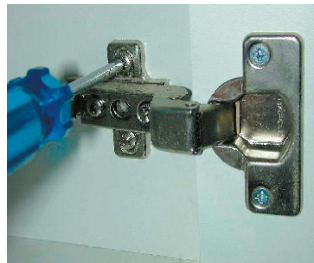
Drawer 1 is the top drawer, followed with 2 and 3 below.

Adjustment of the doors can be achieved as follows:

9a. To adjust IN or OUT



9b. To adjust UP or DOWN



9c. To adjust LEFT or RIGHT



STEP 9

All edges **MUST** be sealed with an approved Silicone Sealant.

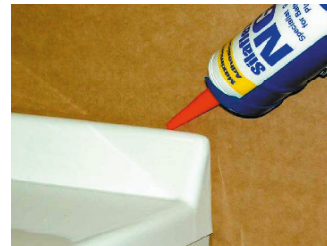
10a. Between cabinet and floor.



10b. Between cabinet and wall.



10c. Between upstand and wall.



SPARE PARTS

Drawer runner kit	1096827	Shelf pin	86931
Handle kit	1096826-CP	Outer side of hinge	1100323
Bumper dome	S000310	Door side of hinge	1100324

	600 wide	750 wide	900 wide	1200 Single bowl	1200 Double bowl
Toe kick rails	1117212-0	1117213-0	1117234-0	1117215-0	1117215-0
Acrylic aprons	1096830-0	1096831-0	1096832-0	1096833-0	1096834-0

CLEANING AND MAINTENANCE INSTRUCTIONS

All Finishes: Clean the finish with mild soap and warm water. Wipe entire surface completely dry with clean soft cloth. Many cleaners may contain chemicals, such as ammonia, chlorine, toilet cleaner etc. which could adversely affect the finish and are not recommended for cleaning.

Do not use abrasive cleaners or solvents on Englefield vanities.

In the event of light scratches in the surface of the top, a mild abrasive such as “Meguiars Mirror Glaze 28 All Metal Polish” or “3M Marine One Step Painted Aluminium Cleaner and Wax” can be used to polish them out.

CAUTION

Material used in cabinet is water resistant only, not waterproof.
Care must be taken to clean up all water spillage.

WARNING

FOR YOUR PERSONAL SAFETY AND PRODUCT DURABILITY,
ENSURE THAT HOT WATER SUPPLY IS REGULATED TO 55°C MAXIMUM

CONTACT AND WARRANTY INFORMATION

NEW ZEALAND

KOHLER NZ LTD

Free Ph: 0800 100 382

Free Fax: 0800 664 488

www.Englefield.co.nz

AUSTRALIA

KOHLER CO.

Free Ph: 1 800 228 476

www.Englefield.com

For warranty information, please visit our website

