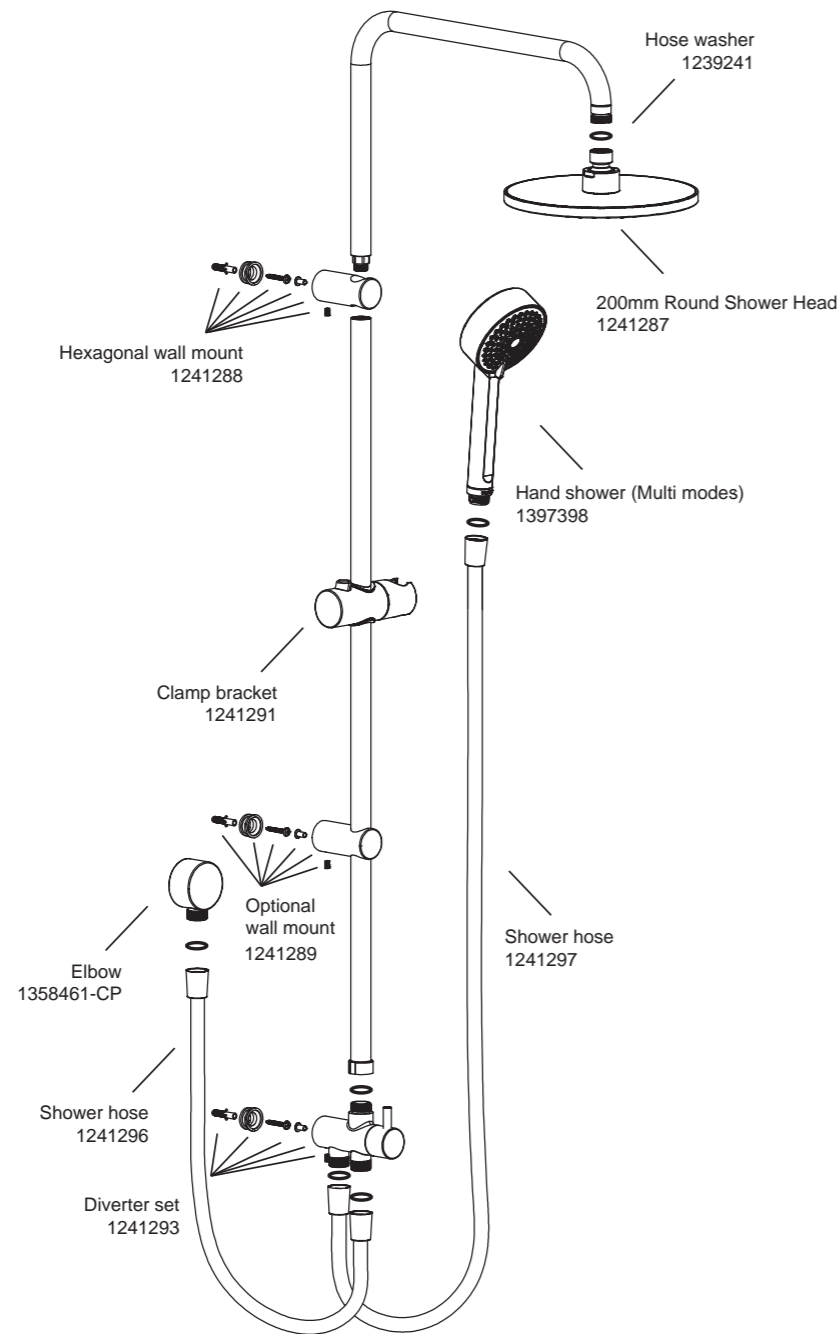


SPARE PARTS LIST



CONTACT AND WARRANTY INFORMATION

NEW ZEALAND
 KOHLER NZ LTD

Free Ph: 0800 100 382
 Free Fax: 0800 664 488
 www.Englefield.co.nz

AUSTRALIA
 KOHLER AUSTRALIA

Free Ph: 1 800 ENGLEFIELD
 (1 800 364 533)
 www.Englefield.com



Trusted in New Zealand Since 1982

INSTALLATION INSTRUCTIONS



Trusted in New Zealand Since 1982

TAPWARE

STUDIO Dual Rain Shower 5625A-VS-CP



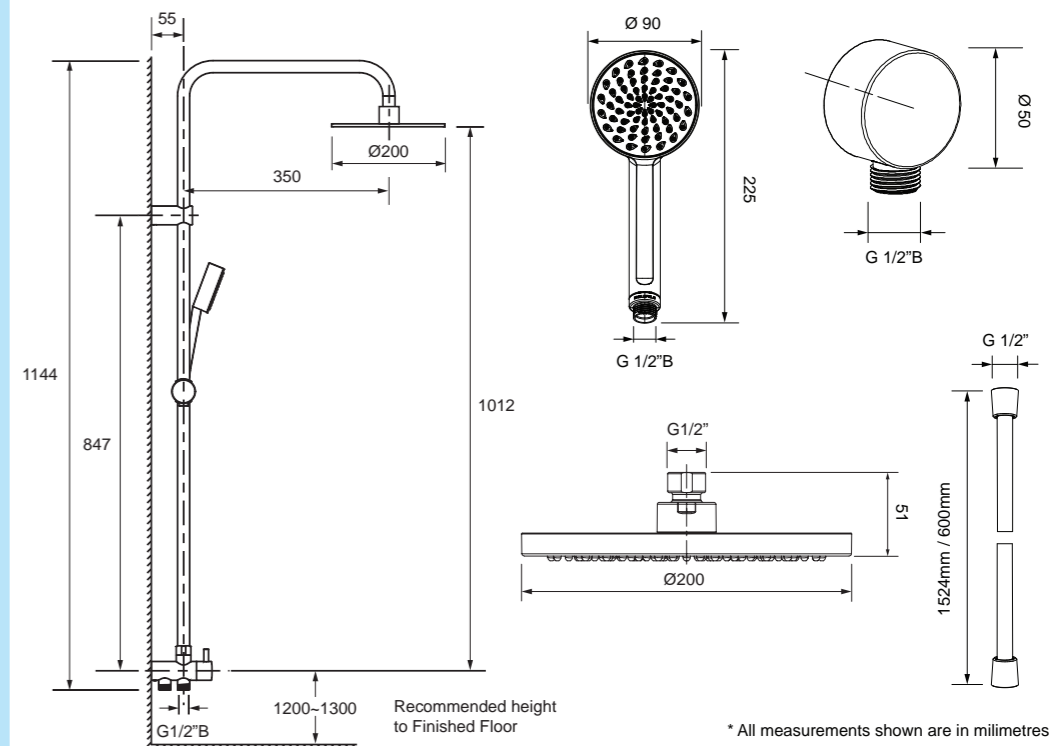
BEFORE YOU BEGIN

All information is based on the latest product information available at the time of publication. Englefield reserves the right to make changes in product characteristics, packaging, or availability at any time without notice.

Please leave this installation instructions guide for the consumer. It contain important information.

1. Flush the water supply pipes thoroughly to remove debris.
2. An in-line filter must be used with this product.
3. The highest working pressure for the hand shower and the overhead shower is 500kPa. If it exceeds 500kPa, a pessure limiting valve must be fitted.
4. The operating temperature of hand shower and the overhead shower is from 10°C to 70°C. NZ building code G12 requires that maximum hot water temperature at any sanitary fixture used for personal hygiene shall not exceed either 45°C or 55°C. If so, a tempering valve must be installed.
5. This shower is intended for high/mains pressure installations. It may not be suitable for use with gravity-fed water heaters, low and unequal pressure supplies.
6. All installations should comply with local plumbing codes and the relevant requirements of AS/NZS 3500 and AS/NZS 6400.

ROUGH-IN DIMENSIONS



INSTALLATION

How to Install the Shower Column & Elbow

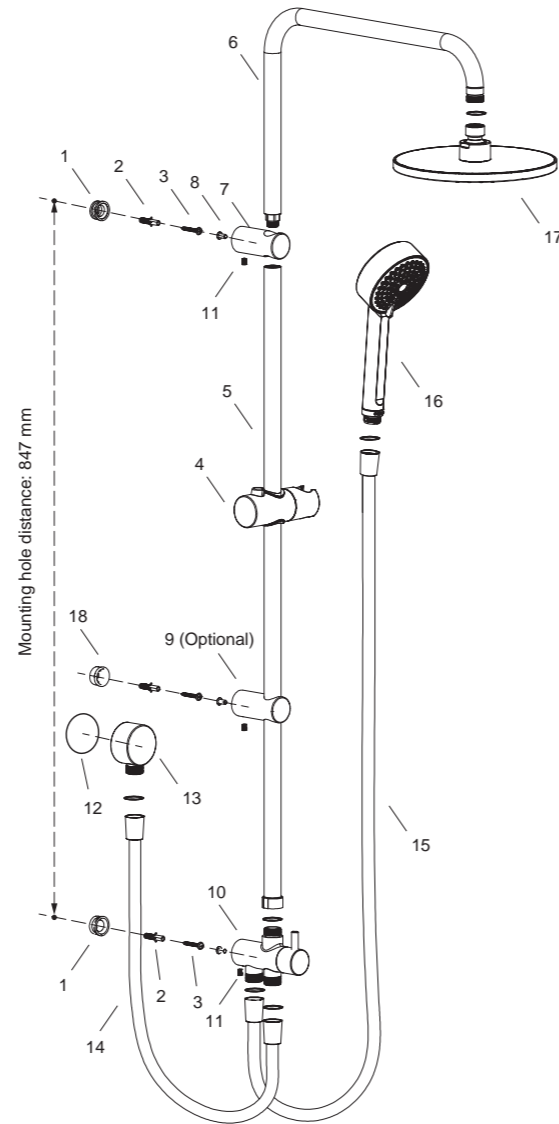
1. Select a location on a vertical wall to install shower column according to rough-in dimensions.

Note: The column must be fixed to timber studs or nogs in the wall.

2. Mark the position of top & bottom wall fixing holes on the wall (**Distance: 847mm apart**) and then drill a hole at both positions.

Note: Minimum 350mm clearance from ceiling to top mounting position.

3. Fix mounting brackets (1) to the wall with screw set (2 & 3). Align slot in the top mounting bracket horizontally and bottom mounting bracket vertically.
4. **OPTIONAL FOR RETRO-FIT:** Insert support (9) onto the lower tube (5) if required to cover undesired mounting hole from a previous installation. Install its mounting bracket (18) to the wall accordingly.
4. Slide the clamp bracket (4) onto the lower tube (5) and adjust it to the centre of the lower tube.
5. Screw the lower tube (5) into top tube (6) through top support (7) and tighten with screw (8) inside of the top support. Connect diverter (10) to shower column.
6. Attach the shower column to the mounting brackets (1) and tighten grub screws (11) to hold in place.
7. Fit O-ring (12) into groove in the base of elbow (13) and then screw it to G1/2" B water supply nipple (not supplied) until the back surface of the elbow touches the finished wall. Ensure the outlet of the elbow faces down.
8. Connect water supply hose (600mm length) (14) to FRONT INLET of the diverter and to the elbow (13).
9. Connect hand shower hose (1500mm length) (15) to BACK OUTLET of the diverter and to hand shower (16).
10. Attach overhead shower (17) to the top tube.



INSTALLATION CHECKOUT

NB: The shower can be operated in two modes, i.e. Hand Shower or Overhead Shower mode.

1. Ensure that all connections are tight.
2. Turn on the main water supply and check for leaks. Repair as needed.
3. Switch the diverter to Hand Shower mode.
4. Disconnect the hand shower from the shower hose and then turn on the shower mixer for minimum one minute to flush any residual debris from the lines.
5. Check and clean filter washers as necessary. Reinstall the shower hose back to the hand shower and the elbow.
6. Adjust the height of hand shower by sliding the clamp bracket up or down.
7. Switch the diverter to Overhead Shower mode.
8. Disconnect the overhead shower from the top tube and then turn on the shower mixer for minimum one minute to flush any residual debris from the lines.
9. Check and clean filter washers as necessary. Reinstall the overhead shower back to the top tube.

CLEANING INSTRUCTIONS

Clean all finishes with mild soap and warm water. Wipe entire surface completely dry with a clean soft cloth. Many cleaners may contain such chemicals as ammonia, chlorine, toilet chemicals etc, which could adversely affect the finish and are not recommended for cleaning.

Do not use abrasive cleaners or solvents on Englefield fittings.